



US00D689486S

(12) **United States Design Patent**
O'Donnell et al.

(10) **Patent No.:** **US D689,486 S**

(45) **Date of Patent:** **** Sep. 10, 2013**

(54) **DISC JOCKEY CONTROLLER FOR A
TABLET COMPUTER**

(75) Inventors: **John E. O'Donnell**, Ft. Lauderdale, FL
(US); **Eric M. Mott**, Providence, RI
(US); **Paul C. Williamson**, Providence,
RI (US)

(73) Assignee: **inMusic Brands, Inc.**, Cumberland, RI
(US)

(**) Term: **14 Years**

(21) Appl. No.: **29/413,994**

(22) Filed: **Feb. 23, 2012**

(51) **LOC (9) Cl.** **14-02**

(52) **U.S. Cl.**
USPC **D14/388**; D14/217; D14/434

(58) **Field of Classification Search**
USPC D14/356, 388, 399, 400, 402, 408,
D14/432, 433, 439, 454, 299, 217, 401, 434,
D14/440; D21/324, 333; 700/94, 1; 84/602,
84/615; 381/119

See application file for complete search history.

(56) **References Cited**

U.S. PATENT DOCUMENTS

| | | | | |
|--------------|---------|---------------------|-------|---------|
| D385,854 S * | 11/1997 | Sumii | | D14/399 |
| D395,285 S * | 6/1998 | Allon | | D14/388 |
| D430,617 S * | 9/2000 | Shimoide | | D21/324 |
| D500,307 S * | 12/2004 | Ishizaki | | D14/217 |
| D553,118 S * | 10/2007 | Williamson et al. | | D14/168 |
| D553,608 S * | 10/2007 | Williamson et al. | | D14/168 |
| D555,148 S * | 11/2007 | Mittersinker et al. | | D14/217 |
| D591,720 S * | 5/2009 | Motoishi | | D14/168 |
| D602,914 S * | 10/2009 | Williamson et al. | | D14/217 |
| D605,604 S * | 12/2009 | El-Kiss | | D13/163 |
| D615,595 S * | 5/2010 | Williamson et al. | | D21/328 |
| D615,993 S * | 5/2010 | Ho | | D14/496 |
| D624,053 S * | 9/2010 | Williamson et al. | | D14/217 |

| | | | | |
|-------------------|---------|-------------------|-------|---------|
| D636,013 S * | 4/2011 | Shin et al. | | D17/1 |
| D648,324 S * | 11/2011 | Medas | | D14/217 |
| D654,077 S * | 2/2012 | Radin et al. | | D14/434 |
| 8,153,881 B2 * | 4/2012 | Coppard et al. | | 84/615 |
| D665,778 S * | 8/2012 | Langlois | | D14/217 |
| D666,172 S * | 8/2012 | Iijima et al. | | D14/217 |
| D666,173 S * | 8/2012 | Iijima et al. | | D14/217 |
| D668,709 S * | 10/2012 | Williamson et al. | | D17/1 |
| D678,249 S * | 3/2013 | Kuramoto | | D14/217 |
| D678,250 S * | 3/2013 | O'Donnell et al. | | D14/217 |
| D678,287 S * | 3/2013 | Hsu et al. | | D14/434 |
| 2006/0221776 A1 * | 10/2006 | Roman et al. | | 369/1 |
| 2007/0280489 A1 * | 12/2007 | Roman et al. | | 381/119 |
| 2008/0046098 A1 * | 2/2008 | Corbin et al. | | 700/1 |
| 2012/0144977 A1 * | 6/2012 | Morrissey et al. | | 84/602 |
| 2013/0123961 A1 * | 5/2013 | Roman et al. | | 700/94 |

* cited by examiner

Primary Examiner — Deanna L Fluegeman

(74) *Attorney, Agent, or Firm* — Finnegan, Henderson,
Farabow, Garrett and Dunner, LLP

(57) **CLAIM**

The ornamental design for a disc jockey controller for a tablet computer, as shown and described.

DESCRIPTION

FIG. 1 is a top, front, and right side perspective view of an embodiment of a disc jockey controller for a tablet computer showing our new design;

FIG. 2 is a front elevation view thereof;

FIG. 3 is a rear elevation view thereof;

FIG. 4 is a top view thereof;

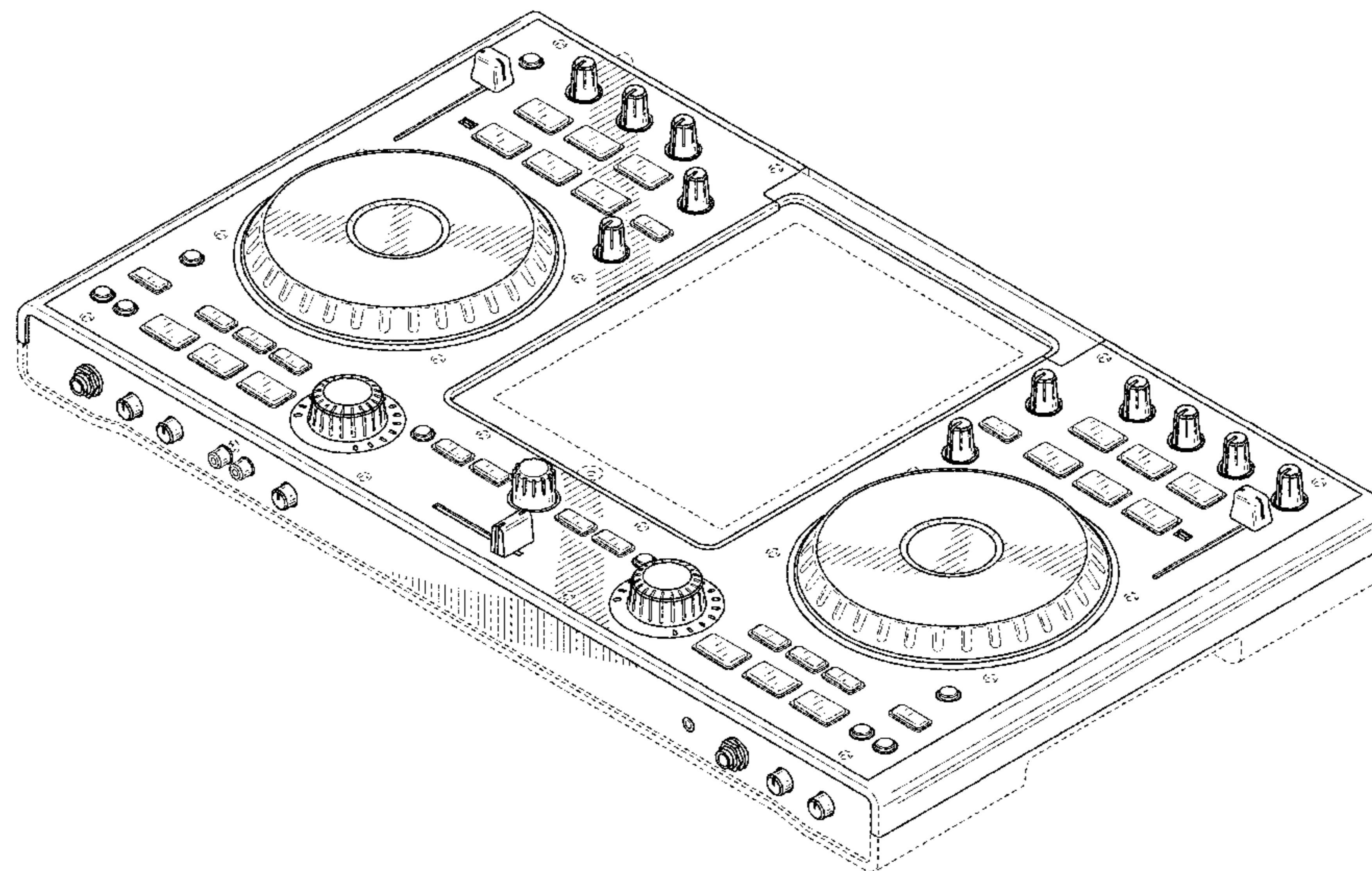
FIG. 5 is a bottom view thereof;

FIG. 6 is a left side elevation view thereof; and,

FIG. 7 is a right side elevation view thereof.

The tablet computer in the dock, bottom and rear panels, and screws and connectors depicted in broken lines are for environmental purposes only and form no part of the claimed design.

1 Claim, 6 Drawing Sheets



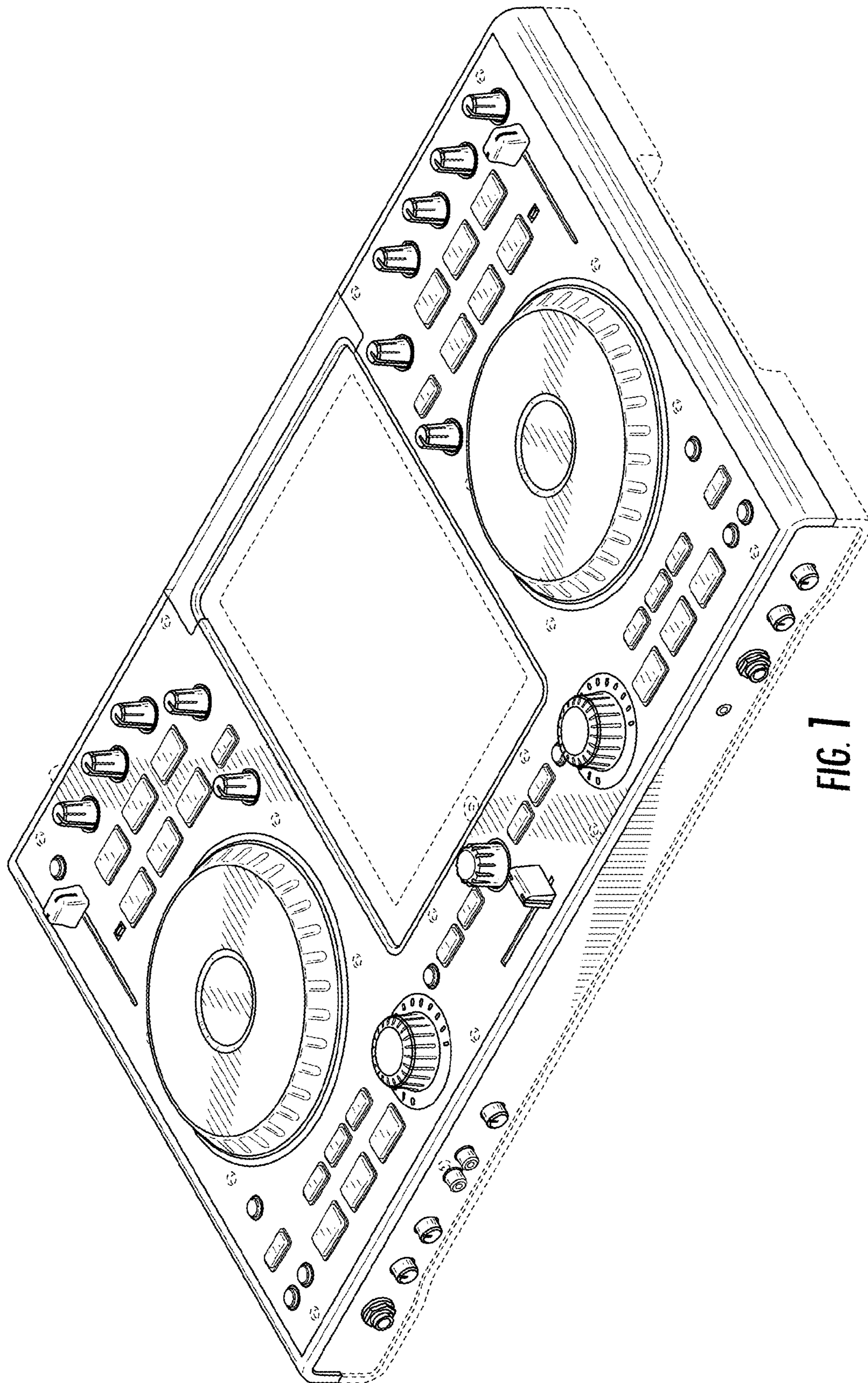


FIG. 1

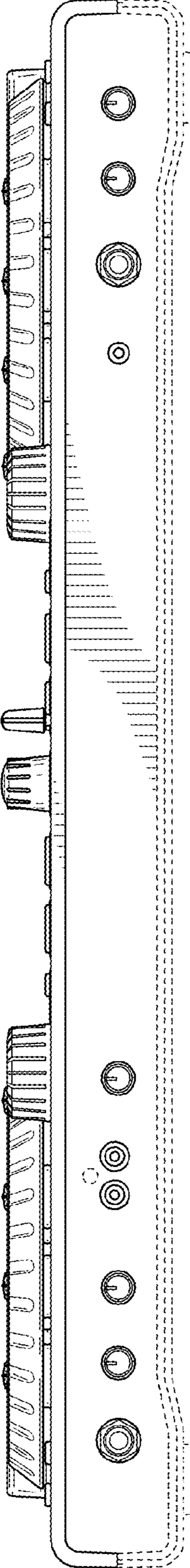


FIG. 2

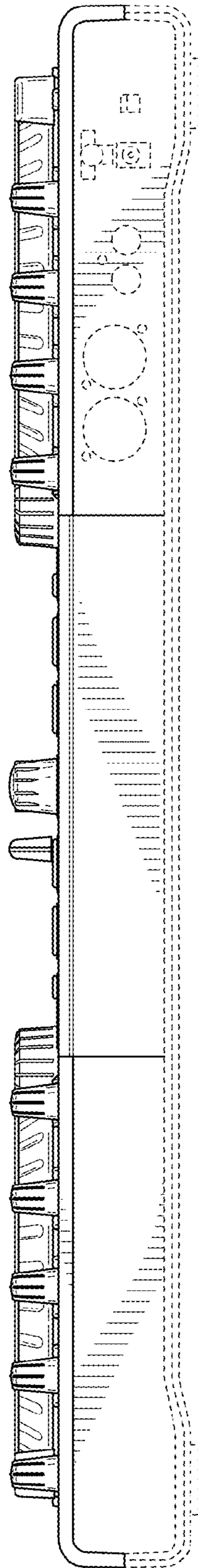


FIG. 3

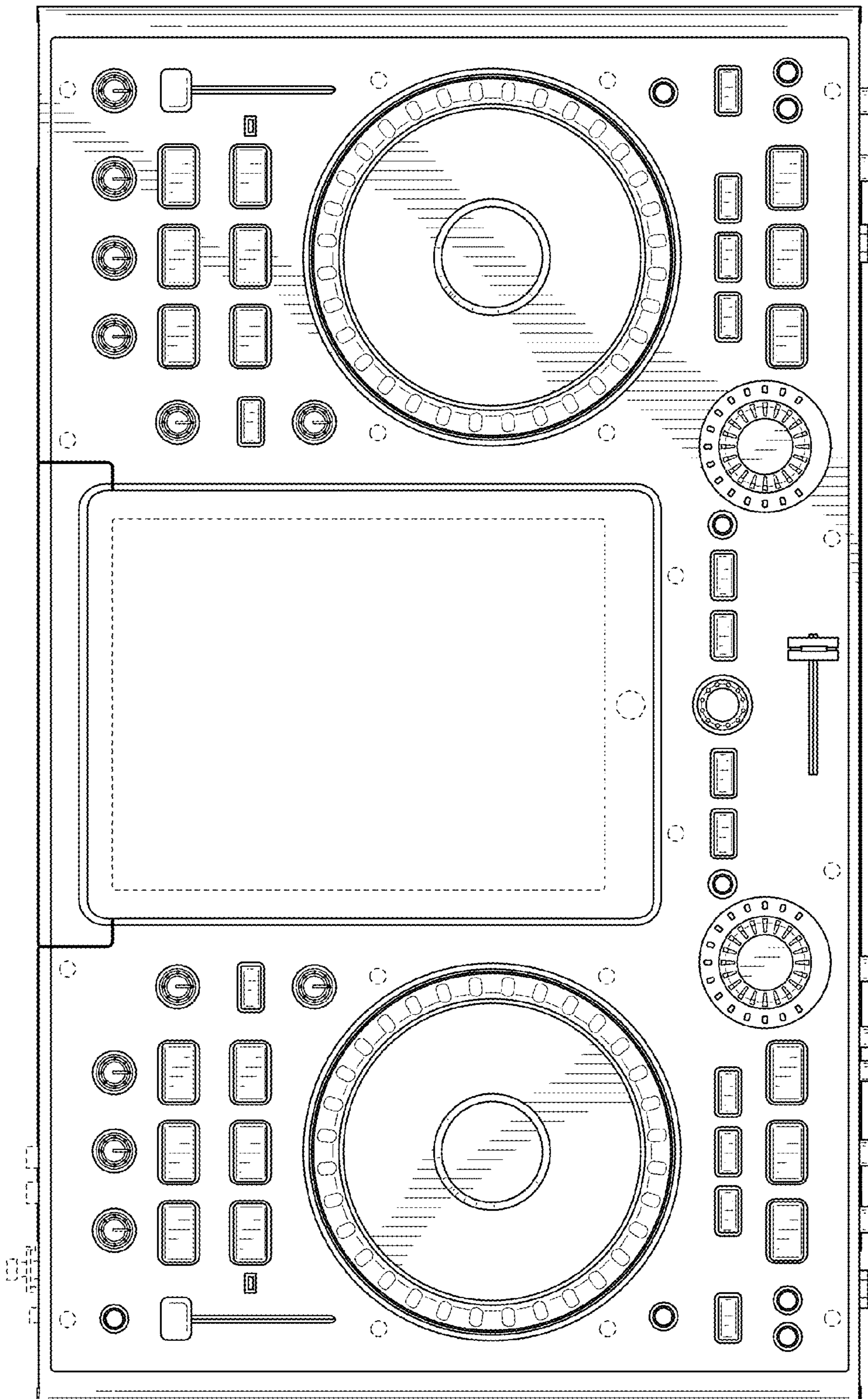


FIG. 4

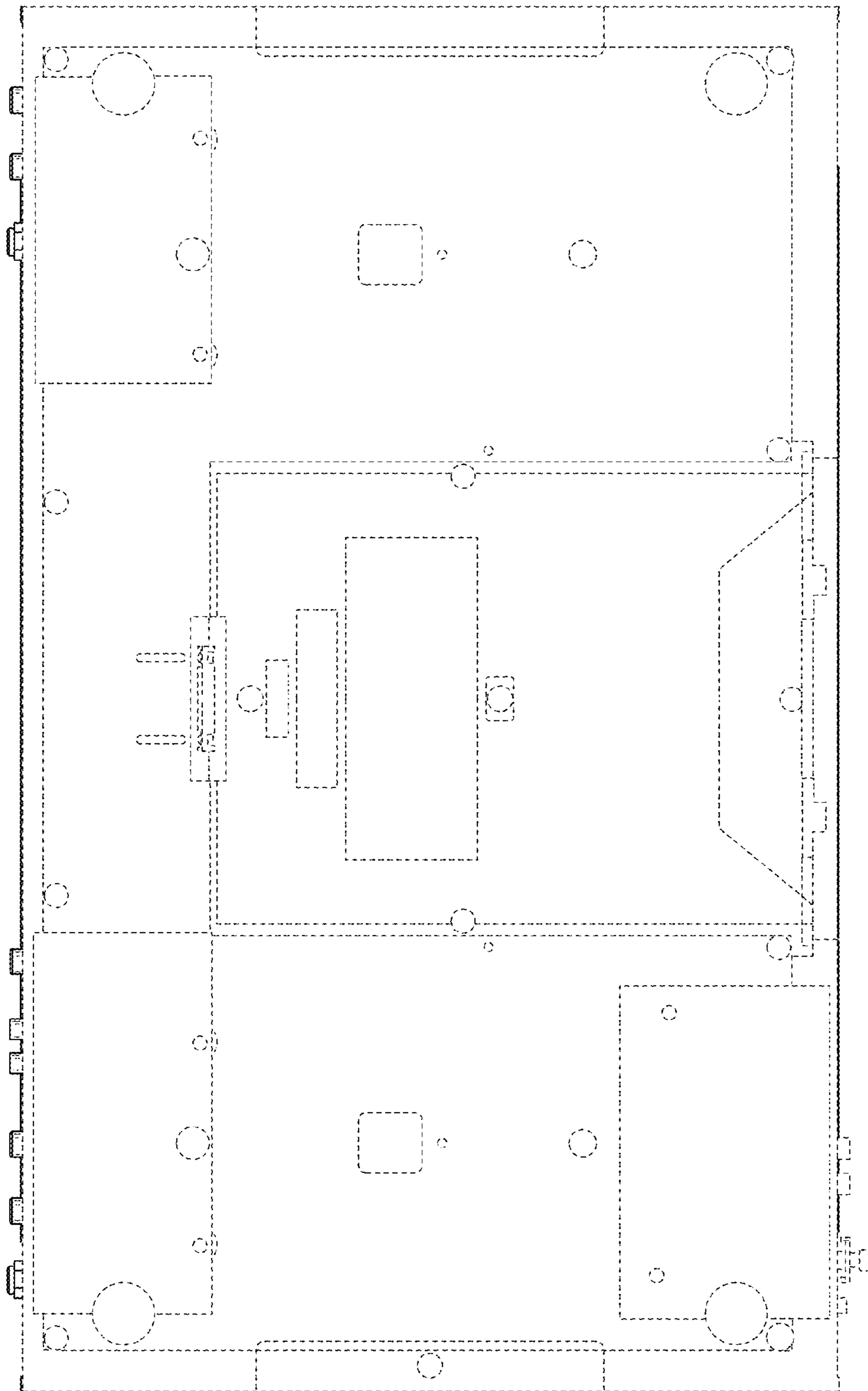


FIG. 5

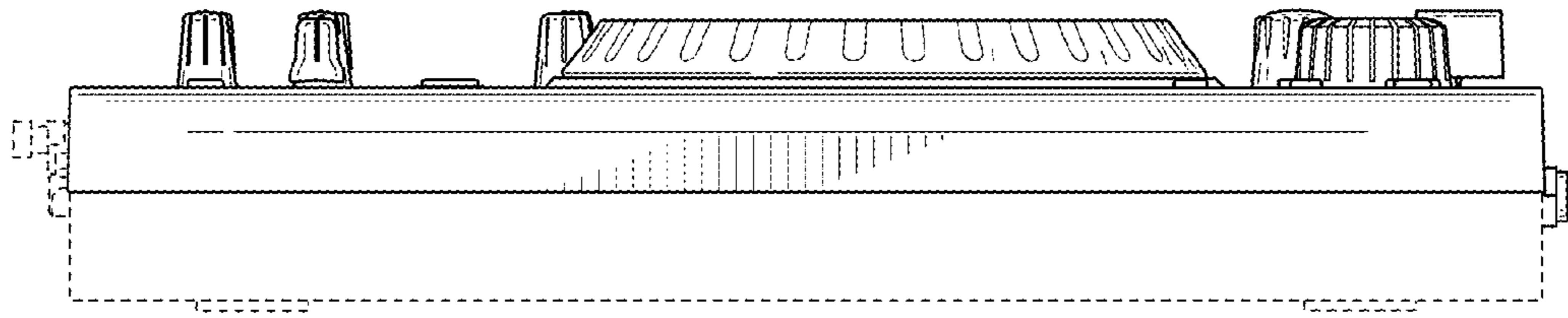


FIG. 6

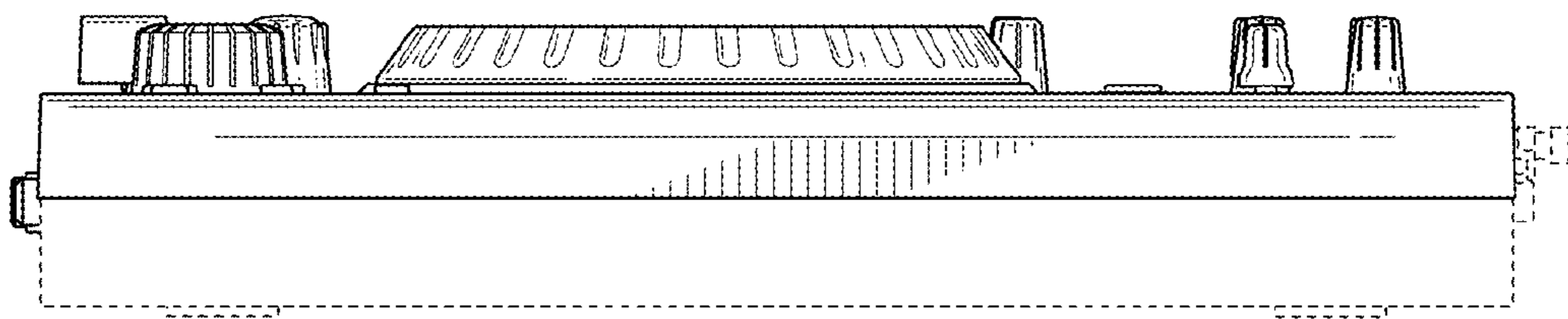


FIG. 7