



US00D689485S

(12) **United States Design Patent**
Chong et al.

(10) **Patent No.:** **US D689,485 S**

(45) **Date of Patent:** **** Sep. 10, 2013**

(54) **OPTICAL DISC DRIVE**

(75) Inventors: **Yuonui Chong**, Seoul (KR); **Byungmu Huh**, Seoul (KR); **Mikyung Kim**, Seoul (KR)

(73) Assignee: **LG Electronics Inc.**, Seoul (KR)

(**) Term: **14 Years**

(21) Appl. No.: **29/418,999**

(22) Filed: **Apr. 24, 2012**

(30) **Foreign Application Priority Data**

Nov. 3, 2011 (KR) 30-2011-0046234

(51) **LOC (9) Cl.** **14-02**

(52) **U.S. Cl.**
USPC **D14/366**

(58) **Field of Classification Search**
USPC D14/319–321, 348, 356–368, 498,
D14/501–503, 510; 720/601–614, 617–644,
720/646, 655–656
See application file for complete search history.

(56) **References Cited**

U.S. PATENT DOCUMENTS

D412,905	S	*	8/1999	Miyazaki et al.	D14/502
D426,221	S	*	6/2000	Shindo	D14/502
D491,940	S	*	6/2004	Narita	D14/368
D492,698	S	*	7/2004	Tsai	D14/203.7
D530,695	S	*	10/2006	Park	D14/502
D532,786	S	*	11/2006	Iseki	D14/365
D556,211	S	*	11/2007	Howard	D14/496
D574,360	S	*	8/2008	Matsuoka	D14/168
D576,581	S	*	9/2008	Son et al.	D14/502
D577,020	S	*	9/2008	Park	D14/363
7,421,717	B2	*	9/2008	Kuo et al.	720/619
D587,267	S	*	2/2009	Wang	D14/356
D590,395	S	*	4/2009	Heggland	D14/363
D590,827	S	*	4/2009	Song	D14/356
D595,736	S	*	7/2009	Son et al.	D14/502

D609,701	S	*	2/2010	Hou	D14/240
D613,309	S	*	4/2010	Cho et al.	D14/502
D620,006	S	*	7/2010	Bull	D14/356
D625,722	S	*	10/2010	Park	D14/365
D641,365	S	*	7/2011	Lee et al.	D14/368
D642,173	S	*	7/2011	Lee et al.	D14/365
D644,222	S	*	8/2011	Woo et al.	D14/365
D645,466	S	*	9/2011	Woo et al.	D14/365
D646,272	S	*	10/2011	Woo et al.	D14/365
D647,896	S	*	11/2011	Chen et al.	D14/314
D654,917	S	*	2/2012	Chaturvedi et al.	D14/358
D660,809	S	*	5/2012	Kern Koskela et al.	D13/168
D664,130	S	*	7/2012	Lee	D14/240
2003/0123376	A1	*	7/2003	Inatani et al.	369/270

OTHER PUBLICATIONS

LG GP60NB50 Super-Multi Portable USB power DVD Rewriter [GP60NB50]—\$82.80, [online] Feb. 25, 2013 [retrieved on Jun. 18, 2013]. Retrieve from the Internet <URL: <http://einfo.co.nz/shop/lg-gp60nb50-supermulti-portable-usb-power-dvd-rewriter-p-27760.html>>.*

* cited by examiner

Primary Examiner — Karen E Kearney

(74) *Attorney, Agent, or Firm* — Morgan, Lewis & Bockius LLP

(57) **CLAIM**

The ornamental design for an optical disc drive, as shown and described.

DESCRIPTION

FIG. 1 is a front, right side, perspective view of an optical disc drive showing our new design; FIG. 2 is a front view thereof; FIG. 3 is a rear view thereof; FIG. 4 is a left side view thereof; FIG. 5 is a right side view thereof; FIG. 6 is a top view thereof; and, FIG. 7 is a bottom view thereof.

1 Claim, 5 Drawing Sheets

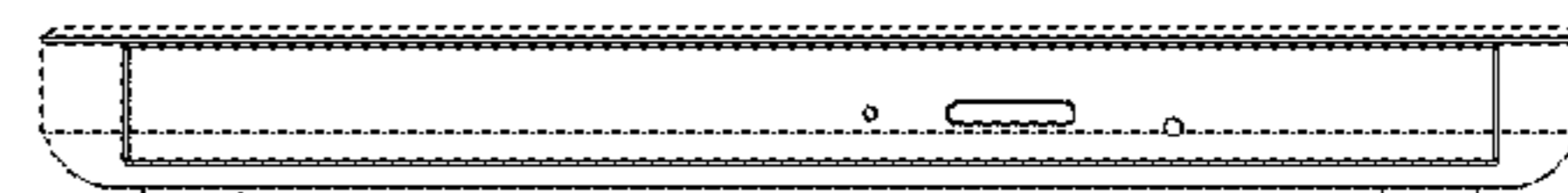
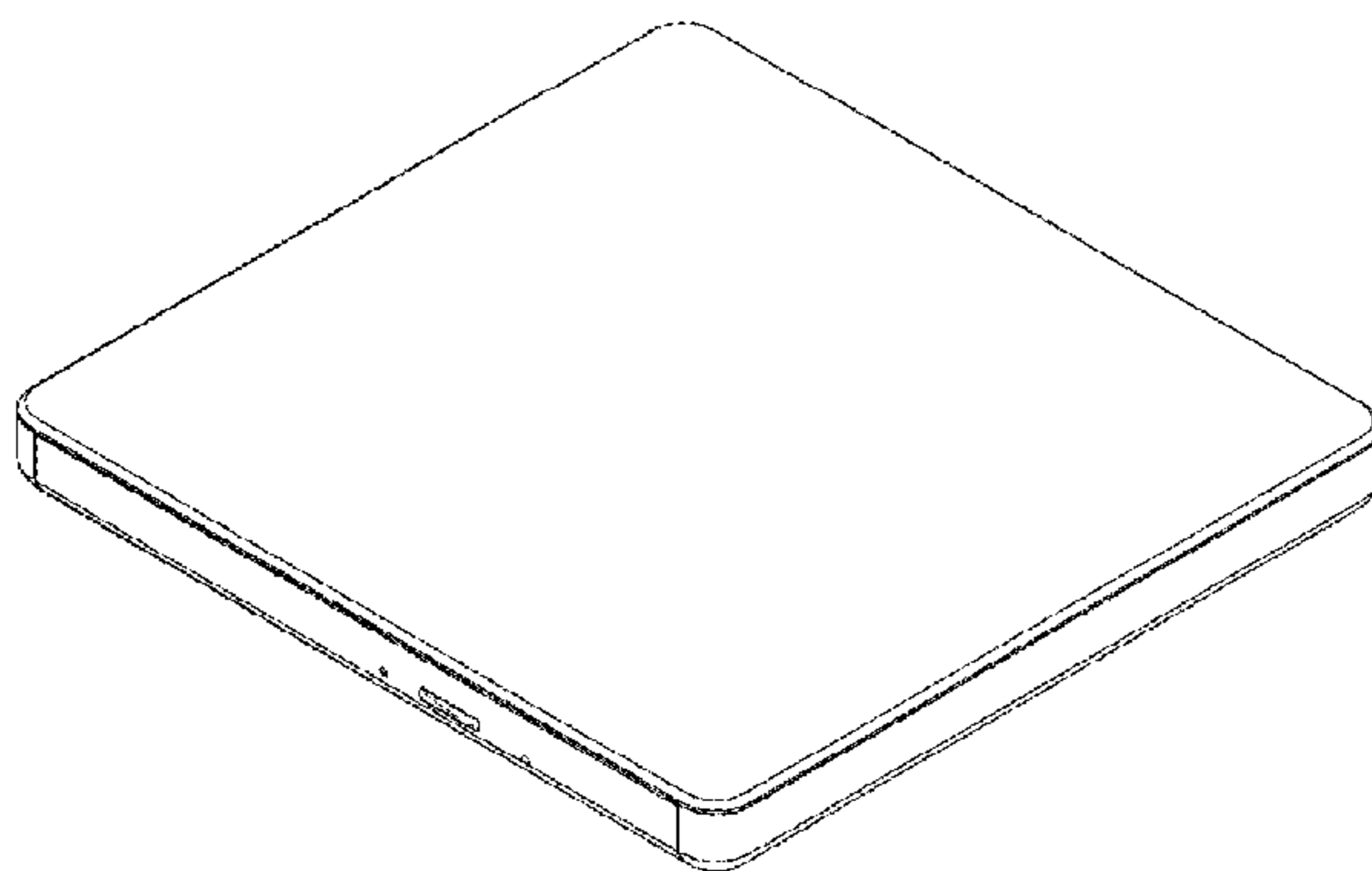


FIG. 1

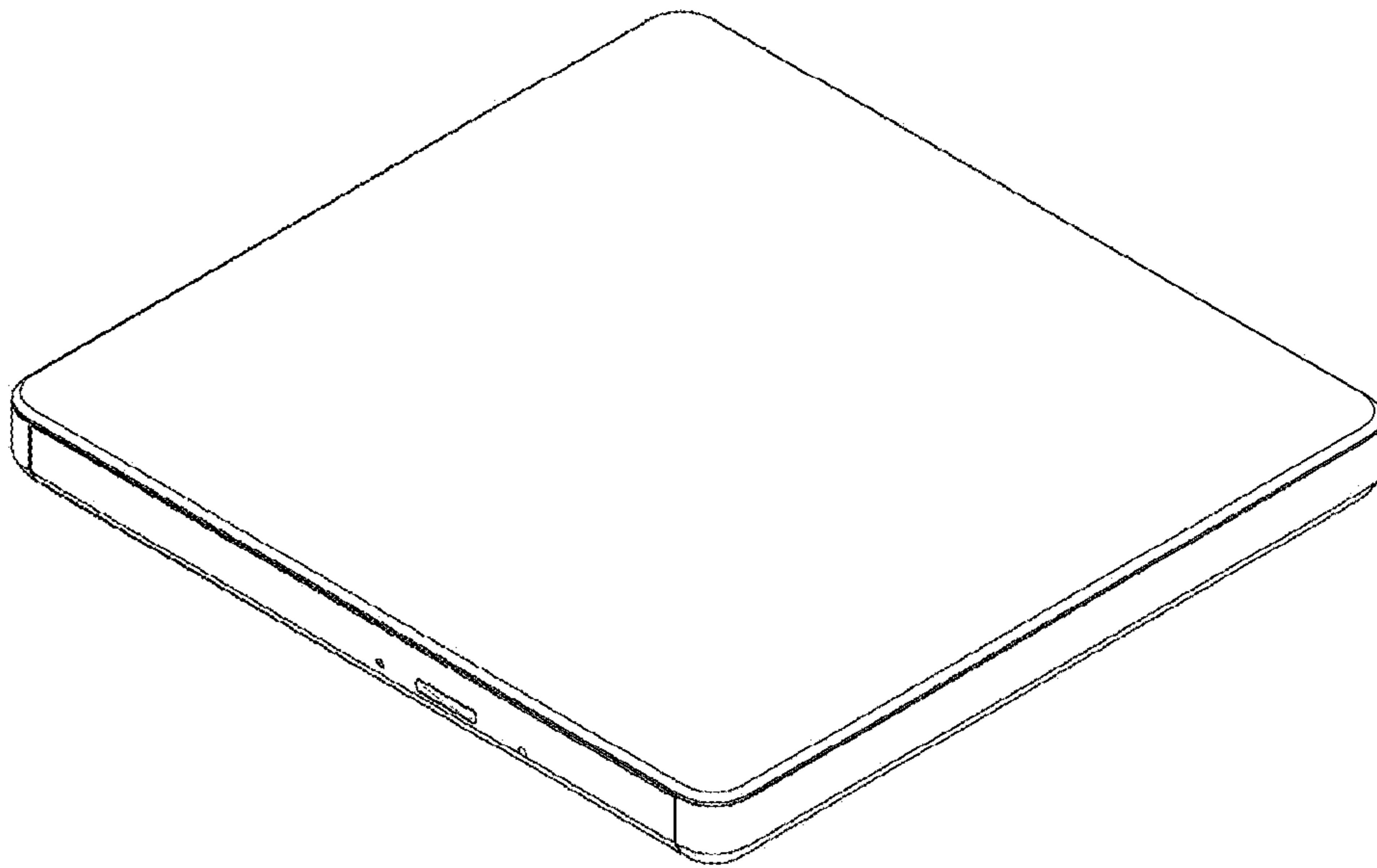


FIG. 2

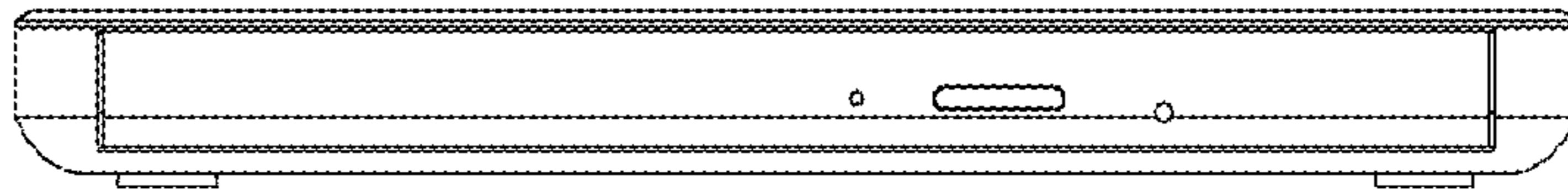


FIG. 3

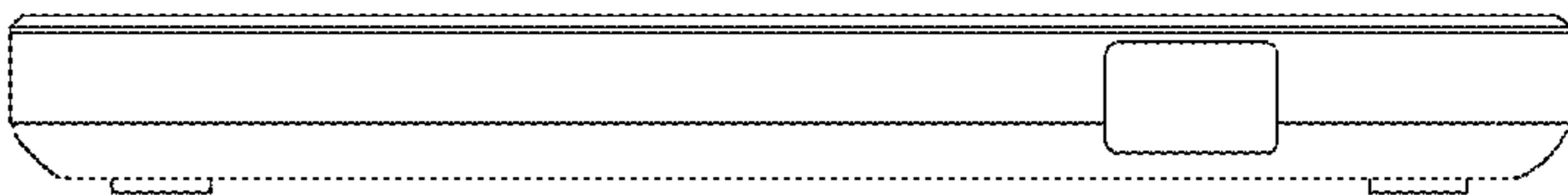


FIG. 4

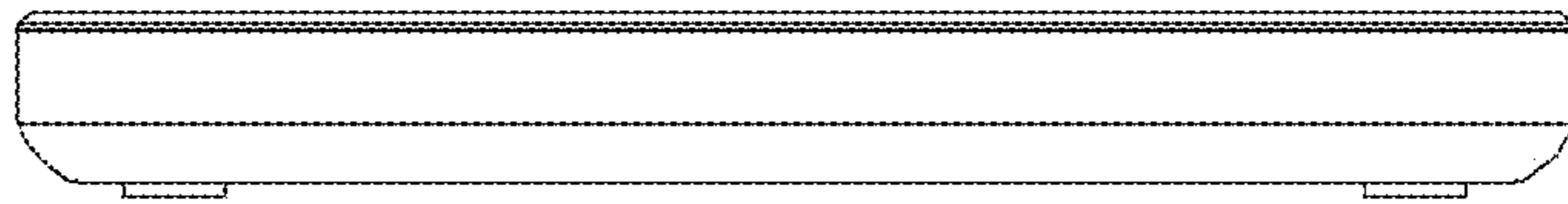


FIG. 5

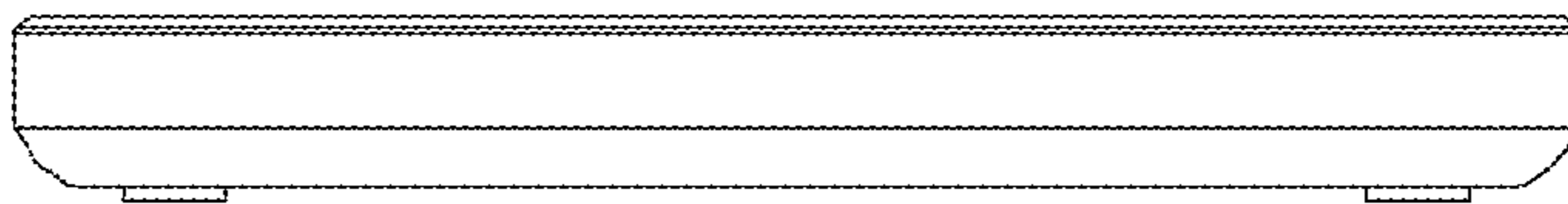


FIG. 6

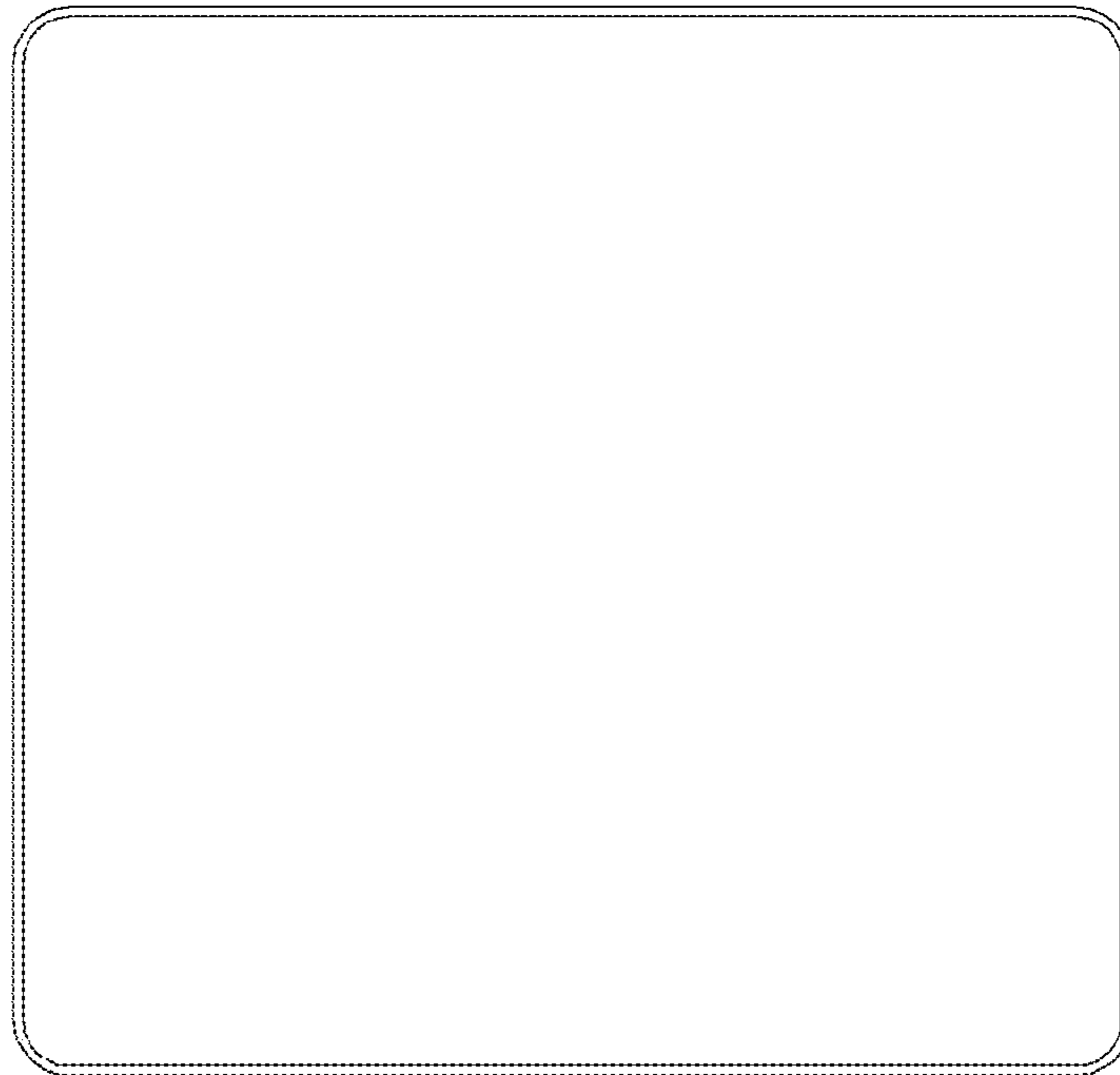


FIG. 7

