



US00D689478S

(12) **United States Design Patent**
Wikel et al.

(10) **Patent No.:** **US D689,478 S**

(45) **Date of Patent:** **** Sep. 10, 2013**

(54) **STAND**

(75) Inventors: **Harold L Wikel**, Muskego, WI (US);
Christopher A Arnholt, Highland Park,
IL (US); **Daniel T Berg**, Antioch, IL
(US)

(73) Assignee: **Motorola Mobility LLC**, Libertyville,
IL (US)

(**) Term: **14 Years**

(21) Appl. No.: **29/426,657**

(22) Filed: **Jul. 9, 2012**

(51) **LOC (9) Cl.** **14-03**

(52) **U.S. Cl.**
USPC **D14/253**

(58) **Field of Classification Search**
USPC D14/140, 140.8, 142, 168, 204, 209.1,
D14/217, 221, 243–256, 434, 447; D3/215,
D3/218, 269; D2/861; D6/300, 310, 467,
D6/553–574; 292/342, 343; D19/90;
D12/411, 415; D13/108; 379/446, 455
See application file for complete search history.

(56) **References Cited**

U.S. PATENT DOCUMENTS

D480,730 S *	10/2003	Doherty et al.	D14/447
D491,952 S *	6/2004	Oddsens et al.	D14/447
D549,709 S *	8/2007	Richter	D14/447
D557,259 S *	12/2007	Hirsch	D14/217
D560,592 S *	1/2008	Brassard	D12/415
D589,964 S *	4/2009	Heggland et al.	D14/434
D592,188 S *	5/2009	Huang	D14/217
D602,913 S *	10/2009	Han et al.	D14/217
D603,322 S *	11/2009	Nicieja	D12/415
D614,613 S *	4/2010	Kim et al.	D14/253
D624,062 S *	9/2010	Kasuga et al.	D14/239
D639,286 S *	6/2011	Mohoney	D14/250
D640,247 S *	6/2011	Baumann et al.	D14/253
D654,119 S *	2/2012	Lin	D21/333
D654,120 S *	2/2012	Lin	D21/333
D654,493 S *	2/2012	Baumann et al.	D14/253
D658,167 S *	4/2012	Buesseler et al.	D14/251
D658,168 S *	4/2012	Werth	D14/253

D665,797 S *	8/2012	Novak	D14/253
D669,481 S *	10/2012	Prescott et al.	D14/447
D670,295 S *	11/2012	Prescott et al.	D14/447
D670,690 S *	11/2012	Daniel et al.	D14/253
D671,110 S *	11/2012	Choi	D14/253
D672,356 S *	12/2012	Quijano et al.	D14/447
D677,261 S *	3/2013	Hsu et al.	D14/447
2012/0170194 A1 *	7/2012	Lord et al.	361/679.02
2012/0170212 A1 *	7/2012	Gallouzi et al.	361/679.56

* cited by examiner

Primary Examiner — Susan Bennett Hattan

Assistant Examiner — Janice Hallmark

(57) **CLAIM**

The ornamental design for a stand, as shown and described.

DESCRIPTION

FIG. 1 is a front perspective view of a first embodiment of an ornamental design for a stand;
 FIG. 2 is a rear perspective view of the first embodiment thereof;
 FIG. 3 is a front view of the first embodiment thereof;
 FIG. 4 is a rear view of the first embodiment thereof;
 FIG. 5 is a first side view of the first embodiment thereof;
 FIG. 6 is a second side view of the first embodiment thereof;
 FIG. 7 is a top view of the first embodiment thereof; and
 FIG. 8 is a bottom view of the first embodiment thereof.
 FIG. 9 is a front perspective view of a second embodiment of an ornamental design for a stand;
 FIG. 10 is a rear perspective view of the second embodiment thereof;
 FIG. 11 is a front view of the second embodiment thereof;
 FIG. 12 is a rear view of the second embodiment thereof;
 FIG. 13 is a first side view of the second embodiment thereof;
 FIG. 14 is a second side view of the second embodiment thereof;
 FIG. 15 is a top view of the second embodiment thereof; and
 FIG. 16 is a bottom view of the second embodiment thereof.
 FIG. 17 is a front perspective view of a third embodiment of an ornamental design for a stand;
 FIG. 18 is a rear perspective view of the third embodiment thereof;
 FIG. 19 is a front view of the third embodiment thereof;

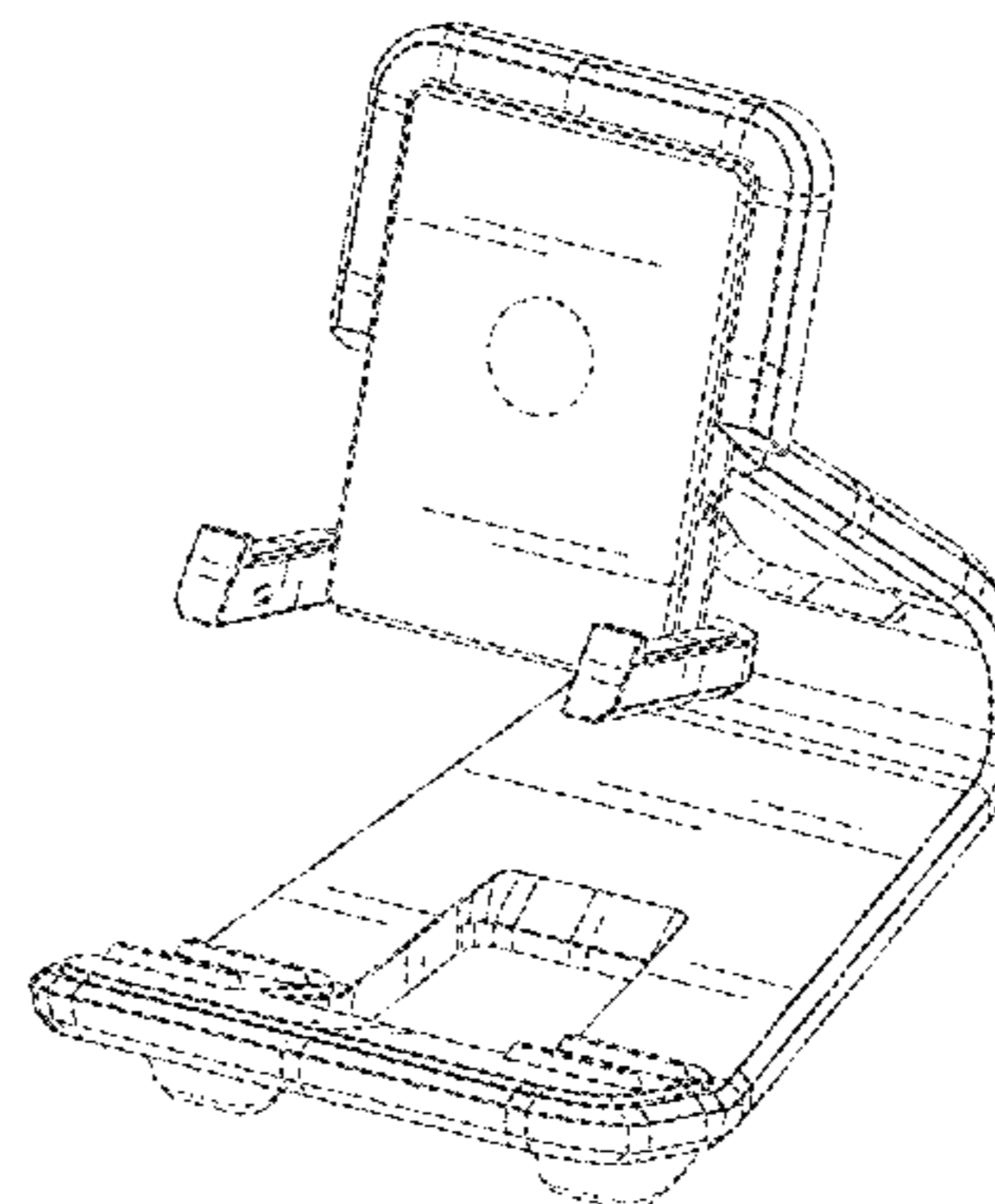
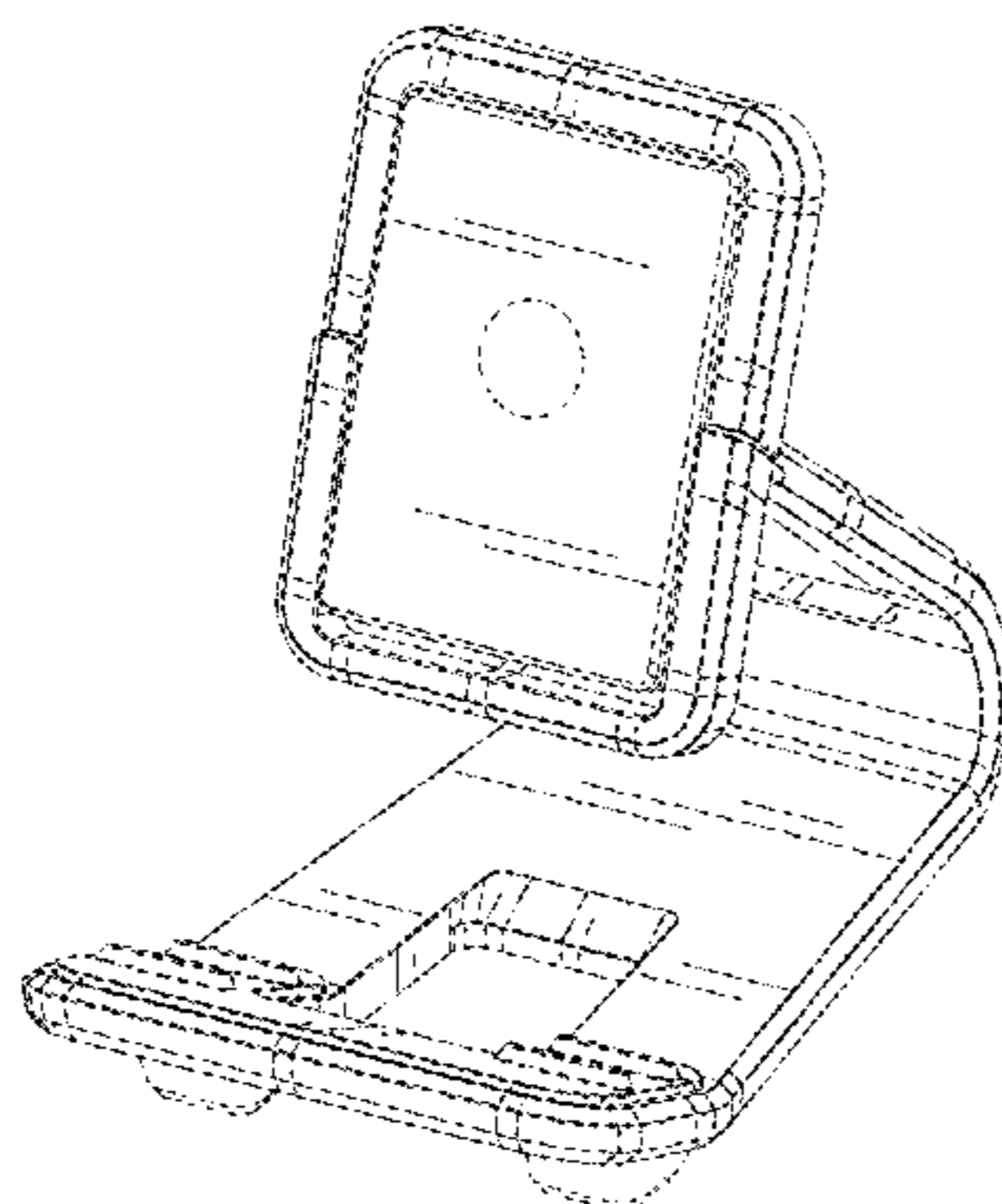


FIG. 20 is a rear view of the third embodiment thereof;
FIG. 21 is a first side view of the third embodiment thereof;
FIG. 22 is a second side view of the third embodiment thereof;
FIG. 23 is a top view of the third embodiment thereof; and
FIG. 24 is a bottom view of the third embodiment thereof.
FIG. 25 is a front perspective view of the first embodiment of an ornamental design for a stand, shown in an alternate position of use;
FIG. 26 is a rear perspective view;
FIG. 27 is a front view;
FIG. 28 is a rear view;
FIG. 29 is a first side view;
FIG. 30 is a second side view;
FIG. 31 is a top view; and
FIG. 32 is a bottom view.
FIG. 33 is a front perspective view of the second embodiment of an ornamental design for a stand, shown in an alternate position of use;
FIG. 34 is a rear perspective view;
FIG. 35 is a front view;
FIG. 36 is a rear view;

FIG. 37 is a first side view;
FIG. 38 is a second side view;
FIG. 39 is a top view; and
FIG. 40 is a bottom view.
FIG. 41 is a front perspective view of the third embodiment of an ornamental design for a stand, shown in an alternate position of use;
FIG. 42 is a rear perspective view;
FIG. 43 is a front view;
FIG. 44 is a rear view;
FIG. 45 is a first side view;
FIG. 46 is a second side view;
FIG. 47 is a top view; and,
FIG. 48 is a bottom view.
The broken lines that are immediately adjacent to the shaded areas in Embodiment 1 depict the bounds of the claim and form no part of the claim; all other broken lines in the figures depict environmental subject matter and form no part of the claim.

1 Claim, 48 Drawing Sheets

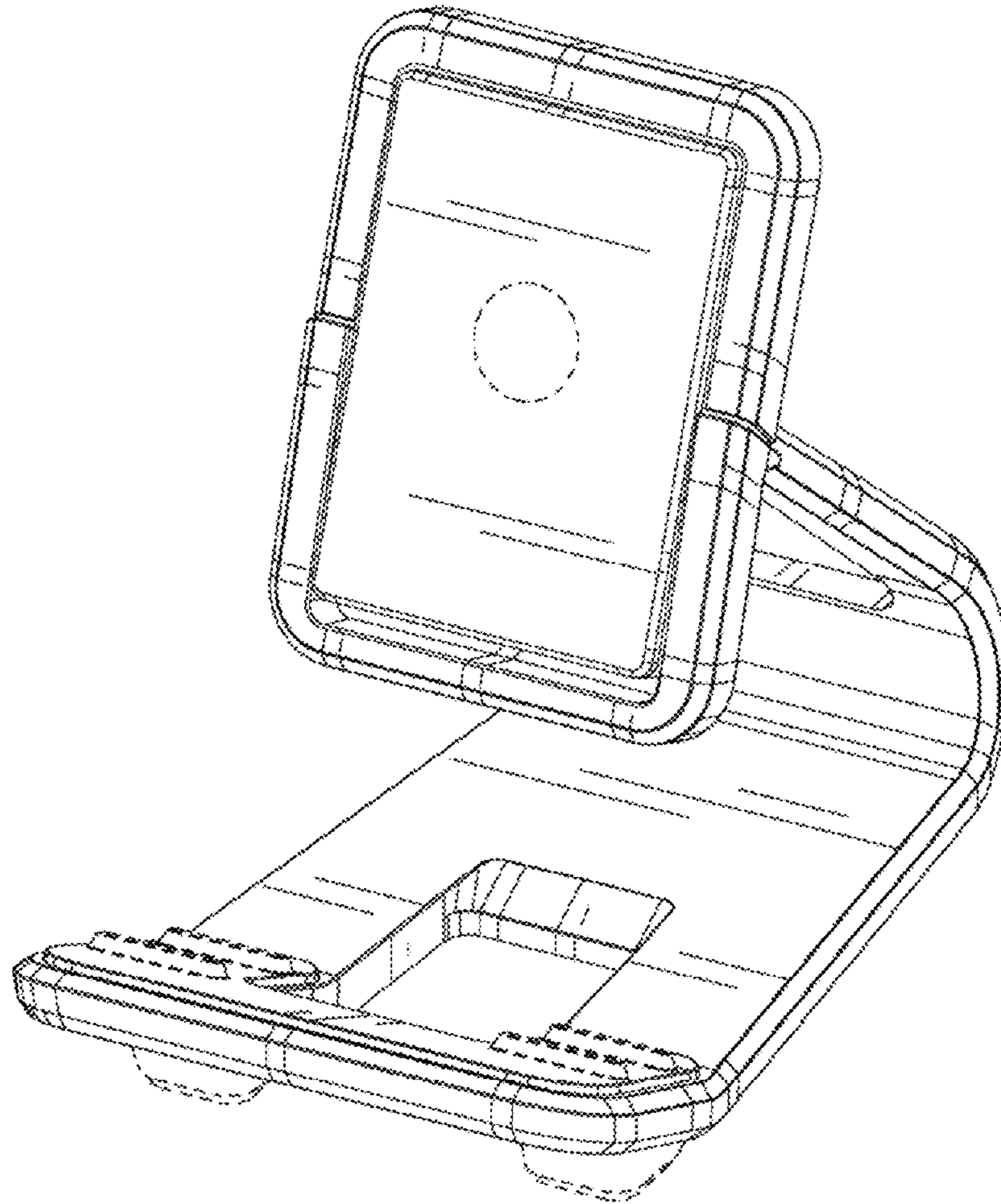


FIG. 1

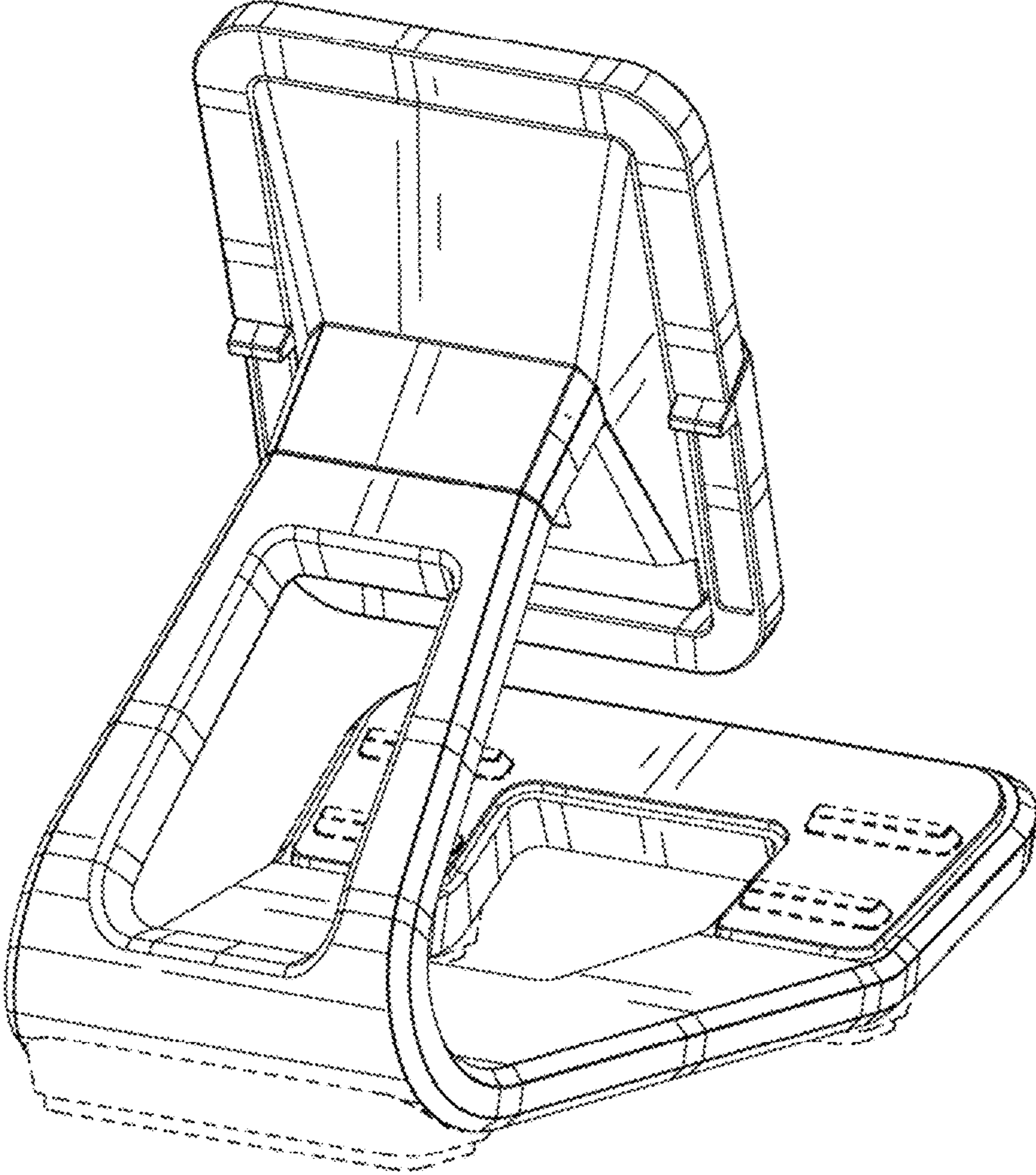


FIG. 2

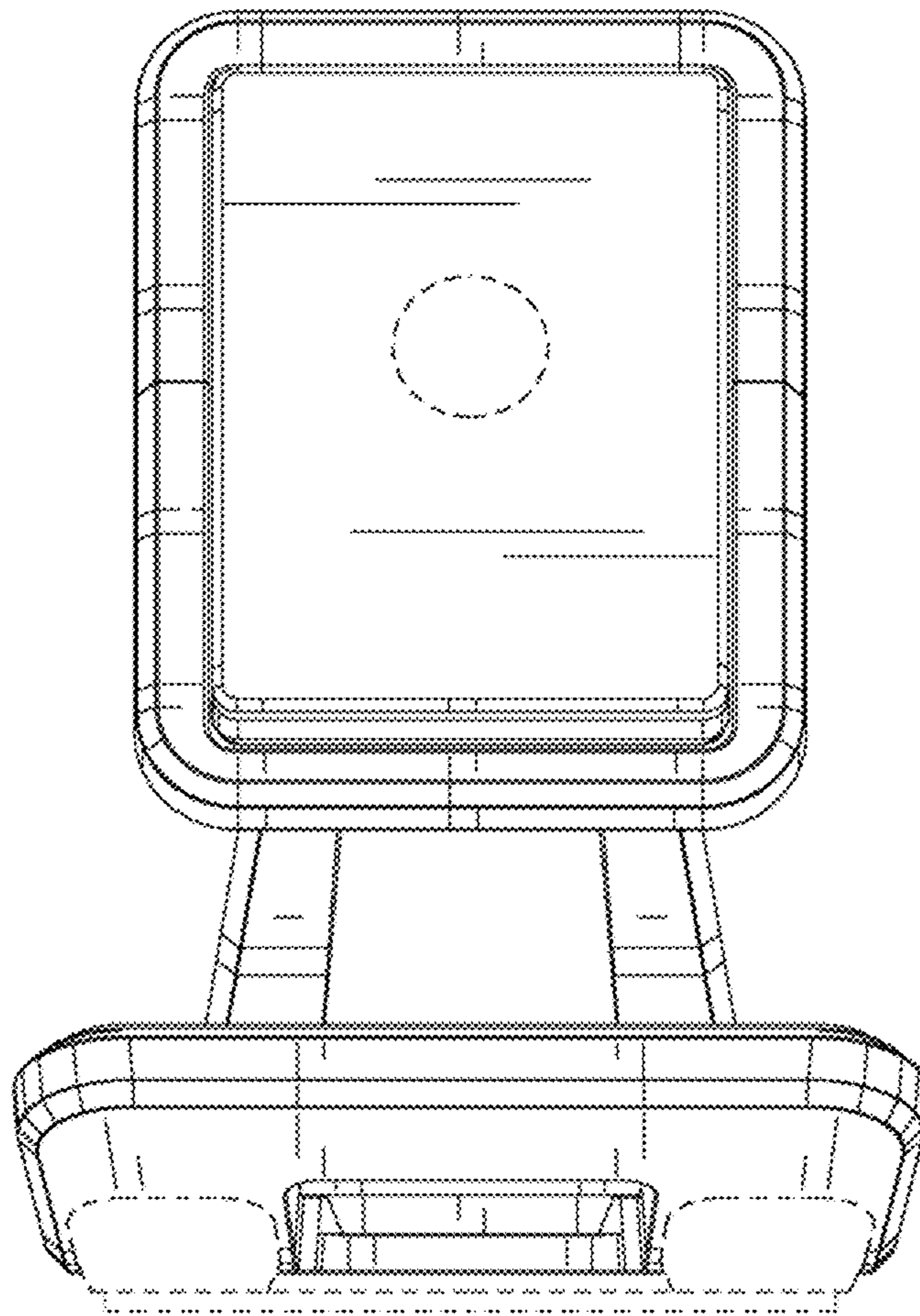


FIG. 3

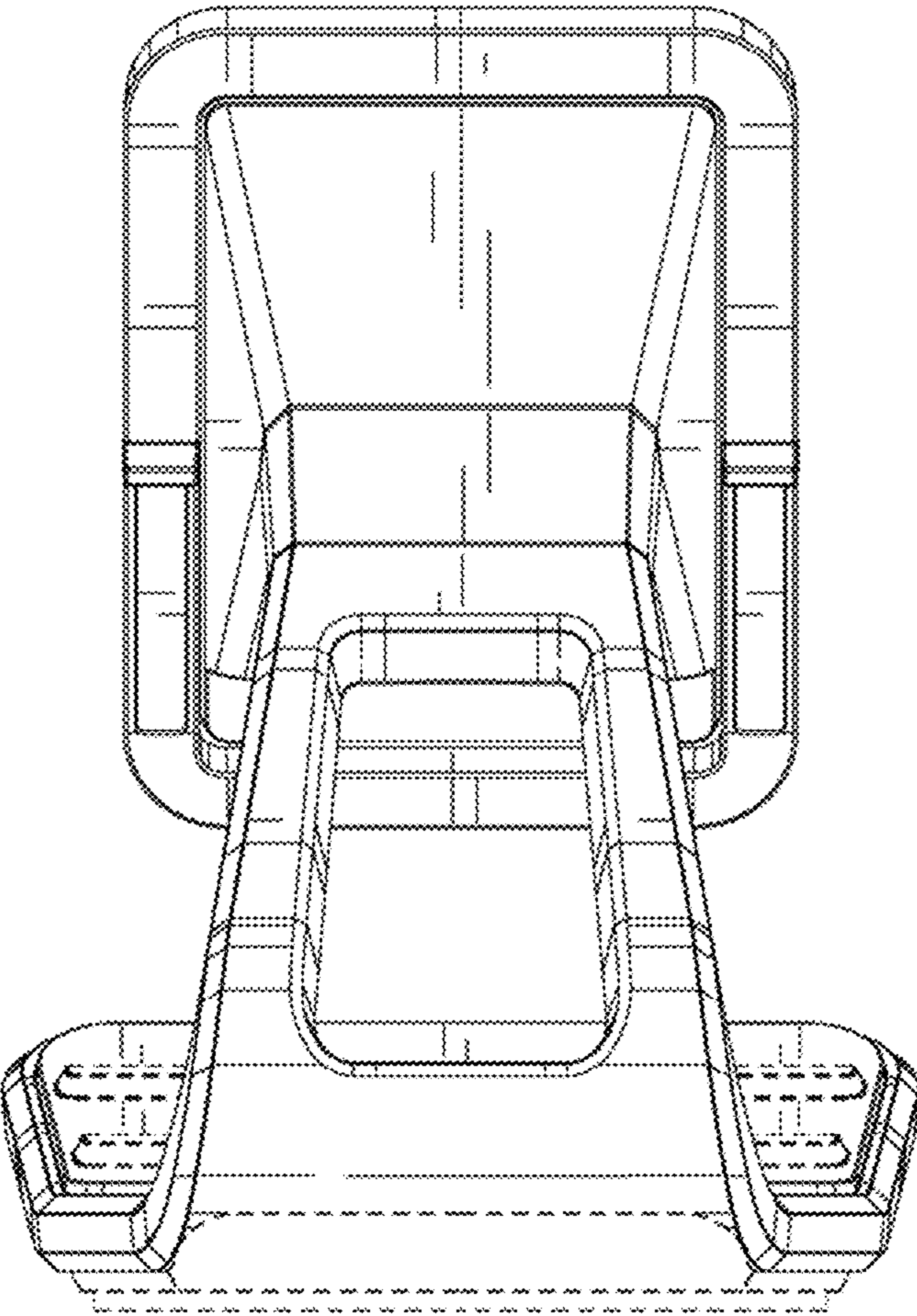


FIG. 4

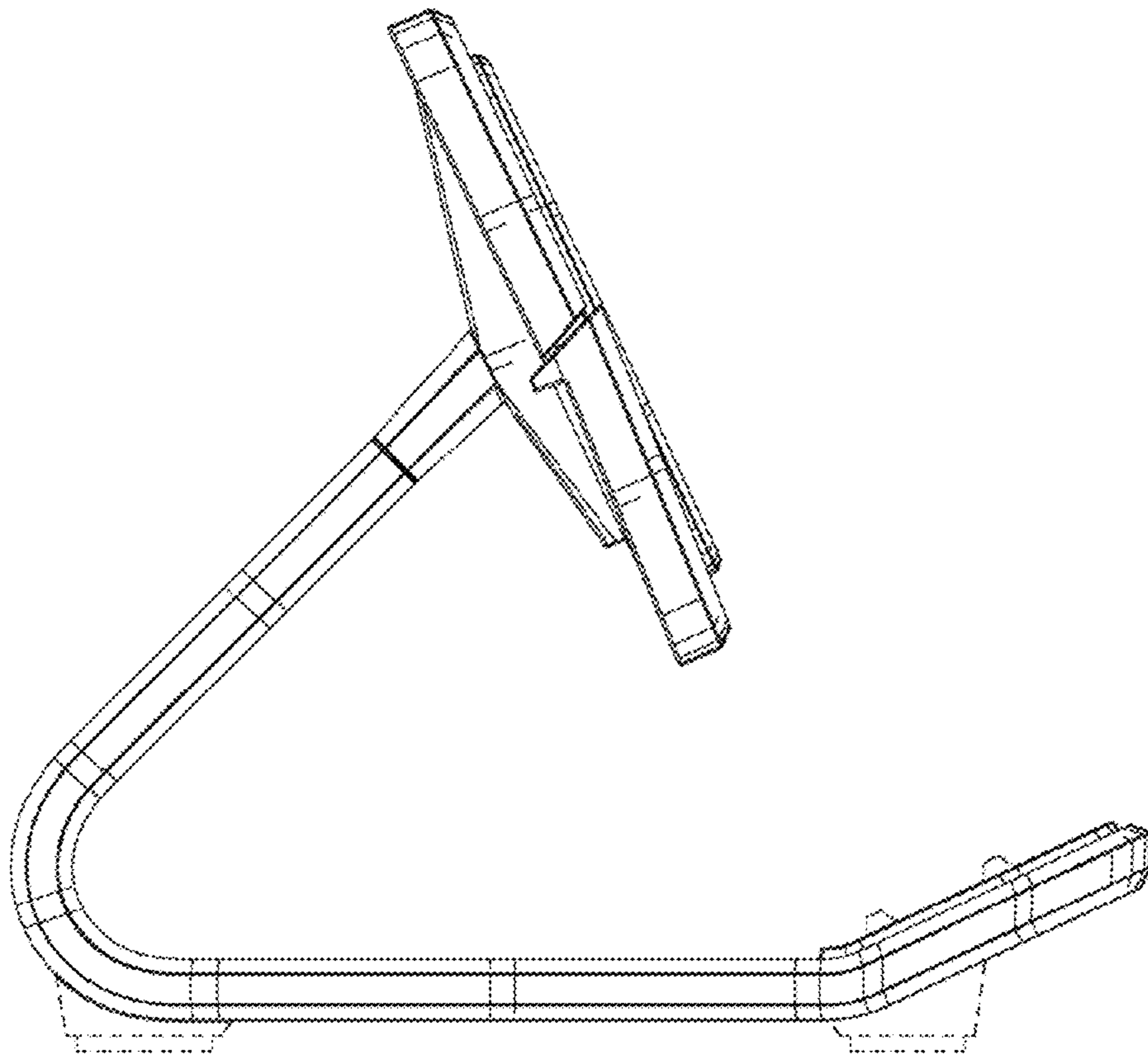


FIG. 5

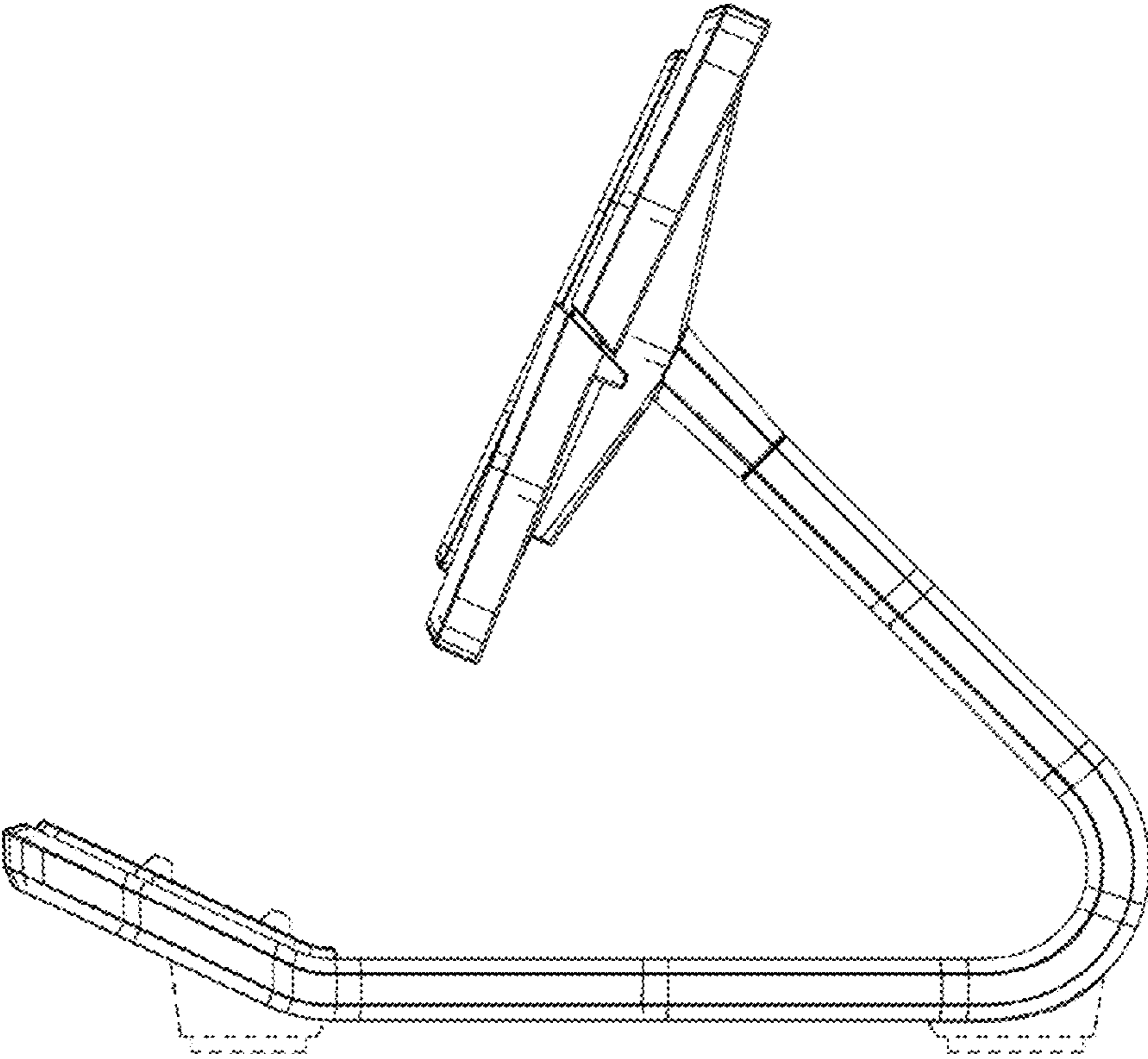


FIG. 6

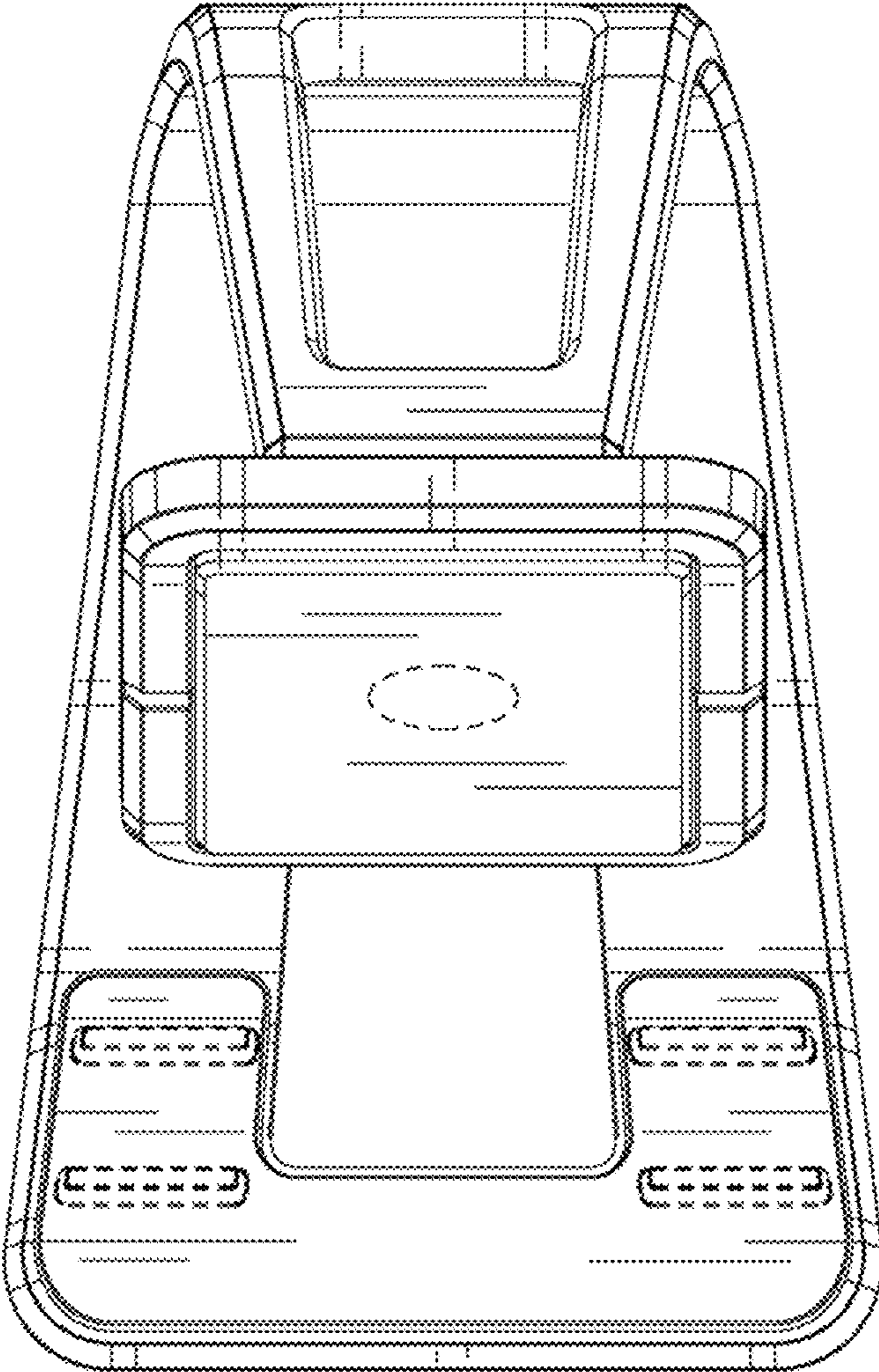


FIG. 7

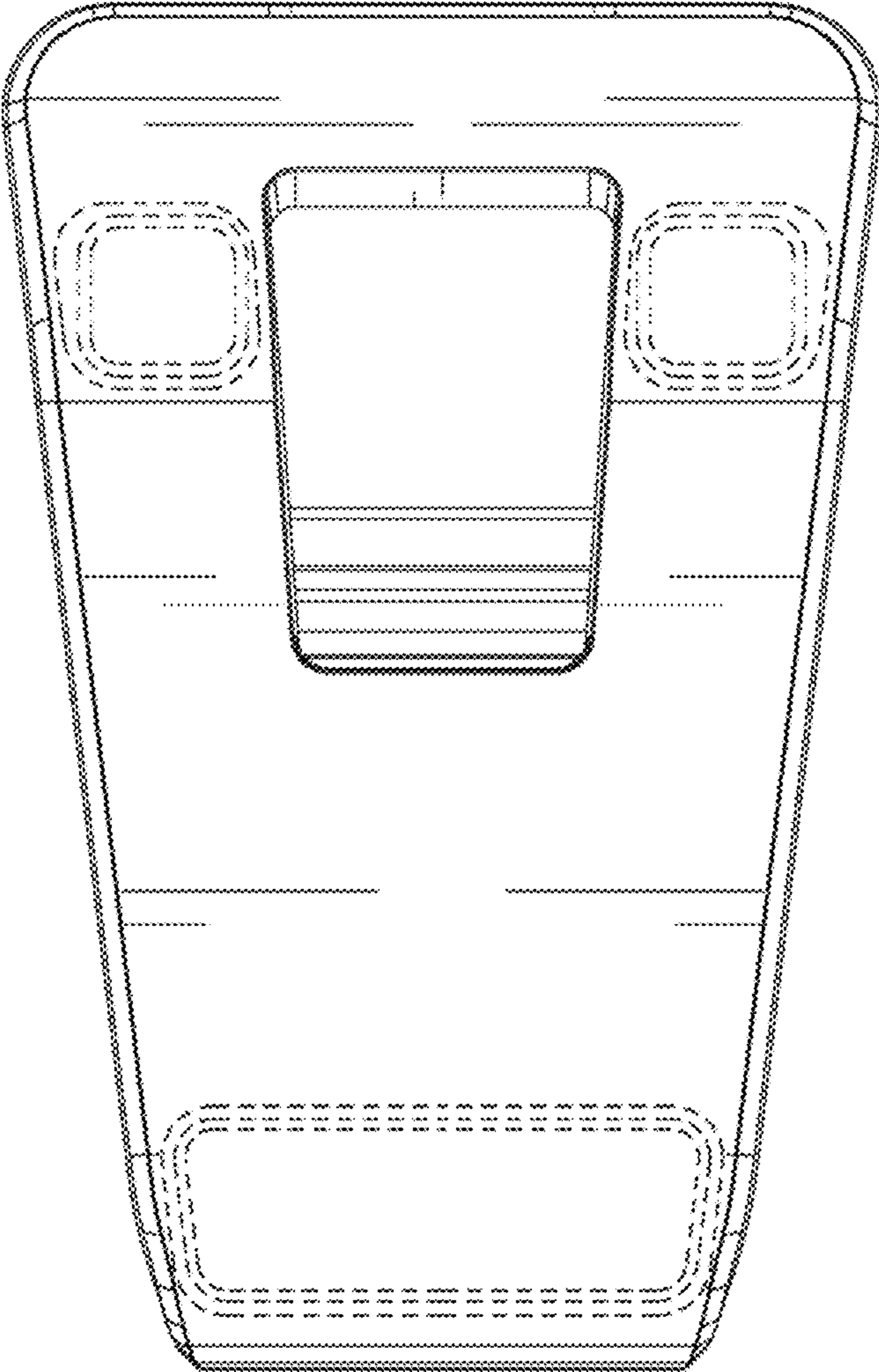


FIG. 8

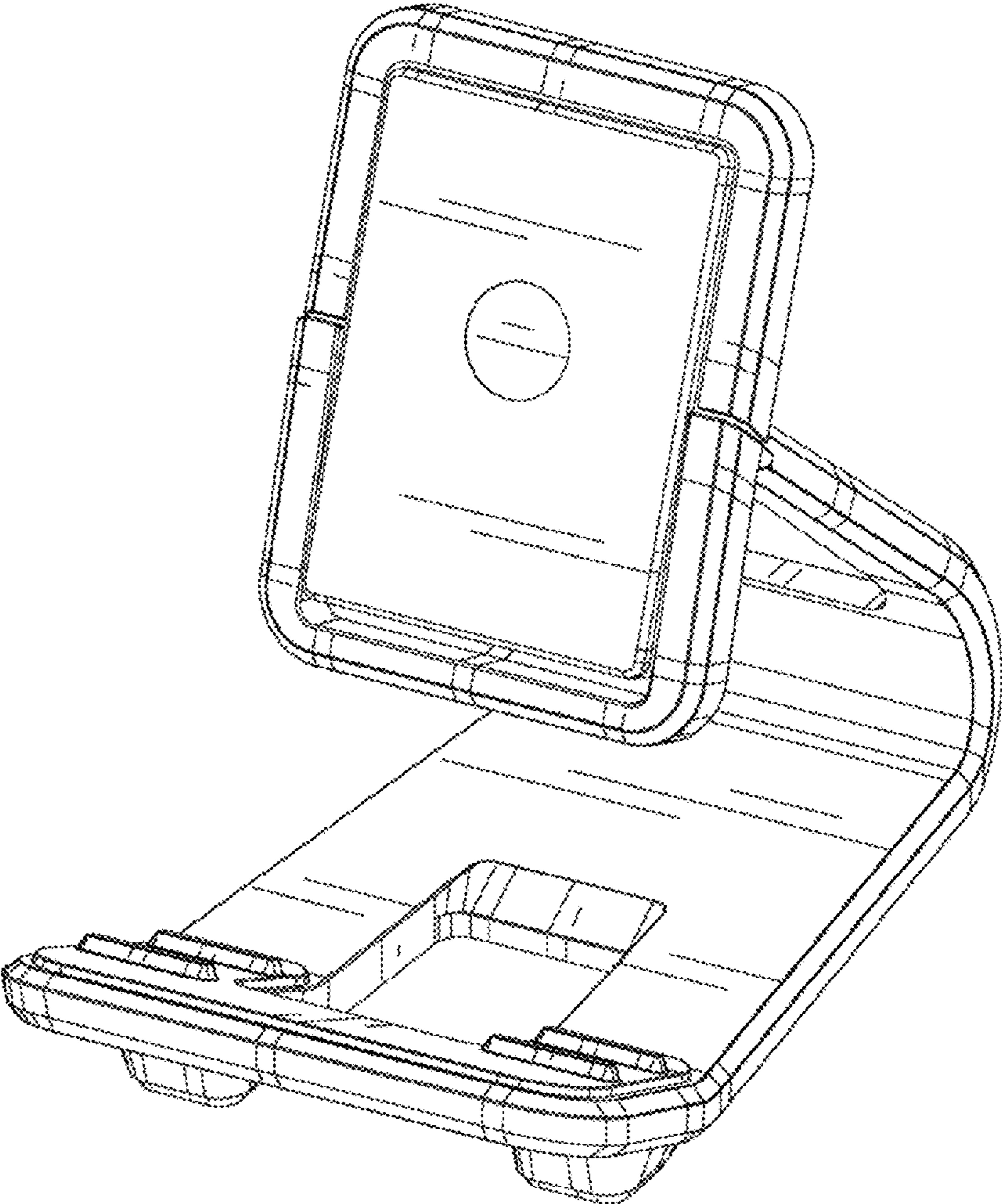


FIG. 9

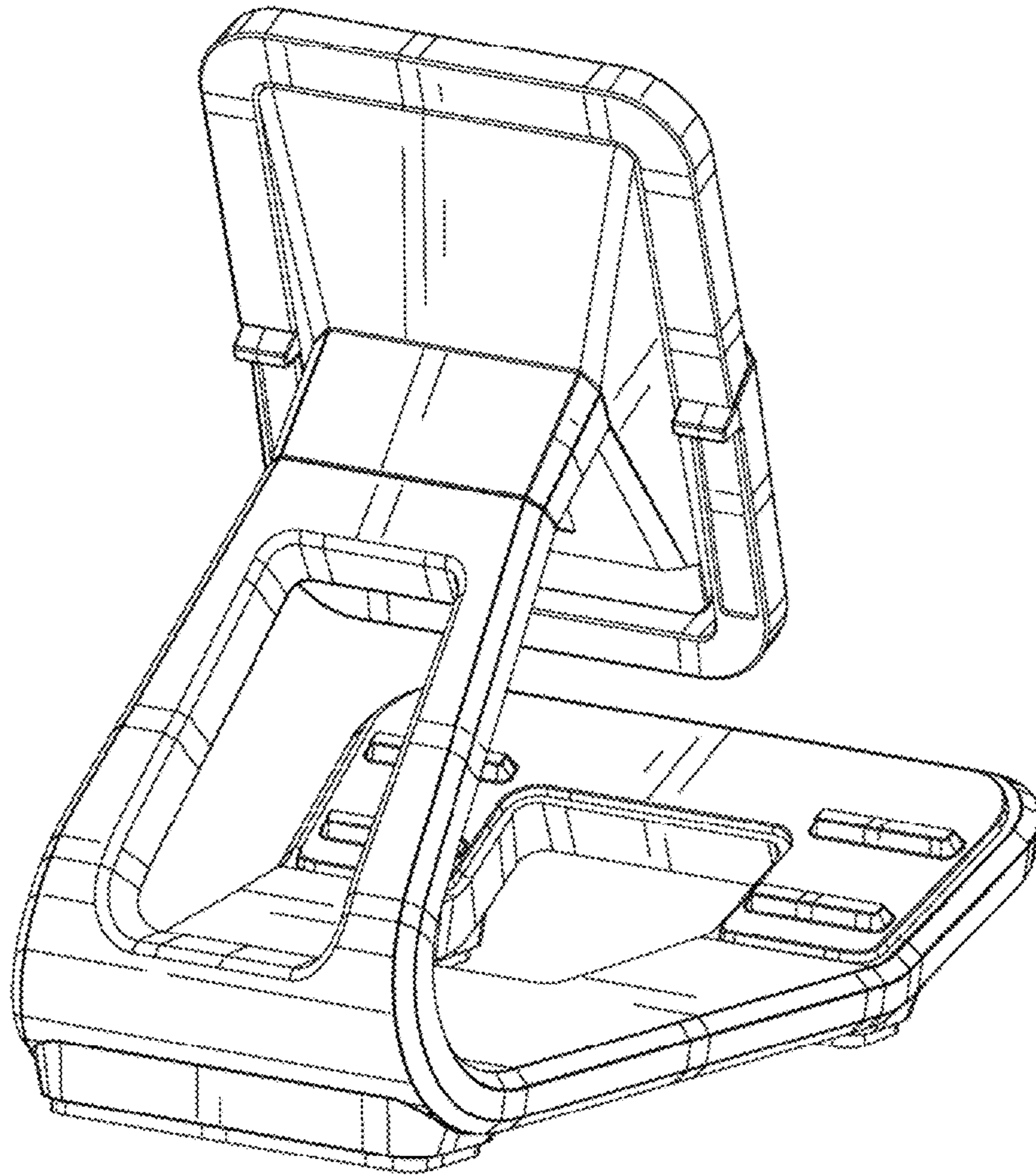


FIG. 10

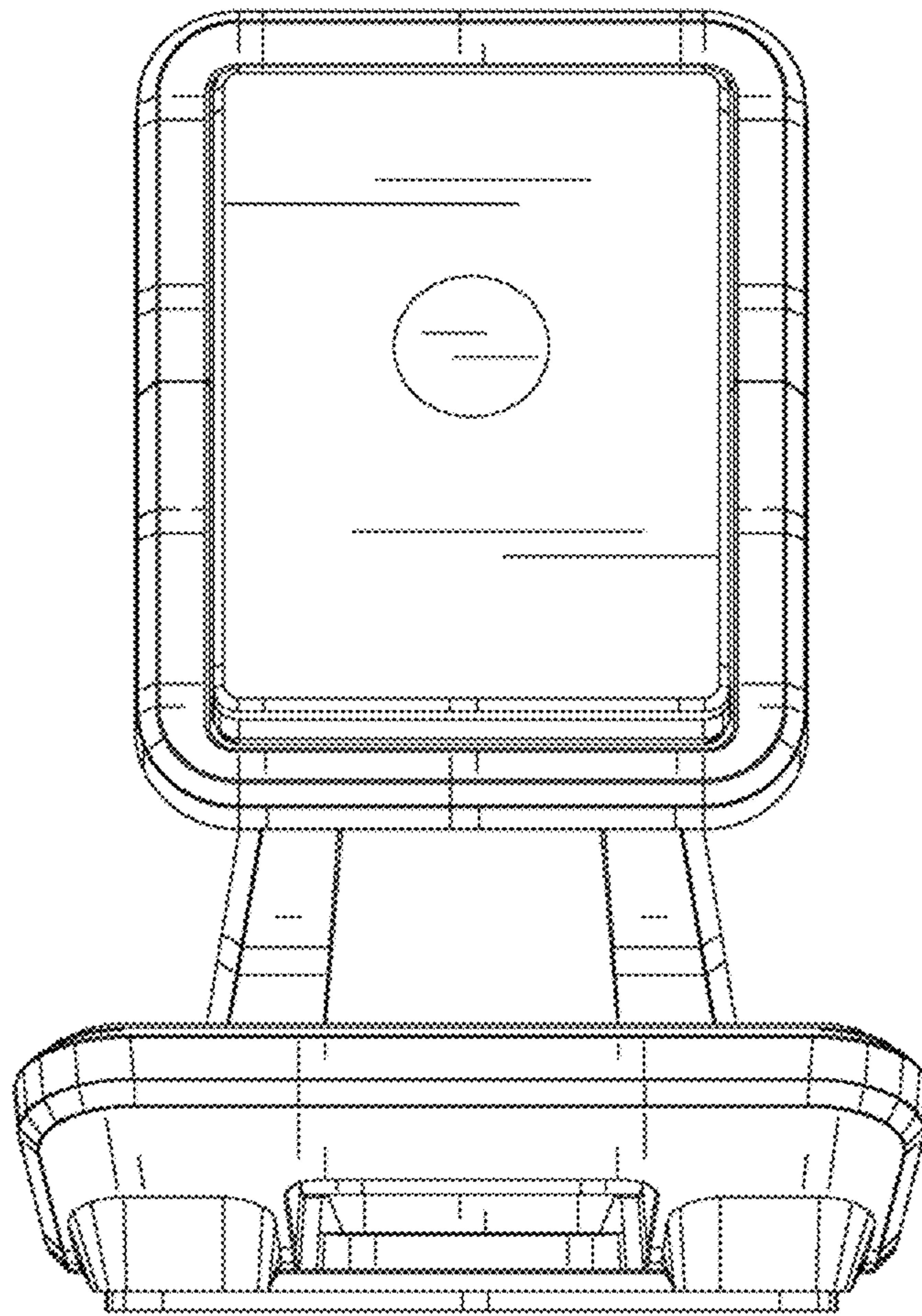


FIG. 11

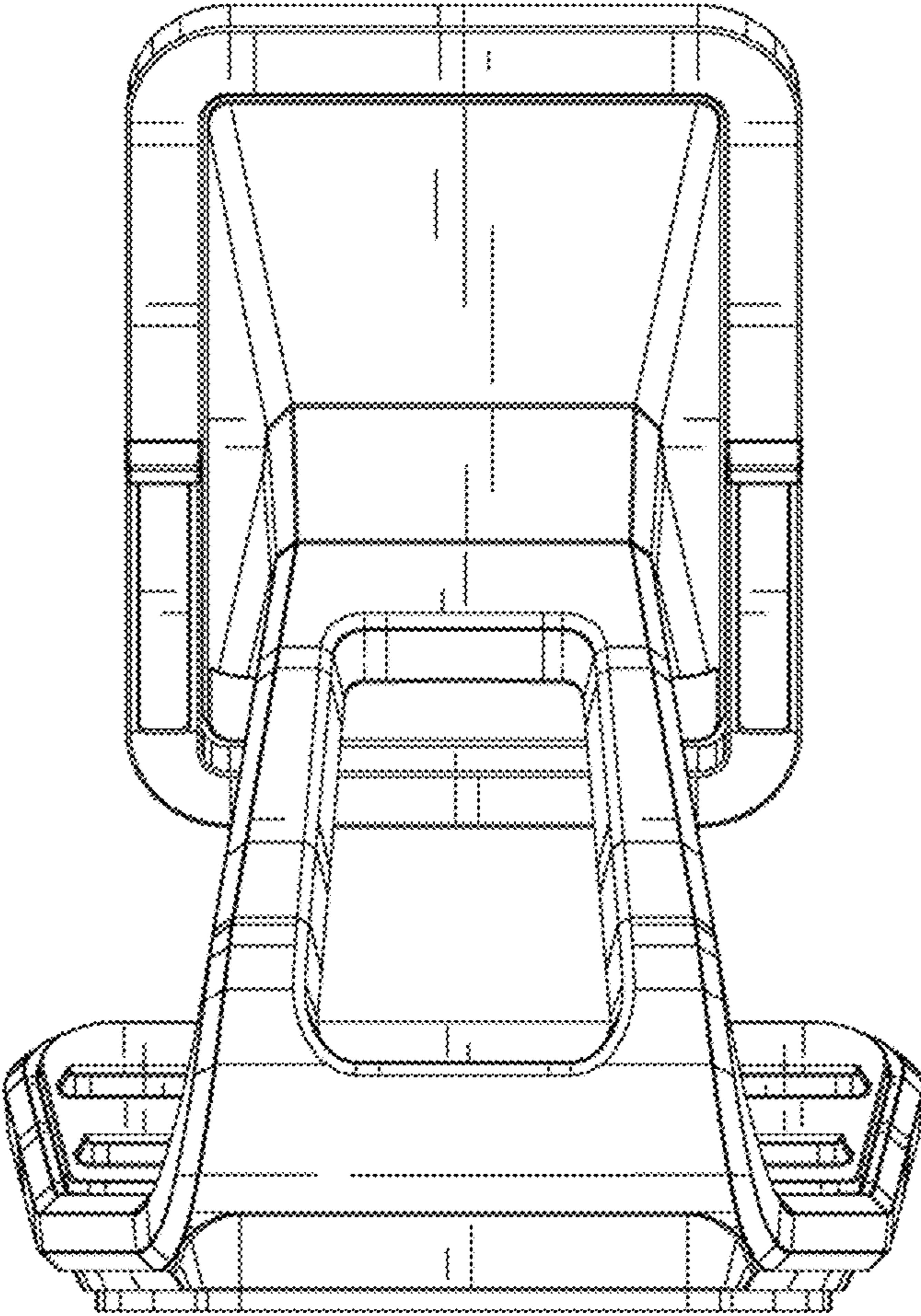


FIG. 12

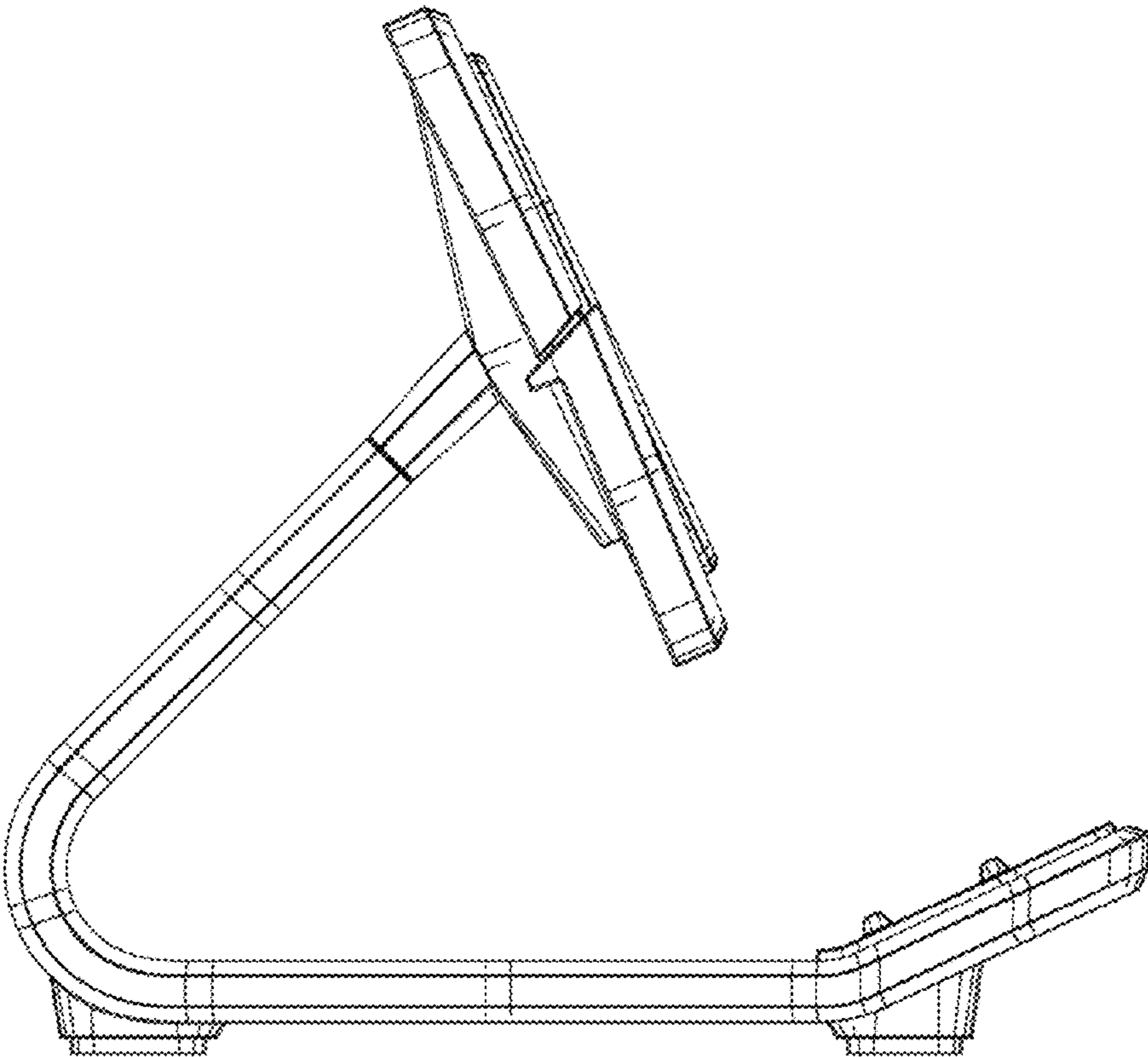


FIG. 13

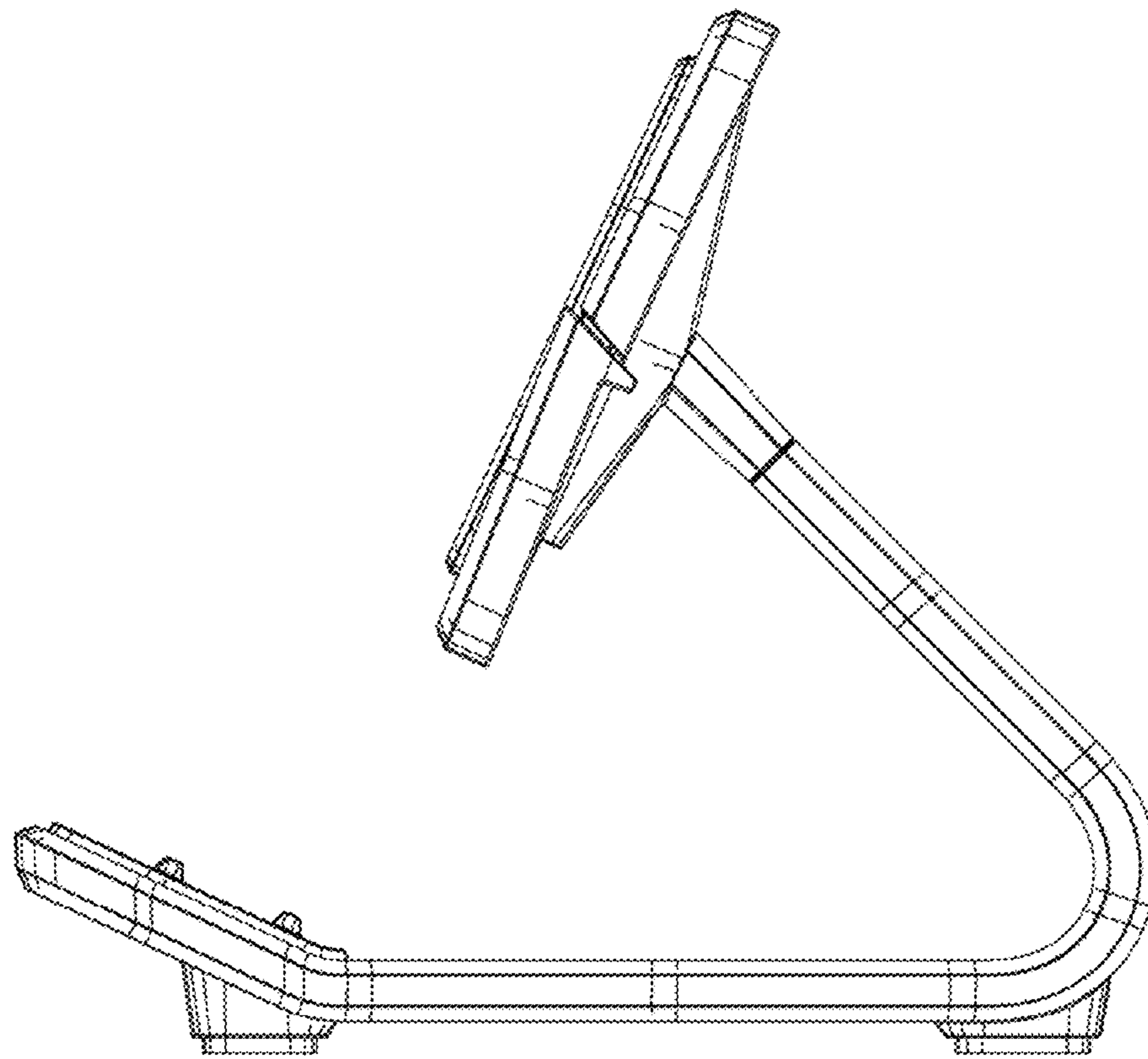


FIG. 14

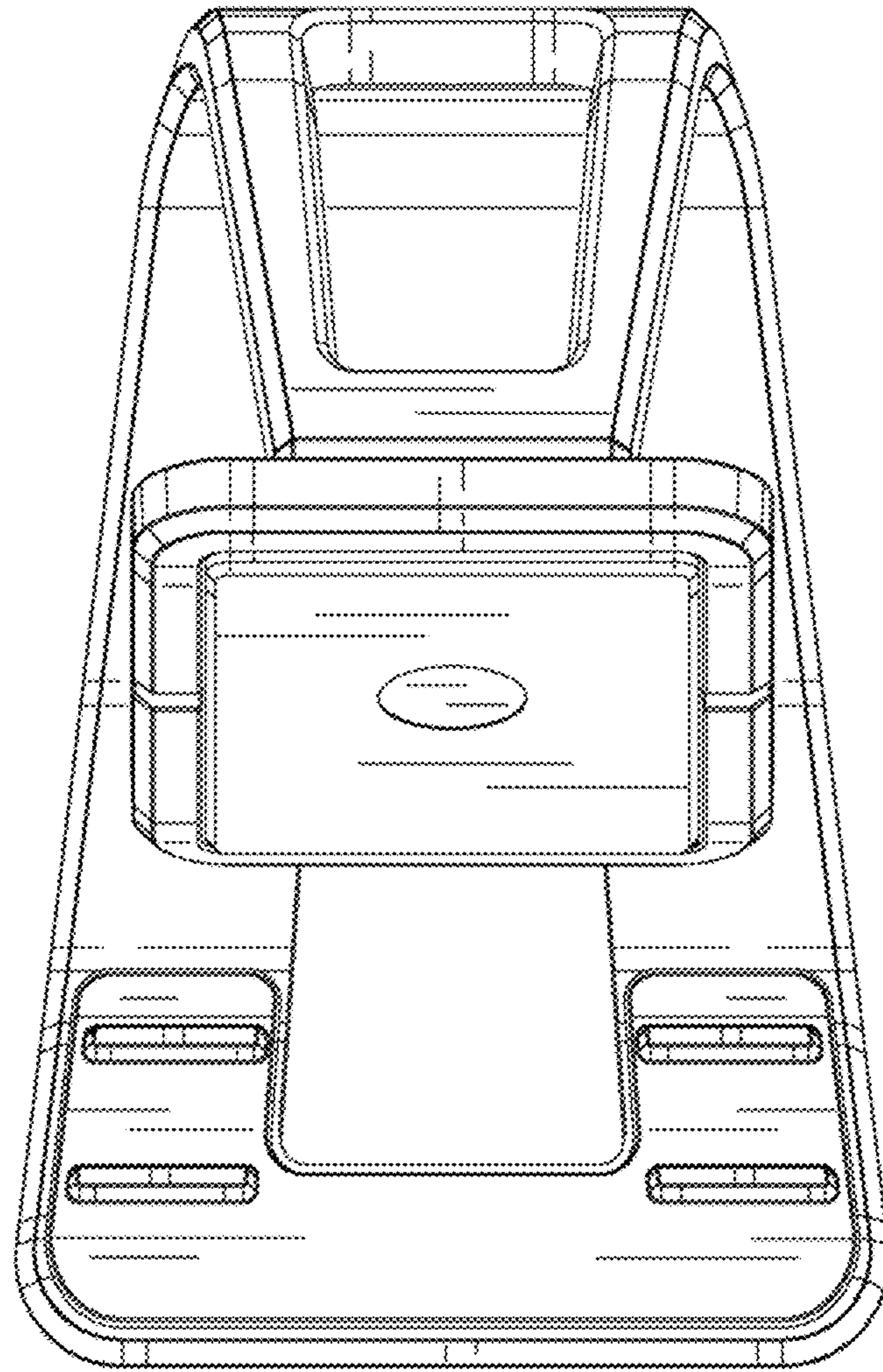


FIG. 15

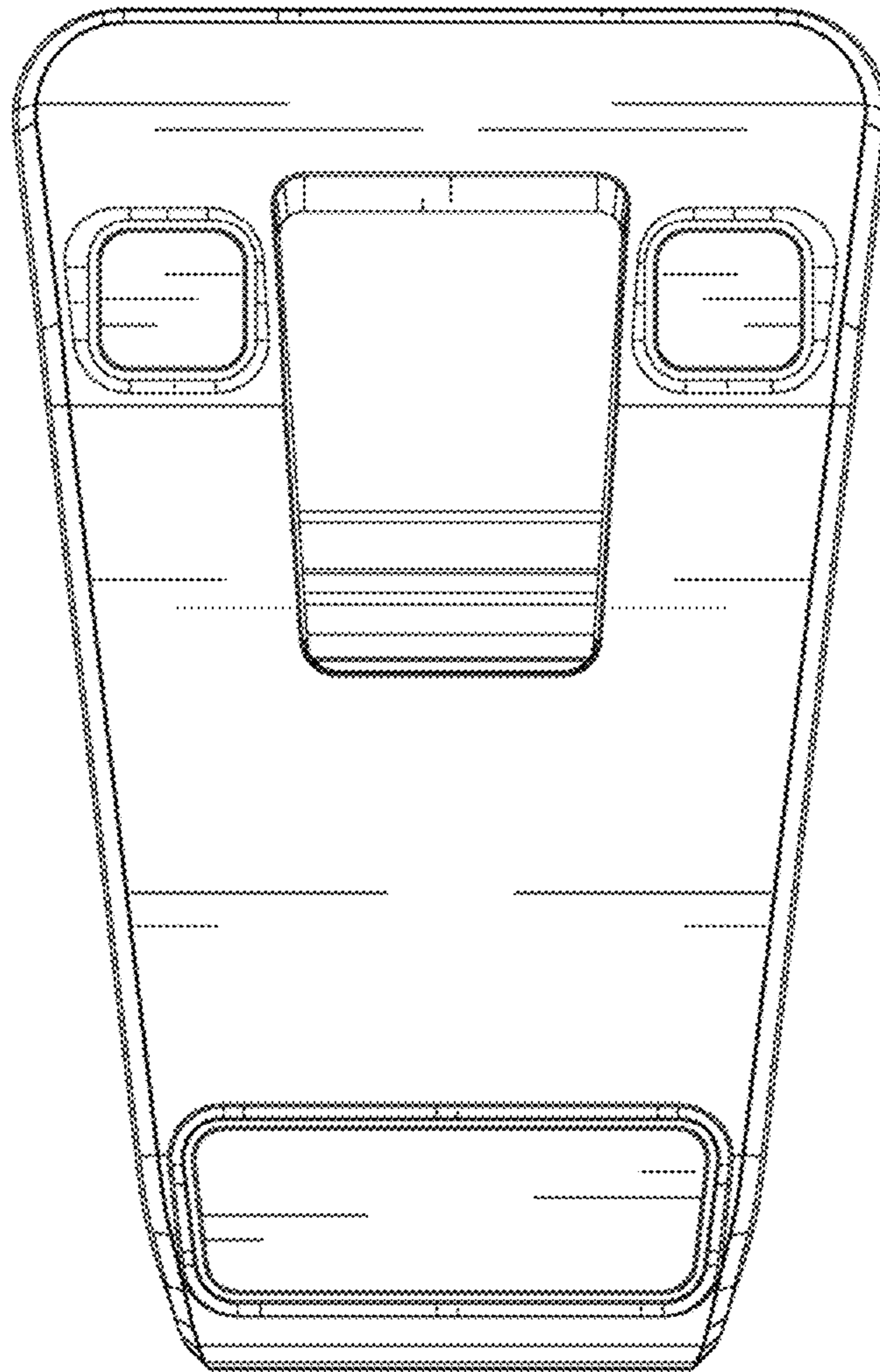


FIG. 16

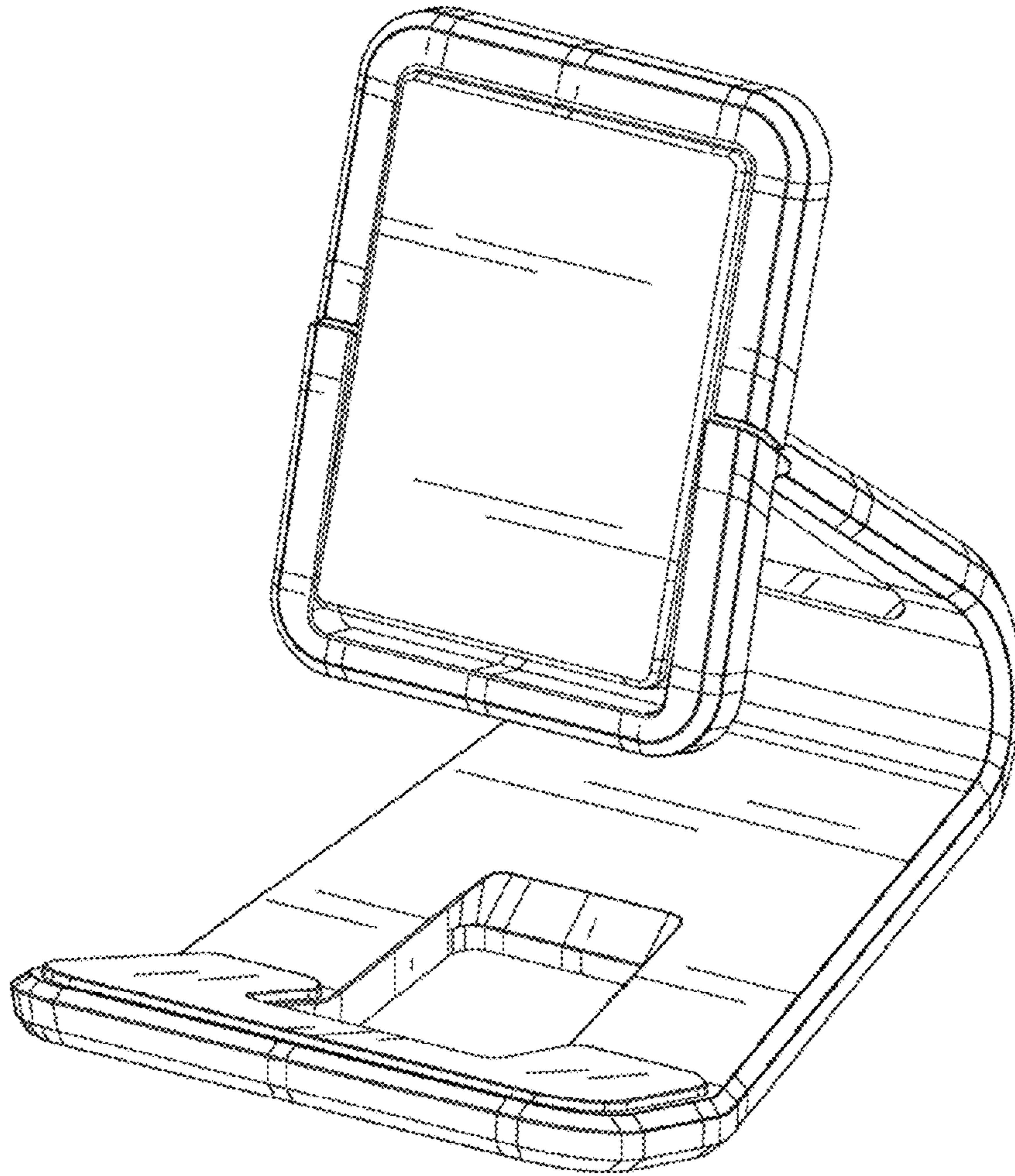


FIG. 17

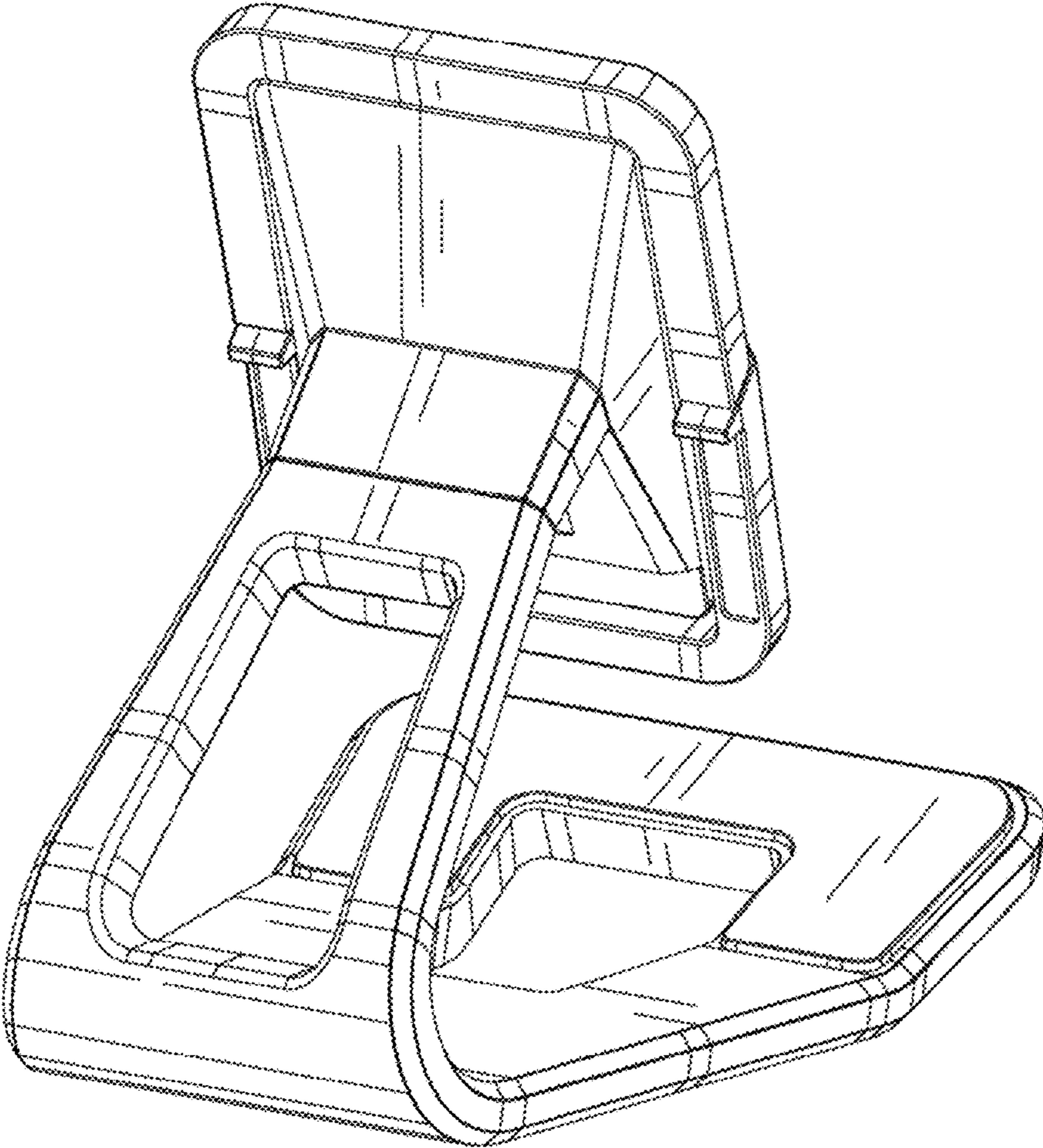


FIG. 18

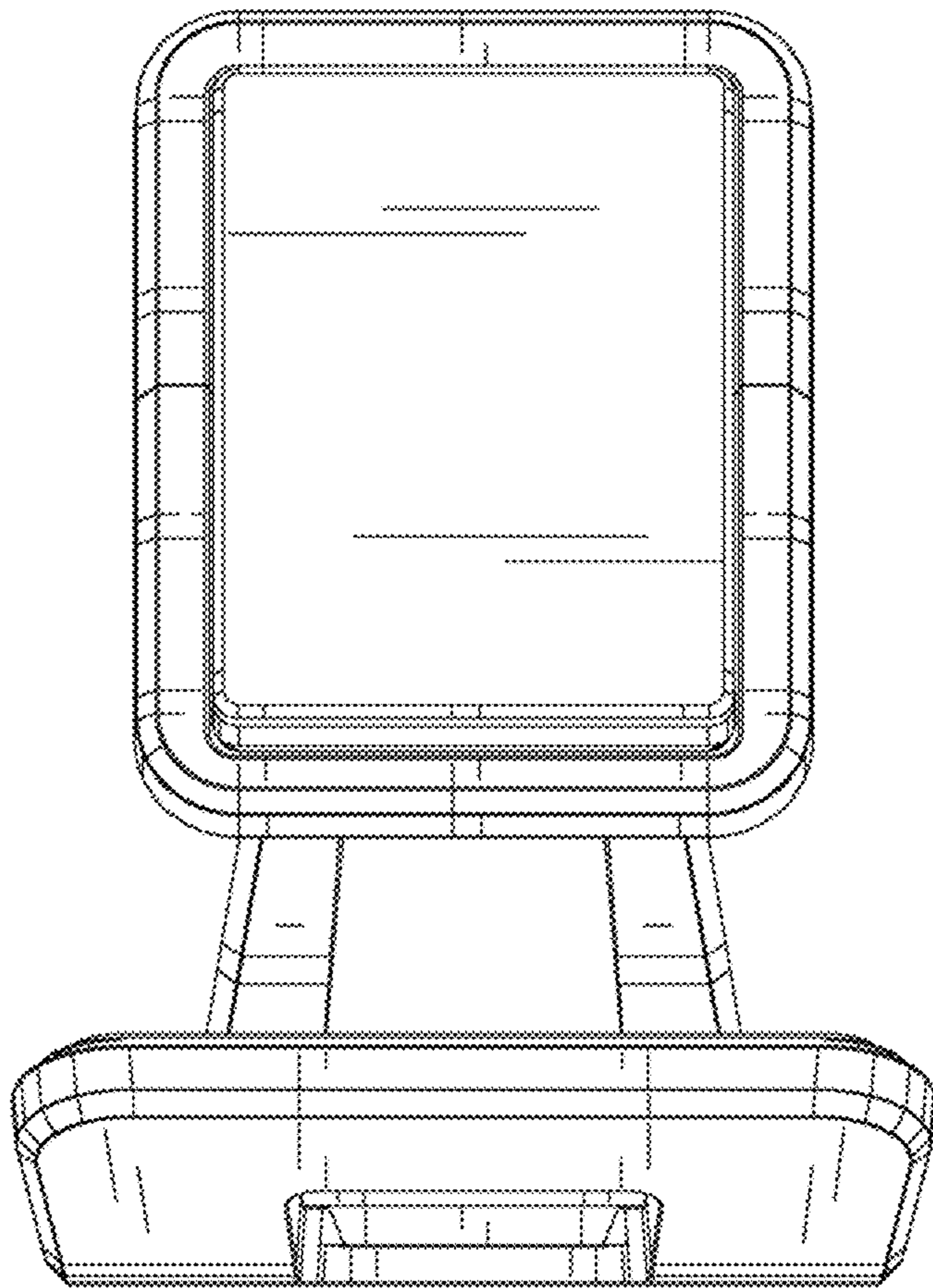


FIG. 19

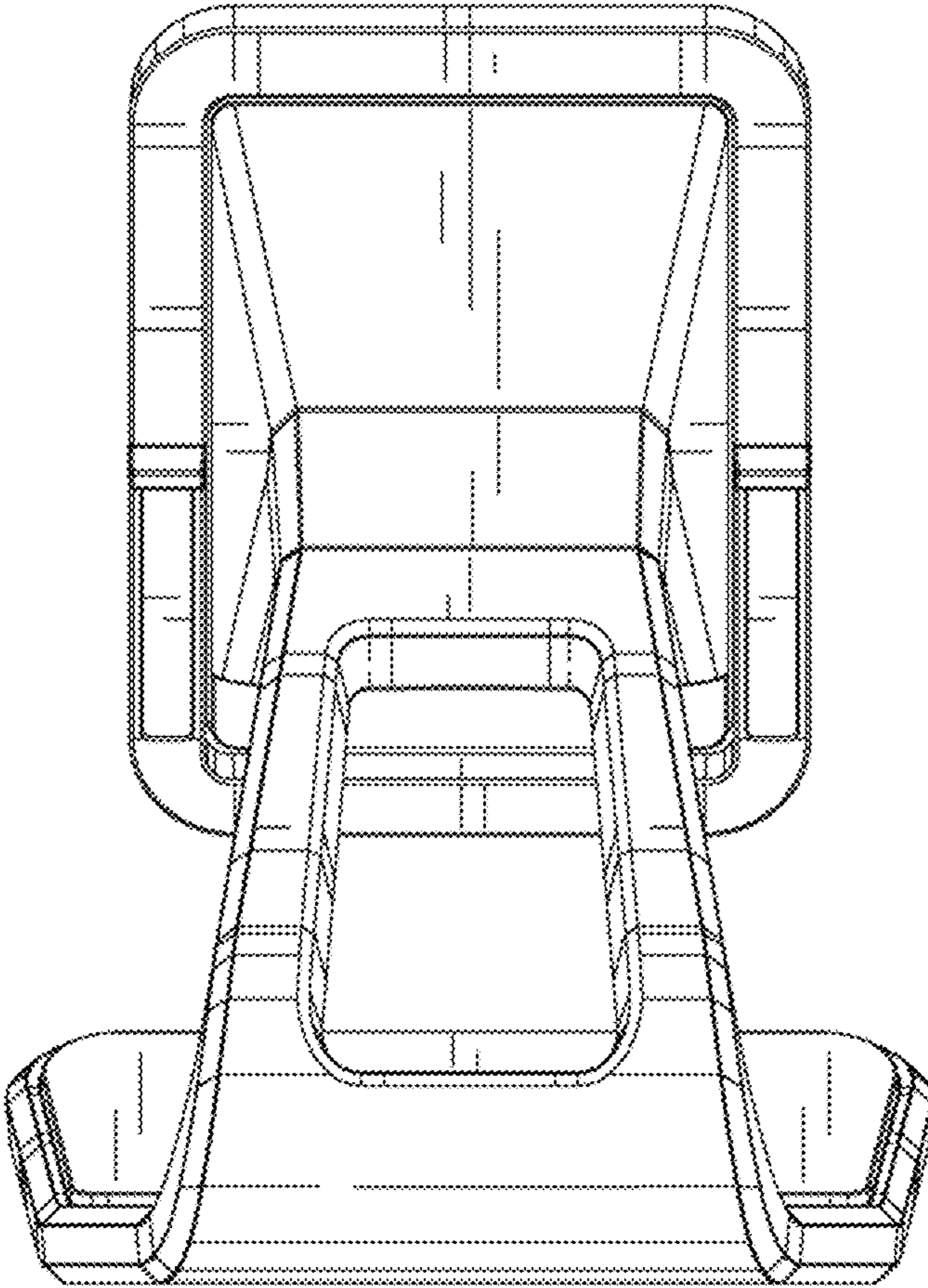


FIG. 20

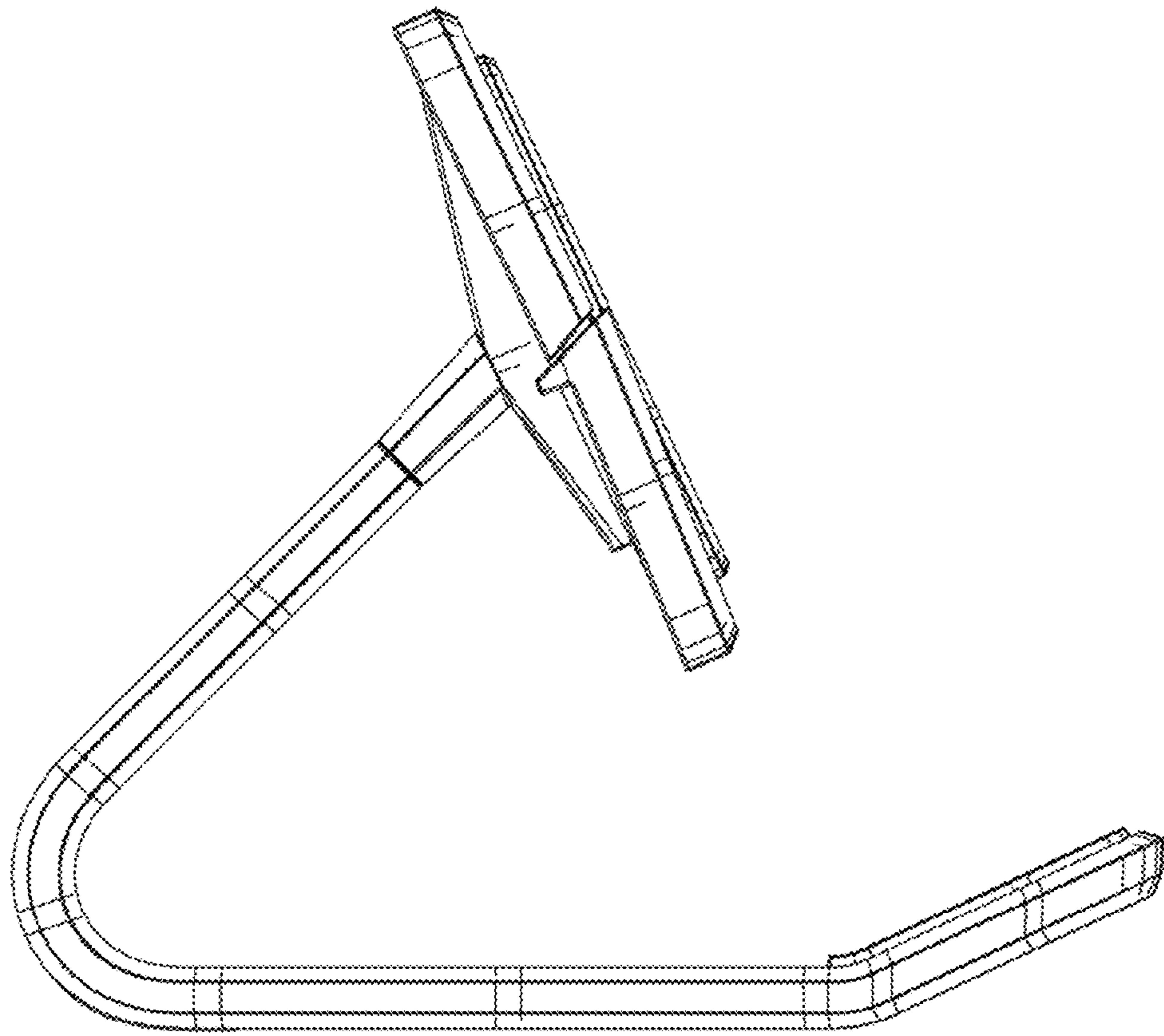


FIG. 21

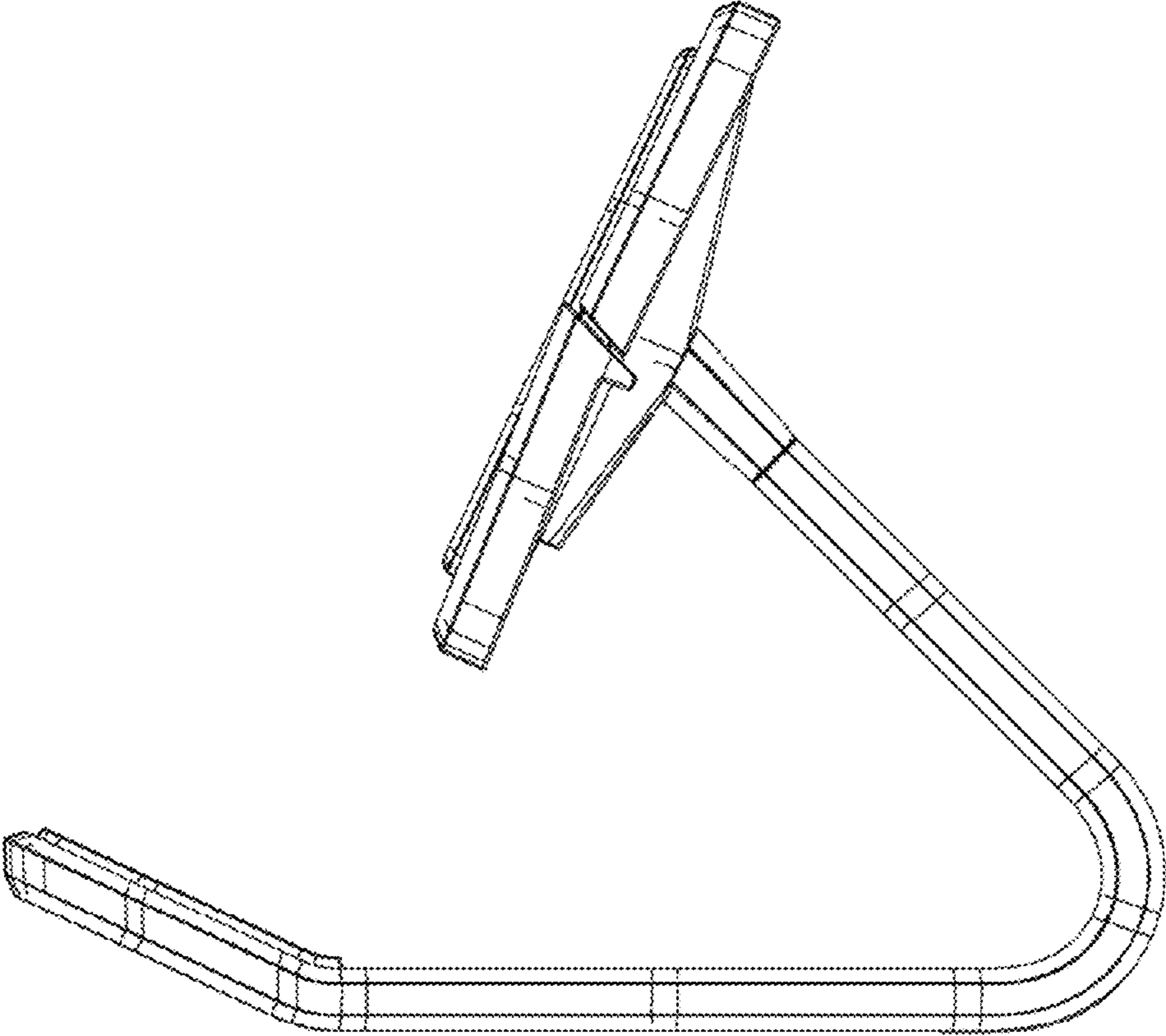


FIG. 22

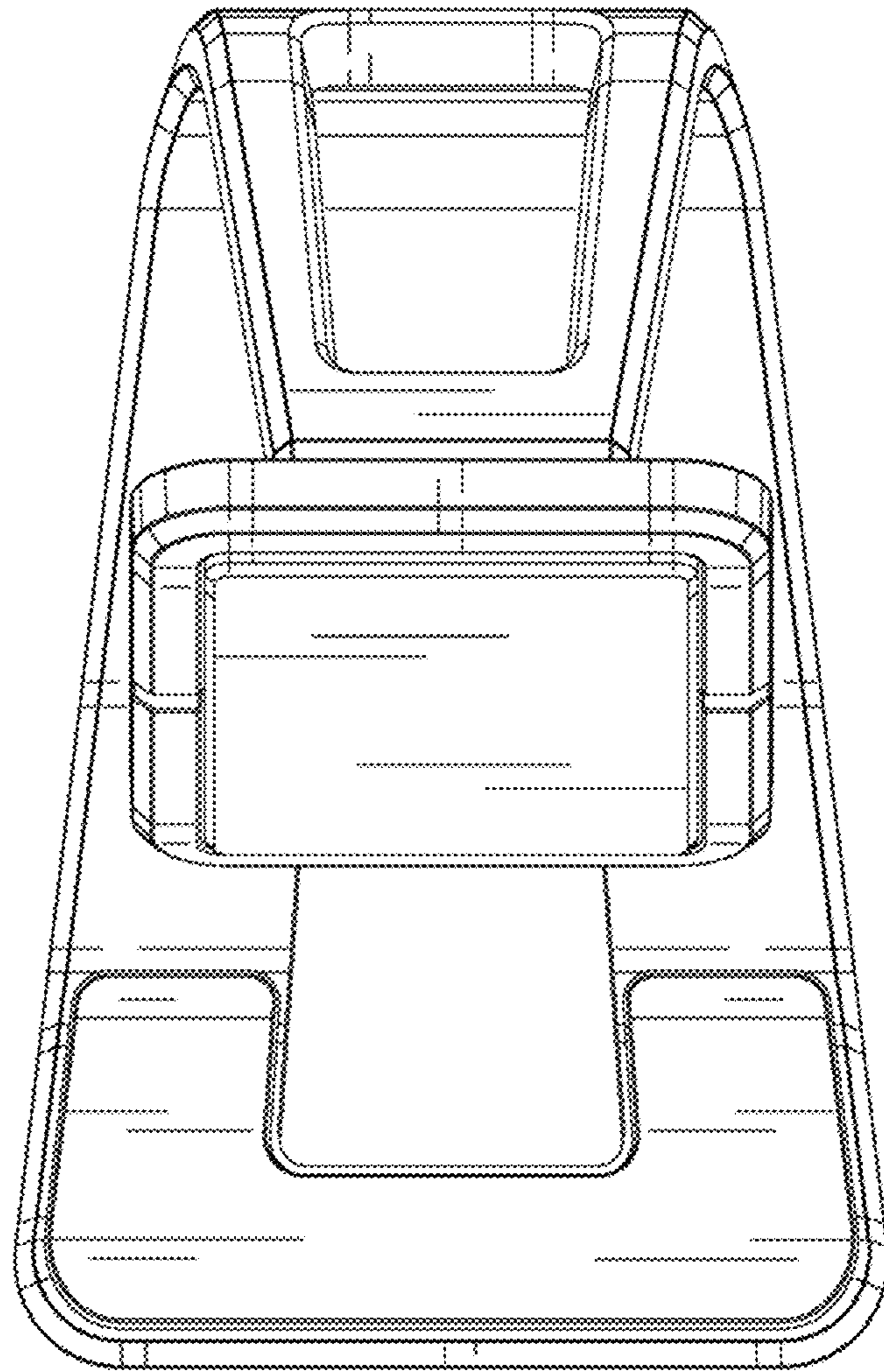


FIG. 23

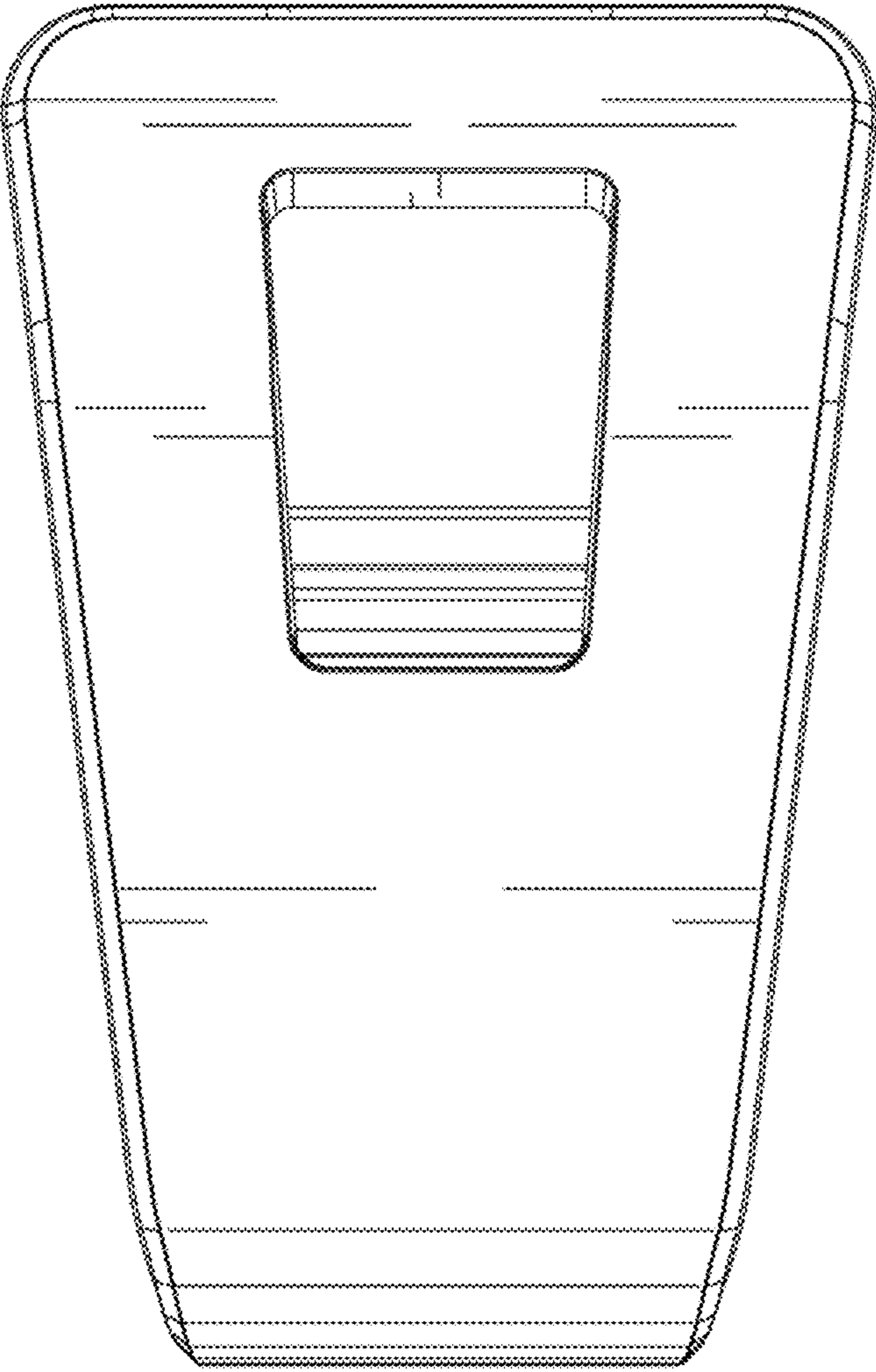


FIG. 24

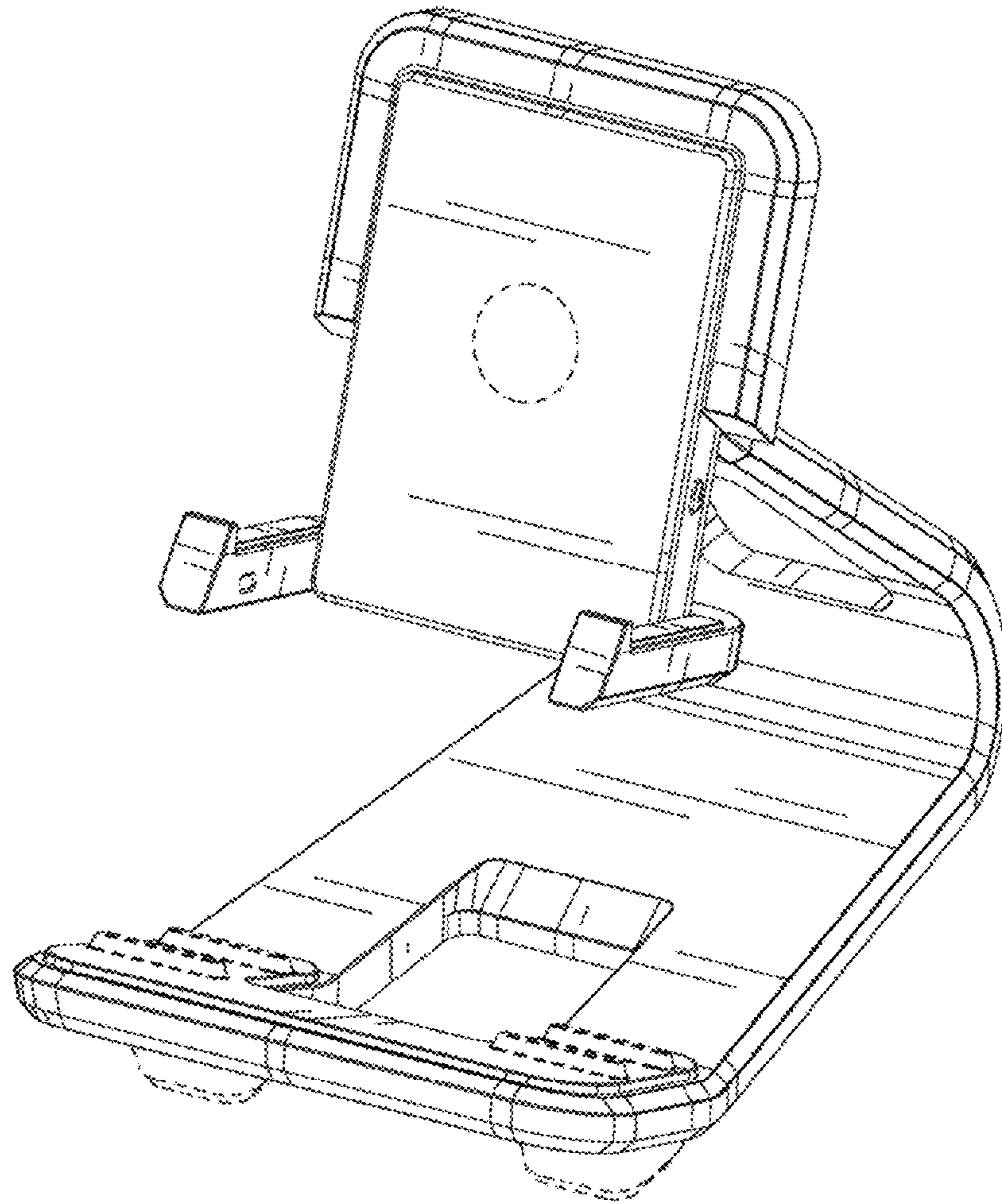


FIG. 25

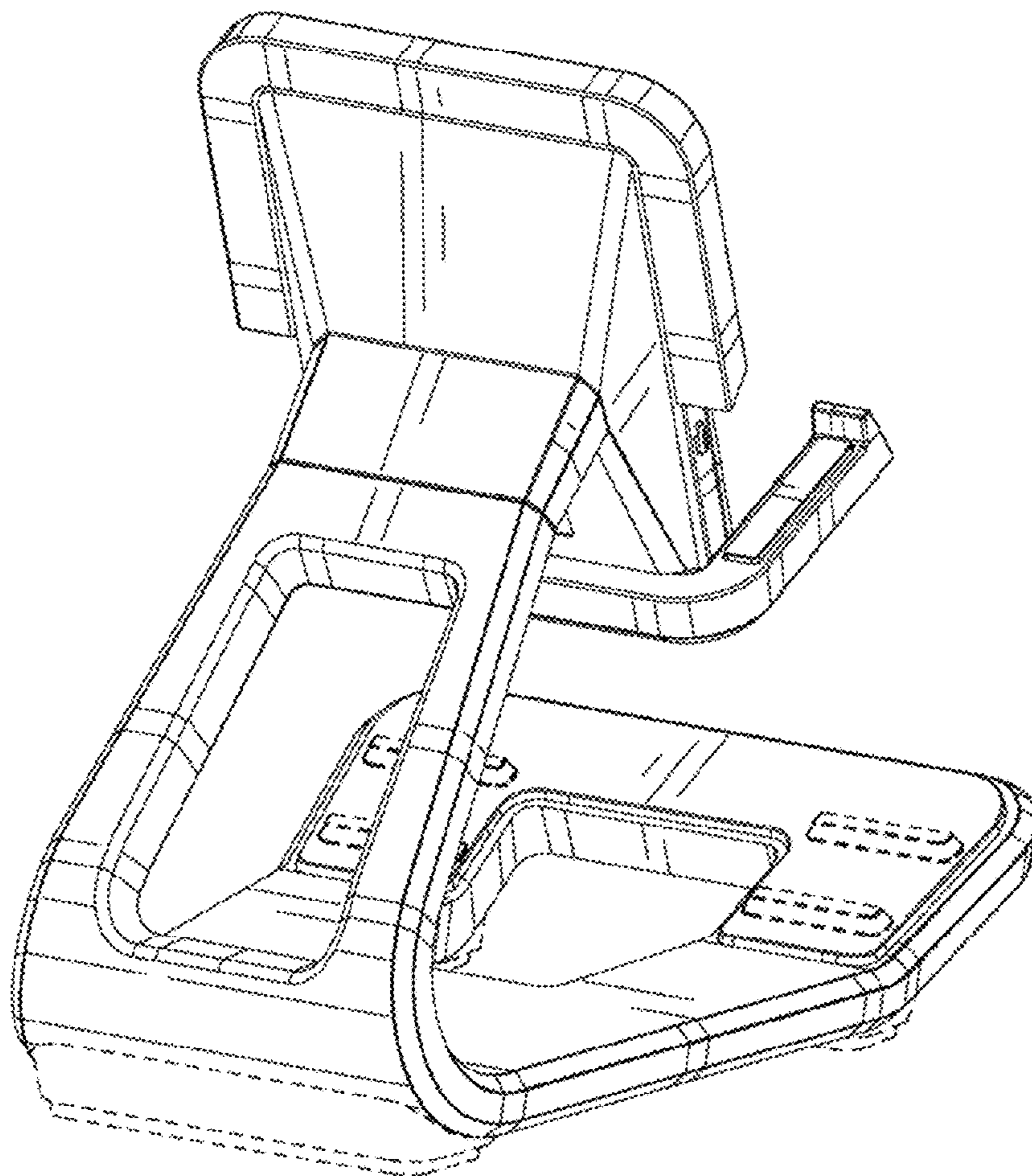


FIG. 26

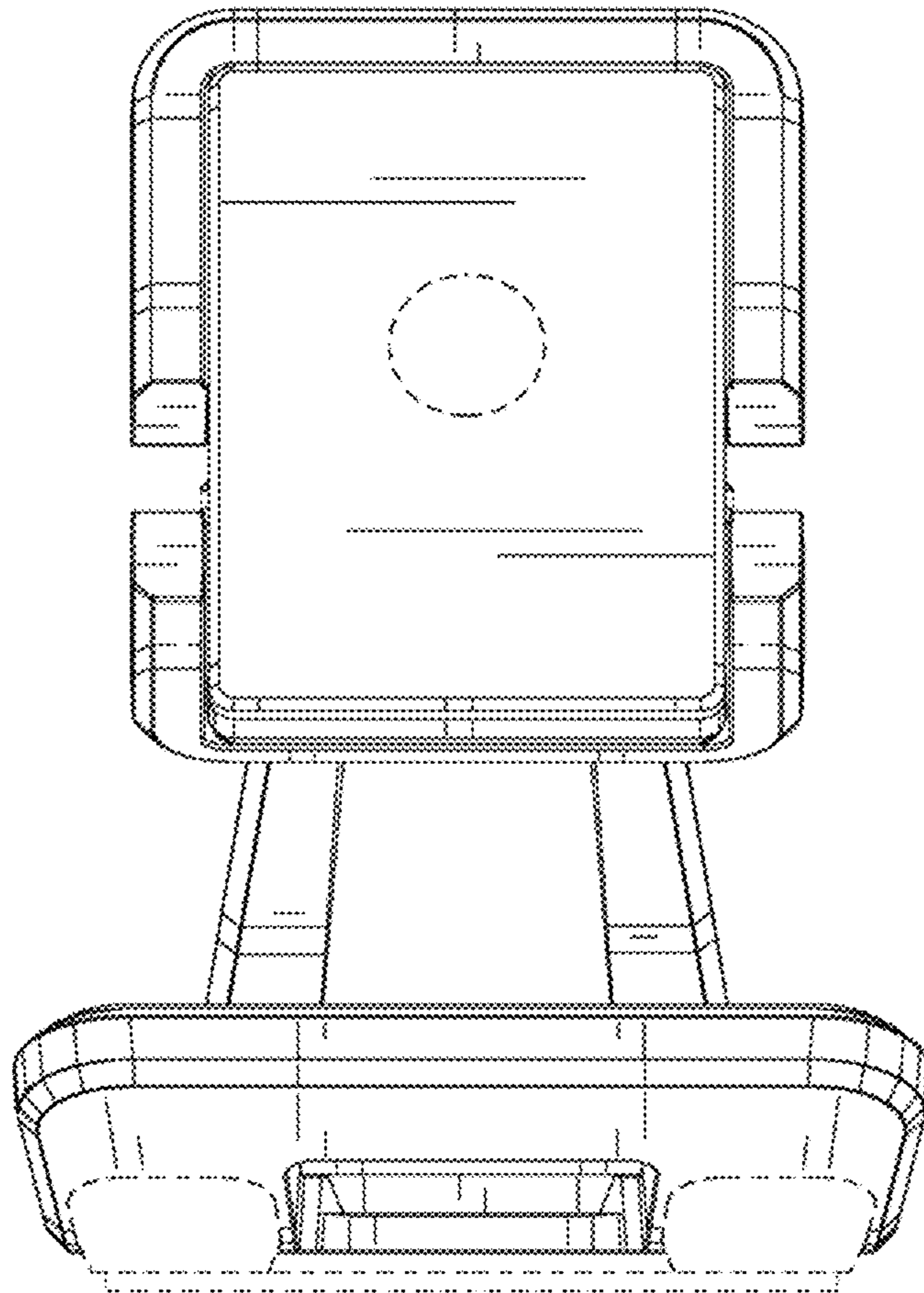


FIG. 27

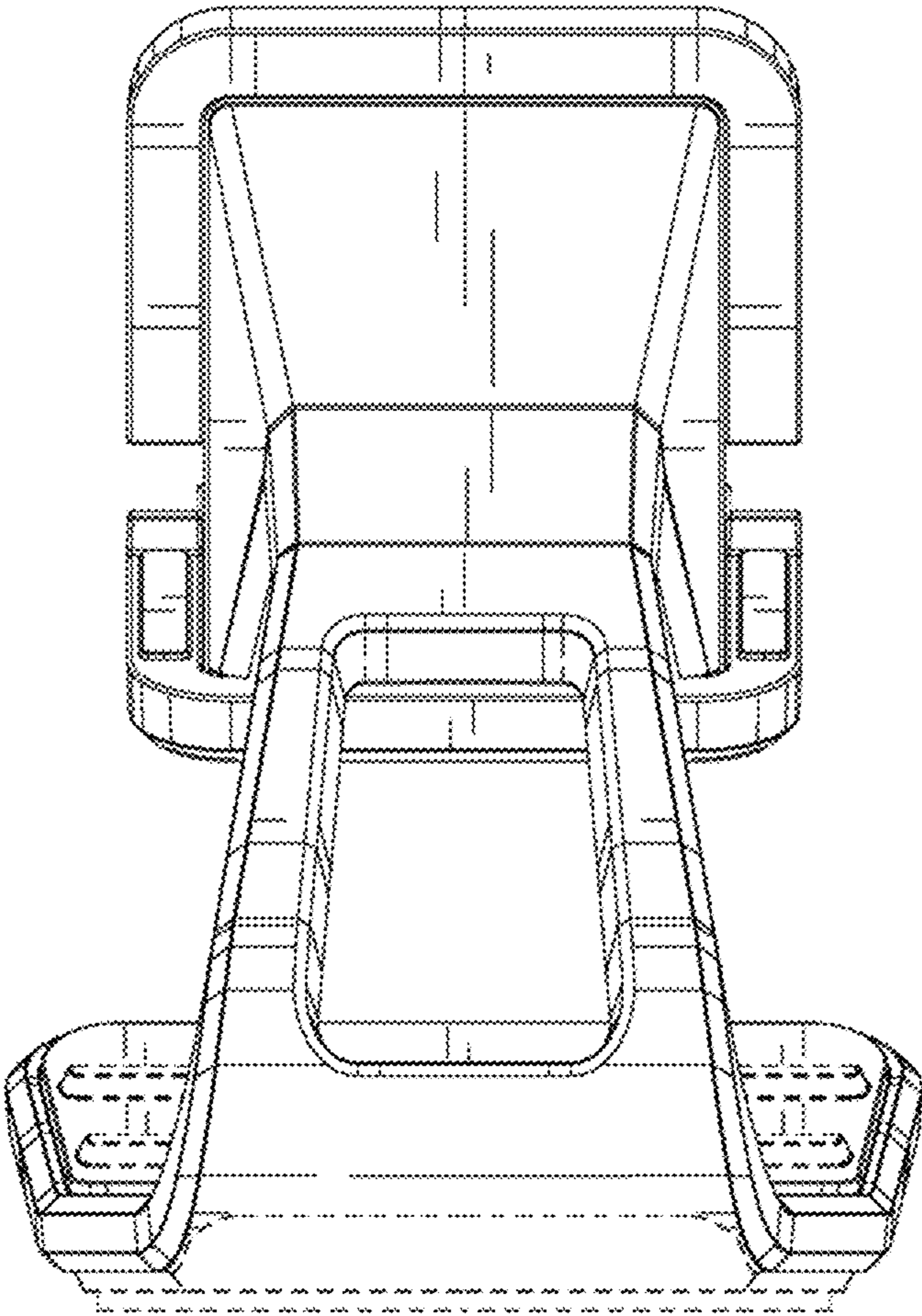


FIG. 28

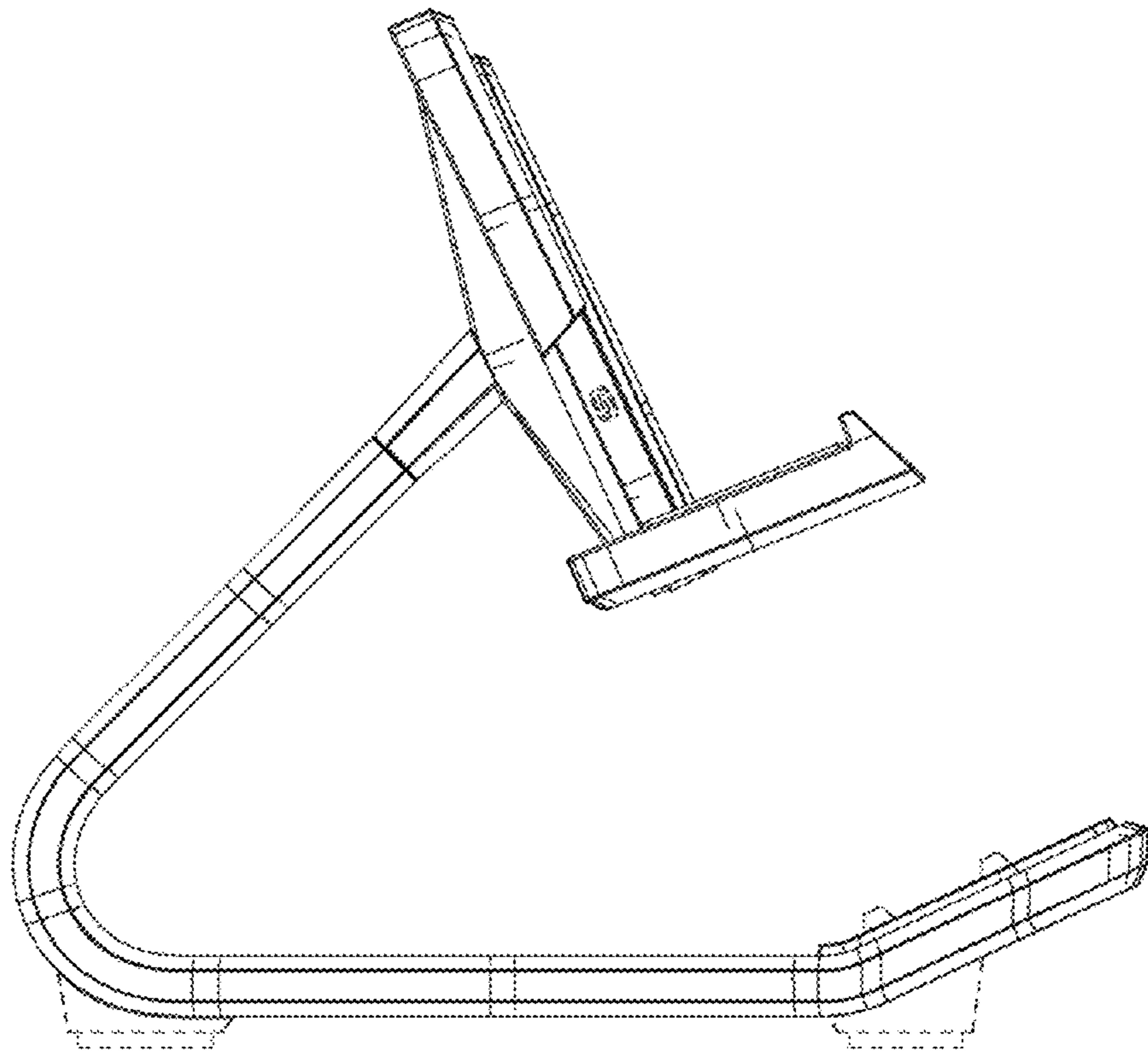


FIG. 29

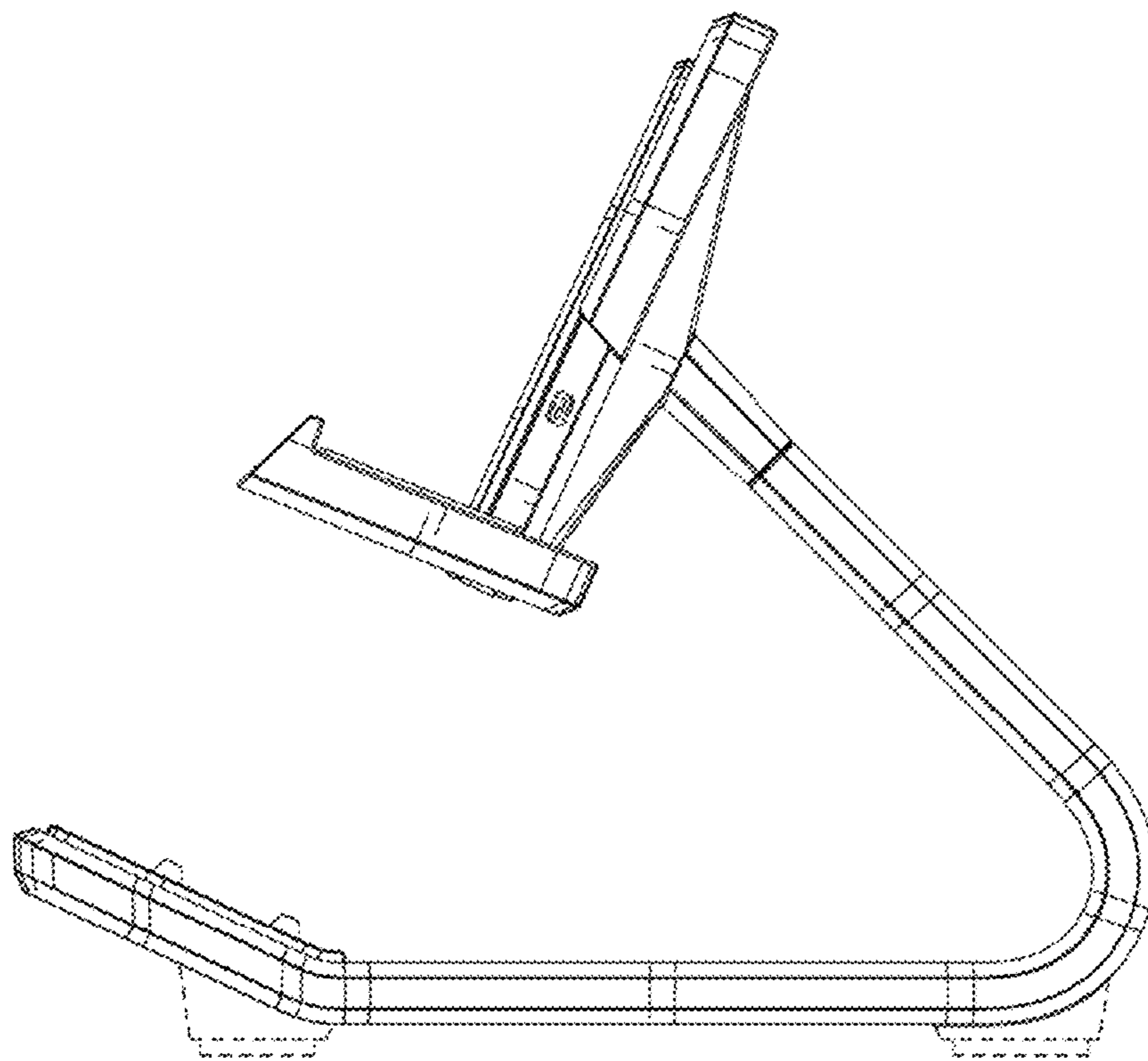


FIG. 30

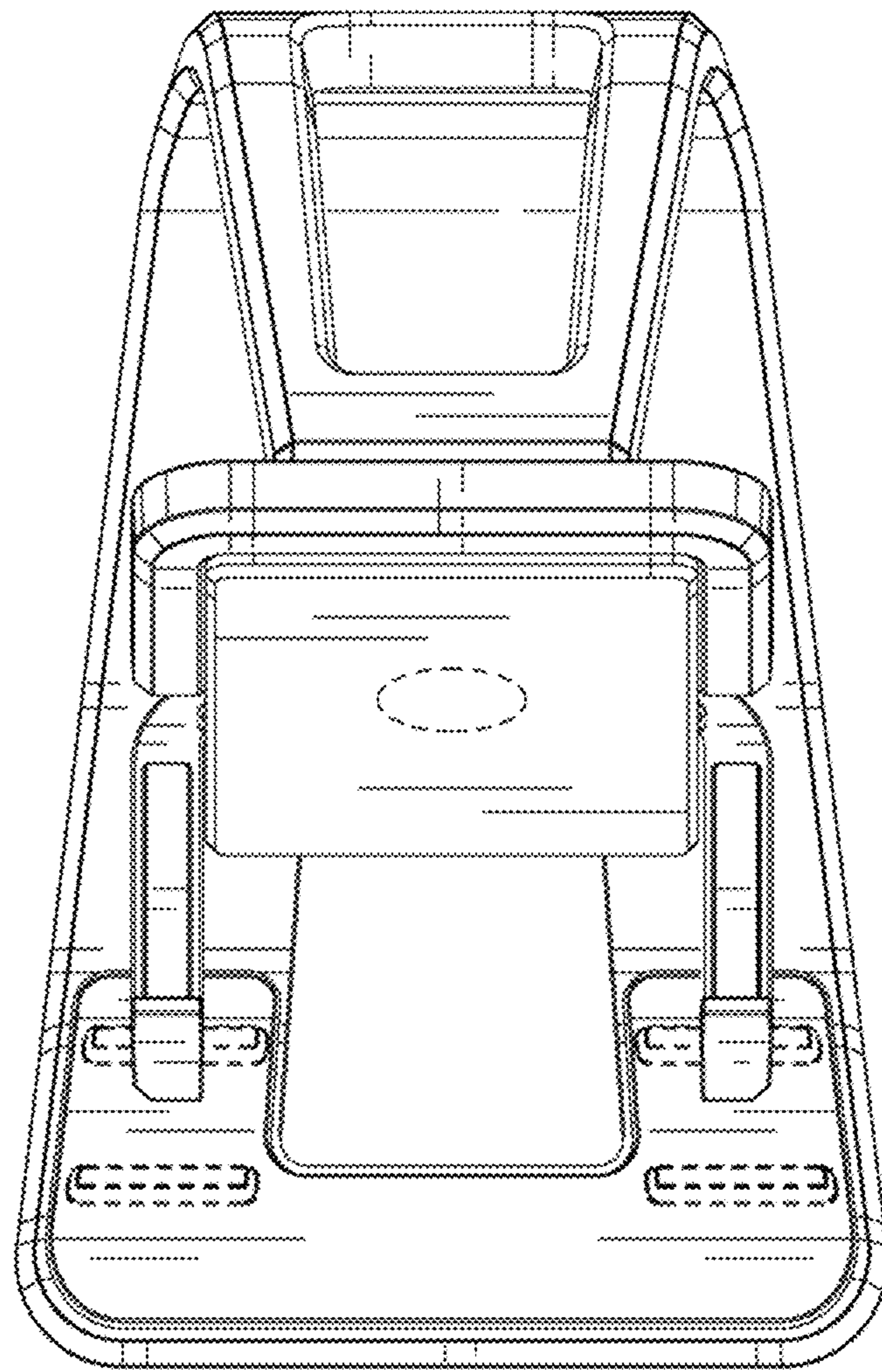


FIG. 31

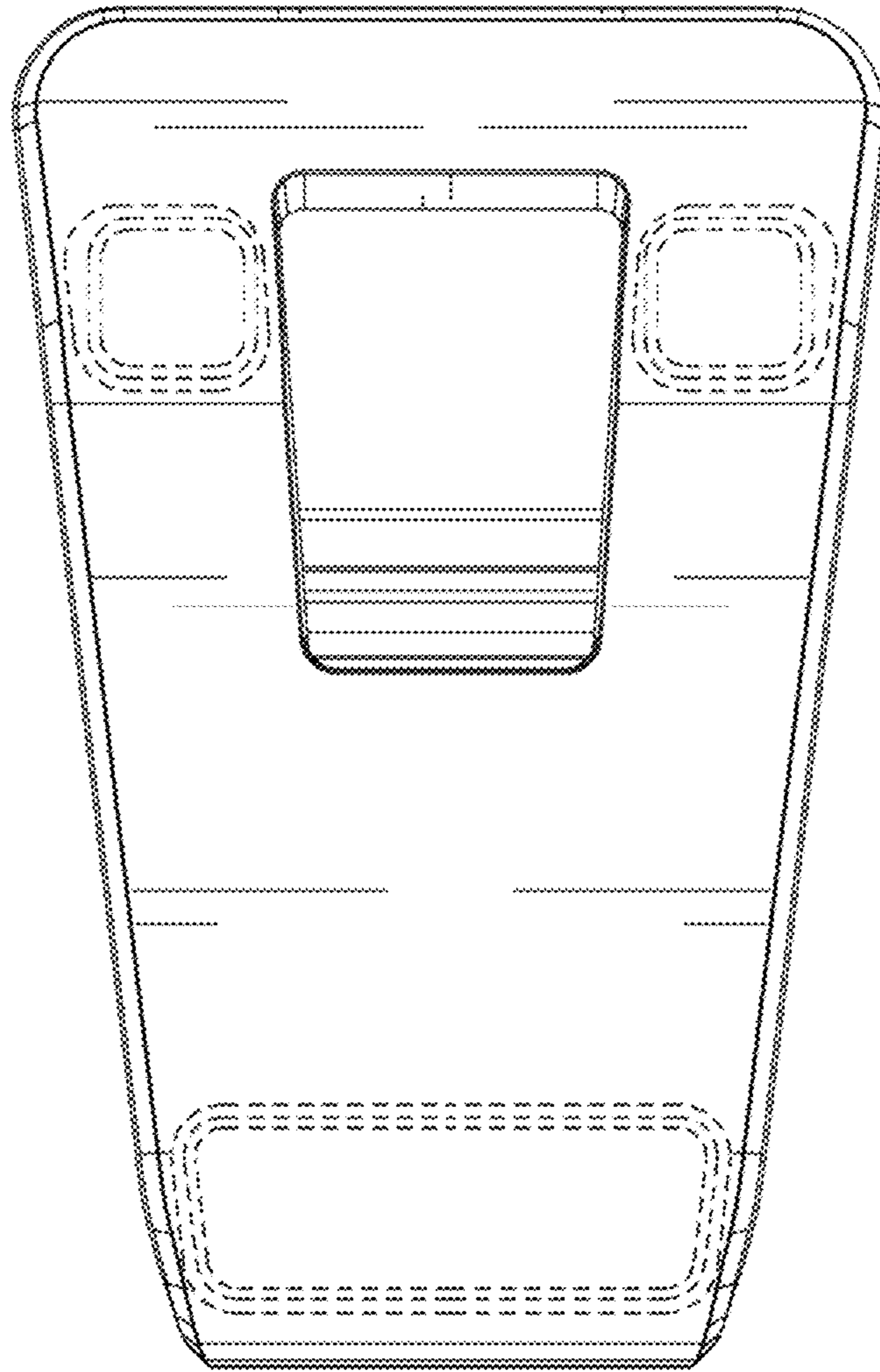


FIG. 32

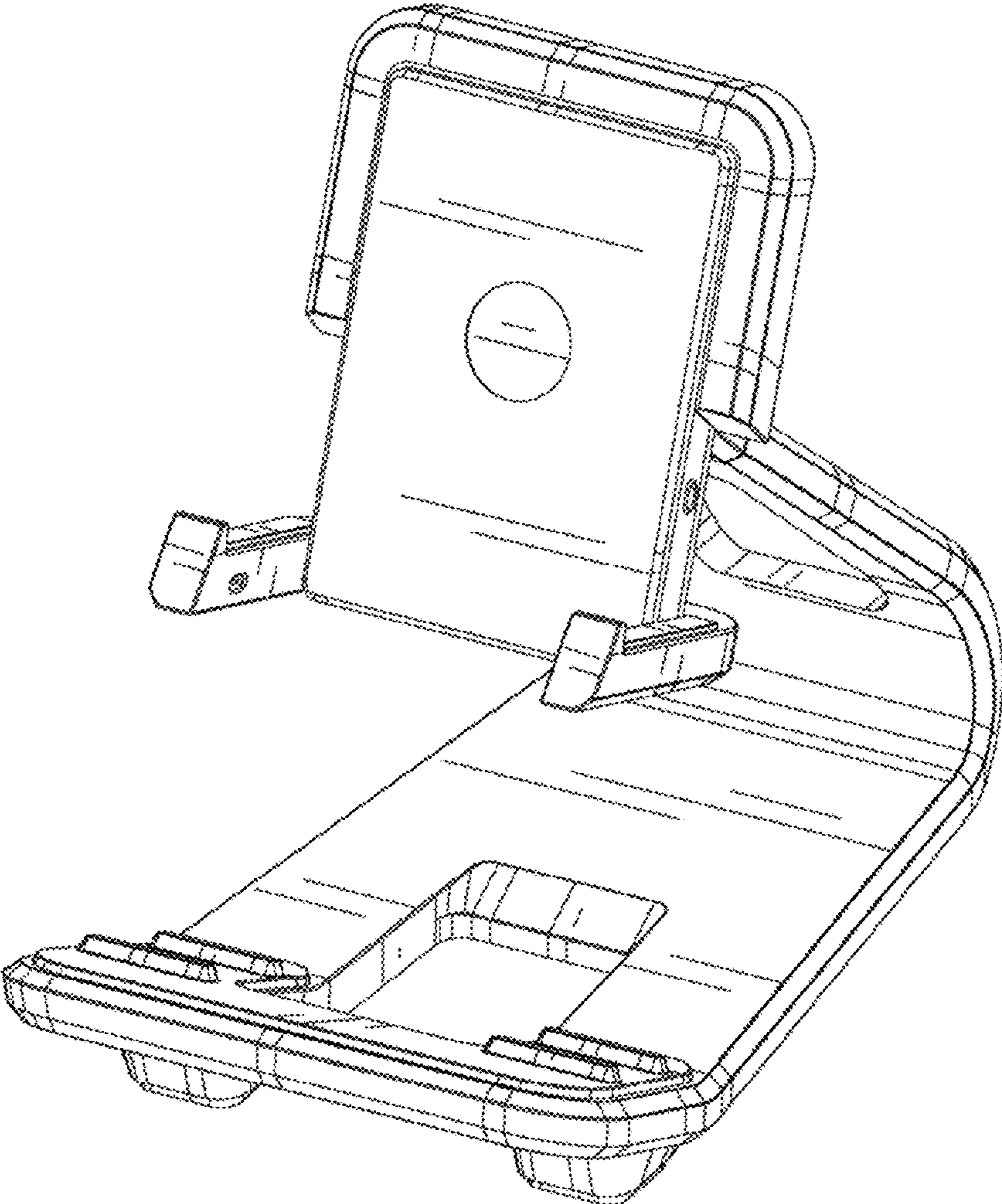


FIG. 33

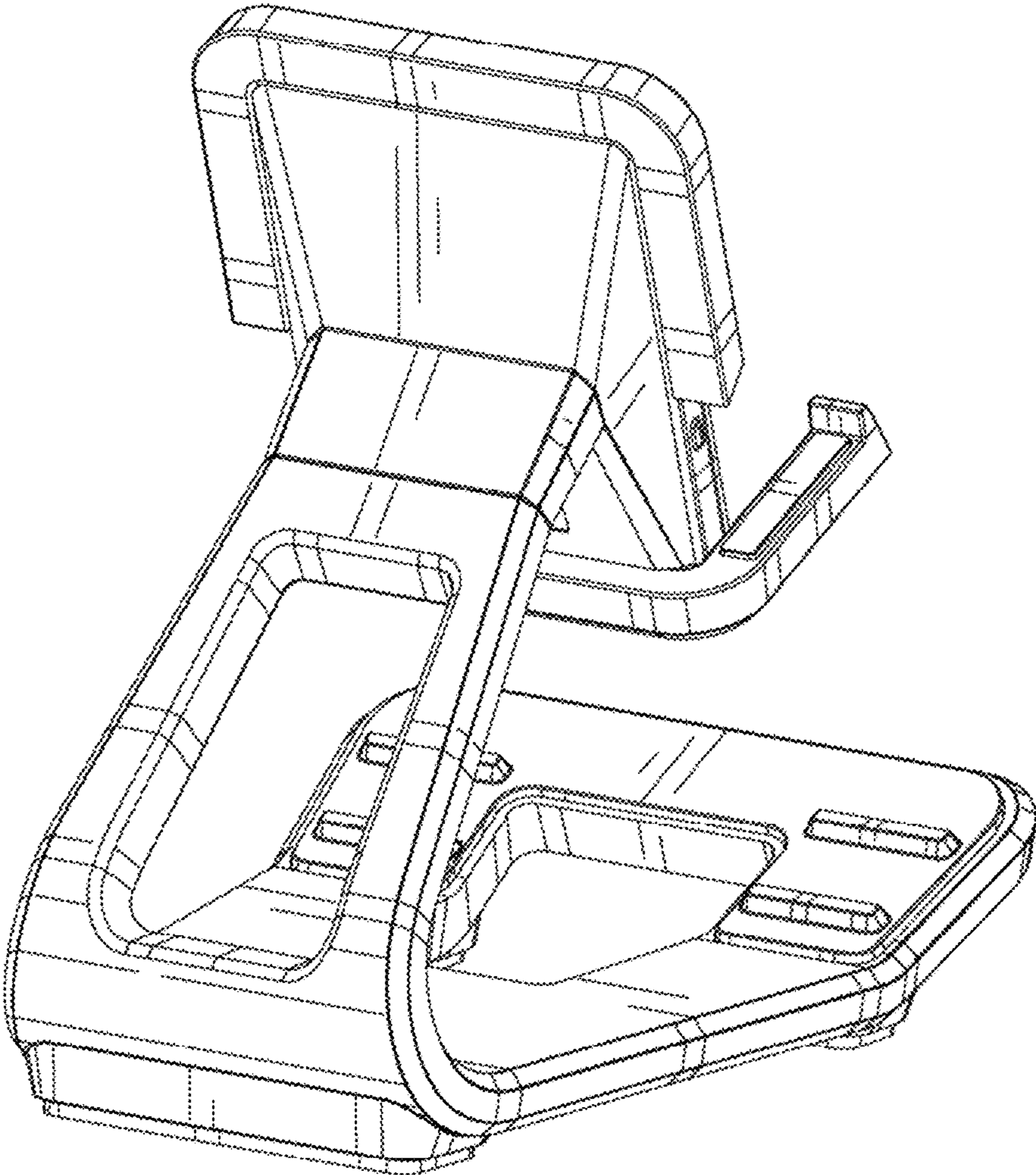


FIG. 34

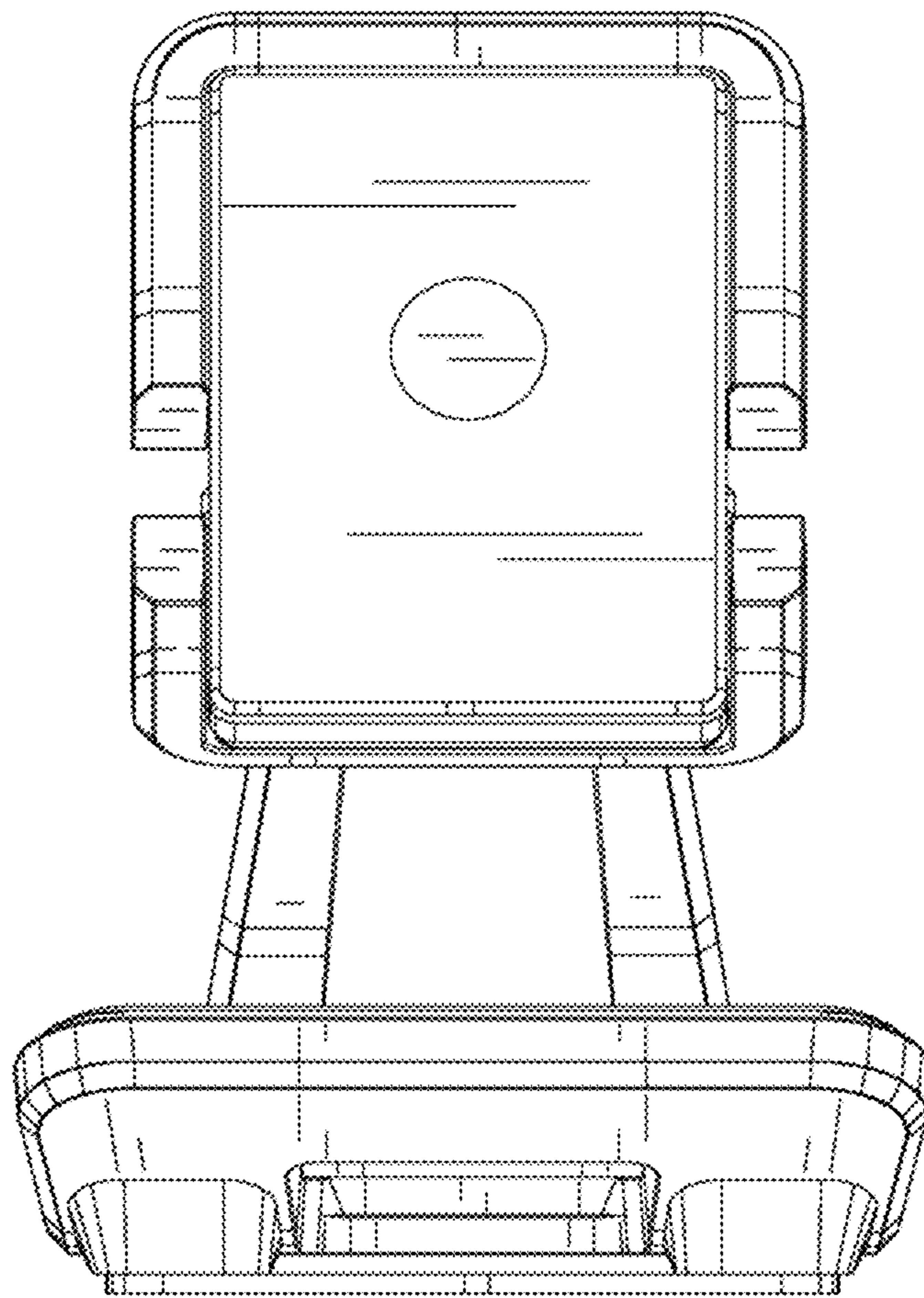


FIG. 35

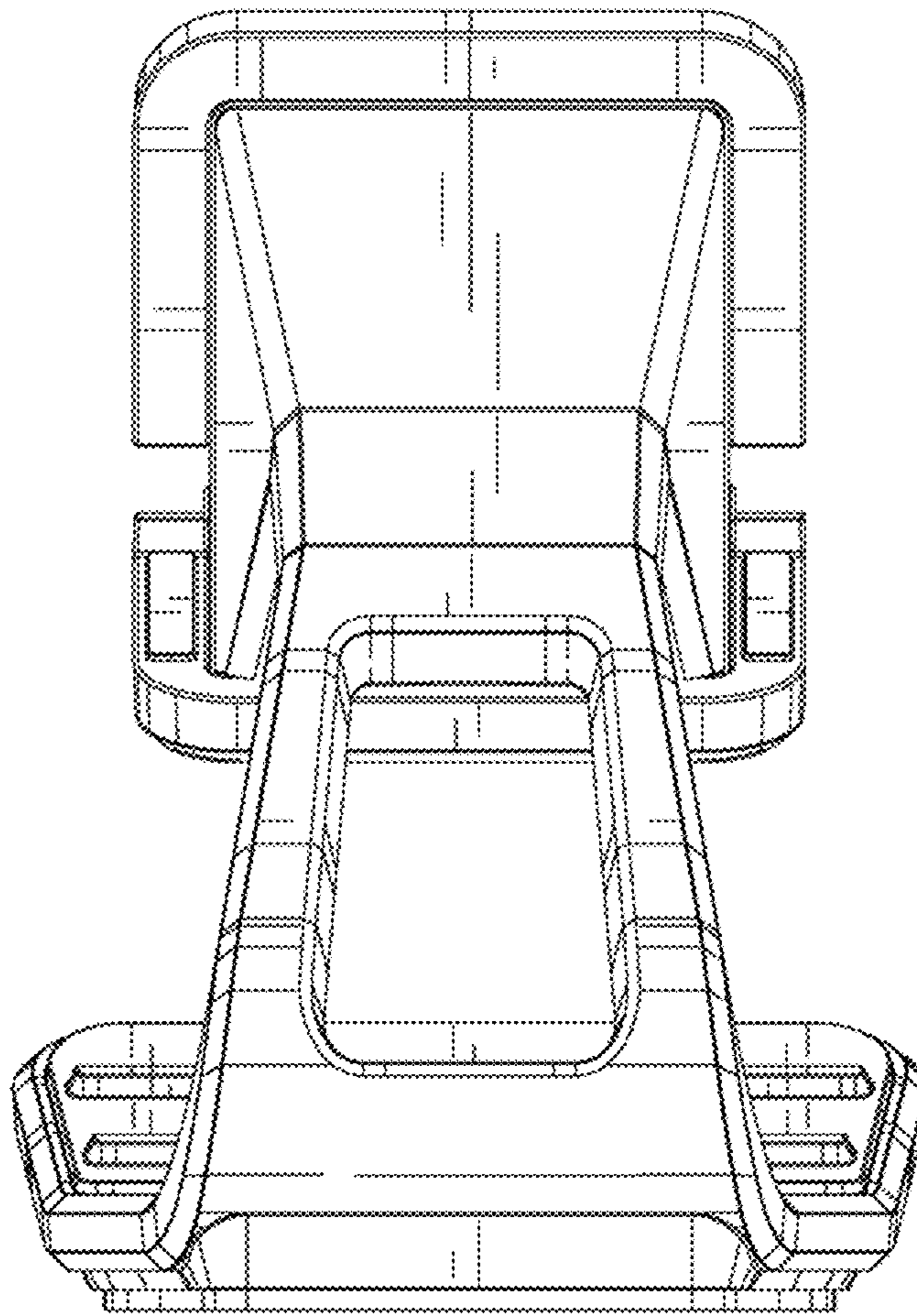


FIG. 36

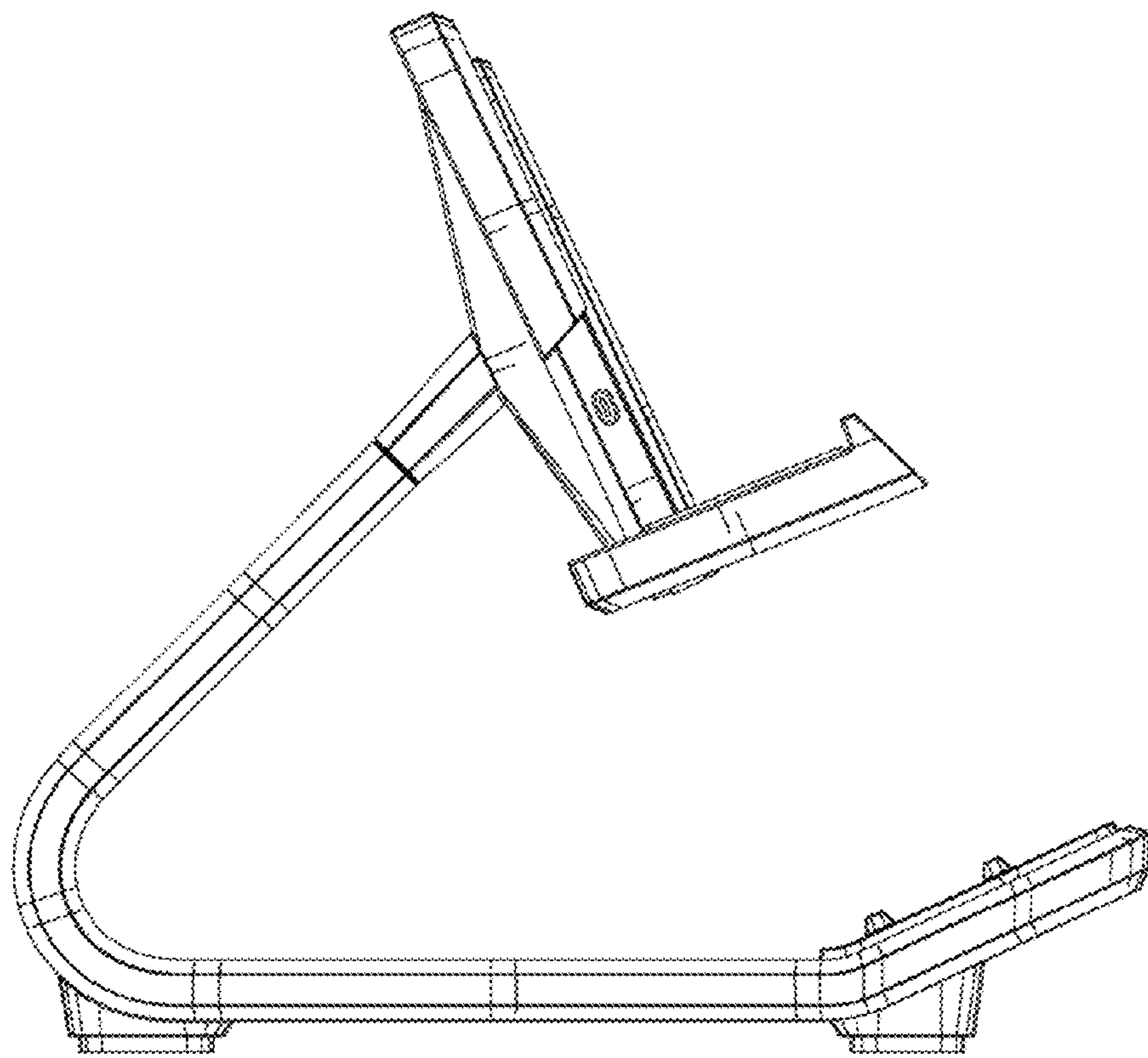


FIG. 37

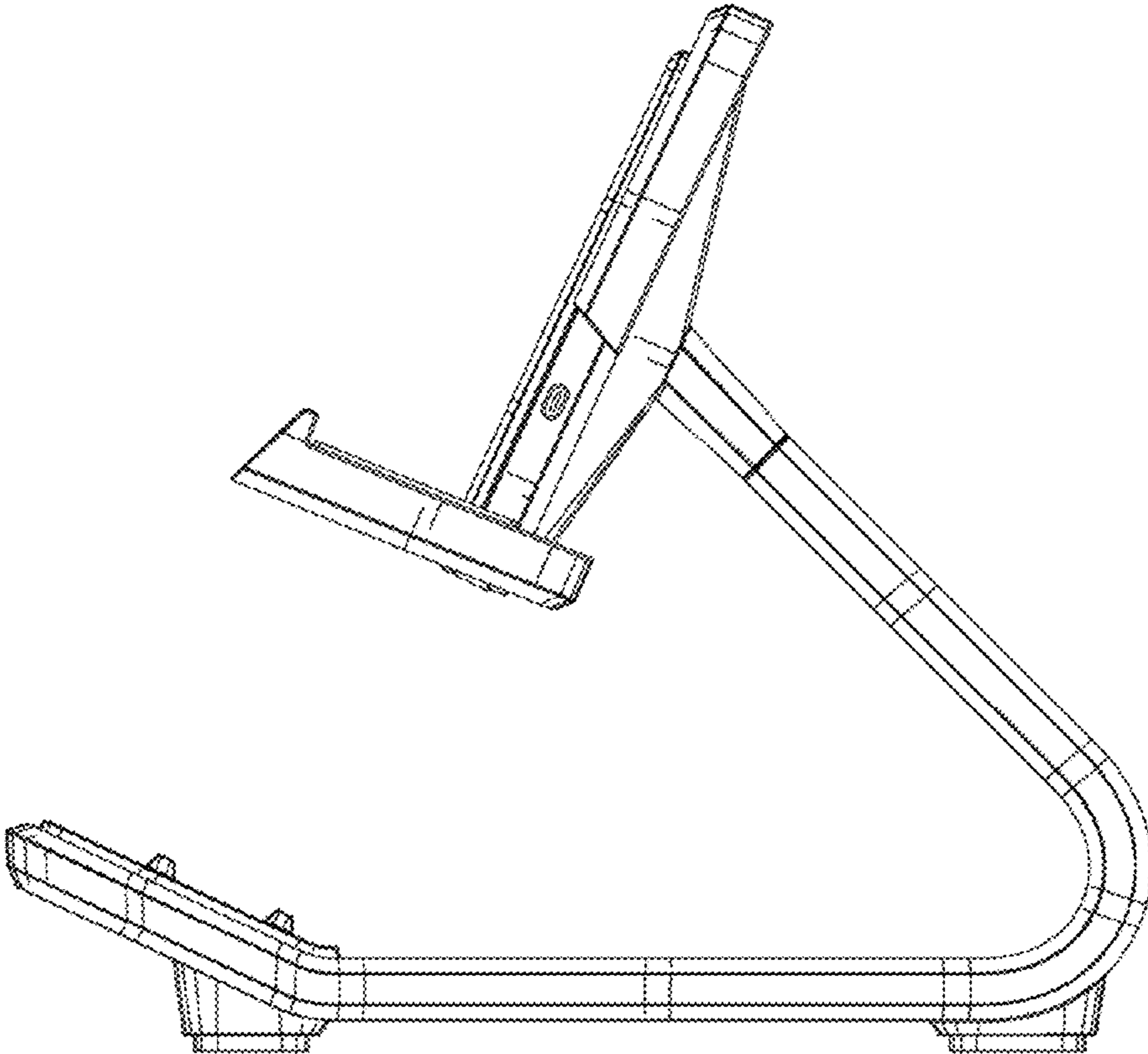


FIG. 38

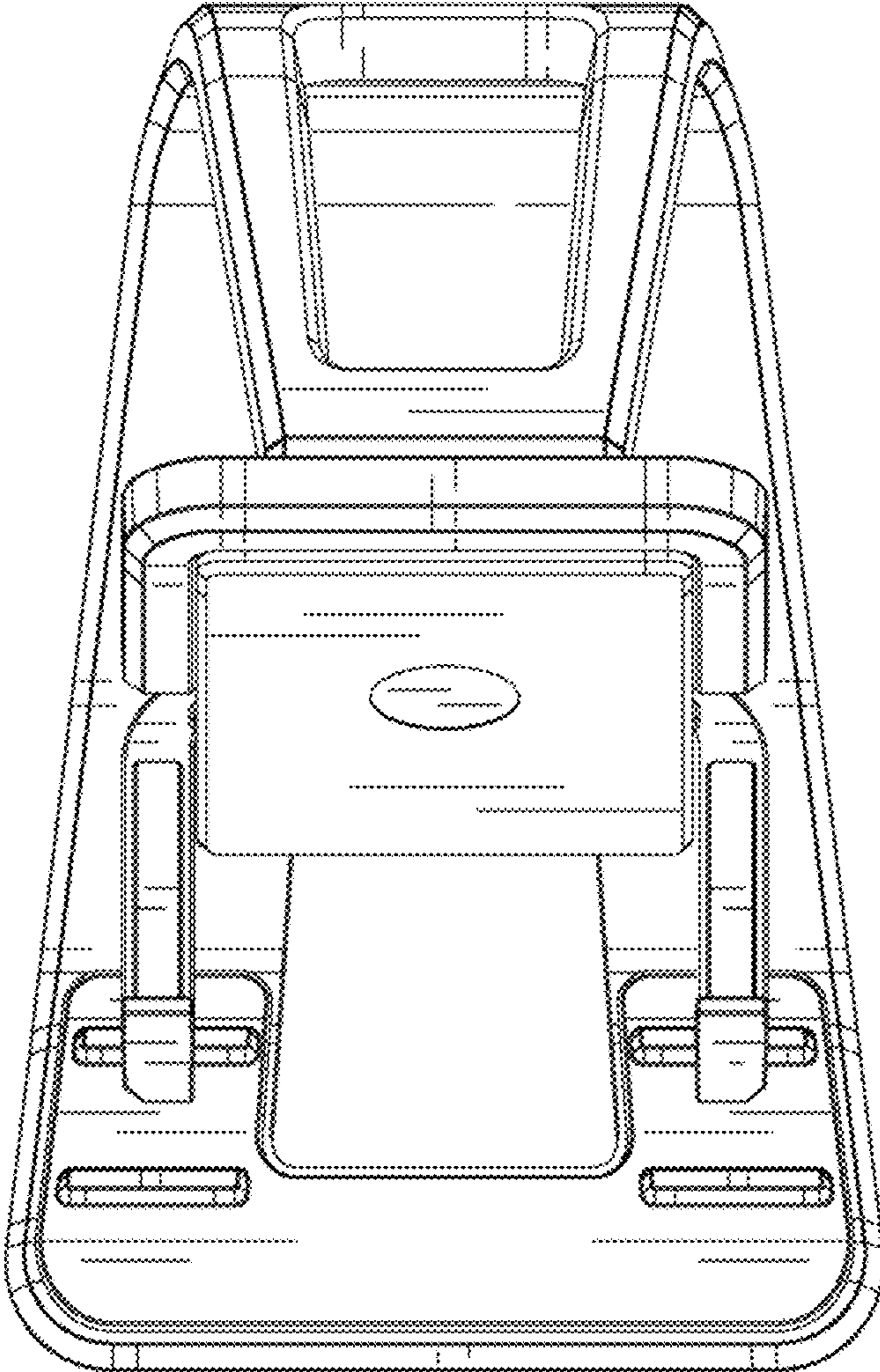


FIG. 39

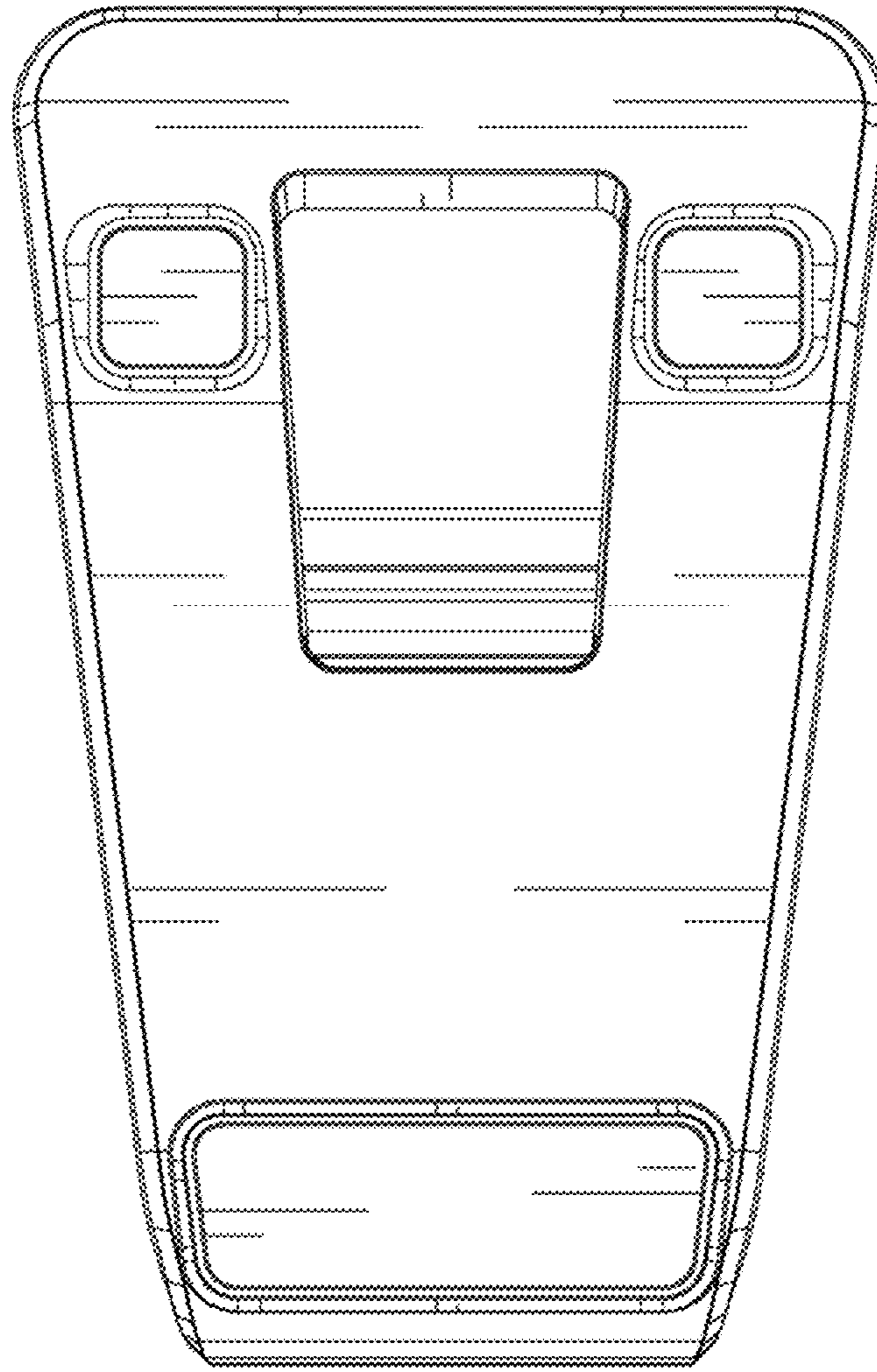


FIG. 40

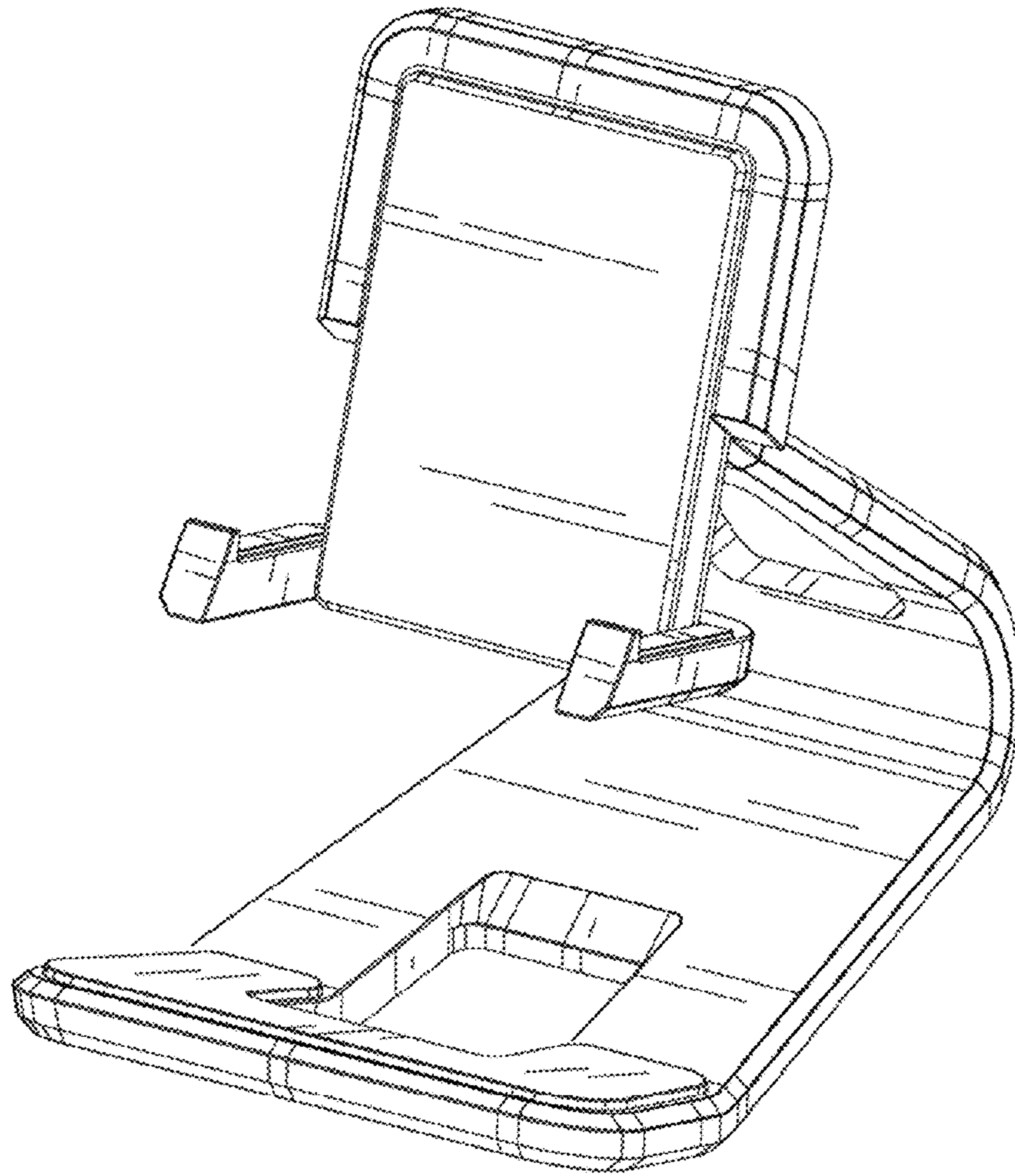


FIG. 41

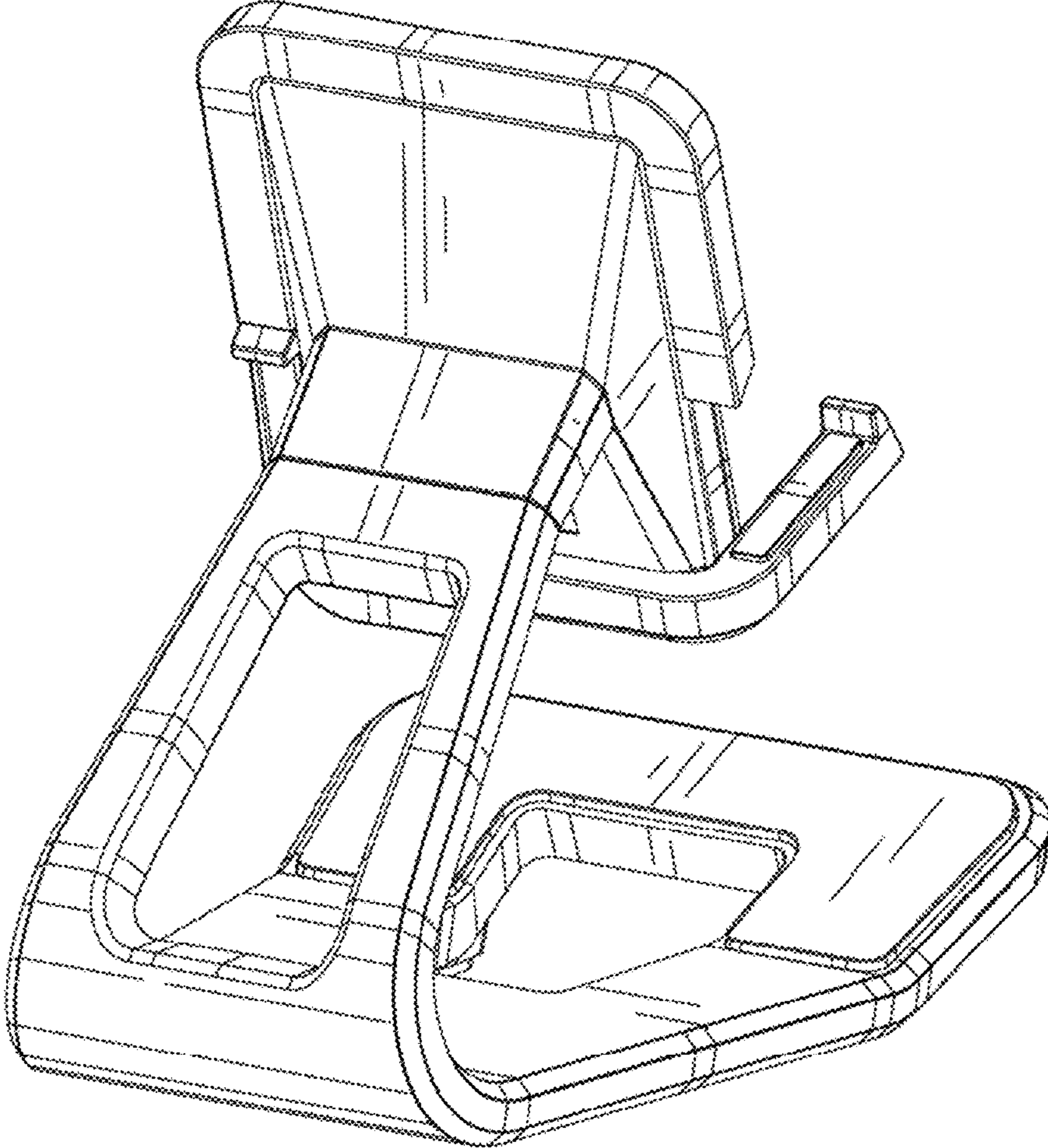


FIG. 42

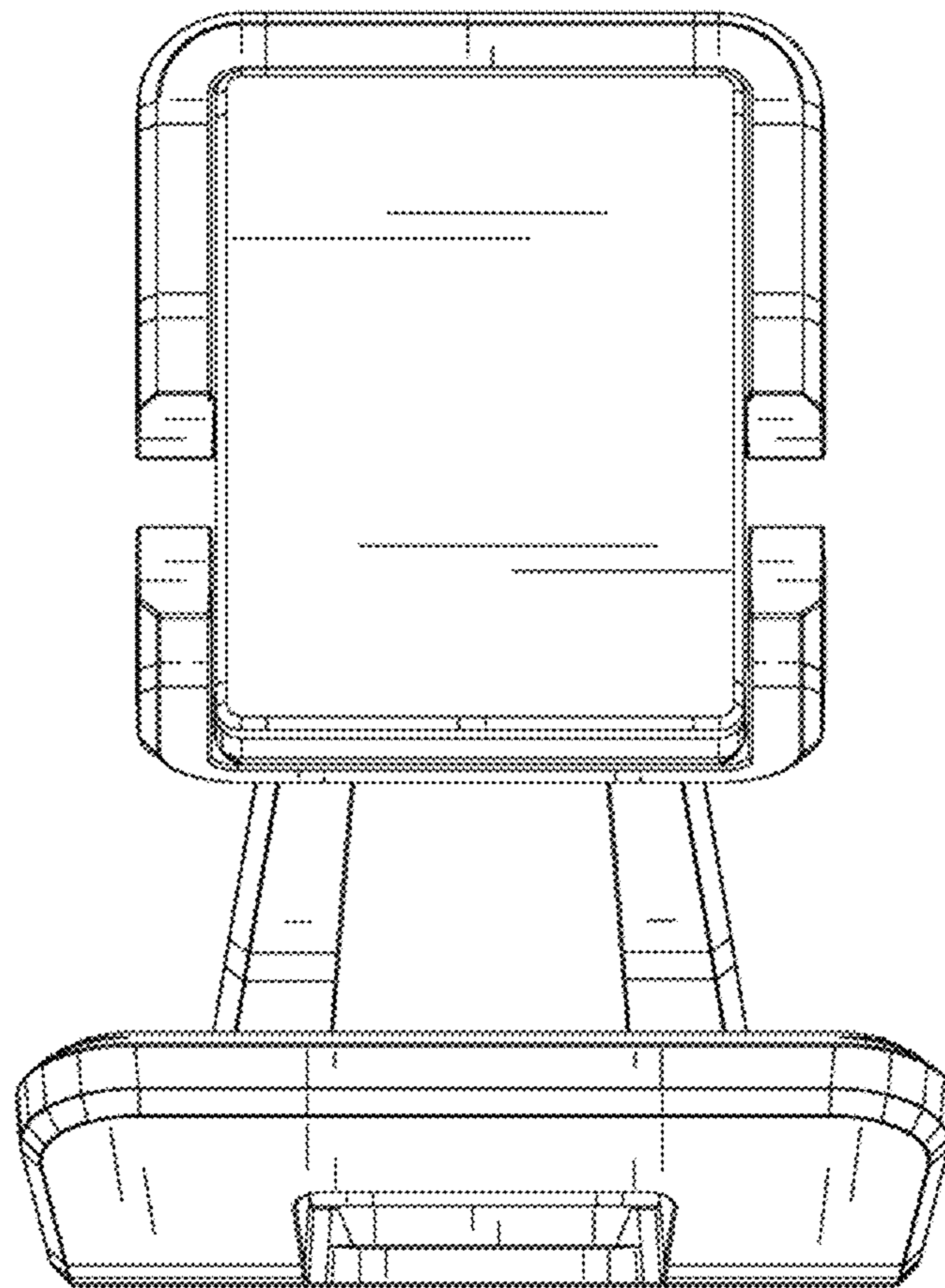


FIG. 43

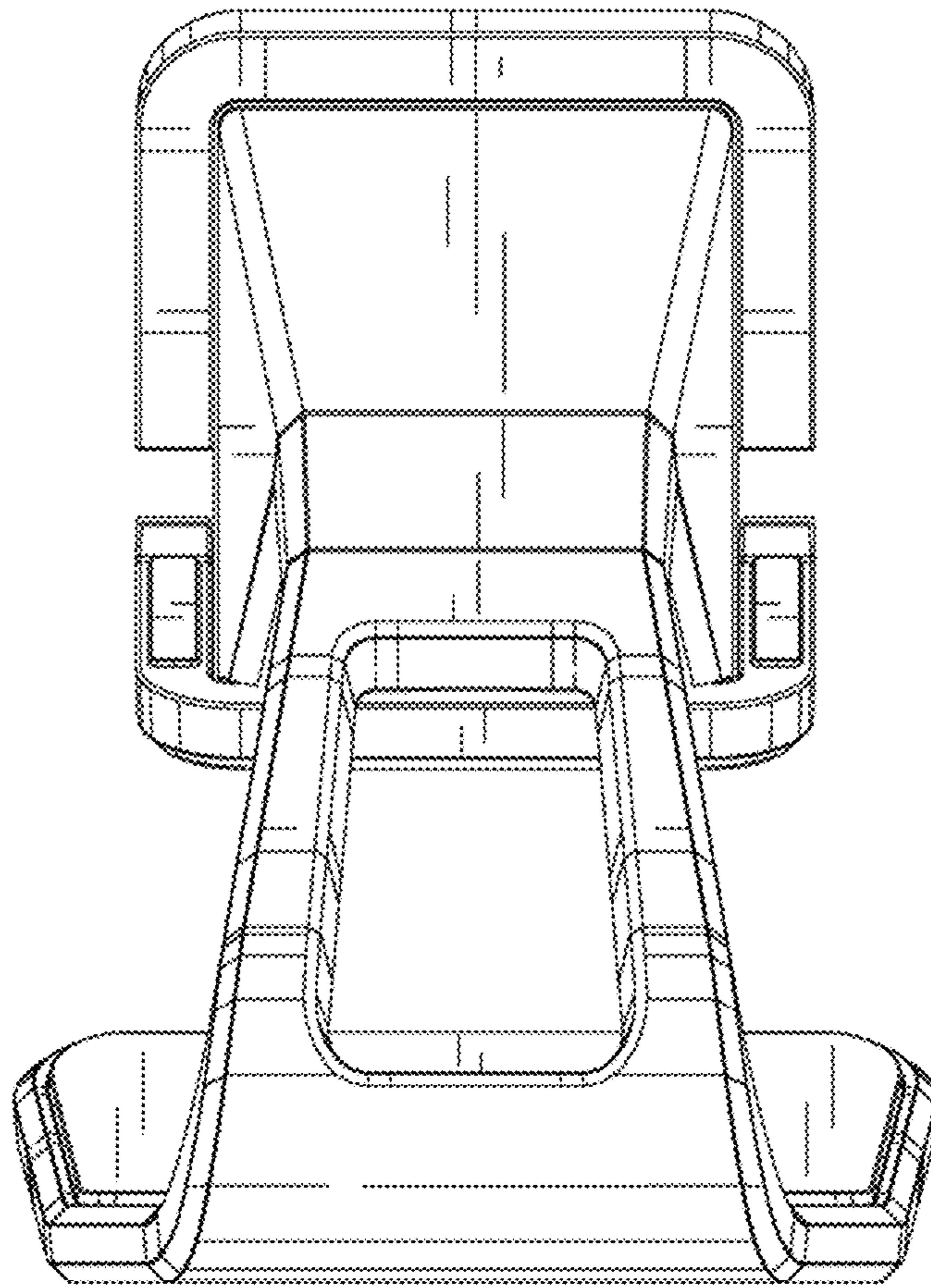


FIG. 44

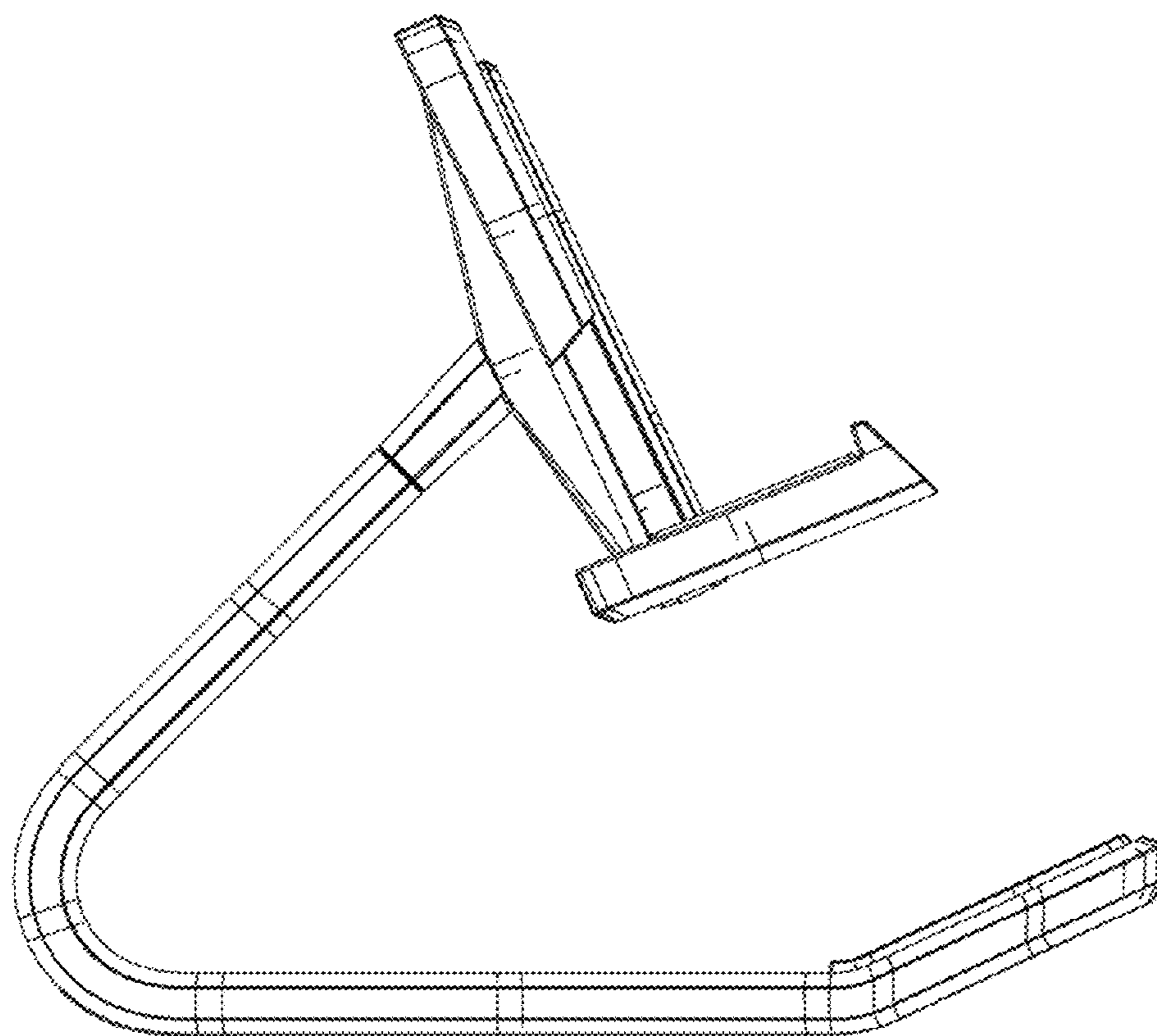


FIG. 45

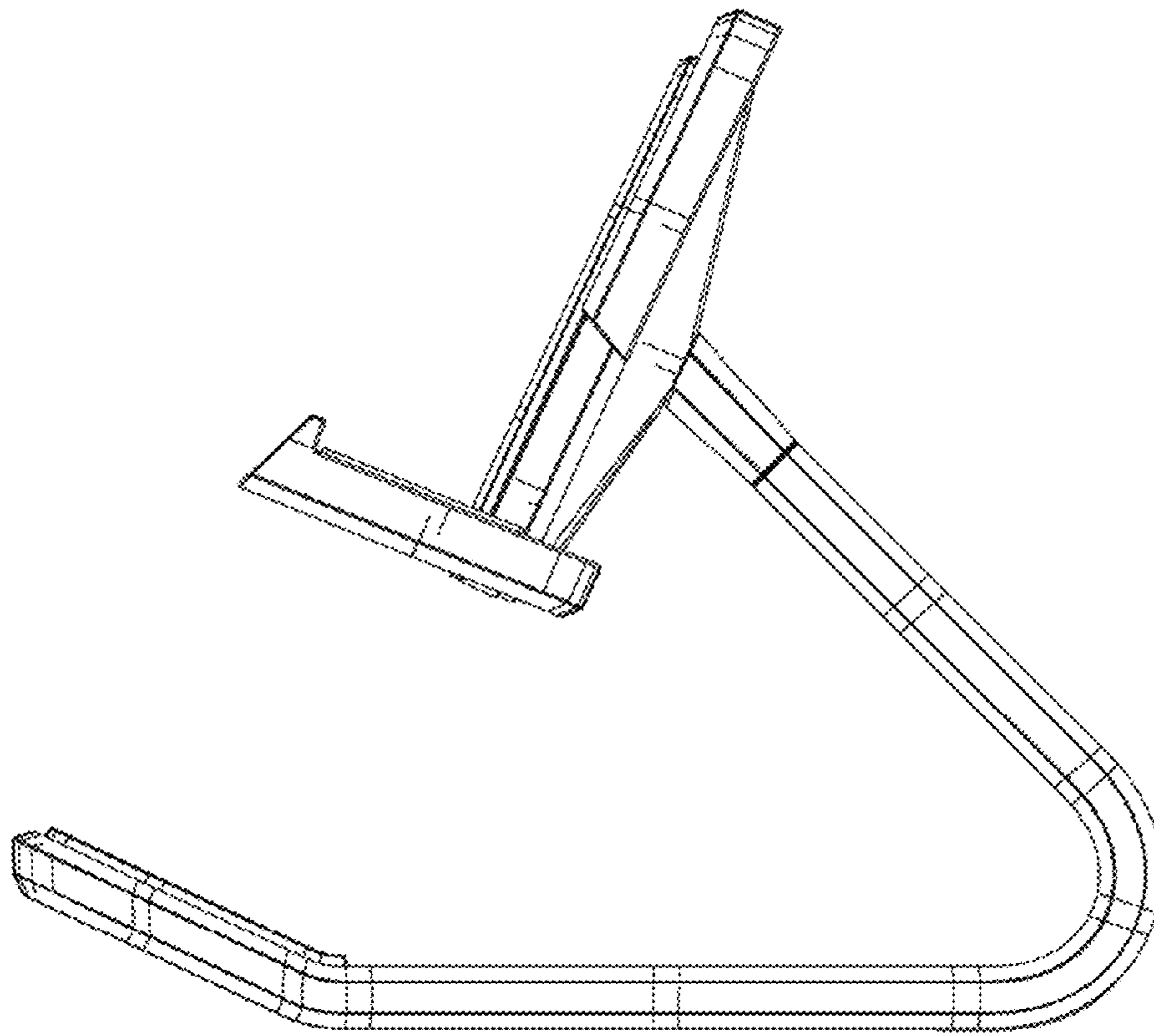


FIG. 46

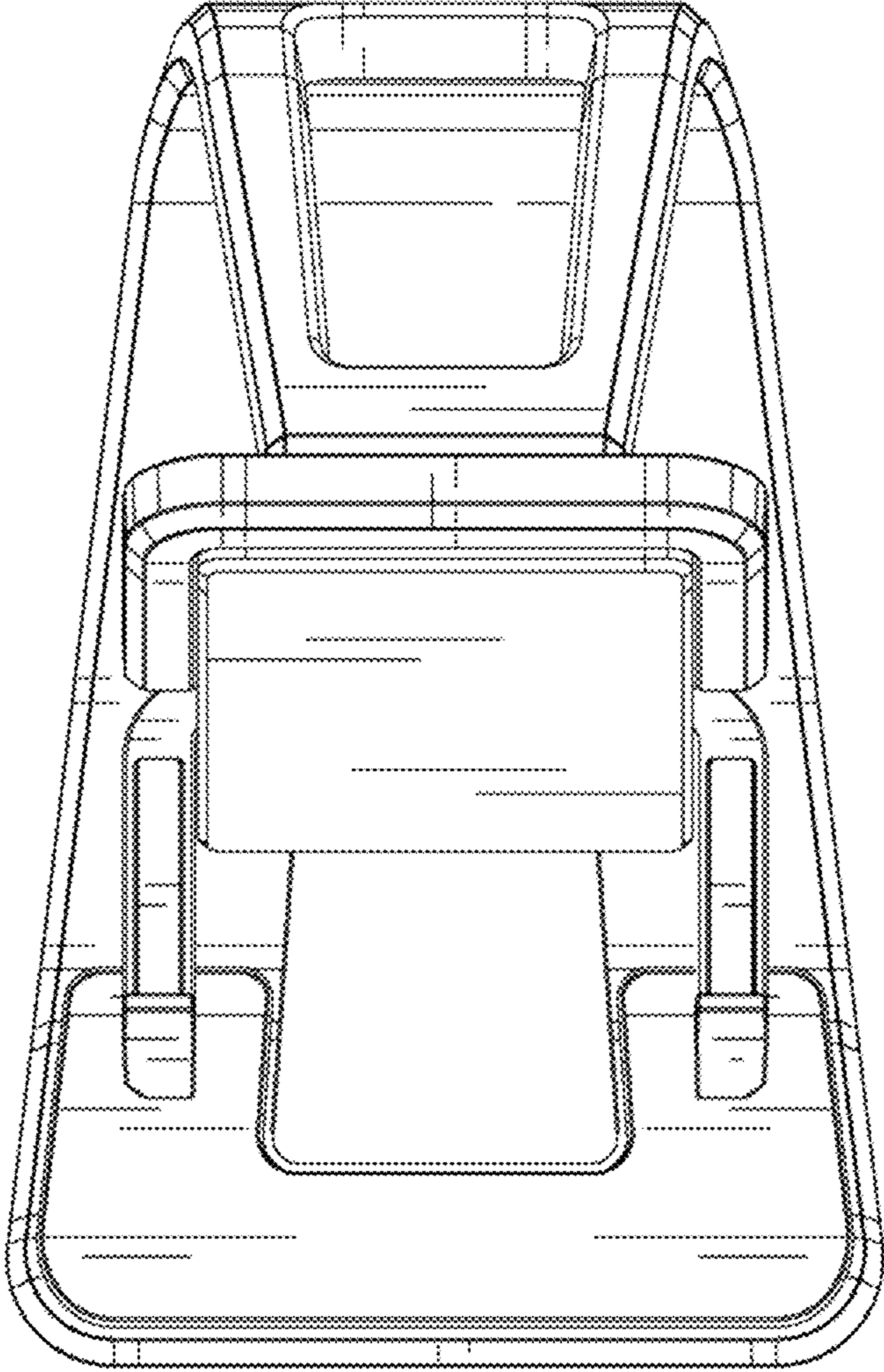


FIG. 47

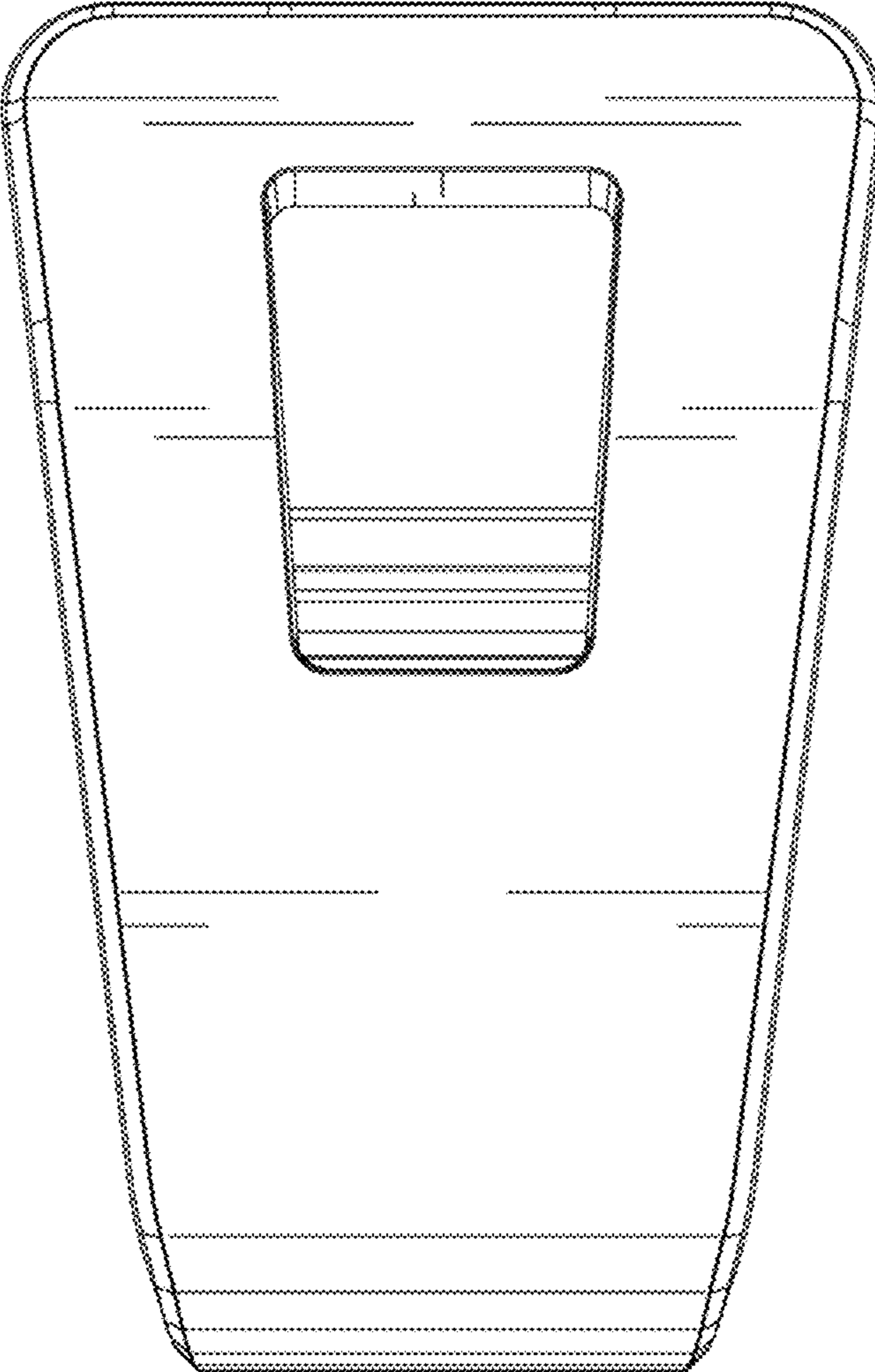


FIG. 48