



US00D689477S

(12) **United States Design Patent**  
**Baum et al.**

(10) **Patent No.:** **US D689,477 S**  
(45) **Date of Patent:** **\*\* Sep. 10, 2013**

(54) **FLEXIBLE GARMENT FOR SUPPORTING A SMALL PORTABLE ELECTRONIC DEVICE**

*Primary Examiner* — Randall Gholson  
(74) *Attorney, Agent, or Firm* — David A. Burge

(76) Inventors: **Lawrence M. Baum**, Shaker Heights, OH (US); **Geoffrey S. Gardner**, Solon, OH (US)

(\*\*) Term: **14 Years**

(21) Appl. No.: **29/421,455**

(22) Filed: **Jul. 30, 2012**

(57) **CLAIM**  
We claim the ornamental design for a flexible garment for supporting a small portable electronic device, as shown and described.

**Related U.S. Application Data**

(60) Division of application No. 29/370,825, filed on Sep. 10, 2010, now Pat. No. Des. 667,172, which is a continuation-in-part of application No. 29/316,223, filed on Sep. 1, 2009, now Pat. No. Des. 649,718, and a continuation-in-part of application No. 12/584,292, filed on Sep. 1, 2009.

(51) **LOC (9) Cl.** ..... **14-03**

(52) **U.S. Cl.**  
USPC ..... **D14/253**

(58) **Field of Classification Search**  
USPC ..... D3/215, 218, 219, 224–226, 247–251, D3/230, 303; 224/219, 222, 269, 240, 583; 206/320; D14/251–253  
See application file for complete search history.

(56) **References Cited**

**U.S. PATENT DOCUMENTS**

57,283 A	8/1866	Brown	30/123.5
275,780 A	4/1883	Mahar	224/217
471,000 A	3/1892	Green	224/217
552,171 A	12/1895	Farnham	473/36
1,082,542 A	12/1913	Manson	223/101

(Continued)

**OTHER PUBLICATIONS**

5-Page Printout From [www.iskin.com](http://www.iskin.com) Describing Product Called Iskin-Pulse Dated Sep. 9, 2010.

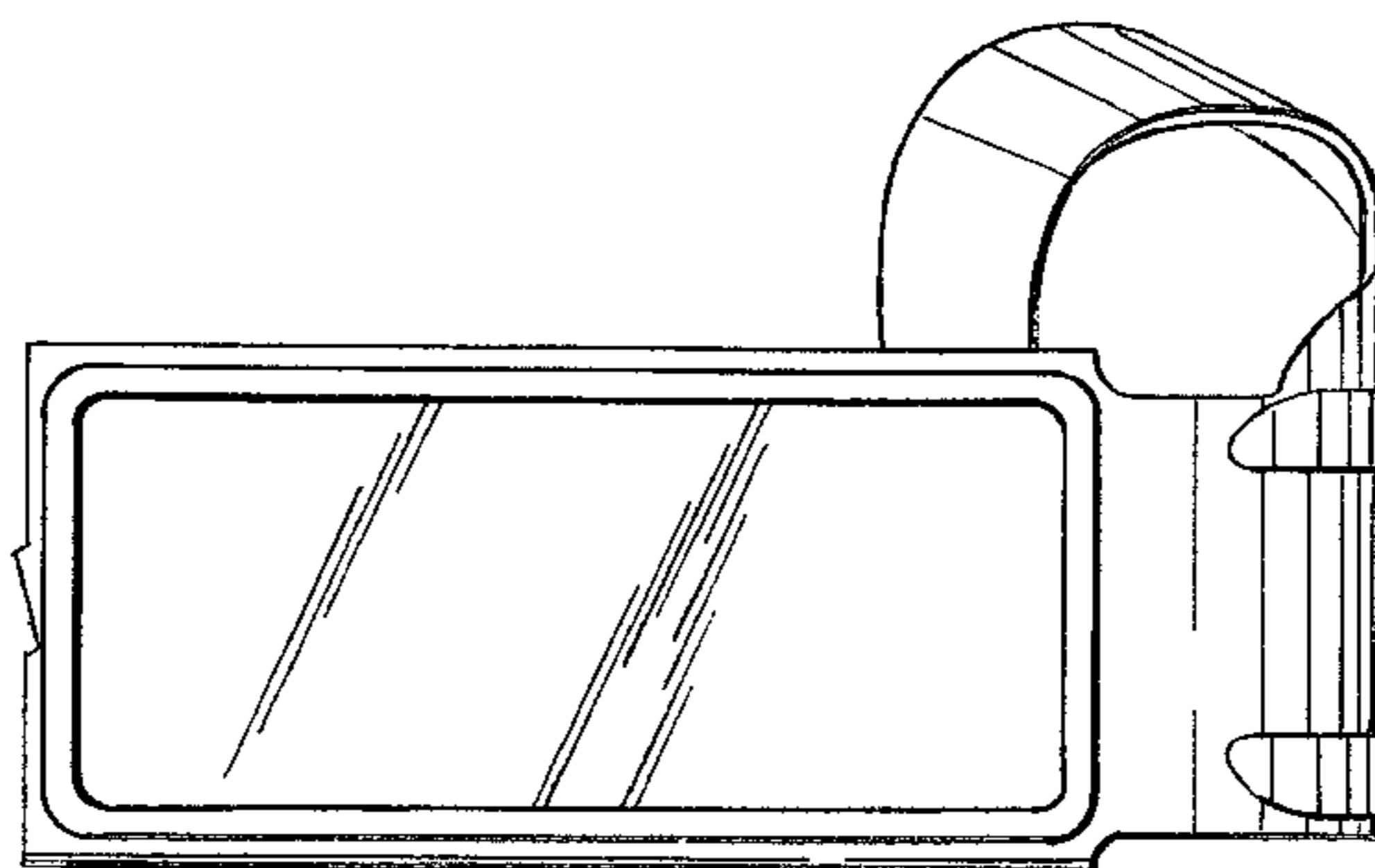
(Continued)

**DESCRIPTION**

FIG. 1 is a front view of a first form of our new design, and includes a depiction of a transparent pocket portion for containing a small portable electronic device; FIG. 2 is a right side view thereof; FIG. 3 is a rear view thereof; FIG. 4 is a left side view thereof; FIG. 5 is a top view thereof; FIG. 6 is a bottom view thereof; FIG. 7 is a front view of a second form of our new design that is identical in shape and construction to the first form, with portions lined to indicate color contrasting surface areas that exhibit different colors or at least light-reflective characteristics that differ from each other; FIG. 8 is a right side view thereof; FIG. 9 is a rear view thereof; FIG. 10 is a left side view thereof; FIG. 11 is a top view thereof; and, FIG. 12 is a bottom view thereof.

Portions broken away or not shown form no part of the claimed design. No appearance feature of any part of the garment located behind a transparent window shown in FIGS. 1 and 7 is claimed. Areas in FIGS. 8-12 that are lined to indicate color contrast may exhibit different colors or different light-reflective characteristics. Because the garment is flexible, those skilled in the art will appreciate that configurations exhibited by the garment are likely to vary depending, at least in part, on how the garment is worn, positioned or supported.

**1 Claim, 6 Drawing Sheets**



(56)

References Cited

U.S. PATENT DOCUMENTS

1,189,924 A 7/1916 Blieux ..... 224/222  
 1,199,635 A 9/1916 Urmston ..... 224/218  
 1,817,212 A 8/1931 Siebrandt ..... 602/21  
 1,872,218 A 8/1932 Asplund ..... 359/517  
 2,077,202 A 4/1937 Hovey ..... 128/133  
 2,388,330 A 11/1945 Jungmann ..... 2/16  
 2,738,190 A 3/1956 Tureaud ..... 273/54  
 2,749,000 A 6/1956 McKittrick ..... 224/218  
 3,123,832 A 3/1964 Kubik ..... 2/161  
 3,146,463 A 9/1964 Wargo ..... 2/20  
 3,369,258 A 2/1968 Smith ..... 2/159  
 3,421,160 A 1/1969 Domenico ..... 2/159  
 3,496,573 A 2/1970 Kuchar et al. .... 2/161  
 3,533,407 A 10/1970 Smith ..... 128/165  
 3,583,704 A 6/1971 Callanan ..... 273/54  
 3,598,408 A 8/1971 Klose ..... 273/54  
 3,728,738 A 4/1973 Andolino ..... 2/161  
 3,893,099 A 7/1975 Zoepfl ..... 340/323  
 D242,172 S 11/1976 Borenstein ..... D24/4  
 4,062,540 A 12/1977 Calentine ..... 273/54  
 D248,258 S 6/1978 Munari ..... D2/383  
 4,103,362 A 8/1978 Blakeman ..... 2/161  
 4,135,653 A 1/1979 Sieloff ..... 224/5  
 4,148,424 A 4/1979 Fortenberry ..... 224/218  
 D259,955 S 7/1981 Helferich ..... D24/4  
 4,326,706 A 4/1982 Guthrie et al. .... 272/119  
 4,414,692 A 11/1983 Dzierson et al. .... 2/160  
 4,415,106 A 11/1983 Connell et al. .... 224/221  
 4,432,477 A 2/1984 Haidt et al. .... 224/222  
 4,447,912 A 5/1984 Morrow ..... 2/159  
 4,463,879 A 8/1984 Des Voignes ..... 222/175  
 4,477,005 A 10/1984 Martinez ..... 229/218  
 4,500,019 A 2/1985 Curley, Jr. .... 224/222  
 4,504,980 A 3/1985 Butcher ..... 2/160  
 4,519,097 A 5/1985 Chappell, Jr. et al. .... 2/16  
 4,556,215 A 12/1985 Tarbox et al. .... 482/105  
 4,575,075 A 3/1986 Tarbox et al. .... 482/105  
 4,606,484 A 8/1986 Winter et al. .... 224/218  
 D287,640 S 1/1987 Primiano ..... D24/6.4  
 4,638,511 A 1/1987 Haack ..... 2/161  
 4,653,490 A 3/1987 Eisenberg ..... 128/133  
 4,658,441 A 4/1987 Smith ..... 2/16  
 D293,387 S 12/1987 Wagner, II ..... D2/630  
 4,746,043 A 5/1988 Booker ..... 224/219  
 D300,948 S 5/1989 Harris et al. .... D24/64  
 4,923,418 A 5/1990 Hoffman ..... 441/57  
 4,938,487 A 7/1990 Ponsart ..... 473/60  
 4,953,568 A 9/1990 Theisler ..... 128/878  
 5,003,637 A 4/1991 Lonon ..... 2/160  
 5,088,121 A 2/1992 Wallace ..... 2/160  
 5,160,314 A 11/1992 Peters ..... 602/21  
 5,170,917 A 12/1992 Tourigny ..... 224/221  
 5,222,643 A 6/1993 Platt ..... 224/218  
 5,276,922 A 1/1994 Floyd ..... 2/160  
 5,335,916 A 8/1994 Nee ..... 273/346  
 5,413,553 A 5/1995 Downes ..... 602/21  
 D363,146 S 10/1995 Pando ..... D29/113  
 5,511,702 A 4/1996 Yang ..... 224/219  
 D371,675 S 7/1996 Carter ..... D3/215  
 5,542,588 A 8/1996 Sison ..... 224/218  
 D373,639 S 9/1996 McKie ..... D24/190  
 5,566,389 A 10/1996 Li ..... 2/16  
 5,577,273 A 11/1996 Newkirk ..... 2/160  
 5,638,767 A 6/1997 Bush ..... 116/139  
 5,678,730 A 10/1997 Fabek et al. .... 222/78  
 5,850,954 A 12/1998 Dong-Joo ..... 224/197  
 D406,455 S 3/1999 Wagner, II ..... D3/226  
 5,899,870 A 5/1999 Deirmendjian et al. .... 602/21  
 5,924,136 A 7/1999 Ogean ..... 2/159  
 5,943,701 A 8/1999 Seats ..... 2/160

5,971,240 A 10/1999 Dequaine ..... 224/217  
 6,000,058 A 12/1999 Iselin ..... 2/160  
 6,142,966 A 11/2000 Hely ..... 602/64  
 6,217,095 B1 4/2001 Yamada ..... 294/149  
 D447,623 S 9/2001 Troska ..... D3/215  
 6,325,772 B1 12/2001 Scheuermann et al. .... 602/22  
 6,360,684 B1 3/2002 Quaglia ..... 116/222  
 6,629,628 B1 10/2003 Canepari et al. .... 224/222  
 6,702,496 B1 3/2004 Park ..... 401/131  
 D490,239 S 5/2004 Wagner, II ..... D3/226  
 D490,974 S 6/2004 Wagner, II ..... D3/226  
 6,783,507 B1 8/2004 Fisher ..... 602/22  
 D504,224 S \* 4/2005 Sexson ..... D3/218  
 6,880,737 B2 4/2005 Bauer ..... 224/246  
 D506,058 S \* 6/2005 Sexson ..... D3/218  
 D512,834 S 12/2005 Wagner, II ..... D3/226  
 D513,865 S 1/2006 Wagner, II ..... D3/226  
 D514,772 S 2/2006 Bevier ..... D2/623  
 D515,805 S 2/2006 Jones ..... D3/215  
 D526,479 S 8/2006 Brandenburg ..... D3/218  
 D536,867 S \* 2/2007 Sexson ..... D3/218  
 D537,623 S \* 3/2007 Dennis et al. .... D3/218  
 D541,042 S \* 4/2007 Andre et al. .... D3/218  
 D541,044 S 4/2007 Wagner, II ..... D3/226  
 D543,352 S \* 5/2007 Goradesky et al. .... D3/218  
 7,243,824 B2 7/2007 Tabata ..... 224/227  
 D554,365 S 11/2007 Zhou ..... D3/218  
 D555,353 S 11/2007 Kennedy ..... D3/218  
 7,364,556 B2 4/2008 Weaver, II ..... 602/5  
 D570,598 S 6/2008 Chan ..... D3/218  
 D576,791 S 9/2008 Wagner, II ..... D3/226  
 D576,792 S 9/2008 Wagner, II ..... D3/226  
 D580,599 S 11/2008 Marino ..... D29/113  
 7,469,809 B2 12/2008 Rodarte et al. .... 224/578  
 D584,822 S 1/2009 Weber ..... D24/190  
 D596,828 S 7/2009 Sofer et al. .... D2/617  
 7,584,841 B2 9/2009 Chan et al. .... 206/45.23  
 7,616,097 B1 11/2009 Whang ..... 340/321  
 D607,198 S \* 1/2010 Andre et al. .... D3/218  
 7,641,046 B2 1/2010 Tsang et al. .... 206/320  
 7,673,745 B2 3/2010 Sirichai et al. .... 206/45.23  
 7,735,644 B2 6/2010 Sirichai et al. .... 206/320  
 D620,706 S \* 8/2010 Wagner, II ..... D3/226  
 D622,058 S \* 8/2010 Wagner, II ..... D3/226  
 7,780,047 B2 8/2010 Chen et al. .... 224/218  
 D623,404 S \* 9/2010 Andre et al. .... D3/218  
 D628,375 S \* 12/2010 Andre et al. .... D3/218  
 D633,215 S 2/2011 Steele ..... D24/199  
 7,959,351 B1 6/2011 Thorp ..... 368/282  
 8,060,948 B2 \* 11/2011 Pesic ..... 2/161.5  
 D651,793 S \* 1/2012 Willows et al. .... D3/226  
 2002/0126217 A1 9/2002 Arakane et al. .... 348/375  
 2003/0019894 A1 1/2003 Calanda ..... 224/165  
 2003/0066856 A1 4/2003 Lehtonen ..... 224/675  
 2006/0076381 A1 4/2006 Rodarte et al. .... 224/600  
 2007/0083979 A1 4/2007 Daniels ..... 2/160  
 2007/0235492 A1 10/2007 Sirichai et al. .... 224/930  
 2008/0017678 A1 1/2008 Anderson et al. .... 224/221  
 2008/0083631 A1 4/2008 Tsang et al. .... 206/320  
 2008/0164174 A1 7/2008 Chan et al. .... 206/474  
 2008/0194139 A1 8/2008 Chan ..... 439/521  
 2008/0302687 A1 12/2008 Sirichai et al. .... 206/320  
 2011/0057002 A1 3/2011 Westra et al. .... 224/218

OTHER PUBLICATIONS

1-Page Printout From <http://appadvice.com/appnn/2010/08>. Also Describing Iskin-Pulse Product Dated Sep. 9, 2010.  
 Belkin Hand Band IPOD Carrying Case 2-Page Catalog Depiction Printed From [www.belkin.com](http://www.belkin.com) From [www.slashGear.com](http://www.slashGear.com) Sep. 9, 2009.

\* cited by examiner

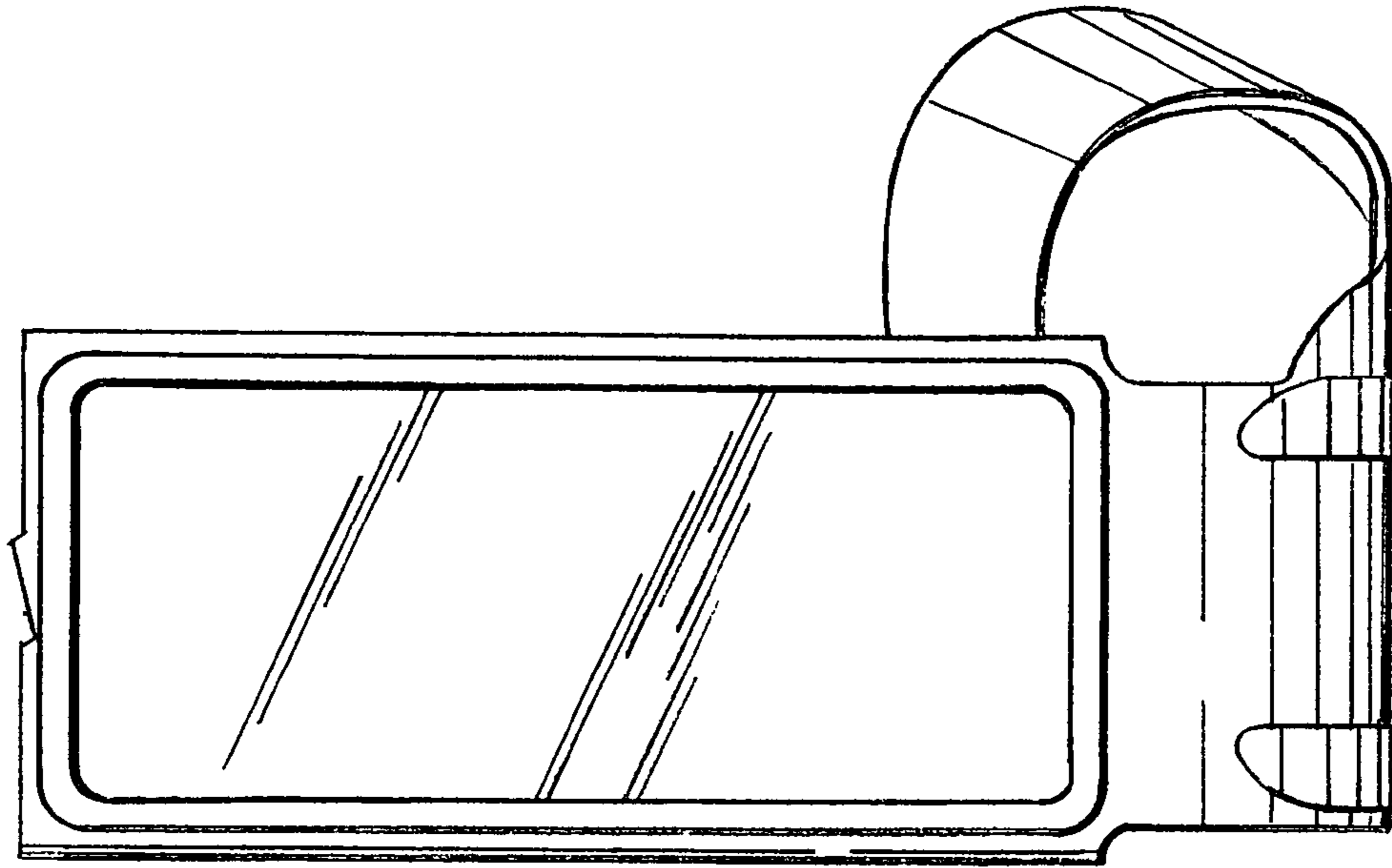


FIG. 1

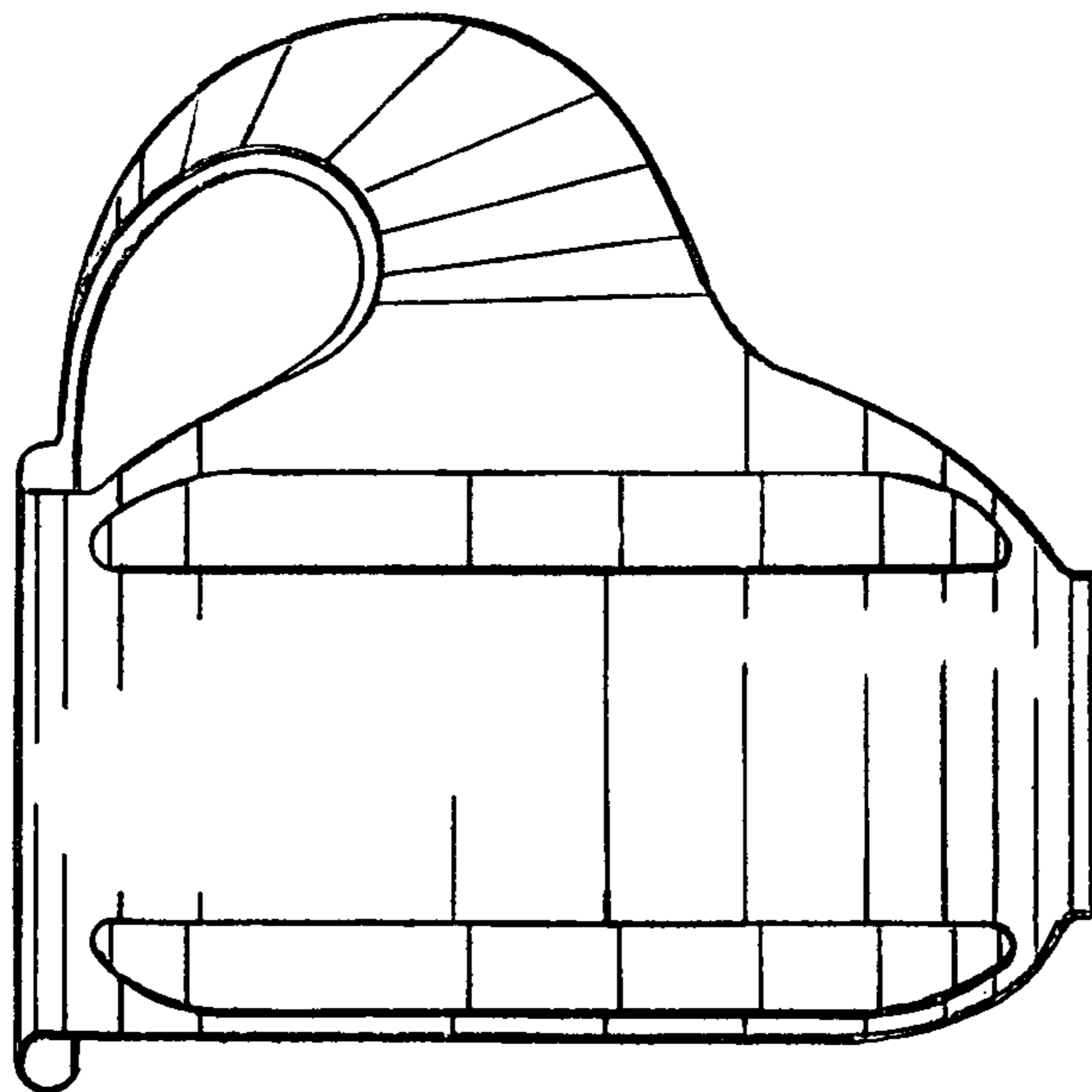


FIG. 2

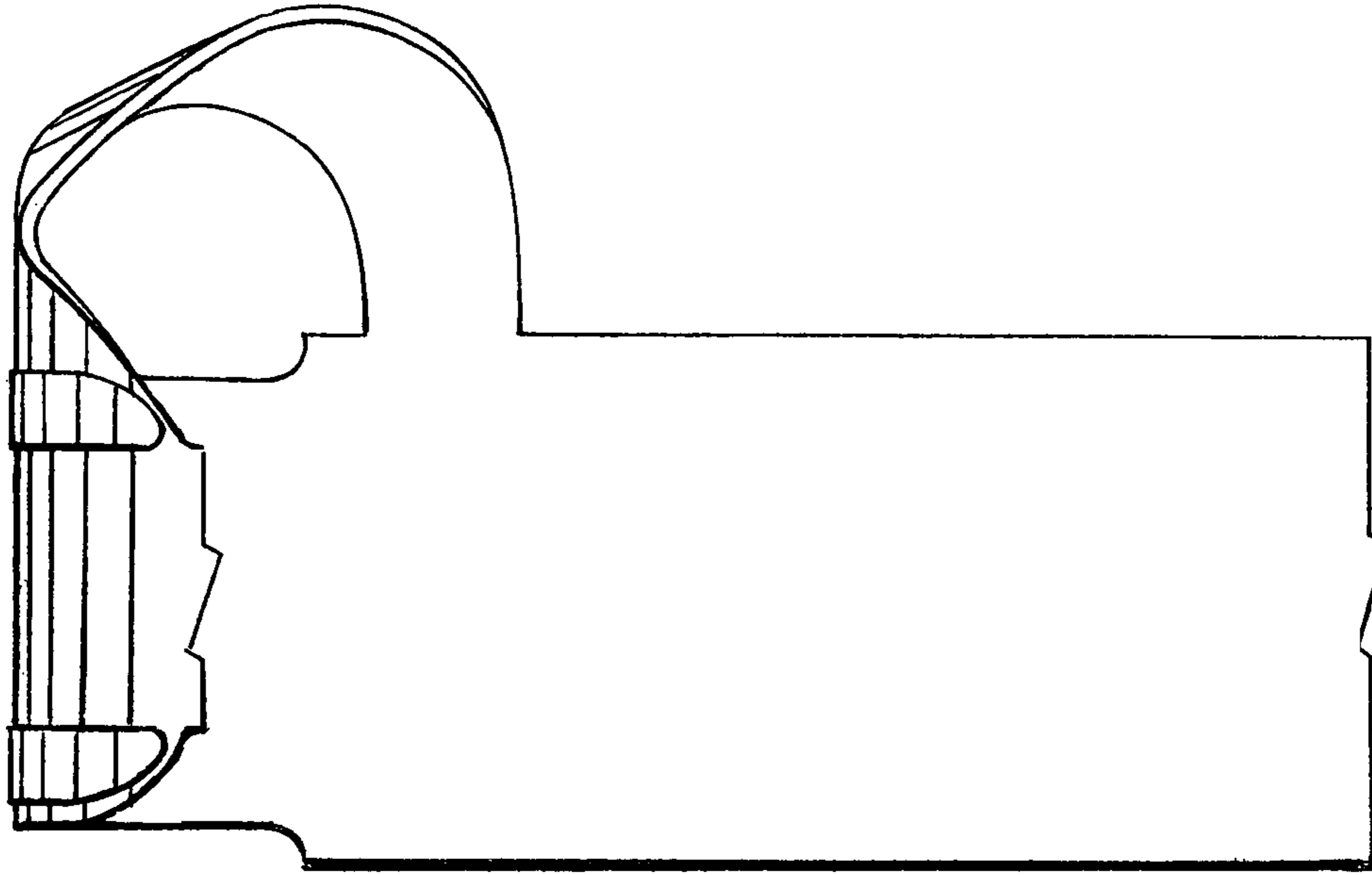


FIG. 3

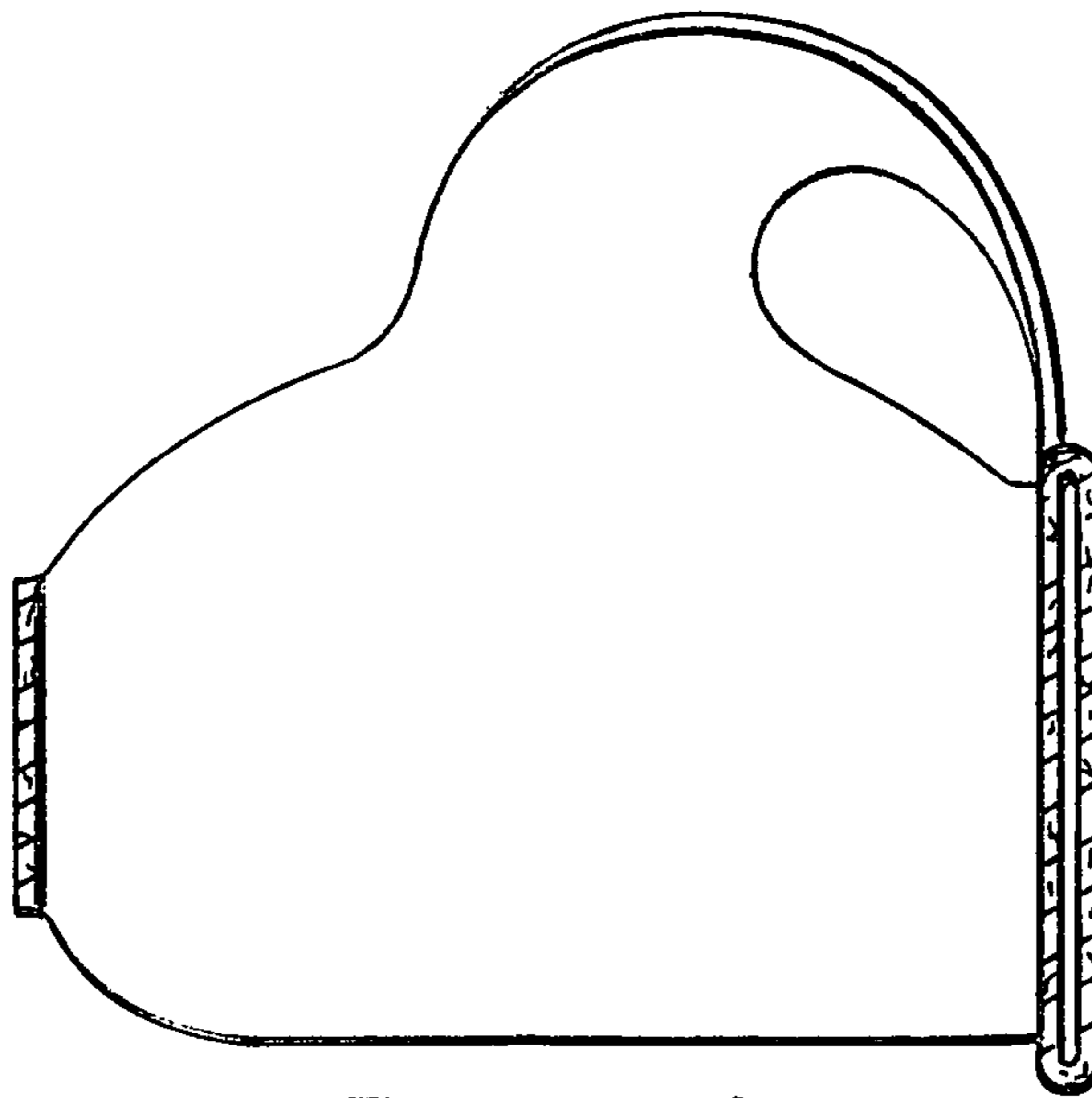


FIG. 4

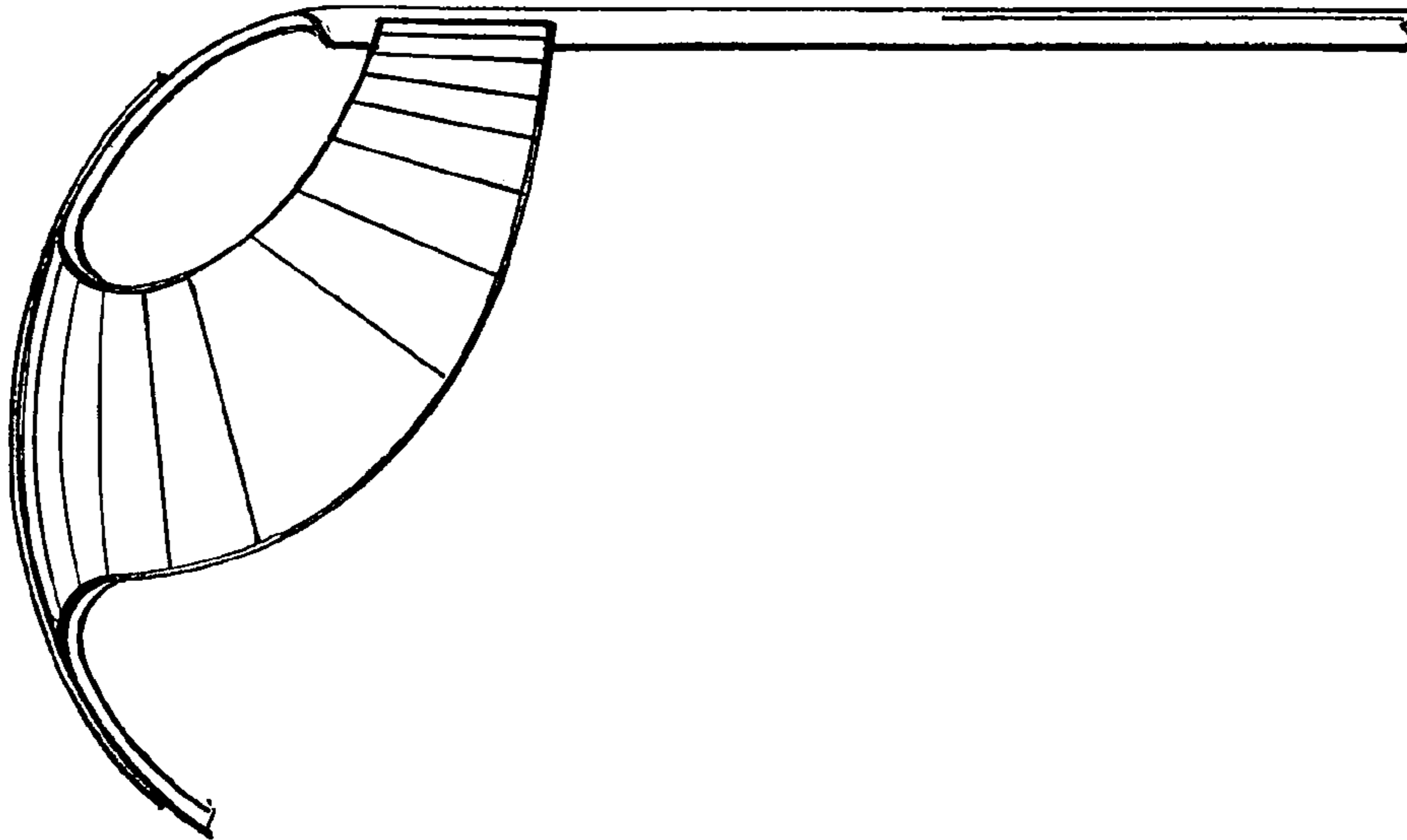


FIG. 5

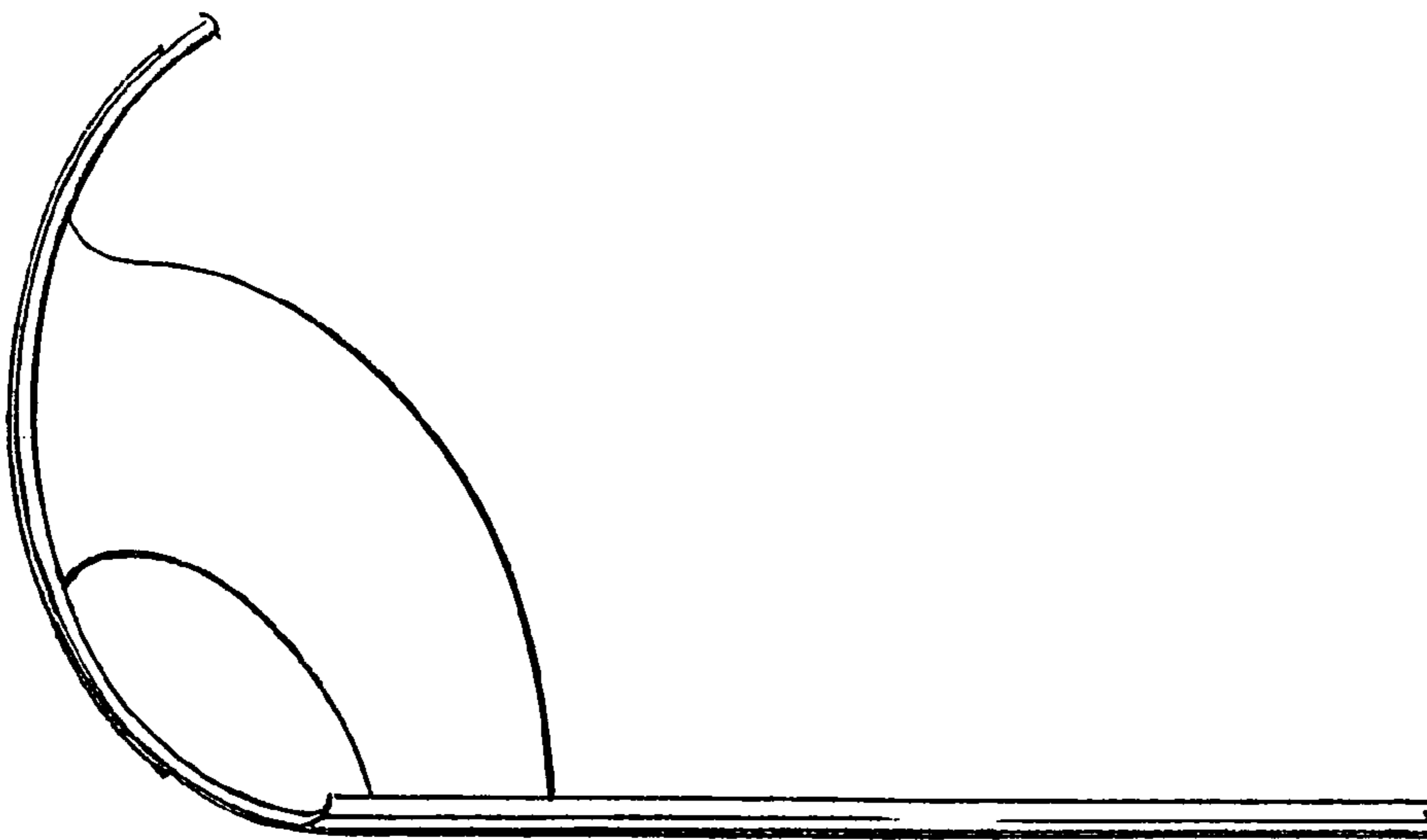


FIG. 6

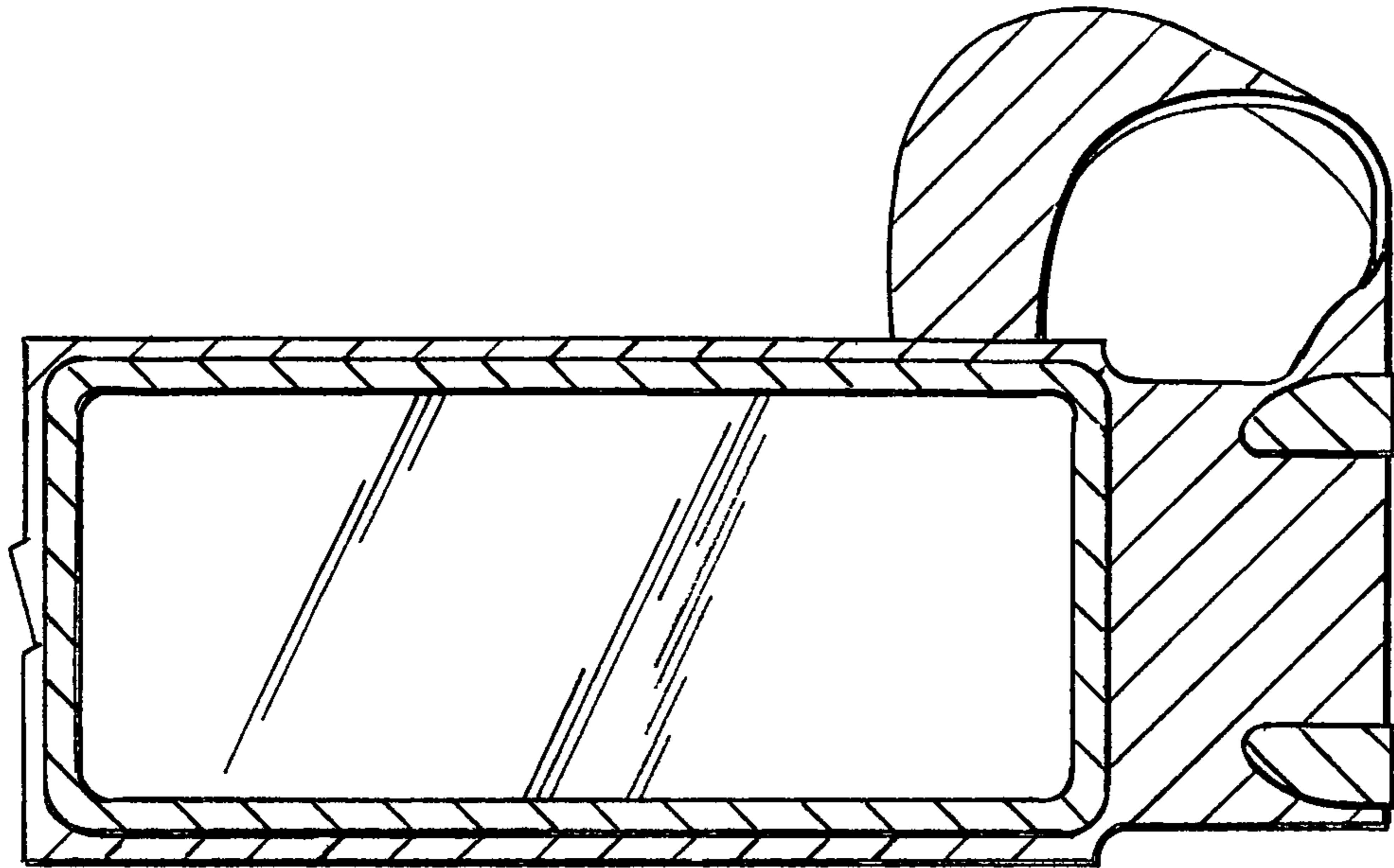


FIG. 7

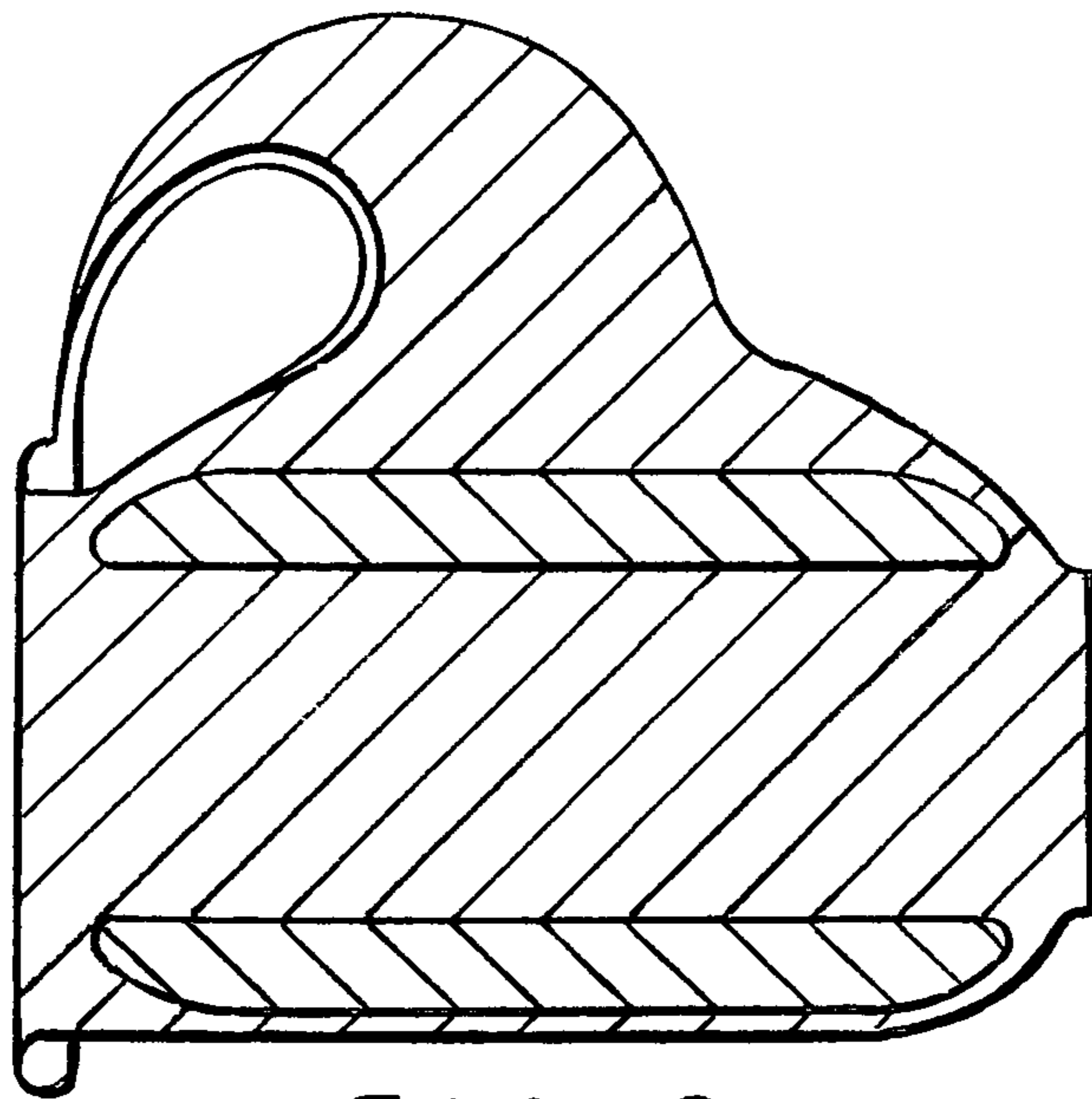


FIG. 8

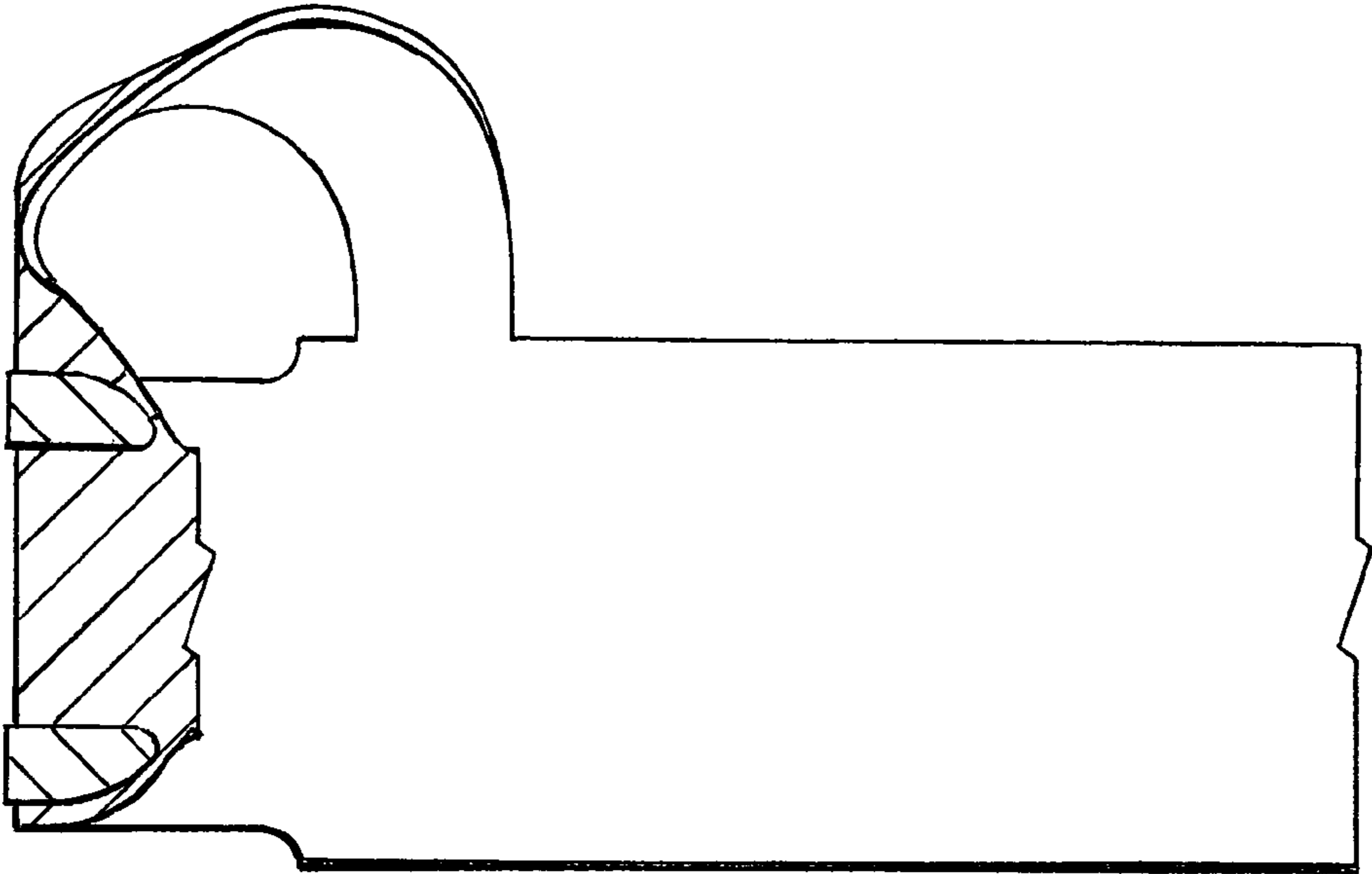


FIG. 9

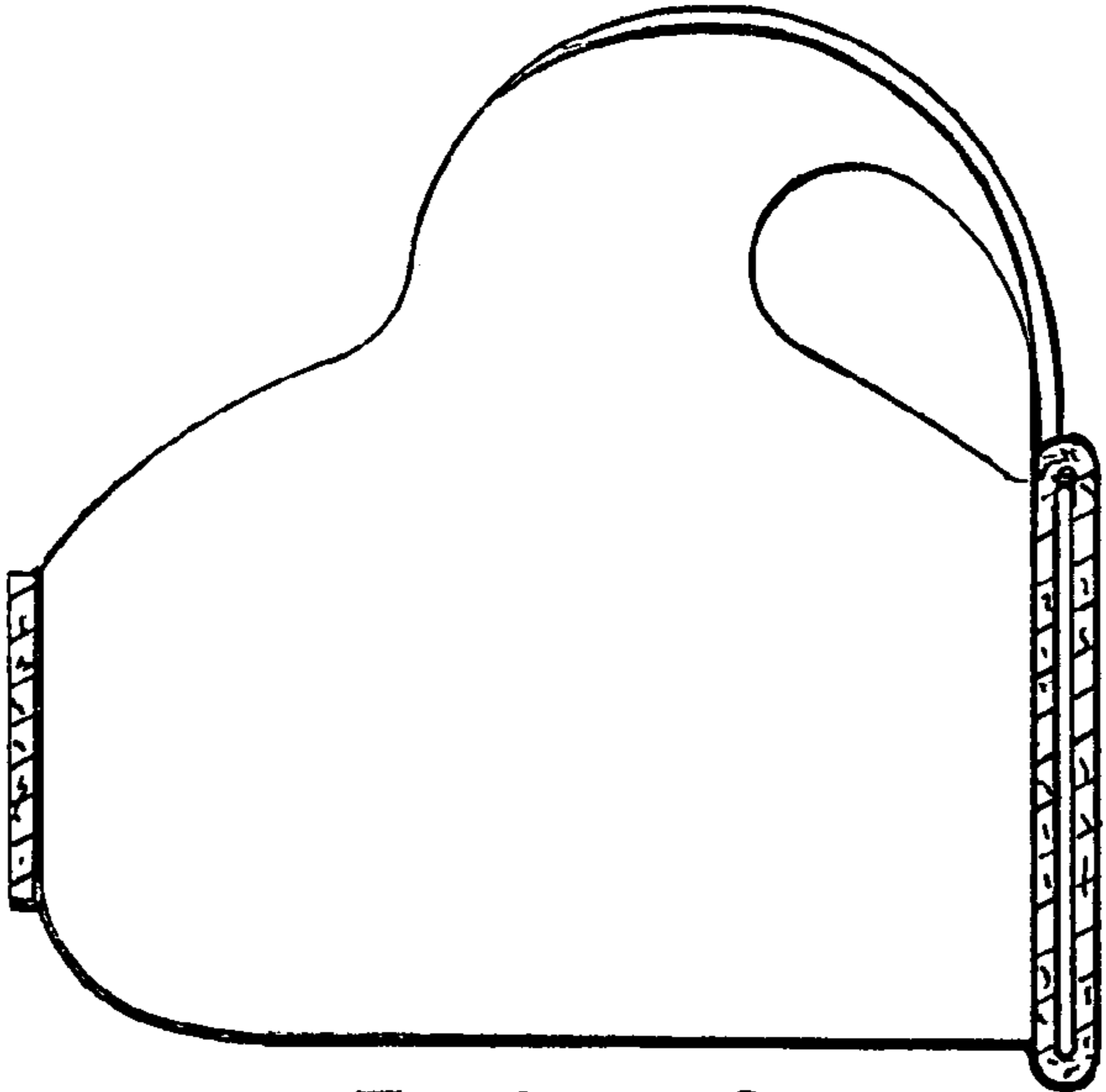


FIG. 10

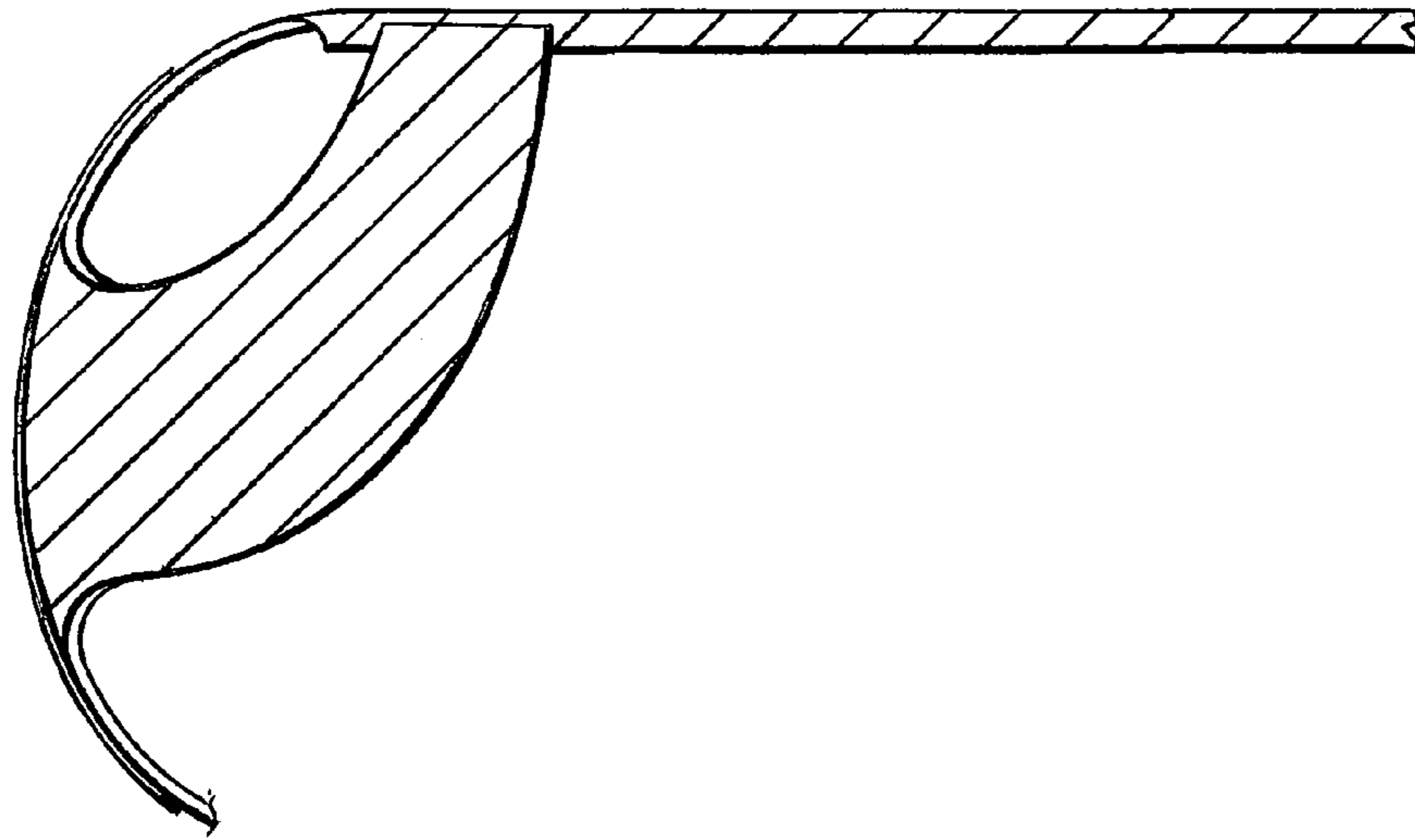


FIG. 11

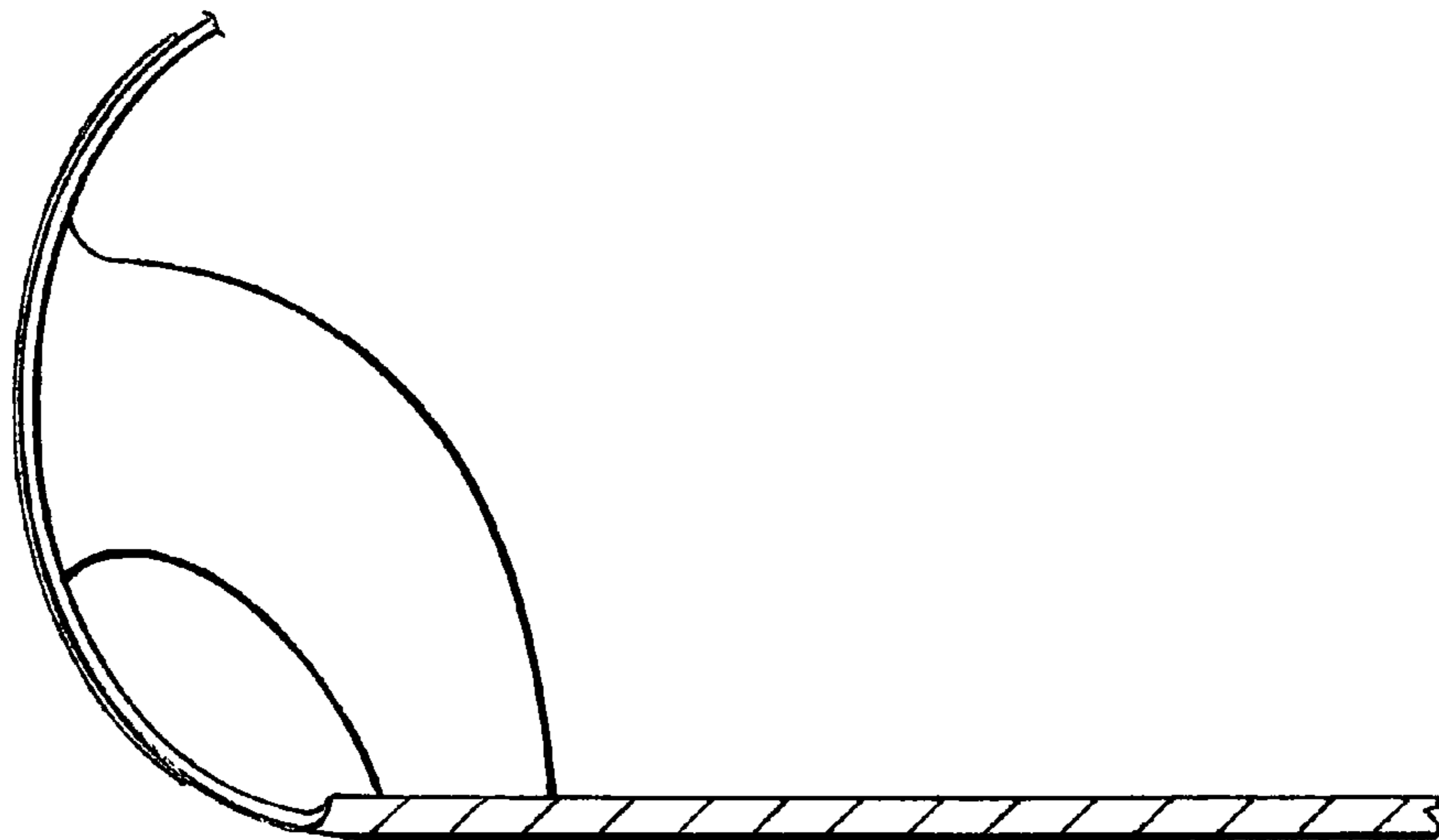


FIG. 12