



US00D689476S

(12) **United States Design Patent**  
**Alexander**

(10) **Patent No.:** **US D689,476 S**

(45) **Date of Patent:** **\*\* Sep. 10, 2013**

(54) **PHONE STAND WITH SPEAKER AMPLIFIER**

(76) Inventor: **Tom Alexander**, Corona, CA (US)

(\*\*) Term: **14 Years**

(21) Appl. No.: **29/425,972**

(22) Filed: **Jun. 28, 2012**

(51) **LOC (9) Cl.** ..... **14-03**

(52) **U.S. Cl.**  
USPC ..... **D14/252**; D14/209.1

(58) **Field of Classification Search**  
USPC ..... D14/140, 140.8, 142, 168, 204, 209.1,  
D14/217, 221, 243-256, 434, 447; D3/215,  
D3/218, 269; D2/861; D6/300, 310, 467,  
D6/553-574; 292/342, 343; D19/90;  
D12/415; D13/108

See application file for complete search history.

(56) **References Cited**

U.S. PATENT DOCUMENTS

D266,085	S	*	9/1982	Perhacs, Jr.	.....	D14/243
D317,911	S	*	7/1991	Yokoi	.....	D14/453
6,035,221	A	*	3/2000	Snyder et al.	.....	455/569.1
6,647,248	B1	*	11/2003	Ortscheid et al.	.....	455/575.1
D520,014	S	*	5/2006	Harris et al.	.....	D14/434
D542,287	S	*	5/2007	Chung et al.	.....	D14/252
D543,246	S	*	5/2007	Ashida et al.	.....	D21/333
D544,475	S	*	6/2007	Udagawa et al.	.....	D14/248
D596,160	S	*	7/2009	Andre et al.	.....	D14/217
D626,953	S	*	11/2010	Wilson	.....	D14/252
D638,831	S	*	5/2011	Paradise	.....	D14/253

8,256,568	B2	*	9/2012	Lin	.....	181/179
D669,851	S	*	10/2012	Ikegame	.....	D13/108
D670,283	S	*	11/2012	Wikel	.....	D14/253
D672,355	S	*	12/2012	Lee et al.	.....	D14/447
D672,357	S	*	12/2012	Allen	.....	D14/447
D676,450	S	*	2/2013	Lye	.....	D14/447
D678,889	S	*	3/2013	Chiu	.....	D14/453
2010/0219012	A1	*	9/2010	Baumbach	.....	181/177
2012/0213398	A1	*	8/2012	Itoh et al.	.....	381/334

\* cited by examiner

*Primary Examiner* — Susan Bennett Hattan

*Assistant Examiner* — Janice Hallmark

(74) *Attorney, Agent, or Firm* — QuickPatents; Kevin Prince

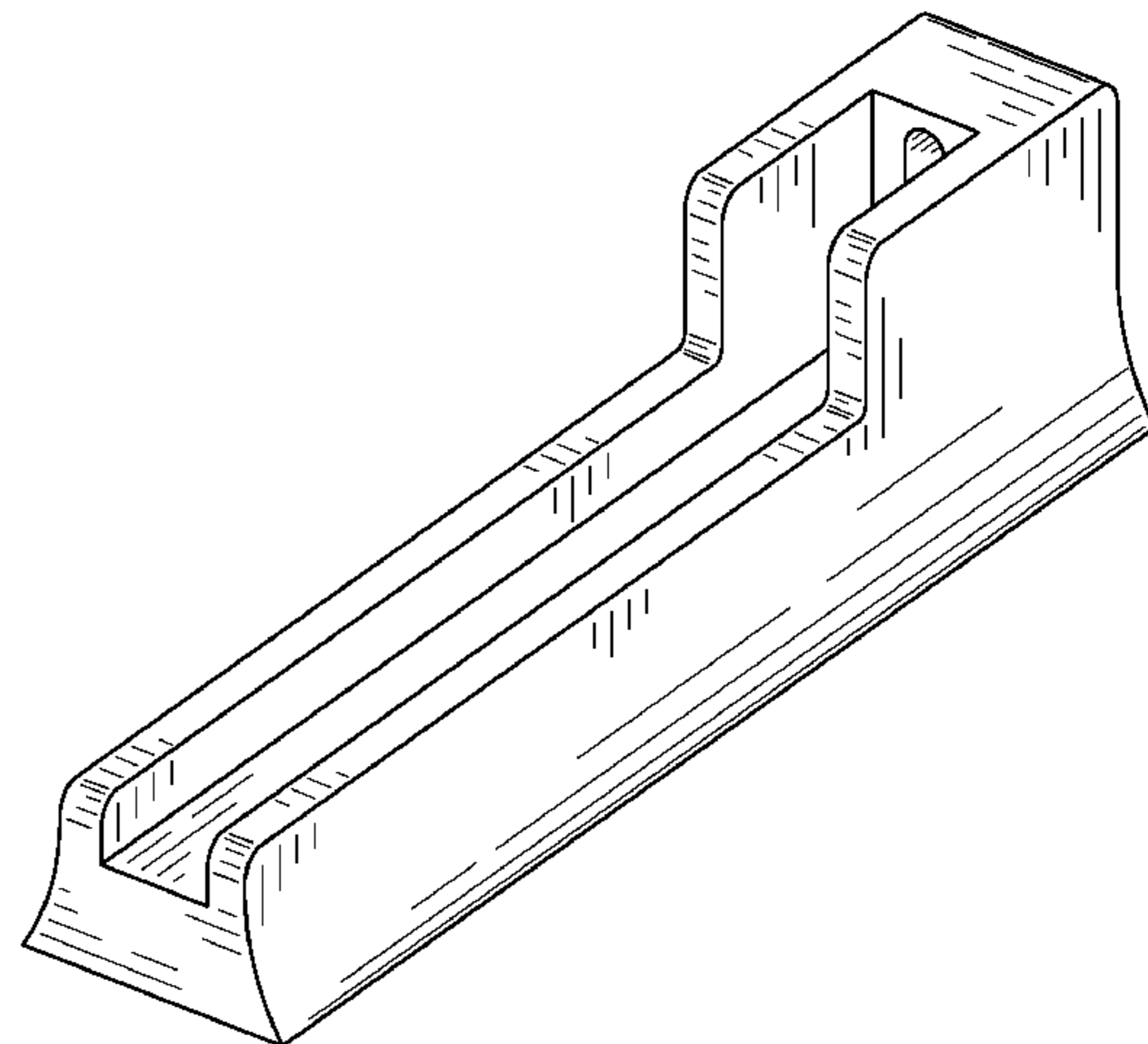
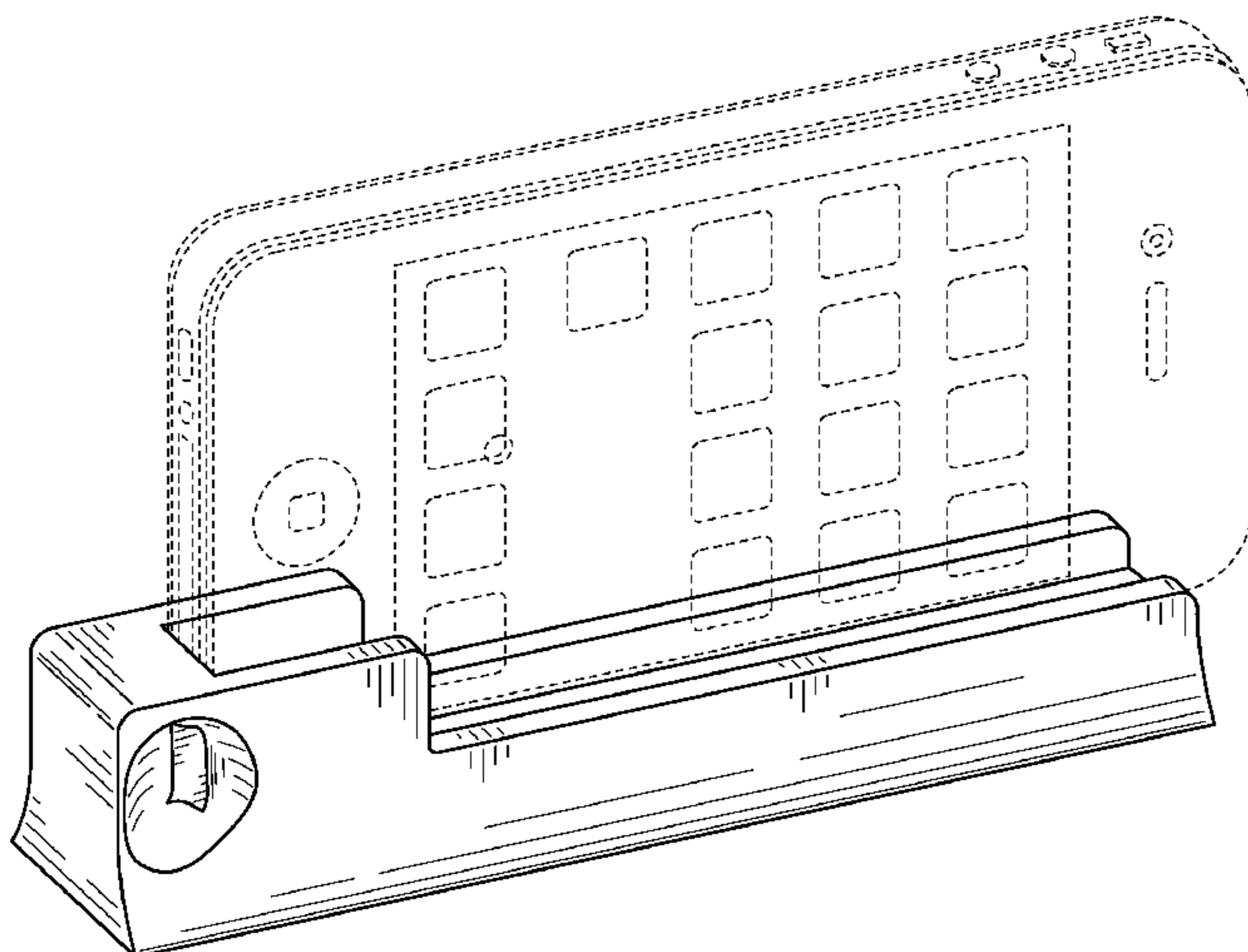
(57) **CLAIM**

I claim the ornamental design for a phone stand with speaker amplifier, as shown and described.

**DESCRIPTION**

FIG. 1 is a front perspective view of a phone stand with speaker amplifier, showing my new design; FIG. 2 is a rear perspective view thereof; FIG. 3 is a left-side elevational view thereof; FIG. 4 is a right-side elevational view thereof; FIG. 5 is a rear elevational view thereof; FIG. 6 is a front elevational view thereof; FIG. 7 is a top plan view thereof; and, FIG. 8 is a bottom plan view thereof. The broken lines showing a phone in FIG. 1 depict environmental matter and form no part of the claimed design.

**1 Claim, 4 Drawing Sheets**



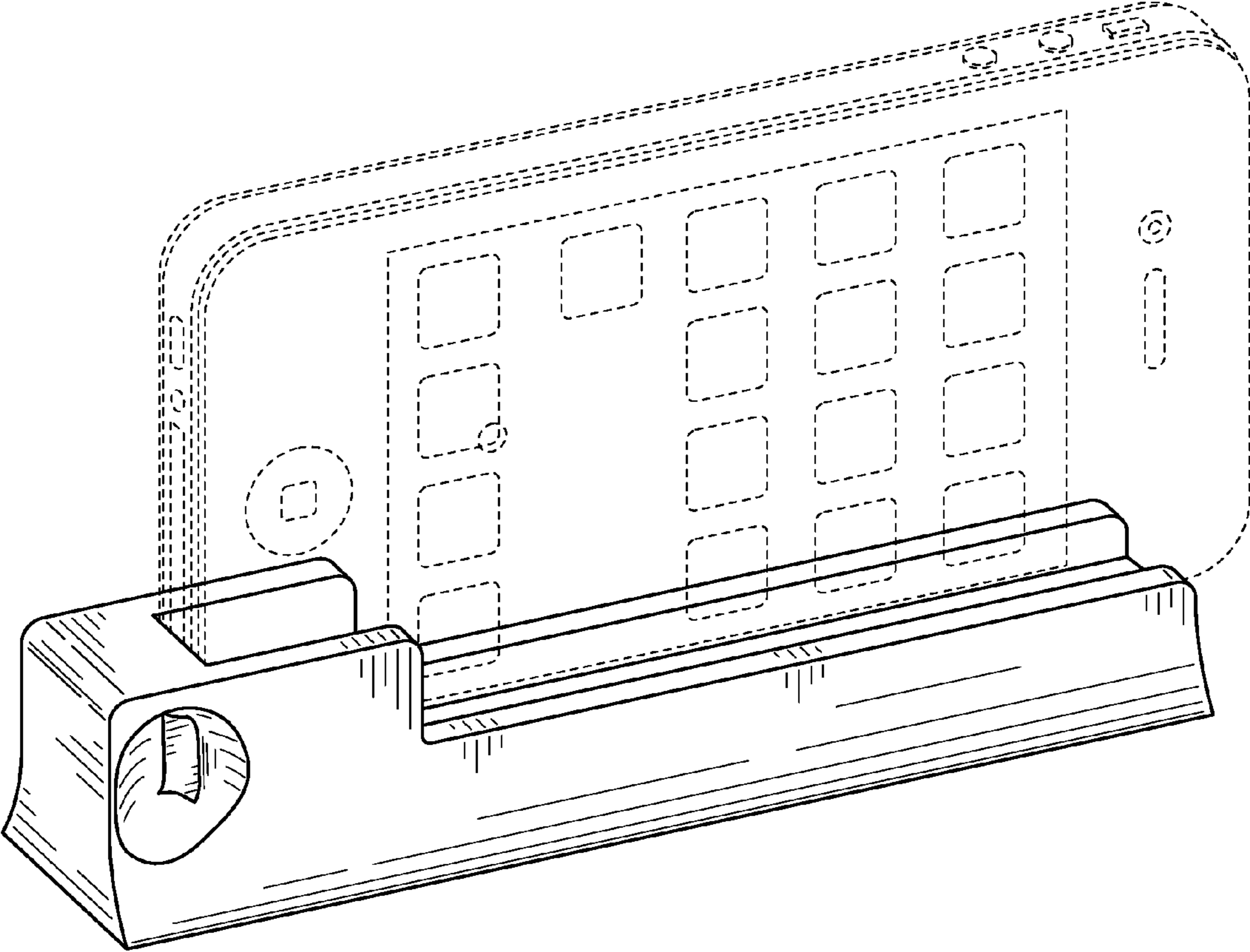


FIG. 1

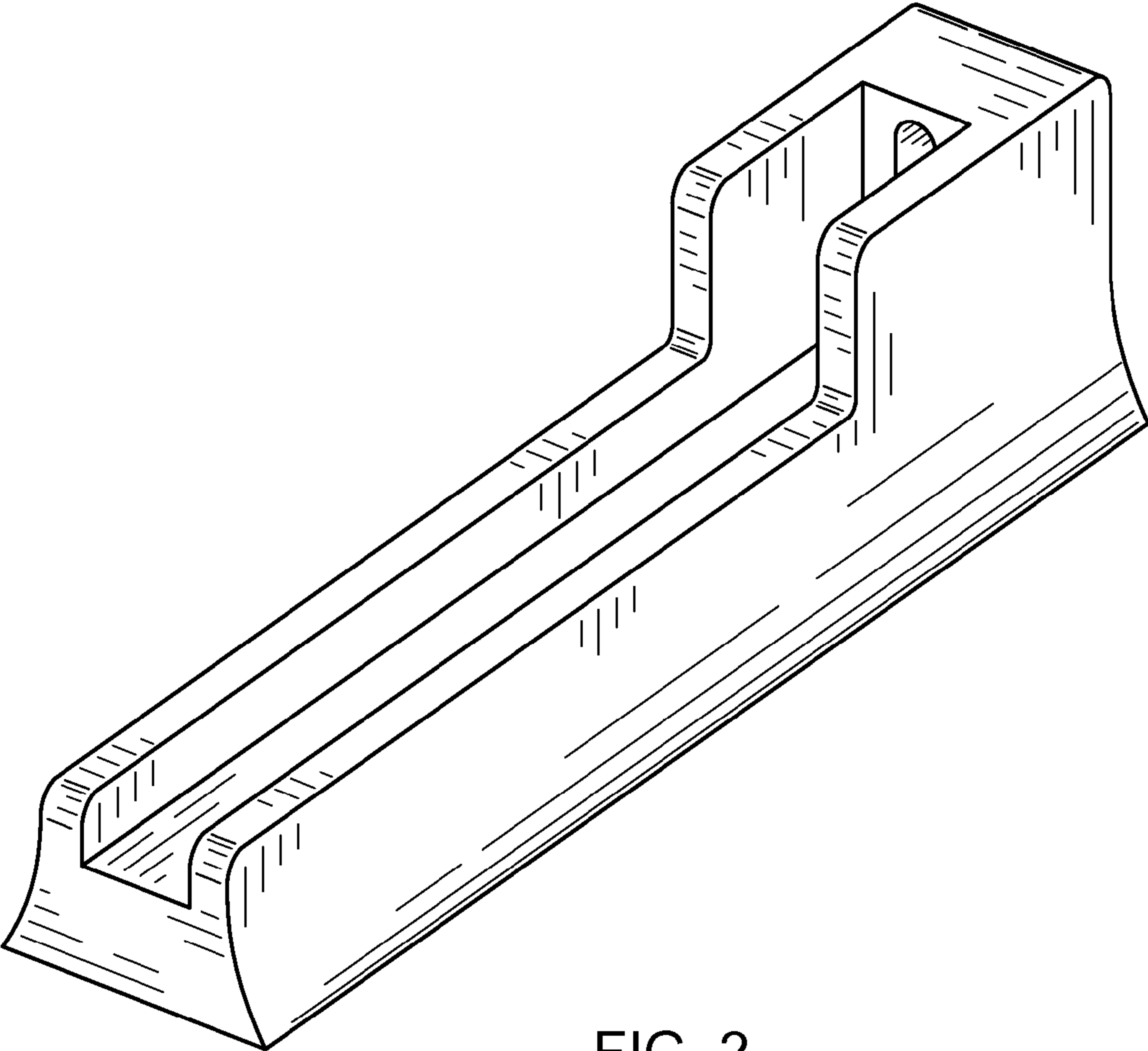


FIG. 2

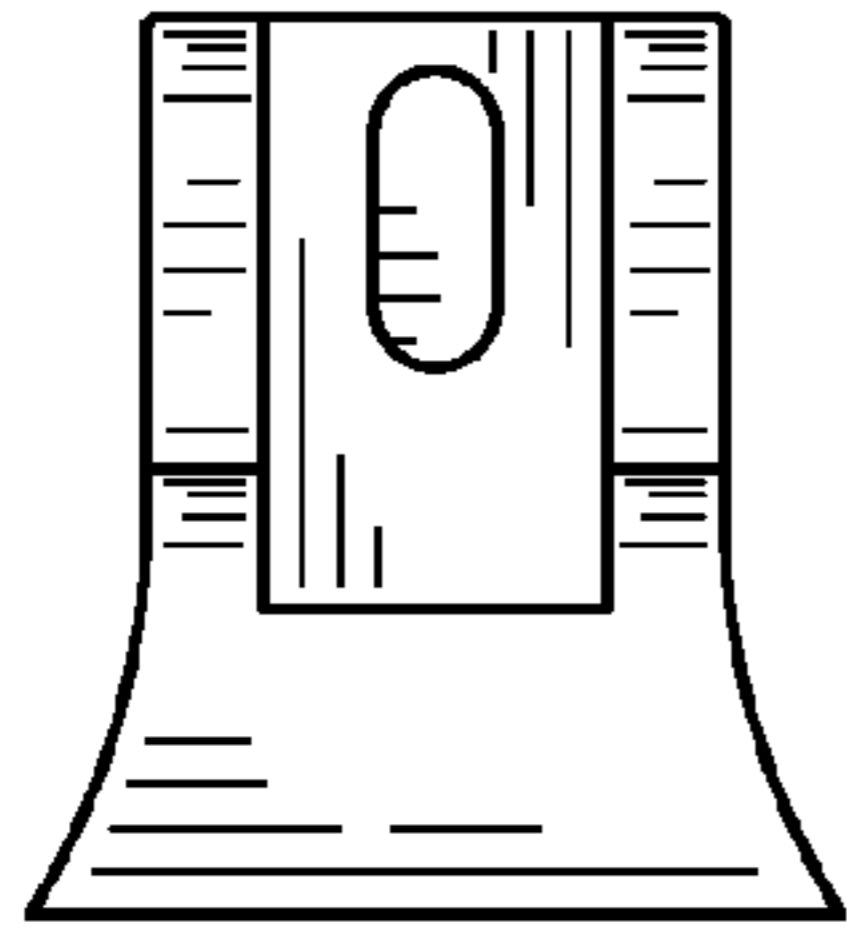


FIG. 3

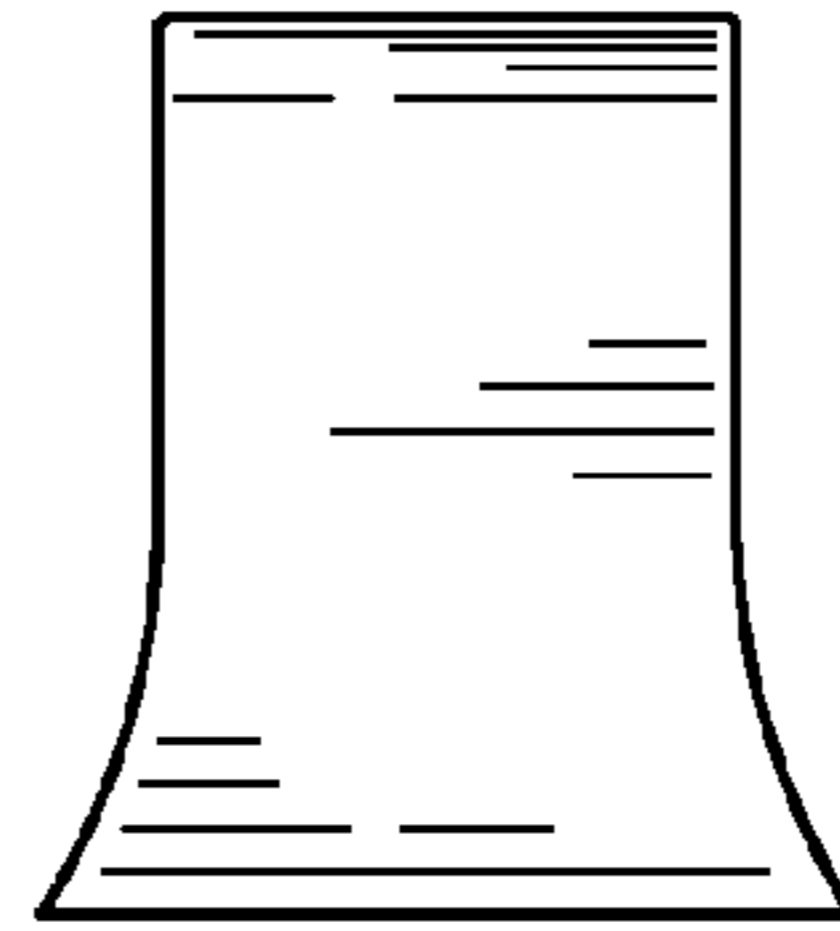


FIG. 4

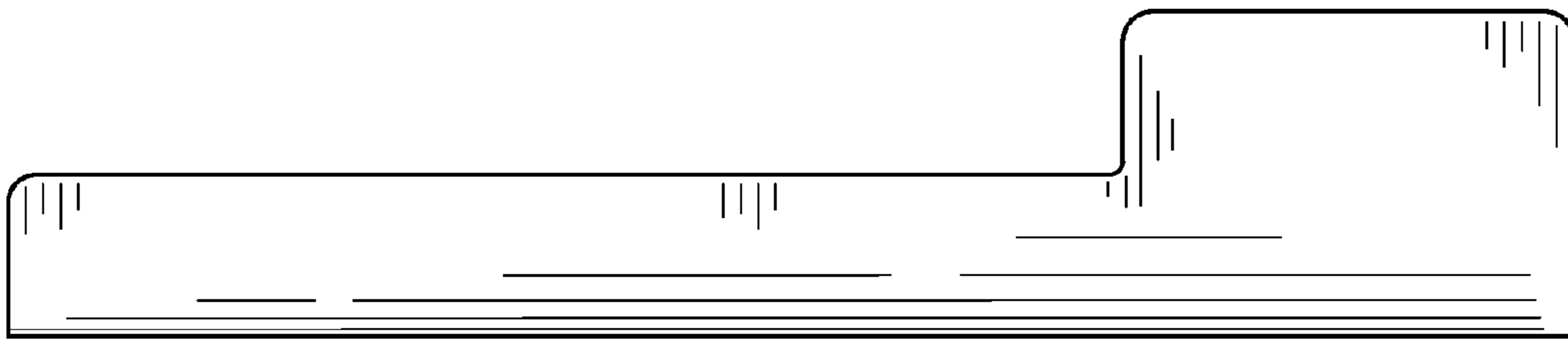


FIG. 5

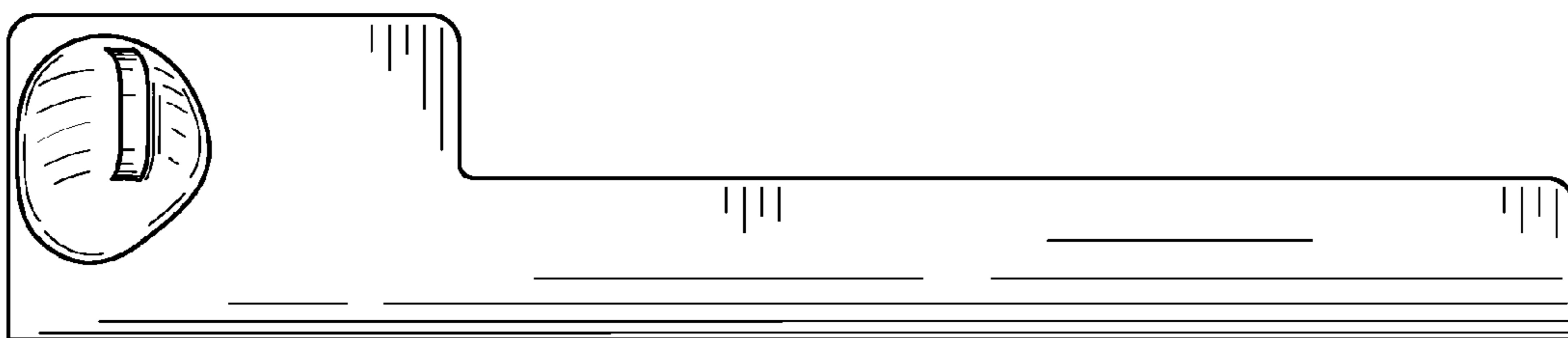


FIG. 6

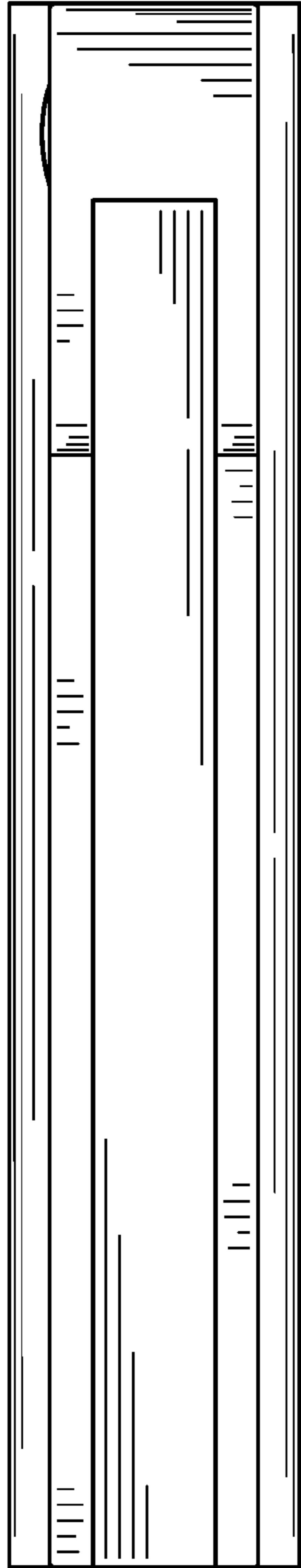


FIG. 7

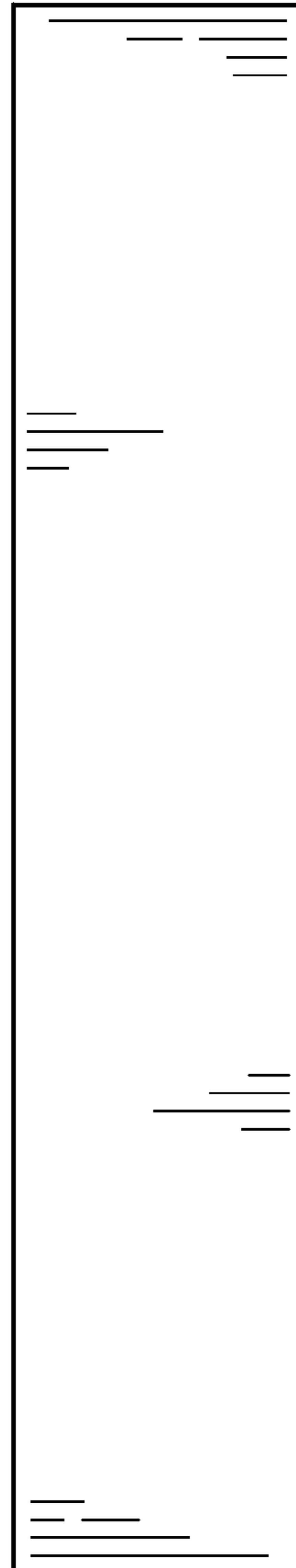


FIG. 8