



US00D689474S

(12) **United States Design Patent**
Yang et al.

(10) **Patent No.:** **US D689,474 S**

(45) **Date of Patent:** **** Sep. 10, 2013**

(54) **ANTENNA**

(71) Applicant: **Airgain, Inc.**, Carlsbad, CA (US)

(72) Inventors: **Xiaoping Yang**, Carlsbad, CA (US); **Bill Bidermann**, San Diego, CA (US)

(73) Assignee: **Airgain, Inc.**, Carlsbad, CA (US)

(**) Term: **14 Years**

(21) Appl. No.: **29/444,465**

(22) Filed: **Jan. 30, 2013**

(51) **LOC (9) Cl.** **14-03**

(52) **U.S. Cl.**
USPC **D14/230**

(58) **Field of Classification Search**
USPC D14/138, 230–238, 299, 358; D12/42,
D12/43; 343/700 R–705, 871–908, 795,
343/840, 711–713, 819, 846; 455/90.2, 90.3,
455/91, 128, 269, 344, 347, 562.1
See application file for complete search history.

(56) **References Cited**

U.S. PATENT DOCUMENTS

6,734,825	B1 *	5/2004	Guo et al.	343/700 MS
6,891,506	B2 *	5/2005	Jarmuszewski et al.	343/702
D535,290	S *	1/2007	Su et al.	D14/230
D578,520	S *	10/2008	Miyoshi	D14/230
D589,035	S *	3/2009	Hellgren	D14/230
7,501,991	B2 *	3/2009	Yeap	343/795
7,688,273	B2 *	3/2010	Montgomery et al.	343/820
D649,961	S *	12/2011	Huang et al.	D14/230
D650,370	S *	12/2011	Huang et al.	D14/230
2003/0231139	A1 *	12/2003	Tai et al.	343/795
2004/0183728	A1 *	9/2004	Zinanti et al.	343/700 MS

2008/0079639	A1 *	4/2008	Jen-Huan	343/702
2008/0143630	A1 *	6/2008	Kato et al.	343/795
2008/0150810	A1 *	6/2008	Sugiyama et al.	343/702
2008/0158085	A1 *	7/2008	Lu et al.	343/793
2008/0218417	A1 *	9/2008	Gillette	343/700 MS
2008/0218418	A1 *	9/2008	Gillette	343/700 MS
2008/0246668	A1 *	10/2008	Qi et al.	343/702
2011/0012789	A1 *	1/2011	Yang et al.	343/700 MS
2011/0199267	A1 *	8/2011	Hayashi	343/700 MS
2011/0291894	A1 *	12/2011	Qi et al.	343/700 MS
2012/0001815	A1 *	1/2012	Wong et al.	343/749
2012/0268338	A1 *	10/2012	Yoo et al.	343/803
2013/0027253	A1 *	1/2013	Lin et al.	343/700 MS
2013/0033400	A1 *	2/2013	Chiang	343/700 MS
2013/0044030	A1 *	2/2013	Oh	343/700 MS

* cited by examiner

Primary Examiner — John Windmuller

(74) *Attorney, Agent, or Firm* — Clause Eight IPS; Michael Catania

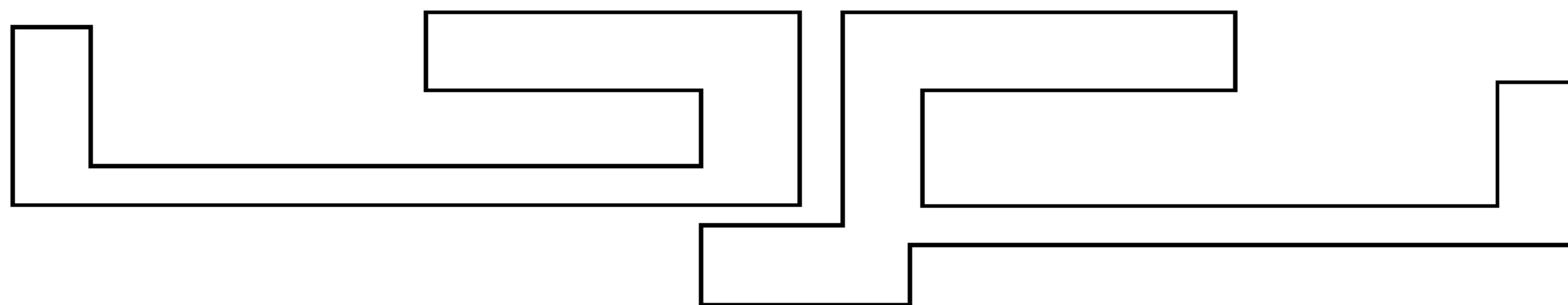
(57) **CLAIM**

The ornamental design for an antenna, as shown and described.

DESCRIPTION

FIG. 1 is a front elevation view of an antenna showing our new design;
FIG. 2 is a top perspective view thereof;
FIG. 3 is a side elevation view thereof;
FIG. 4 is an opposing side elevation view thereof;
FIG. 5 is a top plan view thereof; and,
FIG. 6 is a front elevation view thereof in use.
The broken lines in FIG. 6 illustrate environment only and form no part of the claimed design.

1 Claim, 2 Drawing Sheets



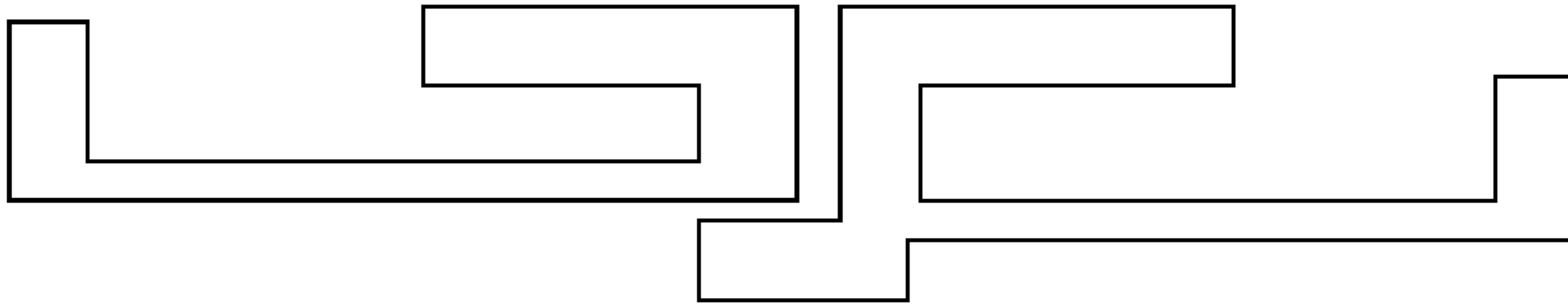


FIG. 1

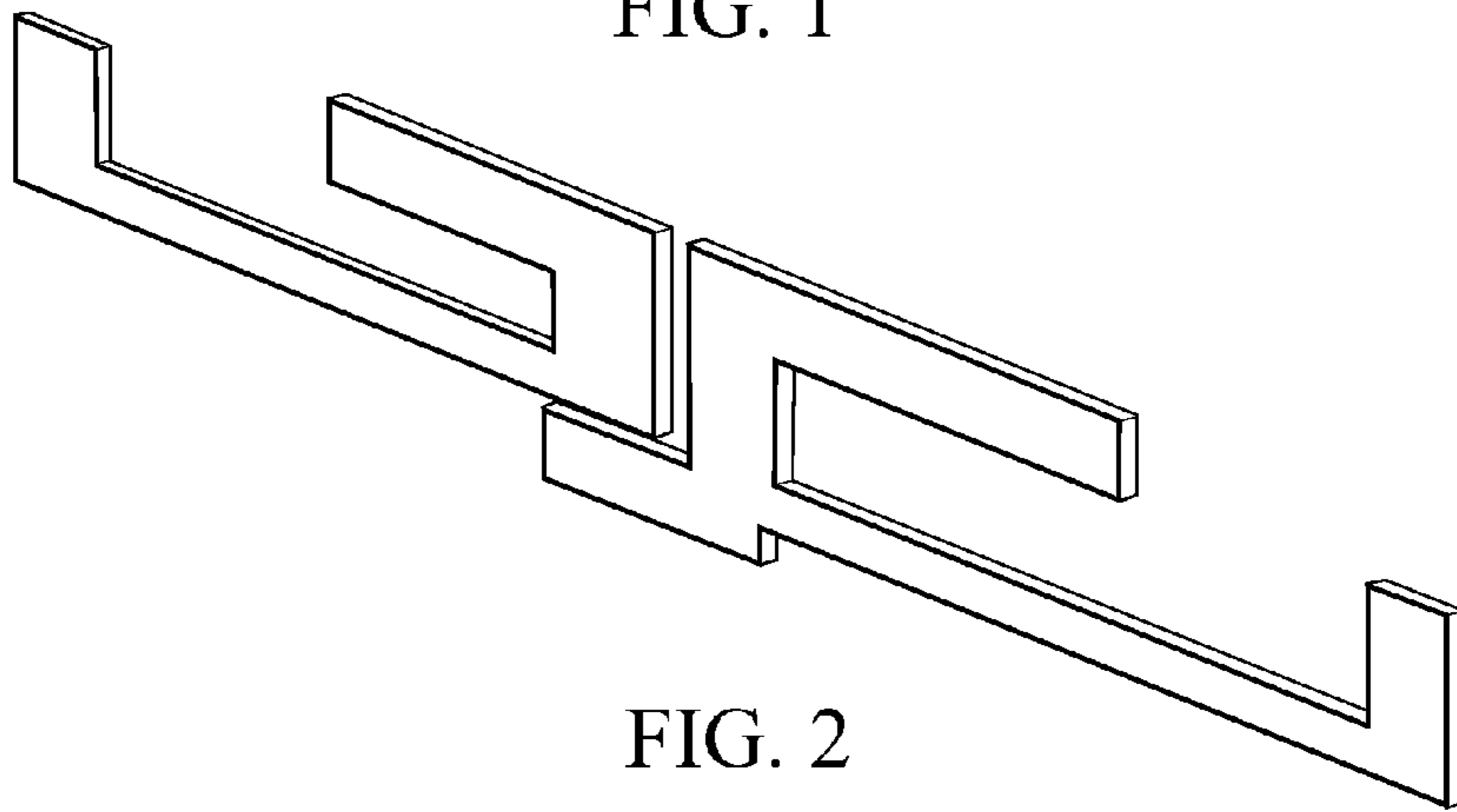


FIG. 2



FIG. 3



FIG. 4



FIG. 5

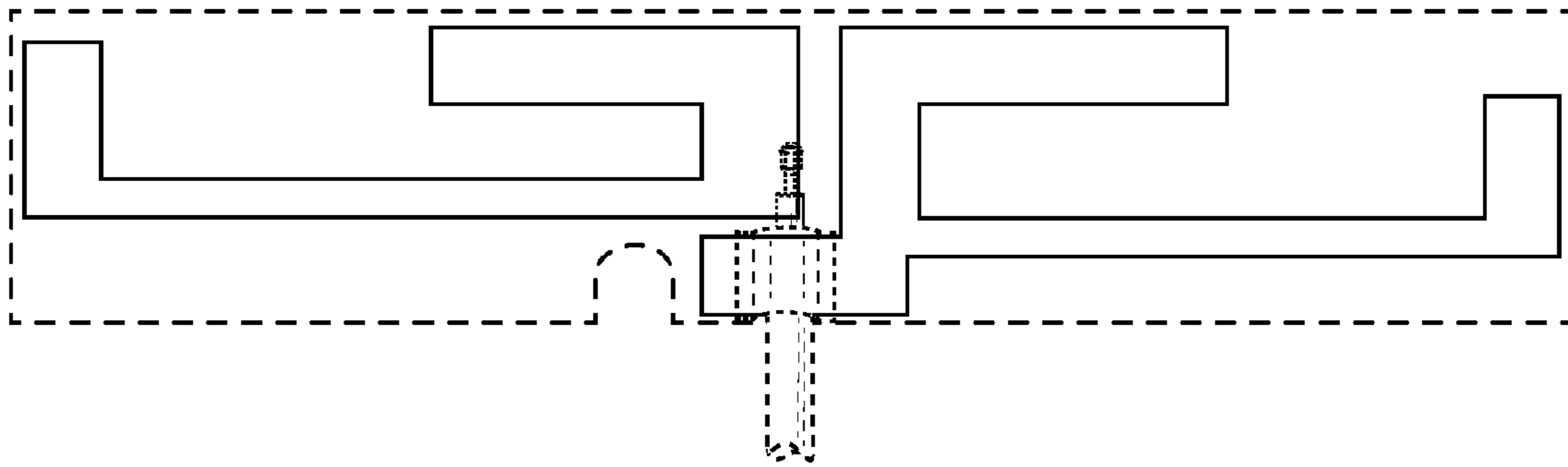


FIG. 6