

US00D689472S

(12) **United States Design Patent**  
**Erdel**

(10) **Patent No.:** **US D689,472 S**

(45) **Date of Patent:** **\*\* Sep. 10, 2013**

(54) **HEADSET EARBUDS**

(71) Applicant: **Tammy Erdel**, Draper, UT (US)

(72) Inventor: **Tammy Erdel**, Draper, UT (US)

(\*\*) Term: **14 Years**

(21) Appl. No.: **29/440,351**

(22) Filed: **Dec. 20, 2012**

**Related U.S. Application Data**

(63) Continuation-in-part of application No. 29/409,283, filed on Dec. 21, 2011, now Pat. No. Des. 676,415, and a continuation of application No. 13/722,418, filed on Dec. 20, 2012.

(51) **LOC (9) Cl.** ..... **14-01**

(52) **U.S. Cl.**  
USPC ..... **D14/223**

(58) **Field of Classification Search**  
USPC ..... D14/223, 205; D24/106, 174; 181/129, 181/130, 135; 379/430, 431, 420.03, 420.04, 379/428.01; 381/380, 381, 322, 328, 330, 381/371, 324, 325, 356; 128/864; 606/199; D8/385, 397

See application file for complete search history.

(56) **References Cited**

**U.S. PATENT DOCUMENTS**

2,504,307	A *	4/1950	Dalton	.....	381/91
3,934,100	A *	1/1976	Harada	.....	181/135
D355,702	S *	2/1995	Johnson	.....	D23/209
D463,789	S	10/2002	DeKalb et al.		
D463,790	S	10/2002	Beraut et al.		
D467,907	S	12/2002	Marion et al.		
6,731,772	B1 *	5/2004	Byun	.....	381/380
7,106,876	B2 *	9/2006	Santiago	.....	381/369
D556,326	S *	11/2007	Espersen	.....	D24/174

D572,706	S *	7/2008	Schaefer	.....	D14/225
D589,151	S *	3/2009	Sabio	.....	D24/174
D600,675	S *	9/2009	Lee et al.	.....	D14/205
D618,209	S	6/2010	Andre et al.		
D619,566	S *	7/2010	Yu	.....	D14/223
D641,010	S	7/2011	Kwon		
8,116,495	B2 *	2/2012	Spaulding	.....	381/328
8,165,322	B2 *	4/2012	Jambor et al.	.....	381/120
8,189,846	B2	5/2012	Tiscareno et al.		
8,199,952	B2 *	6/2012	Boltyenkov et al.	.....	381/328
8,233,652	B2 *	7/2012	Jorgensen et al.	.....	381/322
D676,415	S *	2/2013	Erdel et al.	.....	D14/205
8,369,554	B2 *	2/2013	Oberlander	.....	381/328
2008/0170740	A1	7/2008	Gantz		
2008/0187161	A1	8/2008	Tiemens et al.		
2009/0034775	A1	2/2009	Burton		
2009/0245558	A1	10/2009	Spaulding		
2011/0268308	A1	11/2011	Vasquez		
2012/0207337	A1	8/2012	Tiscareno et al.		

\* cited by examiner

*Primary Examiner* — Paula Greene

(74) *Attorney, Agent, or Firm* — Pate Baird, PLLC

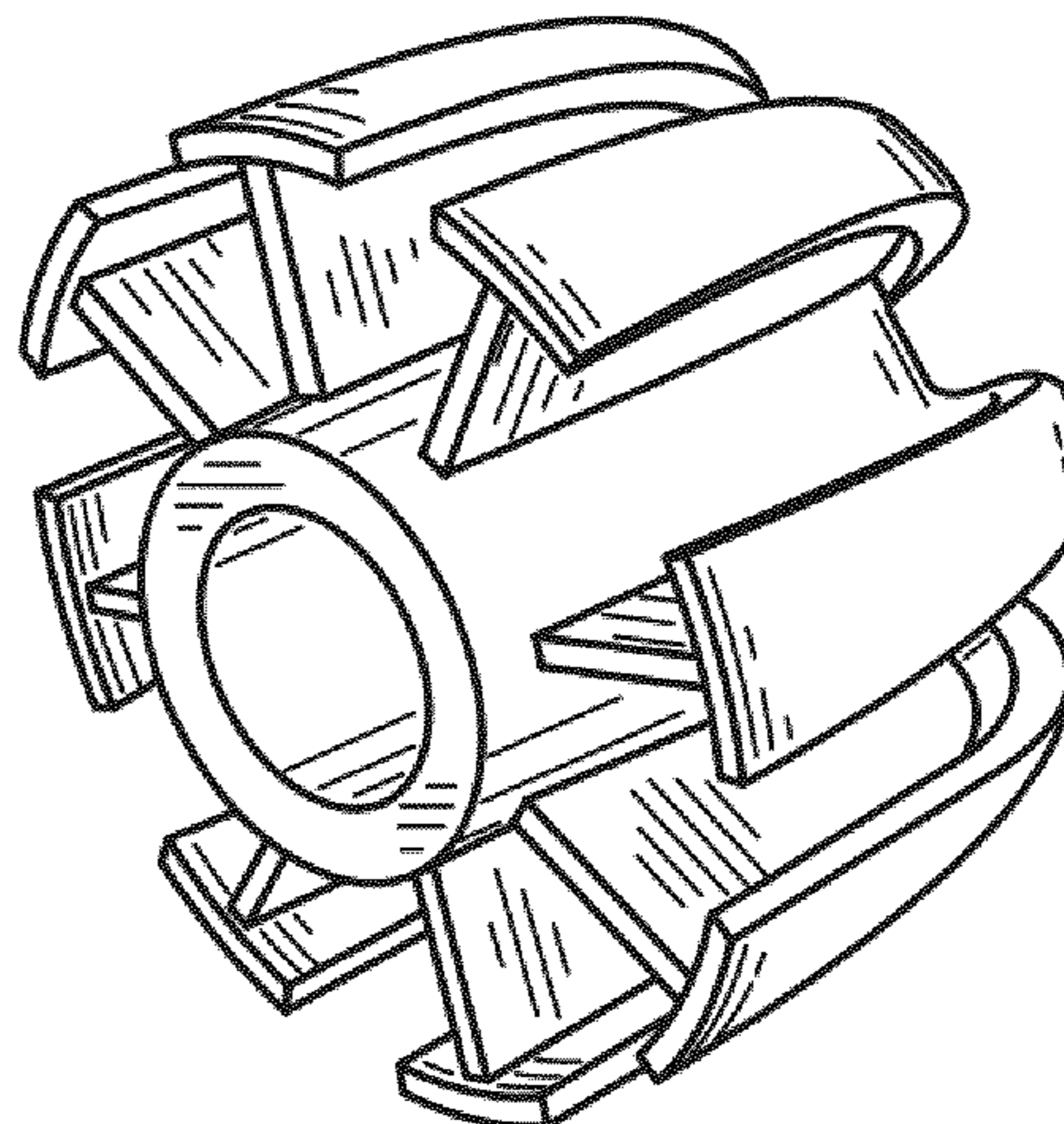
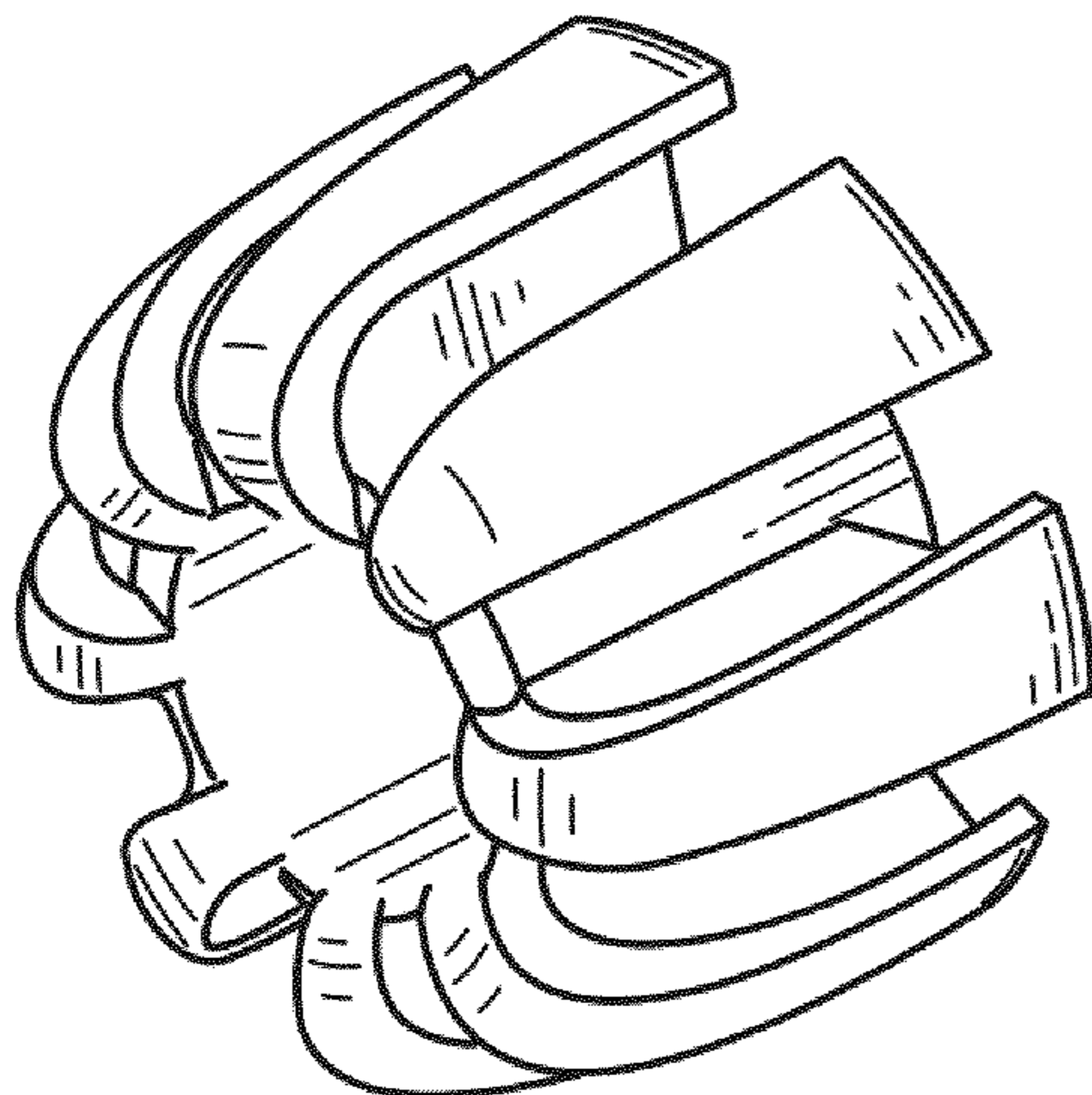
(57) **CLAIM**

The ornamental design for a headset earbud, as shown and described.

**DESCRIPTION**

FIG. 1 is a left side perspective view of an earbud in accordance with the invention;  
FIG. 2 is a right side perspective view thereof;  
FIG. 3 is a left side elevation view thereof;  
FIG. 4 is a right side elevation view thereof;  
FIG. 5 is a top plan view thereof, the bottom plan view being the same; and,  
FIG. 6 is a rear elevation view thereof, the front elevation view being a mirror image thereof about any vertical plane extending into the page to the left or right of the image.

**1 Claim, 1 Drawing Sheet**



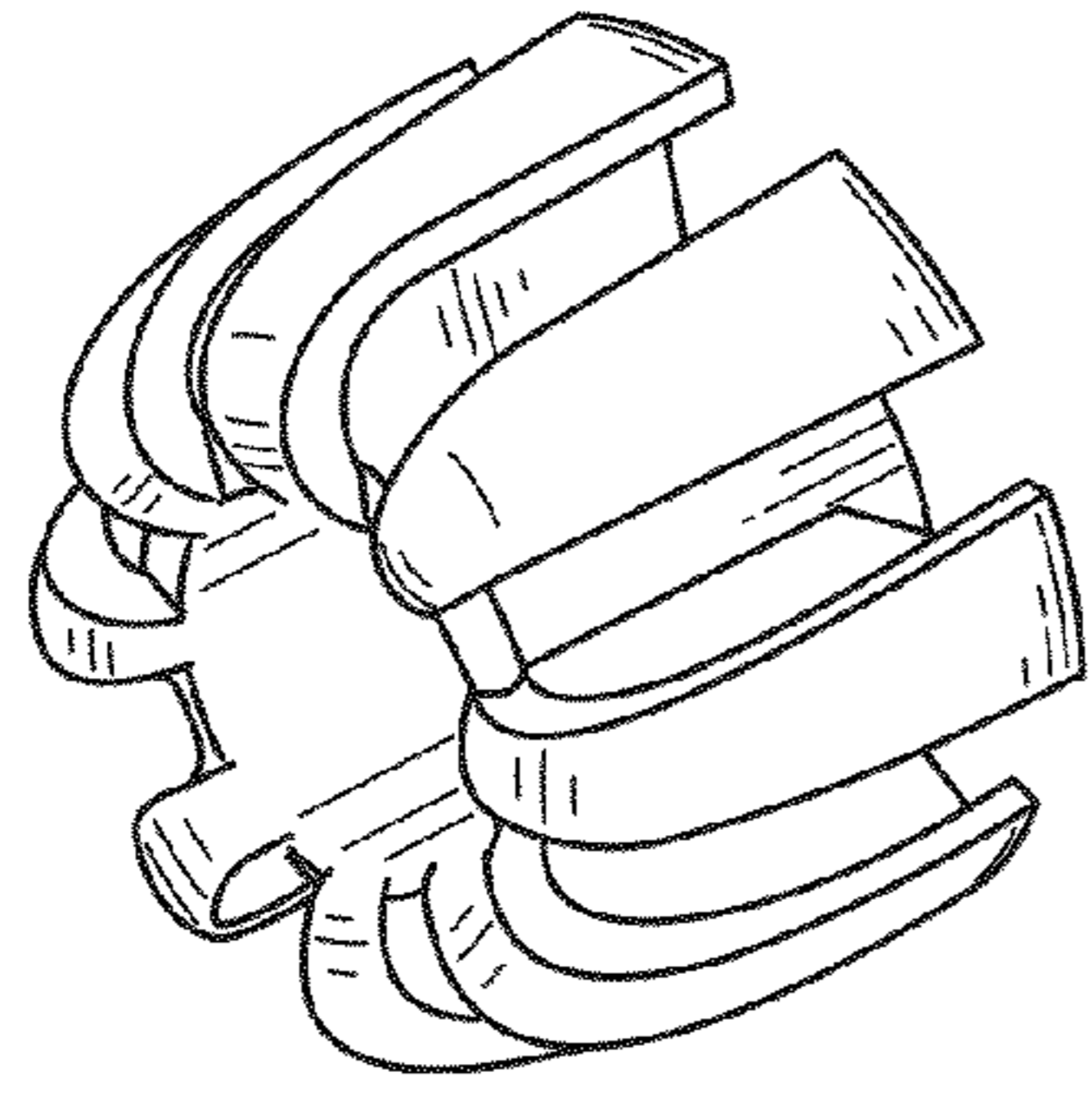


FIG. 1

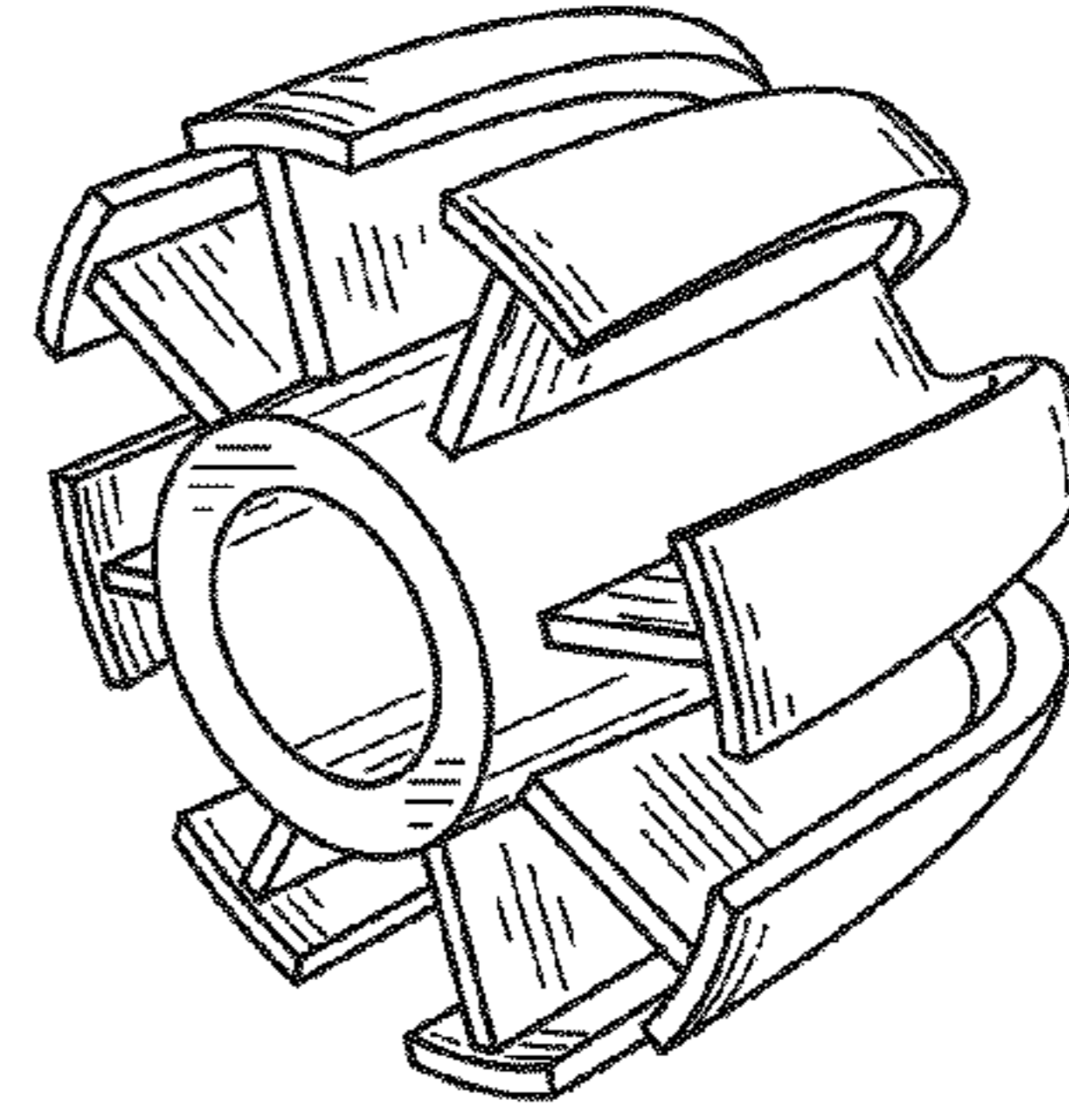


FIG. 2

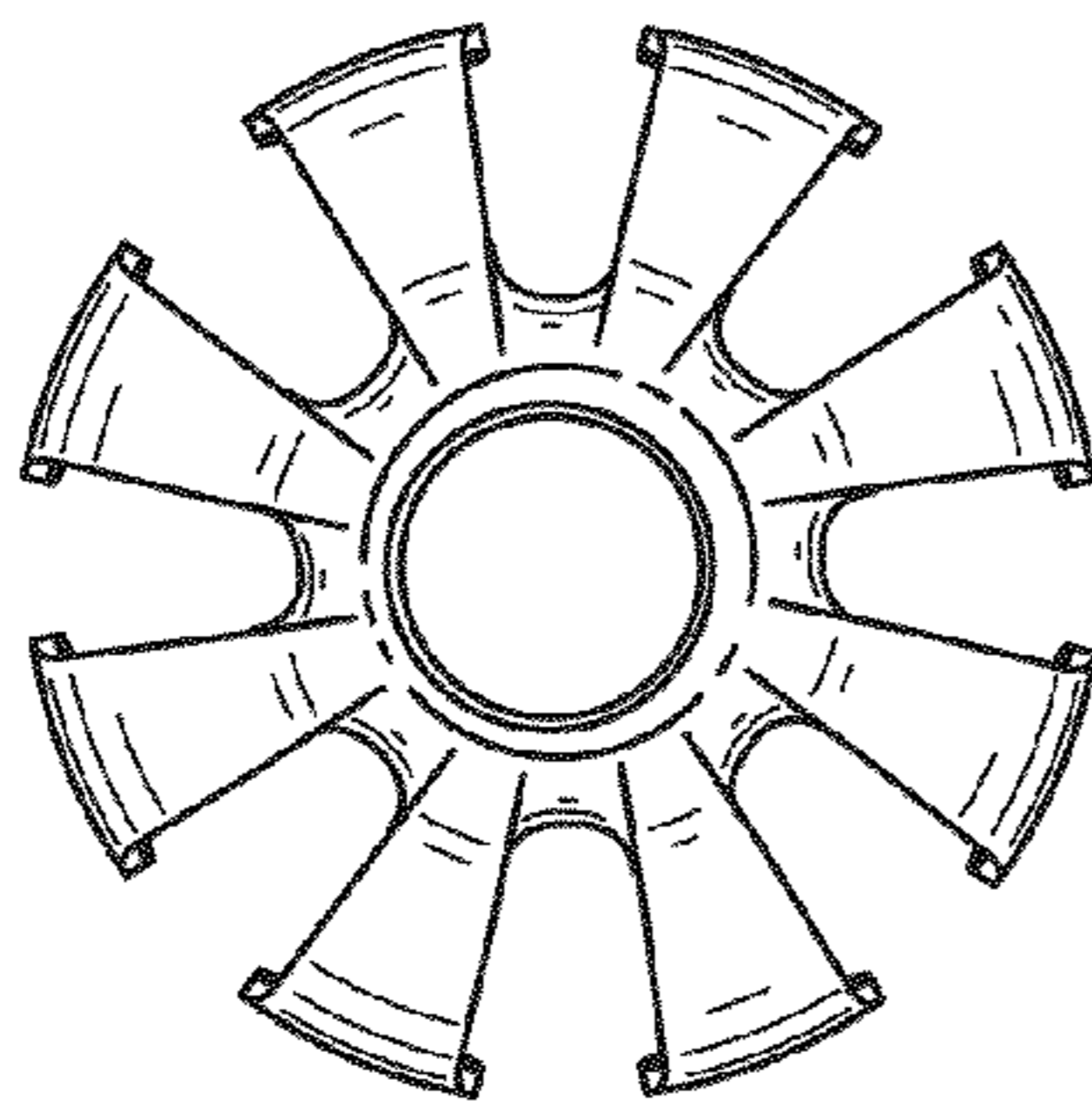


FIG. 3

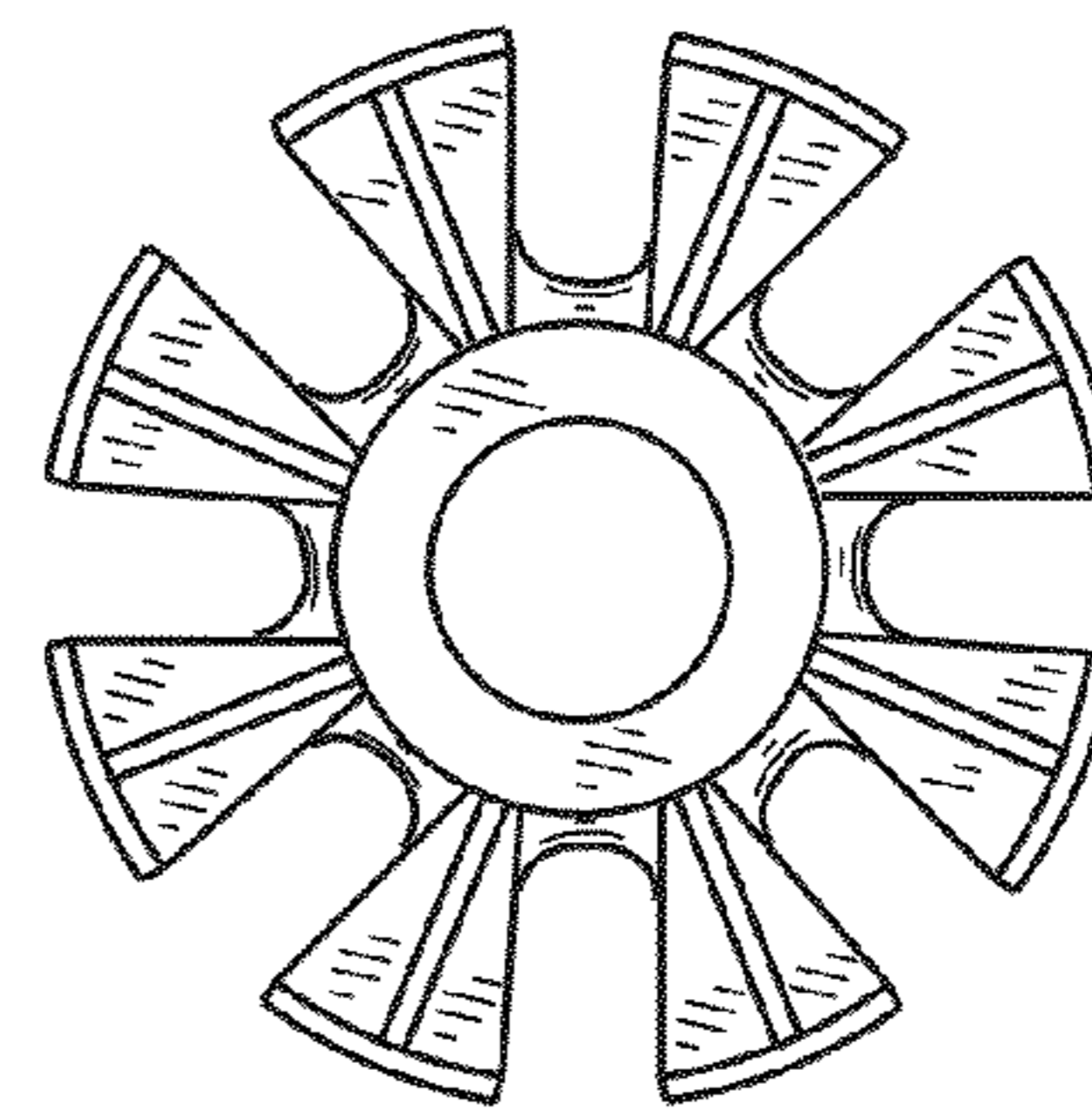


FIG. 4

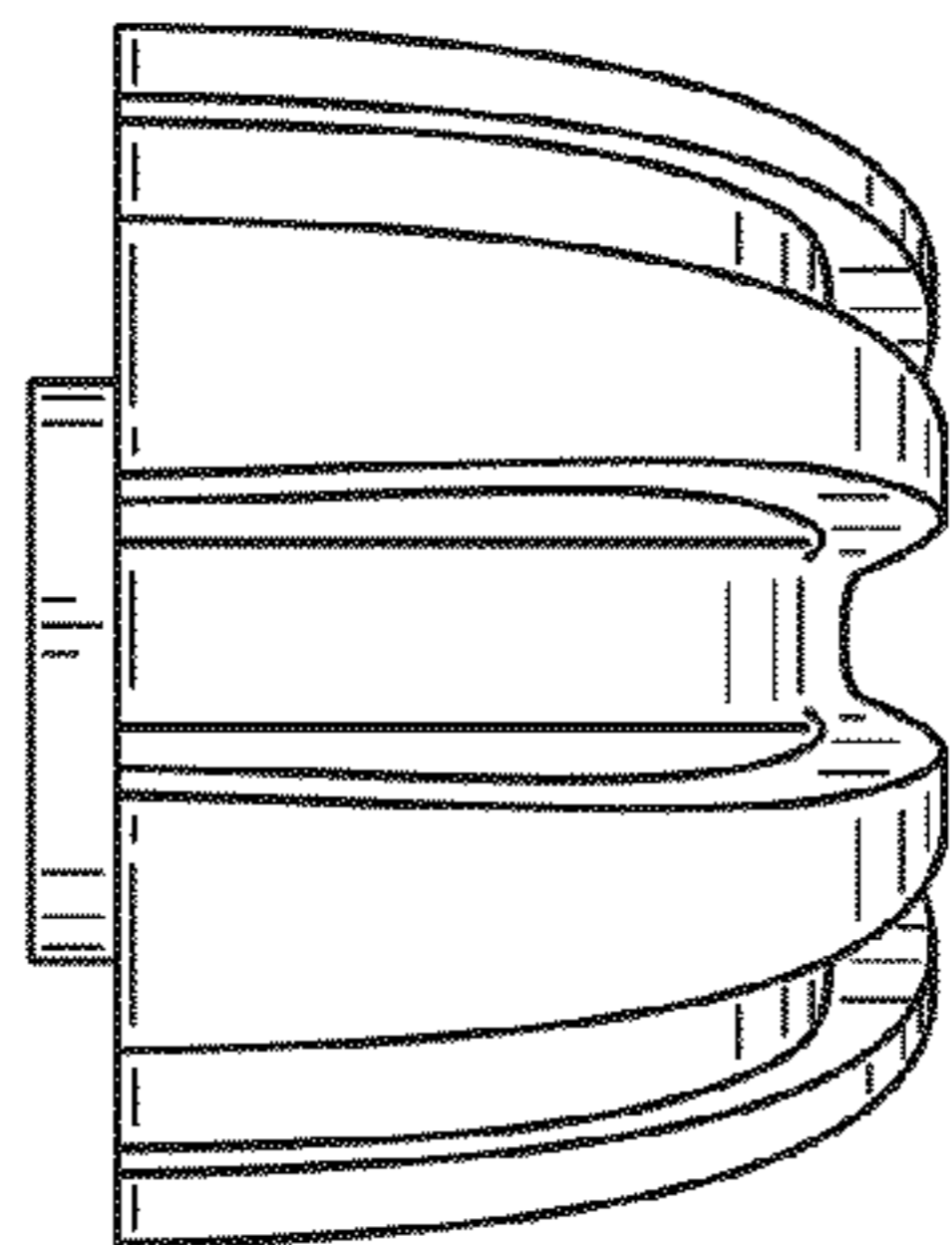


FIG. 5

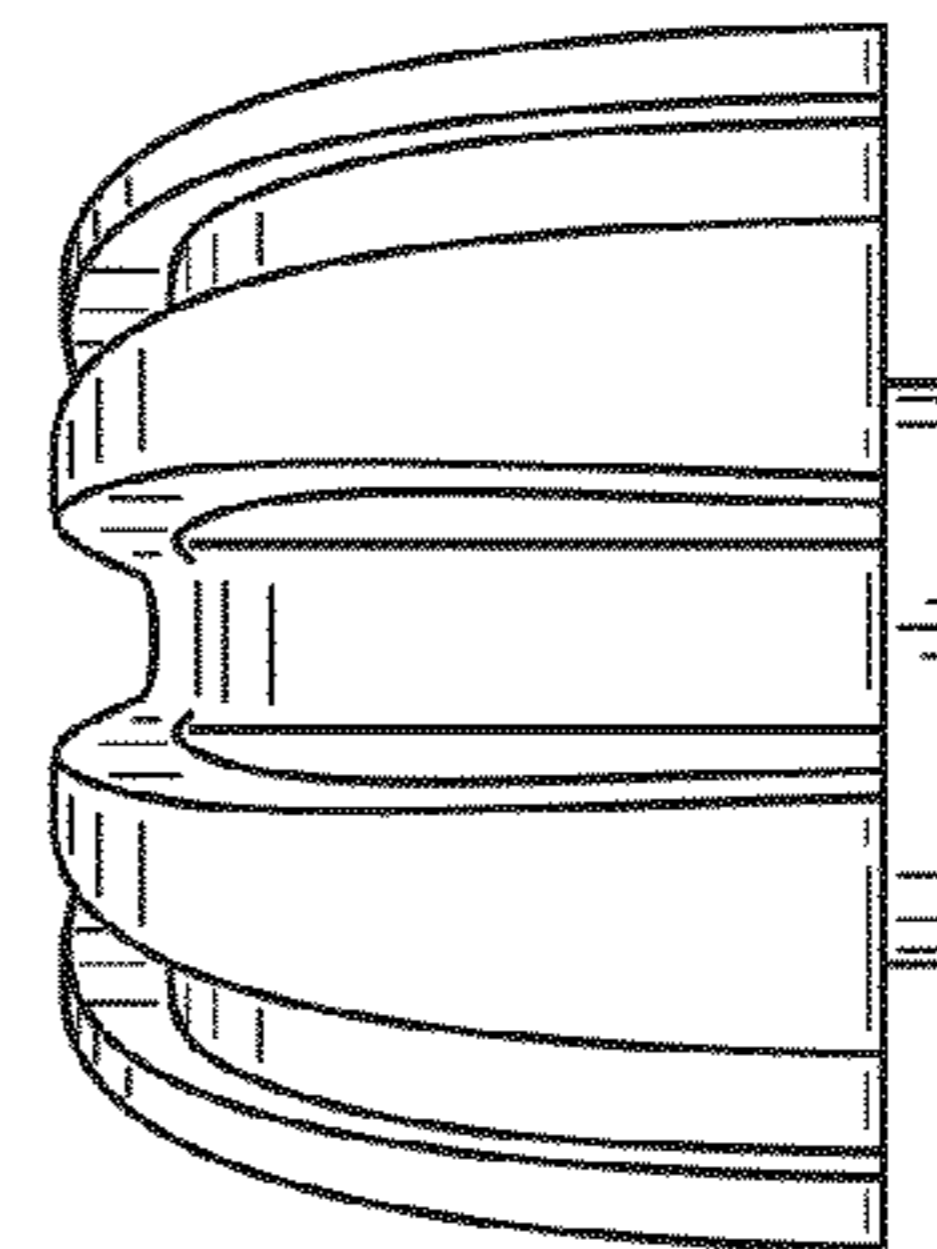


FIG. 6