



US00D689471S

(12) **United States Design Patent**
Hardi et al.

(10) **Patent No.:** **US D689,471 S**

(45) **Date of Patent:** **** Sep. 10, 2013**

(54) **PAIR OF EARBUDS**

(75) Inventors: **Jason A. Hardi**, Miami Beach, FL (US);
Curtis Jackson, New York, NY (US)

(73) Assignee: **SMS Audio LLC**, New York, NY (US)

(**) Term: **14 Years**

(21) Appl. No.: **29/426,959**

(22) Filed: **Jul. 12, 2012**

Related U.S. Application Data

(63) Continuation-in-part of application No. 29/403,531,
filed on Oct. 7, 2011, now Pat. No. Des. 666,996.

(51) **LOC (9) Cl.** **14-01**

(52) **U.S. Cl.**
USPC **D14/223**

(58) **Field of Classification Search**
USPC D14/205, 206, 223; 181/129, 130,
181/135; 379/430, 431; 381/380, 381, 374;
D13/133; 455/90.3, 575.1
See application file for complete search history.

(56) **References Cited**

U.S. PATENT DOCUMENTS

2,248,837	A *	7/1941	Walters	381/380
D243,698	S *	3/1977	Gietzen	D13/133
4,156,118	A	5/1979	Hargrave		
5,410,608	A	4/1995	Lucey et al.		
D357,921	S *	5/1995	Ming-Chin	D14/223
5,420,935	A	5/1995	Shinohara et al.		
5,581,627	A	12/1996	Bowser et al.		
D430,146	S *	8/2000	Lin	D14/223
D451,906	S	12/2001	Amae et al.		
6,386,314	B1 *	5/2002	Sheehan et al.	181/129
6,411,722	B1	6/2002	Wolf		

(Continued)

OTHER PUBLICATIONS

Murph, Darren, "sleek by 50 Cent Platinum Headphones announced, invites Beats to a showdown", Engadget.com/ Jan. 6, 2011, www.engadget.com/2011/01/06/sleek-by-50-cent-platinum.

(Continued)

Primary Examiner — Paula Greene

(74) *Attorney, Agent, or Firm* — Gottlieb, Rackman & Reisman, P.C.

(57) **CLAIM**

The ornamental design for pair of earbuds, as shown and described.

DESCRIPTION

FIG. 1 is a perspective view of the left and right earbud of the pair of earbuds showing our new design, the cord is drawn broken away for purposes of illustration;

FIG. 2 is a top plan view of the left earbud shown separately for purposes of illustration, the top plan view of the right earbud being a mirror image thereof;

FIG. 3 is a front elevational view of the left earbud, the front elevational view of the right earbud being a mirror image thereof;

FIG. 4 is a right side elevational view of the left earbud, the right side elevational view of the right earbud being a mirror image thereof;

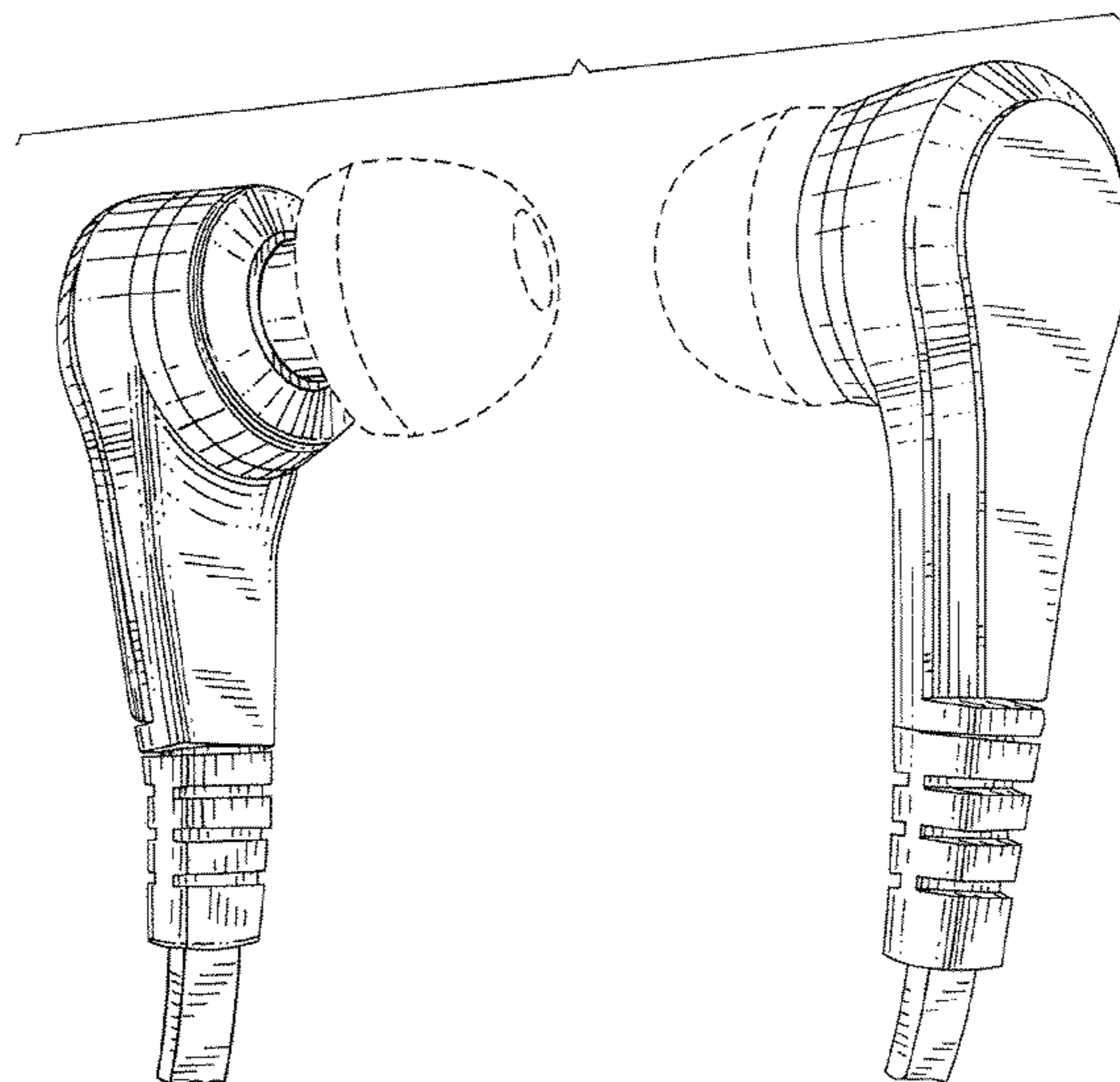
FIG. 5 is a left side elevational view of the left earbud, the rear elevational view of the right earbud being a mirror image thereof; and,

FIG. 6 is a rear elevational view of the left earbud, the rear elevational view of the right earbud being a mirror image thereof; and,

FIG. 7 is a bottom plan view of the left earbud, the bottom plan view of the right earbud being a mirror image thereof.

The broken lines showing of the environment in FIGS. 1-7 are for illustrative purpose only and form no part of the claimed design.

1 Claim, 3 Drawing Sheets



(56)

References Cited

U.S. PATENT DOCUMENTS

6,438,248 B1 * 8/2002 Kamimura et al. 381/374
 6,466,681 B1 10/2002 Siska, Jr. et al.
 6,574,345 B1 * 6/2003 Huang 381/380
 D482,348 S * 11/2003 Villaverde et al. D14/223
 6,668,064 B1 12/2003 Lin
 D485,548 S 1/2004 Obata
 6,731,772 B1 * 5/2004 Byun 381/380
 D499,397 S 12/2004 Hlas et al.
 D503,705 S 4/2005 Boursiquot
 D510,337 S * 10/2005 Tages D14/205
 D512,049 S * 11/2005 Yang D14/223
 D542,782 S 5/2007 Pena Angarita
 D554,109 S * 10/2007 Ledbetter et al. D14/223
 D554,627 S * 11/2007 Gondo D14/223
 D566,099 S * 4/2008 Komiyama D14/206
 D566,687 S * 4/2008 Duarte et al. D14/205
 D573,977 S * 7/2008 Ledbetter et al. D14/205
 D575,269 S 8/2008 Ledbetter et al.
 7,447,308 B2 * 11/2008 Tsai 379/430
 D586,750 S * 2/2009 Li D13/133
 D590,375 S 4/2009 Komiyama
 D596,616 S 7/2009 Andre et al.
 D598,901 S * 8/2009 Lee et al. D14/223

D599,781 S * 9/2009 Lee et al. D14/205
 7,590,258 B2 9/2009 Krywko
 D601,548 S * 10/2009 Morisawa D14/223
 D604,272 S * 11/2009 Kitayama D14/223
 D618,672 S * 6/2010 Harbeke et al. D14/223
 D626,117 S 10/2010 Lowry
 D631,034 S 1/2011 Yeo
 D641,738 S 7/2011 Perz
 D643,417 S * 8/2011 Lee et al. D14/223
 D656,492 S 3/2012 Huang
 D658,157 S * 4/2012 McManigal D14/205
 D660,823 S 5/2012 Hardi et al.
 D660,824 S 5/2012 Hardi et al.
 D662,493 S 6/2012 Chen
 D666,996 S * 9/2012 Hardi et al. D14/223
 D668,244 S * 10/2012 Matsumura D14/223
 D673,531 S * 1/2013 Lee et al. D14/223
 D676,026 S * 2/2013 Lee et al. D14/223

OTHER PUBLICATIONS

Evans, Joel, "Review: Beats by Dr. Dre headphones", Geek.com., Jul. 3, 2008, www.geek.com/articles/gadgets/review-beats-by-dr-re-headphones-20080730.

* cited by examiner

FIG. 1

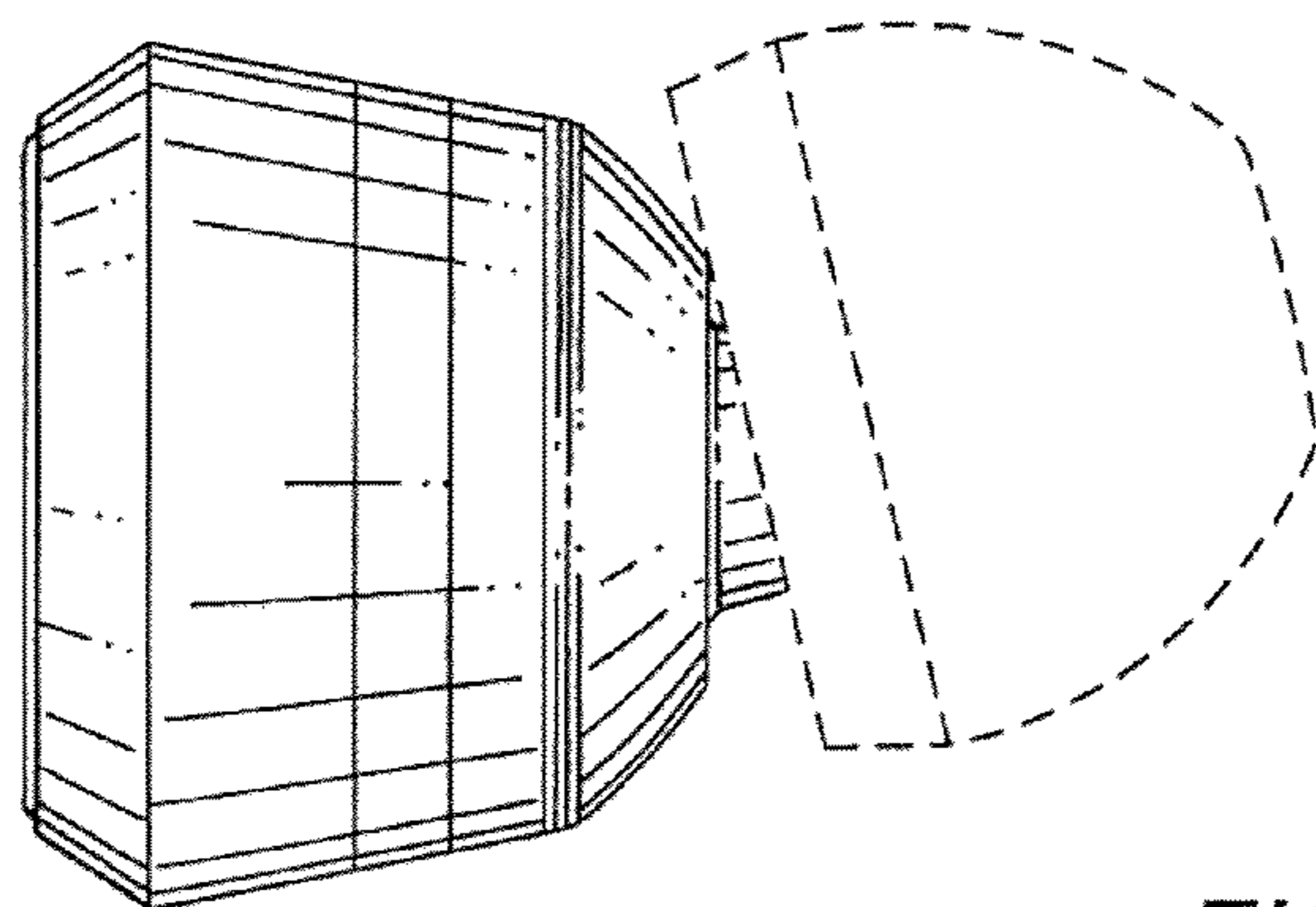
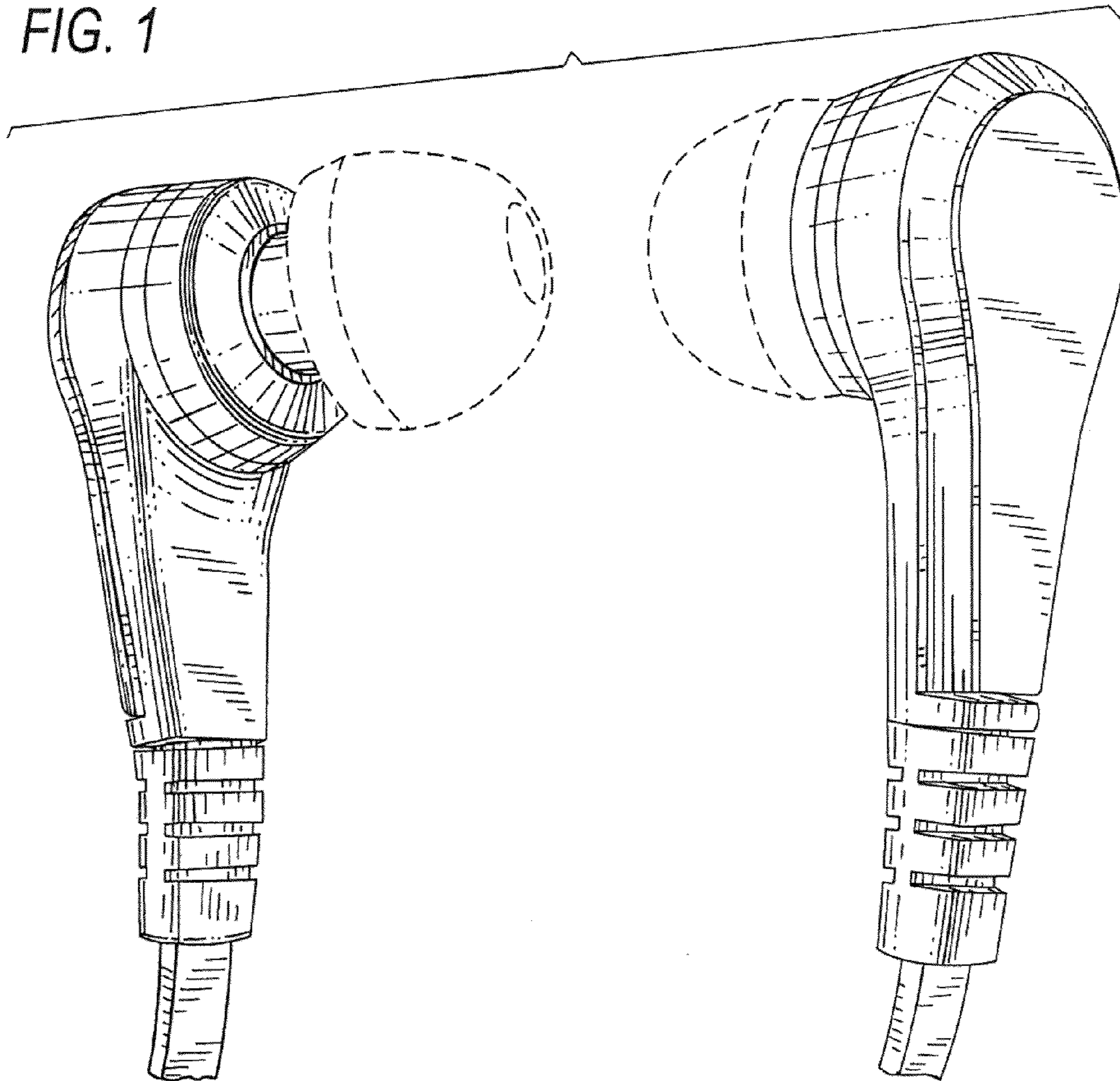


FIG. 2

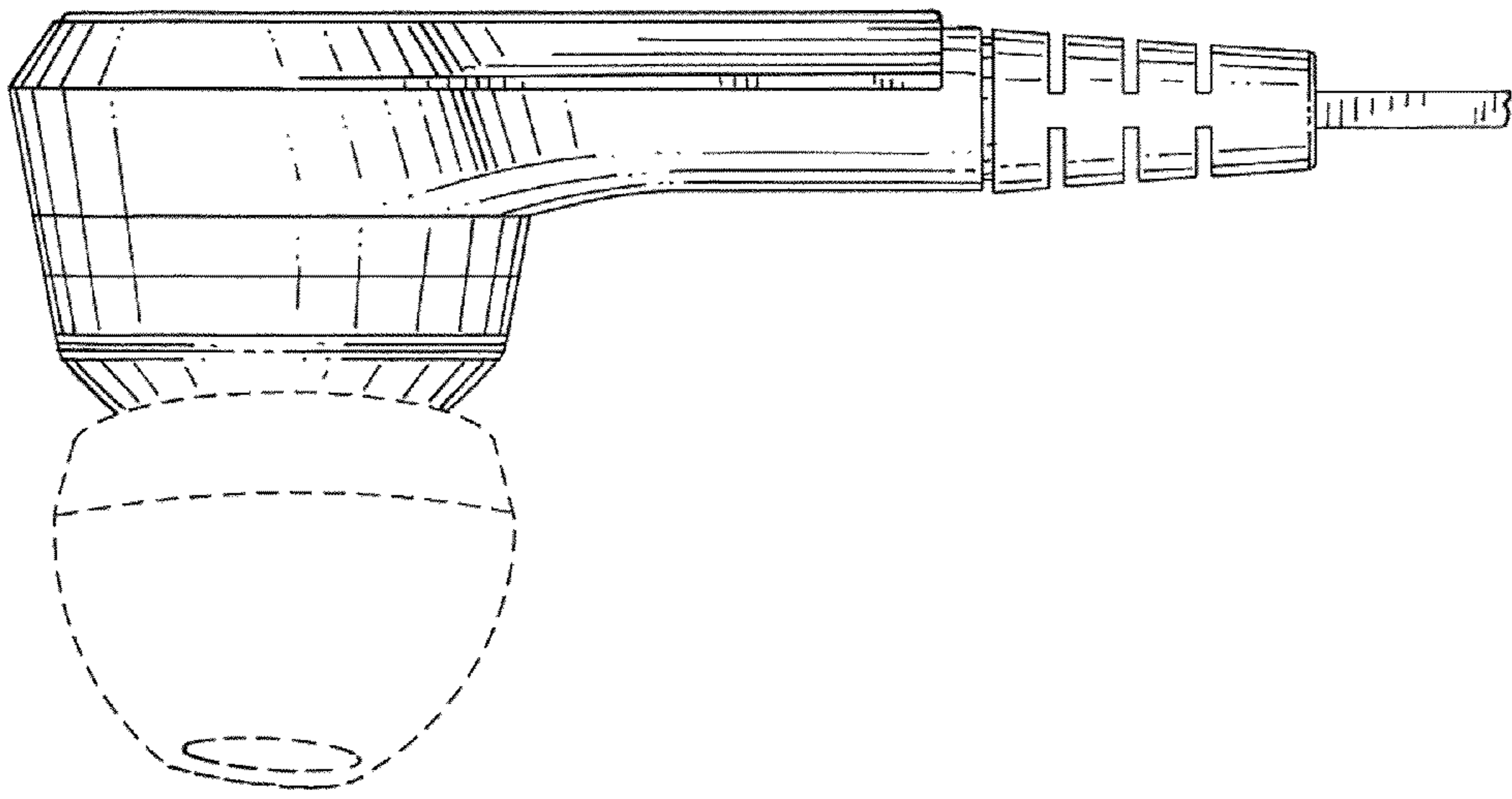


FIG. 5

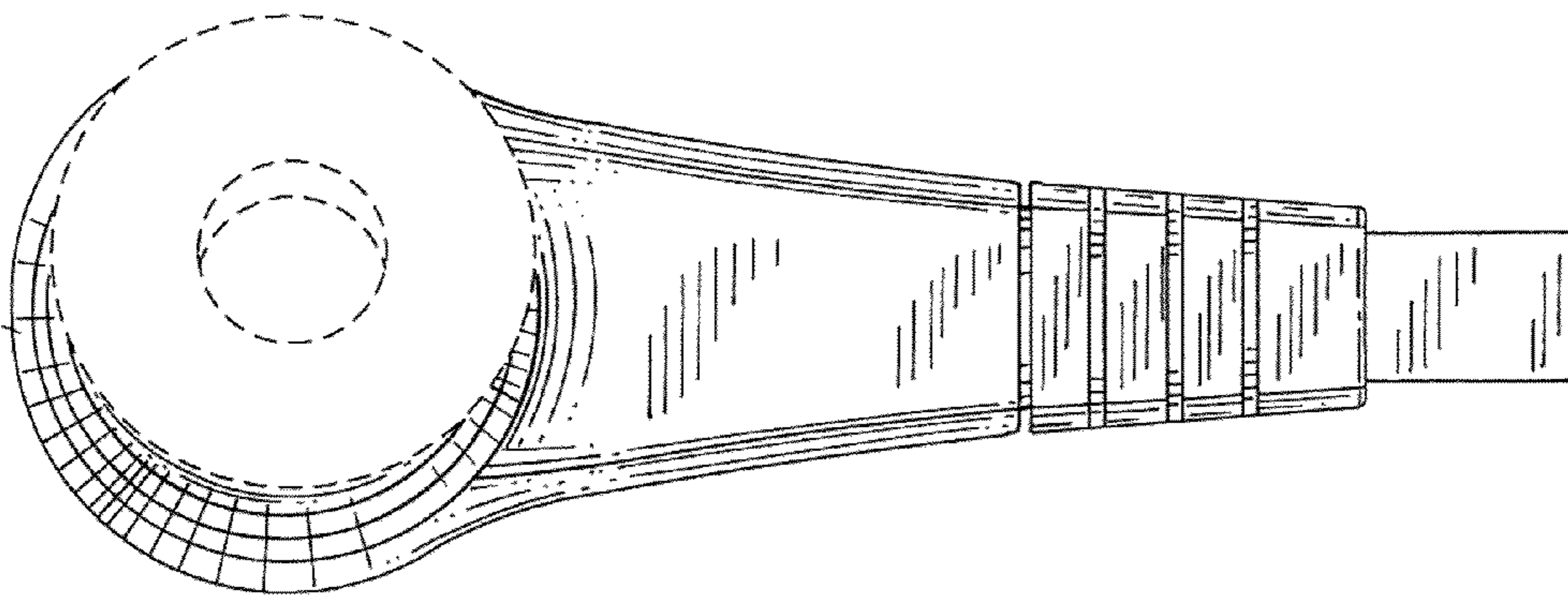


FIG. 3

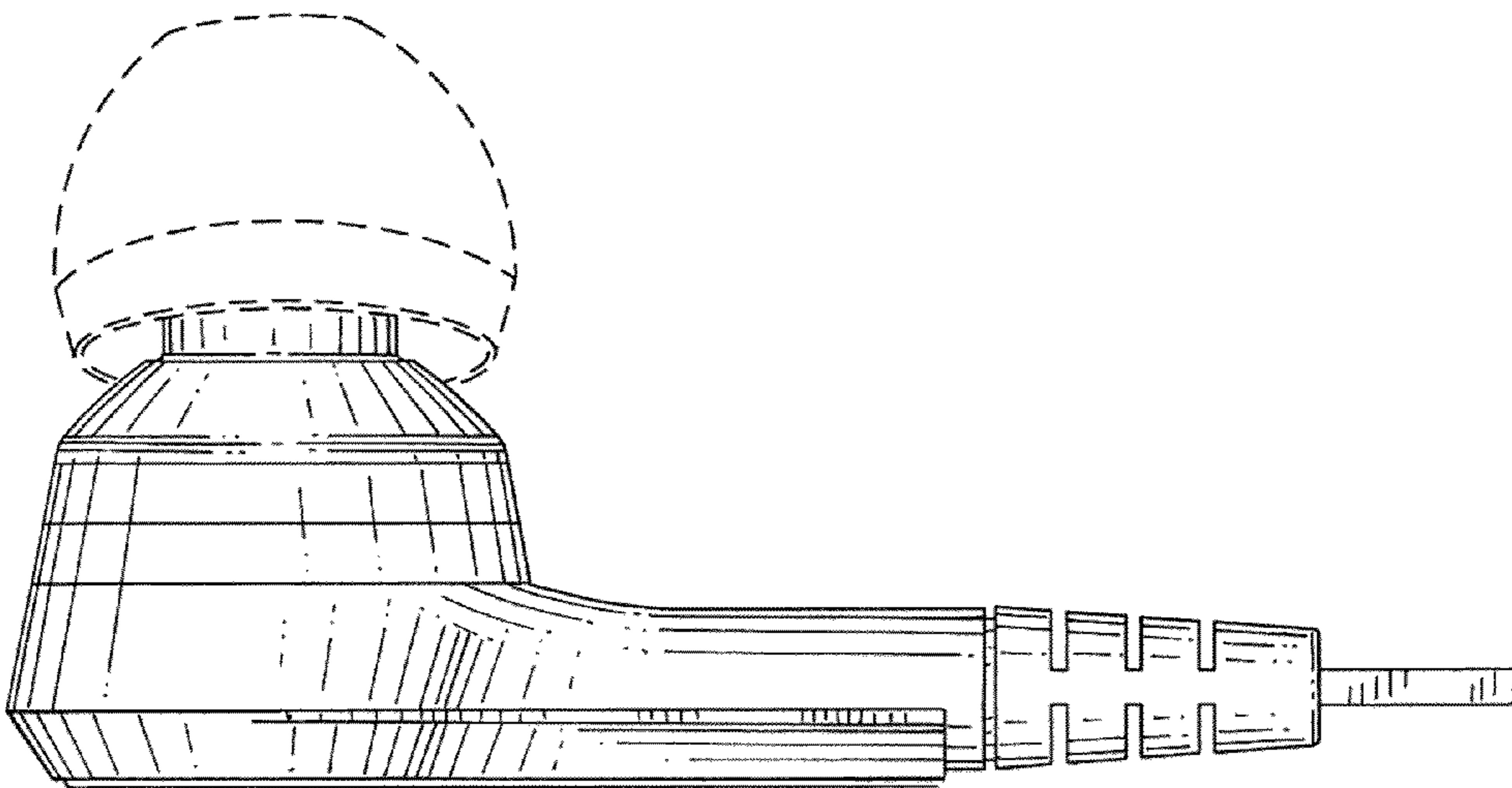


FIG. 4

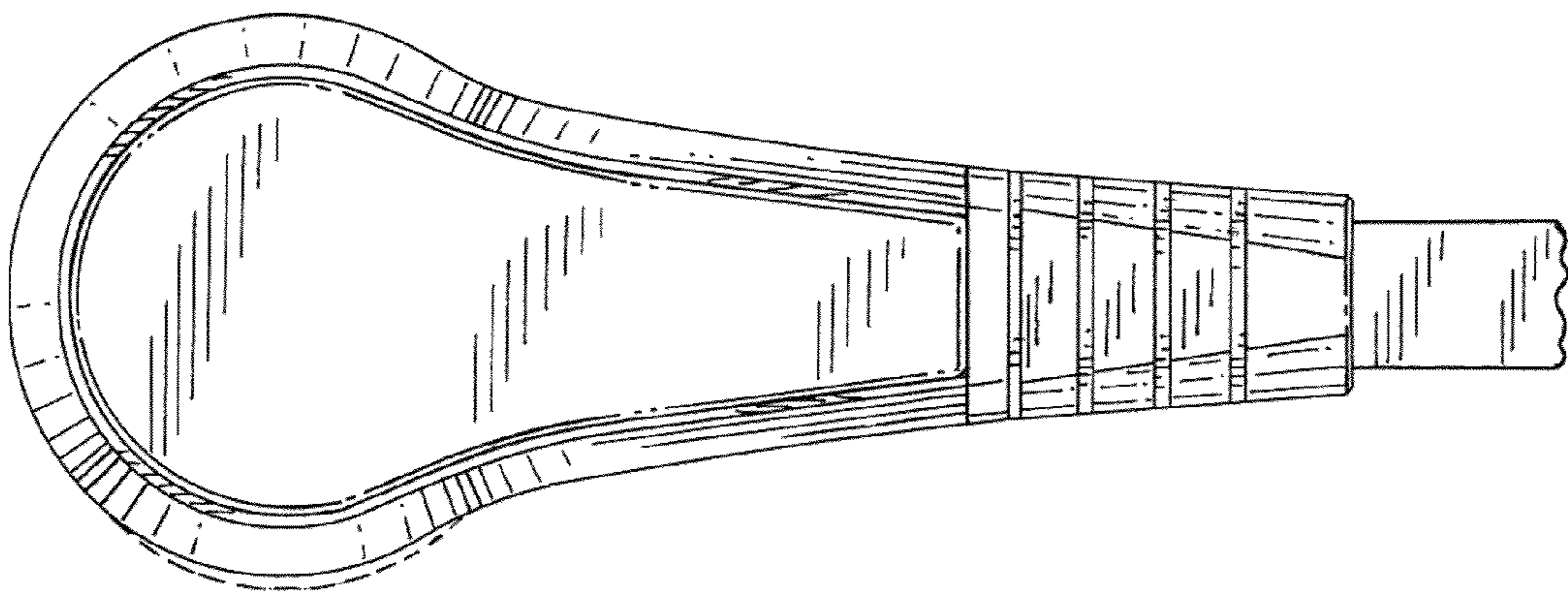


FIG. 6

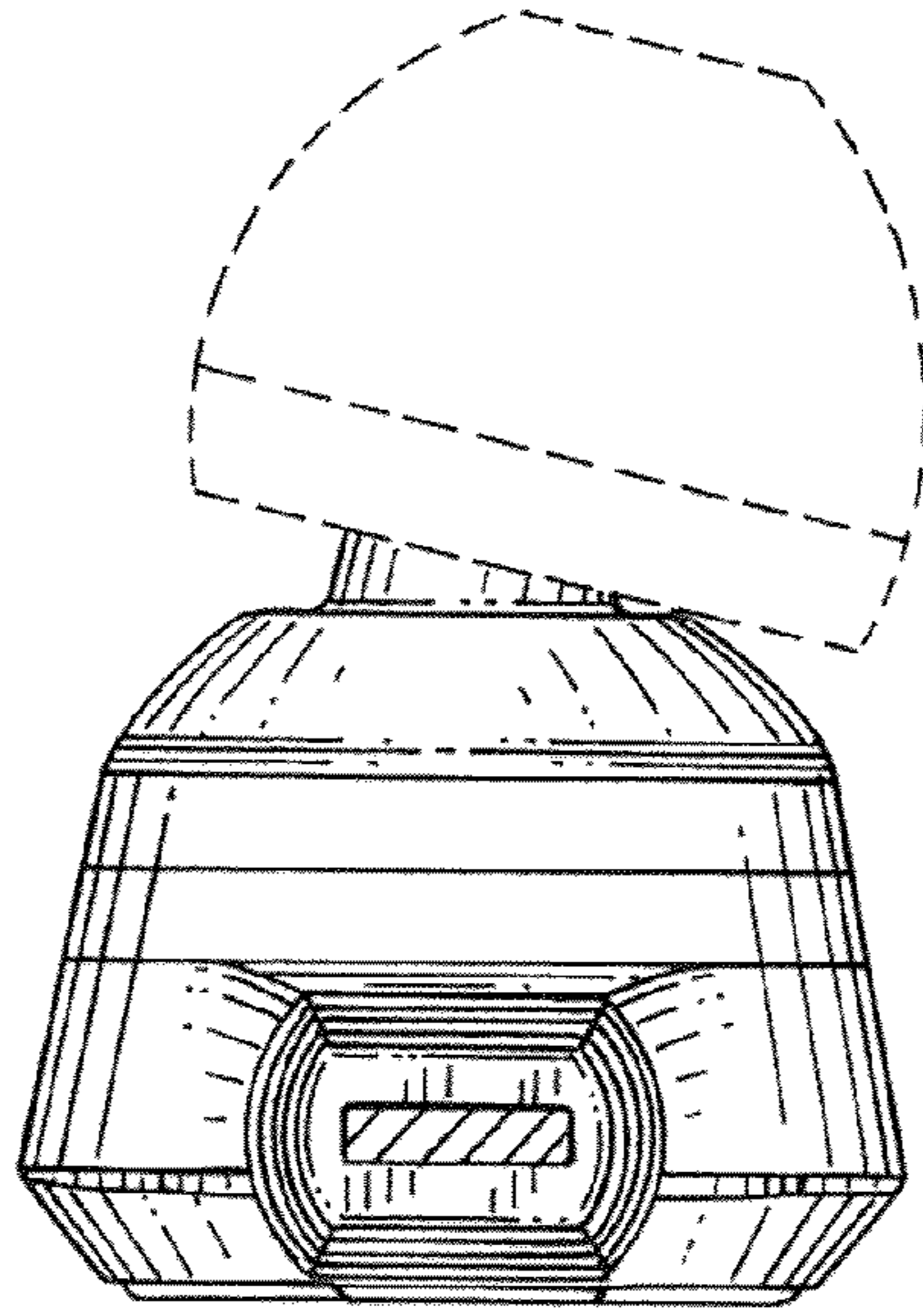


FIG. 7