



US00D689470S

(12) **United States Design Patent**  
**Chen**

(10) **Patent No.:** **US D689,470 S**

(45) **Date of Patent:** **\*\* Sep. 10, 2013**

(54) **DIAPHRAGM**

(75) Inventor: **Hwang-Miaw Chen**, New Taipei (TW)

(73) Assignee: **Hon Hai Precision Industry Co., Ltd.**,  
New Taipei (TW)

(\*\*) Term: **14 Years**

(21) Appl. No.: **29/420,792**

(22) Filed: **May 14, 2012**

(30) **Foreign Application Priority Data**

Apr. 3, 2012 (CN) ..... 2012 3 0093904

(51) **LOC (9) Cl.** ..... **14-01**

(52) **U.S. Cl.**  
USPC ..... **D14/222; D14/215**

(58) **Field of Classification Search**  
USPC ..... D14/204, 210–215, 221, 222, 172;  
181/147, 148, 150–153, 157, 166, 198, 199;  
381/300–303, 306, 332, 333, 336, 345, 361–364,  
381/386–388

See application file for complete search history.

(56) **References Cited**

**U.S. PATENT DOCUMENTS**

D85,825 S \* 12/1931 Houghton ..... D14/222  
2,439,665 A \* 4/1948 Marquis ..... 181/169  
4,963,837 A \* 10/1990 Dedic ..... 330/264  
6,308,960 B1 \* 10/2001 Peale ..... 277/631  
7,306,073 B2 \* 12/2007 Frasl ..... 181/173  
D568,300 S \* 5/2008 Akaishi et al. .... D14/222

D616,423 S \* 5/2010 Chen ..... D14/222  
D619,565 S \* 7/2010 Chen ..... D14/222  
D626,345 S \* 11/2010 Muller ..... D6/319  
D650,367 S \* 12/2011 Chen ..... D14/222

\* cited by examiner

*Primary Examiner* — Prabhakar Deshmukh

(74) *Attorney, Agent, or Firm* — Altis Law Group, Inc.

(57) **CLAIM**

The ornamental design for a diaphragm, as shown and described.

**DESCRIPTION**

FIG. 1 is a perspective view of a diaphragm showing my new design;

FIG. 2 is a front elevational view thereof.

FIG. 3 is a rear elevational view thereof.

FIG. 4 is a left side elevational view thereof.

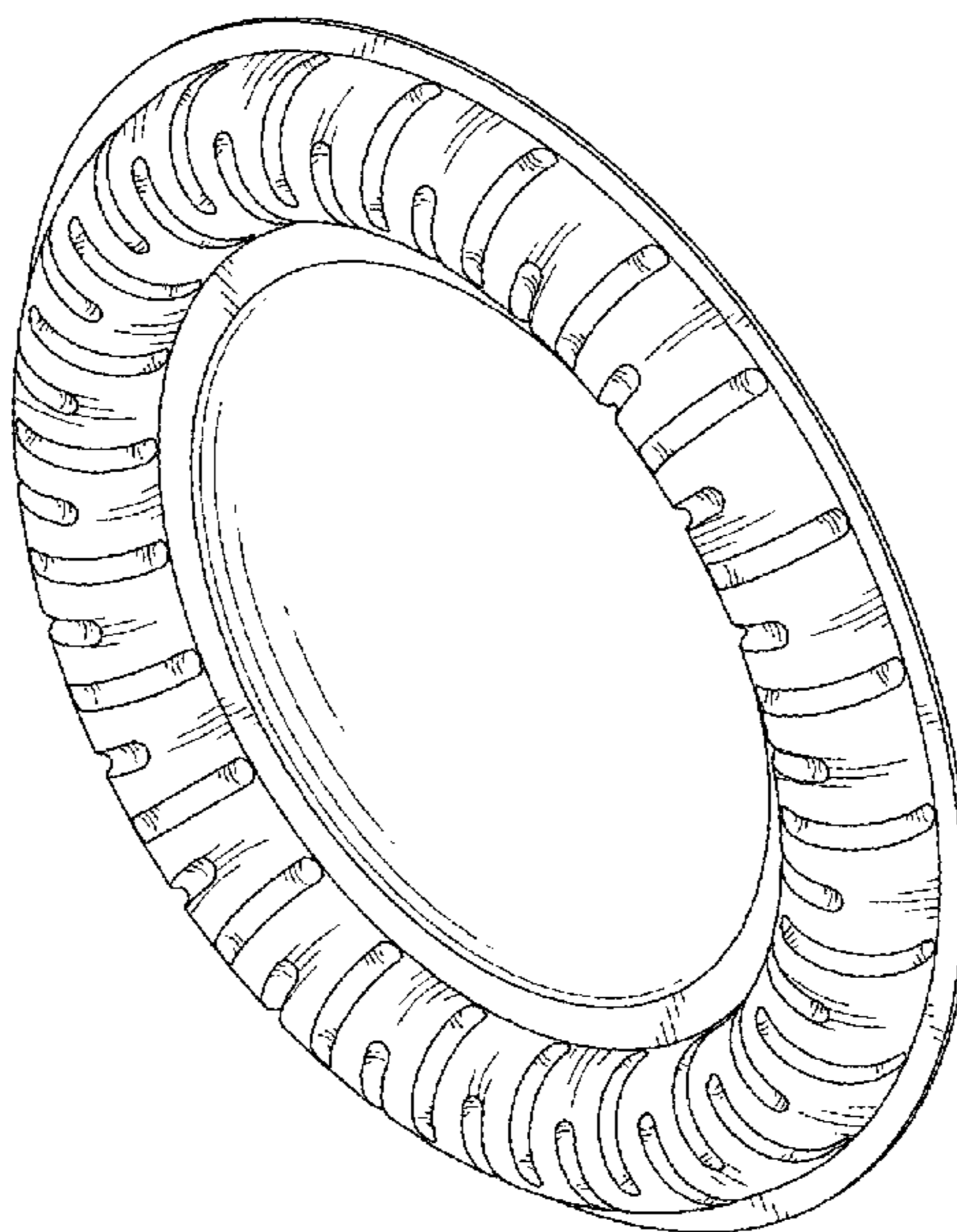
FIG. 5 is a top plan view thereof; and,

FIG. 6 is a cross-sectional view thereof, corresponding to 6-6 of FIG. 2.

The diaphragm is symmetrical about a central vertical axial plane thereof. Hence a right side elevational view of the diaphragm is a mirror image of the left side elevational view thereof.

In addition, the diaphragm is symmetrical about 6-6 of FIG. 2. Hence a bottom plan view of the diaphragm is a mirror image of the top plan view thereof.

**1 Claim, 6 Drawing Sheets**



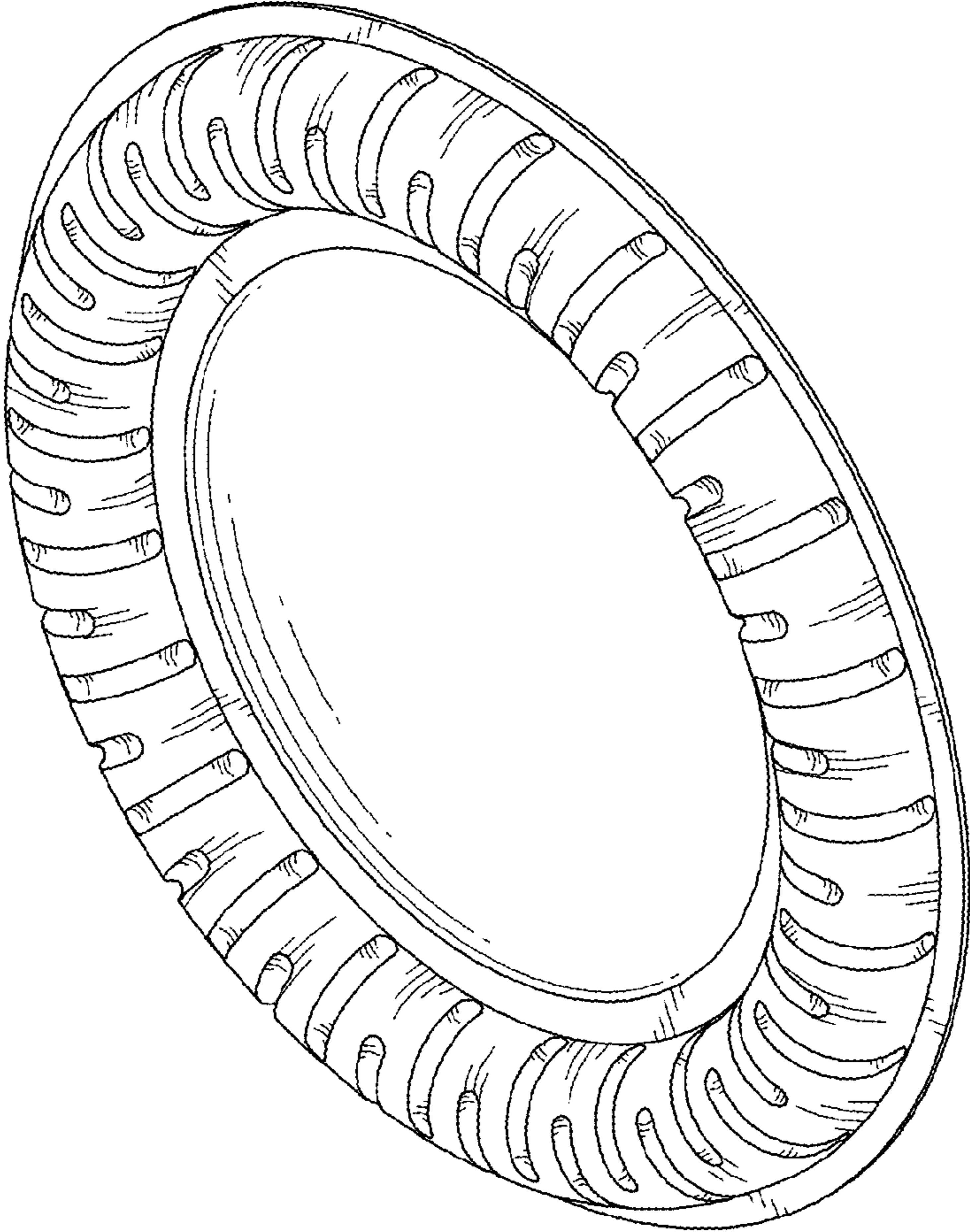


FIG. 1

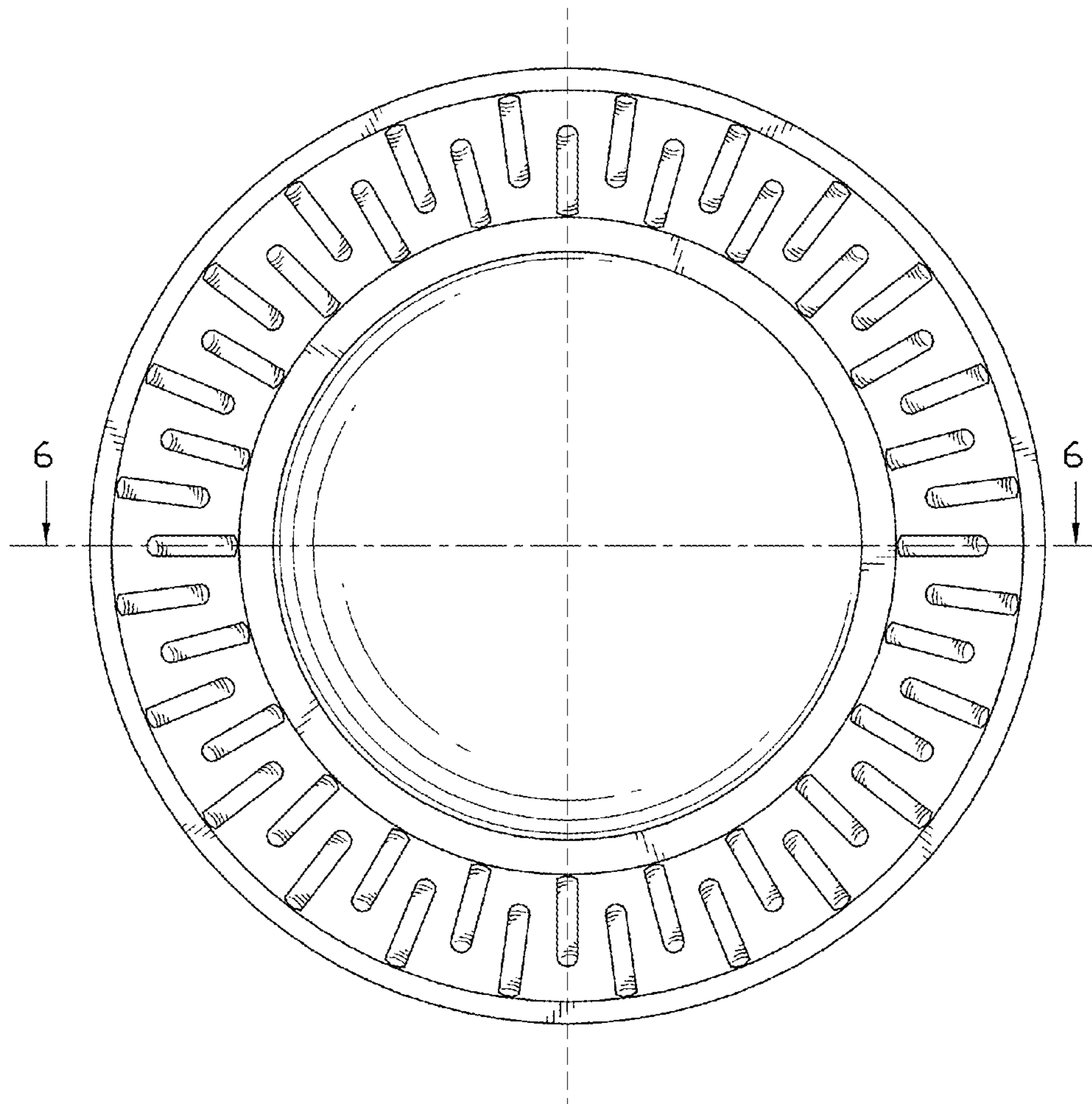


FIG. 2

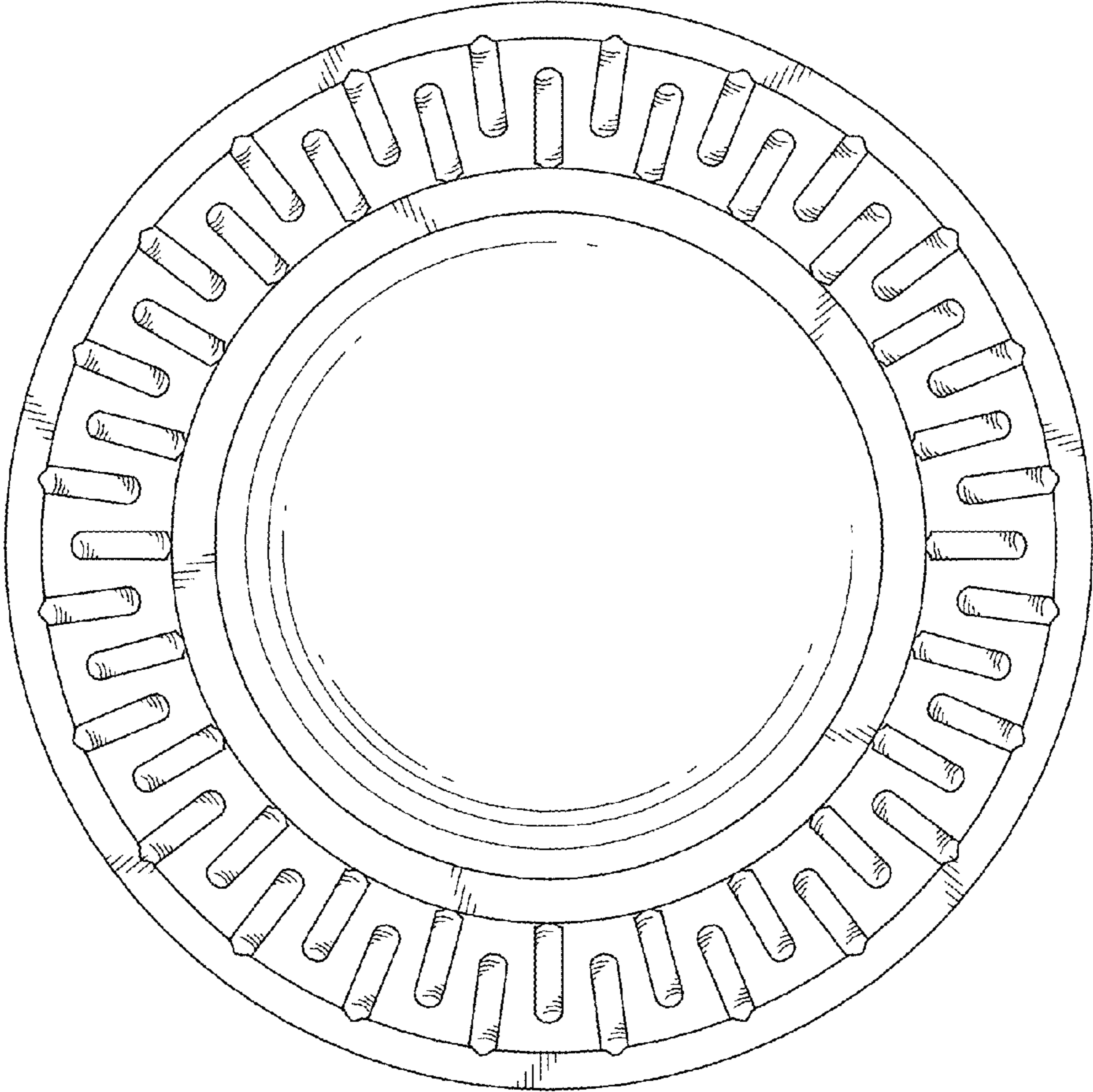


FIG. 3

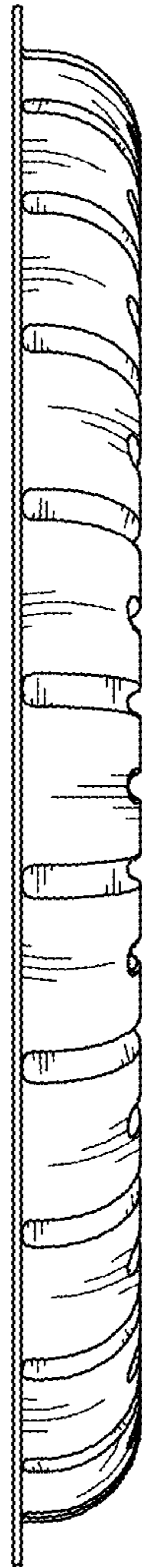


FIG. 4

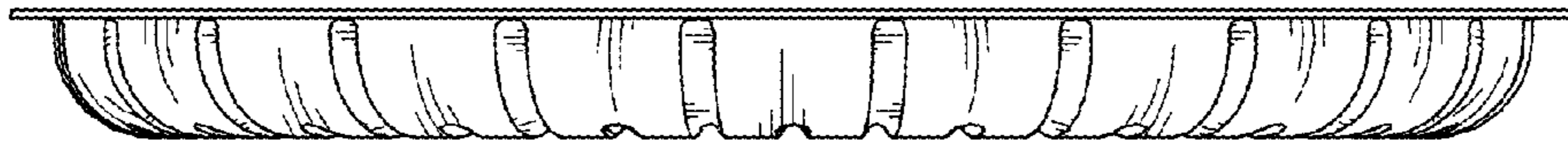


FIG. 5



FIG. 6