



US00D689469S

(12) **United States Design Patent**  
**Chen**

(10) **Patent No.:** **US D689,469 S**

(45) **Date of Patent:** **\*\* Sep. 10, 2013**

(54) **SOUND BOX**

(75) Inventor: **Hwang-Miaw Chen**, New Taipei (TW)

(73) Assignee: **Hon Hai Precision Industry Co., Ltd.**,  
New Taipei (TW)

(\*\*) Term: **14 Years**

(21) Appl. No.: **29/420,791**

(22) Filed: **May 14, 2012**

(30) **Foreign Application Priority Data**

Apr. 3, 2012 (CN) ..... 2012 3 0093903

(51) **LOC (9) Cl.** ..... **14-01**

(52) **U.S. Cl.**

USPC ..... **D14/221**; D14/214

(58) **Field of Classification Search**

USPC ..... D14/204, 218, 172, 210–216, 221;  
181/143, 147, 148, 150, 153, 157, 198, 199,  
181/166, 144; 381/300–303, 306, 332, 333,  
381/336, 345, 361–364, 370, 386–388

See application file for complete search history.

(56) **References Cited**

**U.S. PATENT DOCUMENTS**

4,221,929 A \* 9/1980 Fukuda ..... 381/386  
4,805,729 A \* 2/1989 Wascom ..... 181/144

5,000,286 A \* 3/1991 Crawford et al. .... 181/145  
D429,489 S \* 8/2000 Genatossio ..... D14/221  
D512,415 S \* 12/2005 Brimhall et al. .... D14/221  
D517,051 S \* 3/2006 Nevares et al. .... D14/221  
D565,029 S \* 3/2008 Ching ..... D14/214  
D597,529 S \* 8/2009 Tan et al. .... D14/214  
D666,170 S \* 8/2012 Allen ..... D14/211  
D670,268 S \* 11/2012 Allen ..... D14/211

\* cited by examiner

*Primary Examiner* — Prabhakar Deshmukh

(74) *Attorney, Agent, or Firm* — Altis Law Group, Inc.

(57) **CLAIM**

The ornamental design for a sound box, as shown and described.

**DESCRIPTION**

FIG. 1 is a perspective view of a sound box showing my new design.

FIG. 2 is a front elevational view thereof.

FIG. 3 is a rear elevational view thereof.

FIG. 4 is a left side elevational view thereof.

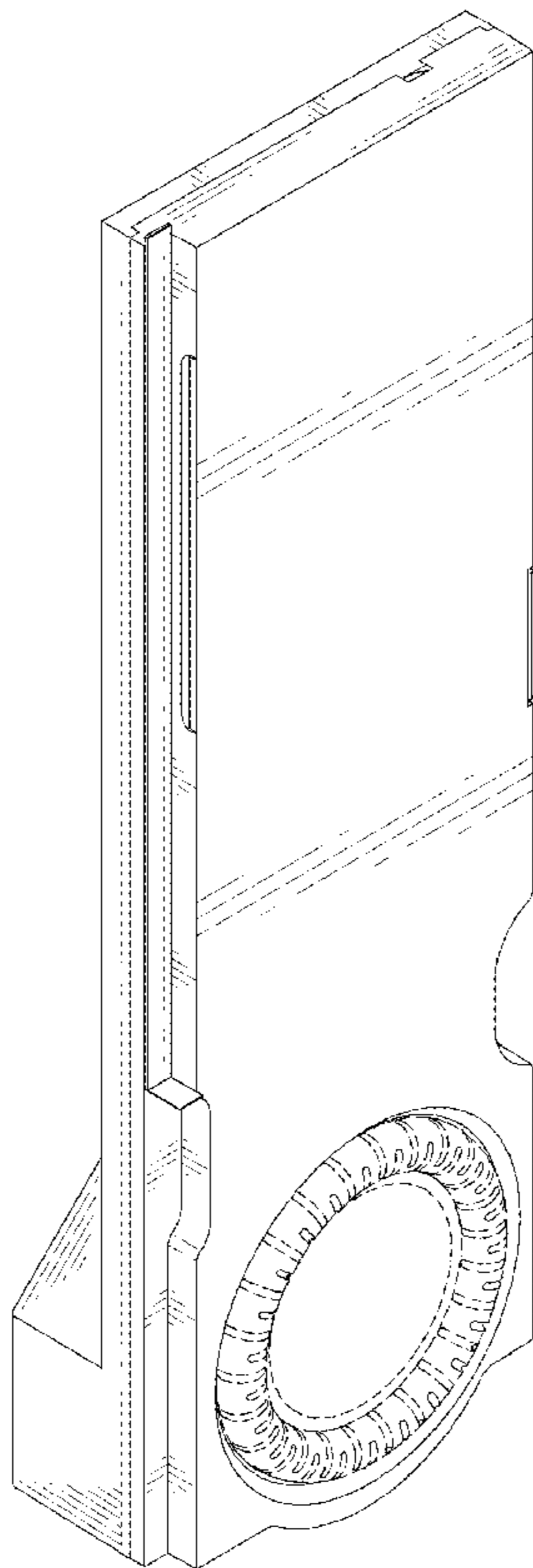
FIG. 5 is a right side elevational view thereof.

FIG. 6 is a top plan view thereof; and,

FIG. 7 is a bottom plan view thereof.

The broken lines in the drawings are employed to illustrate environment structure only and form no part of the claimed design.

**1 Claim, 7 Drawing Sheets**



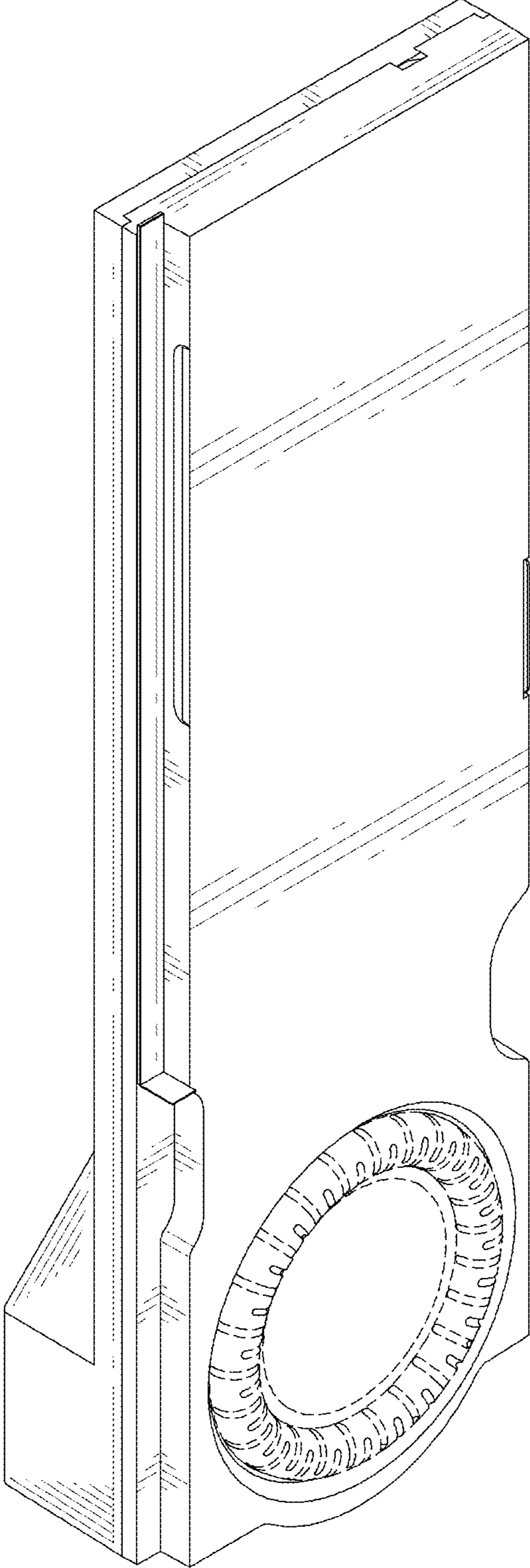


FIG. 1

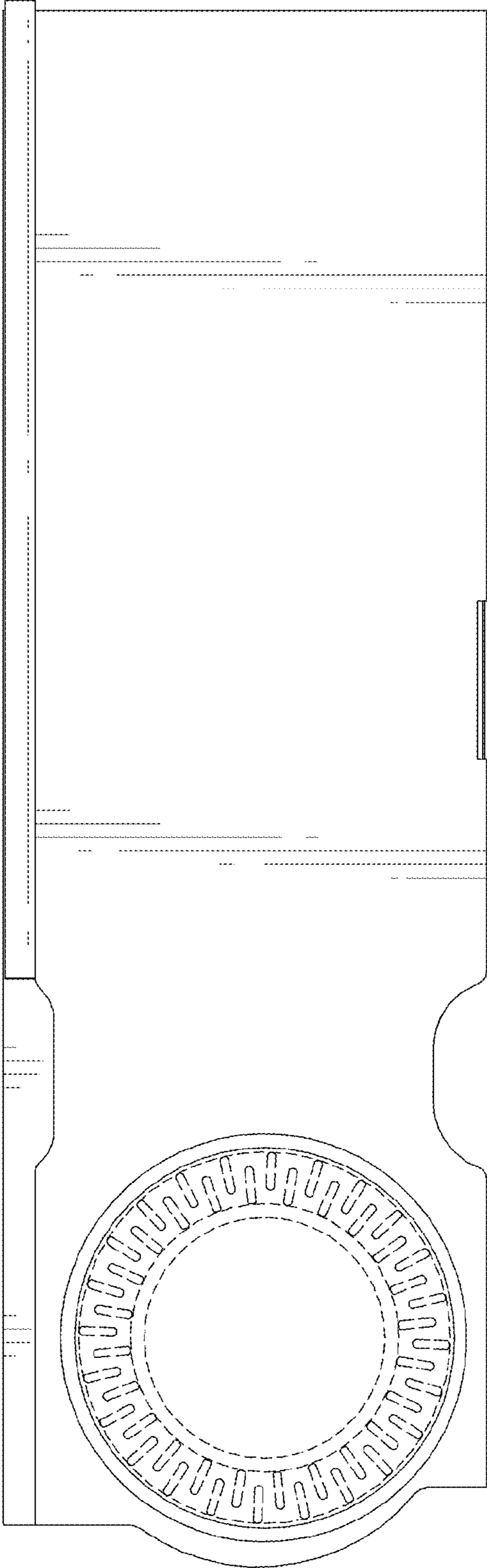


FIG. 2

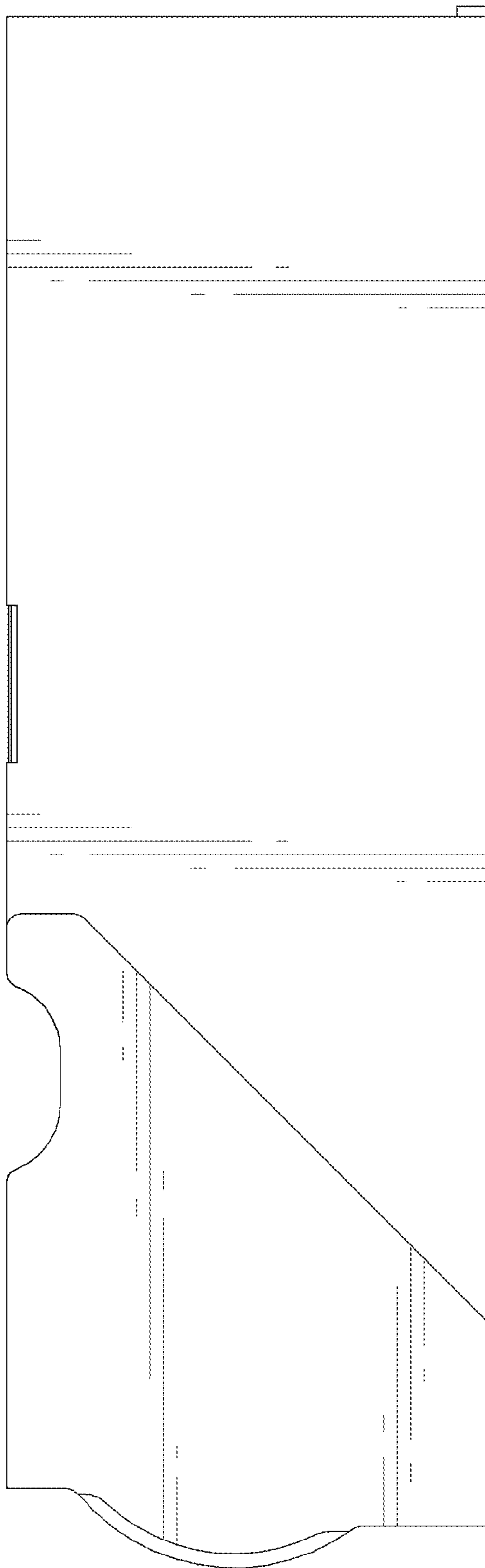


FIG. 3

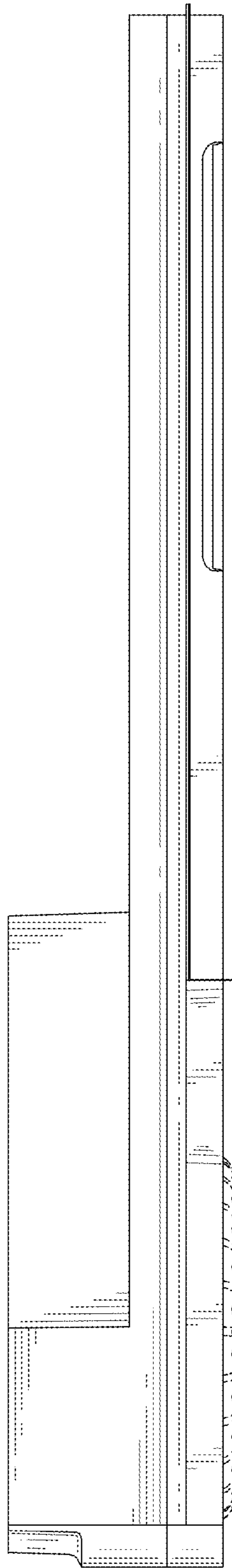


FIG. 4

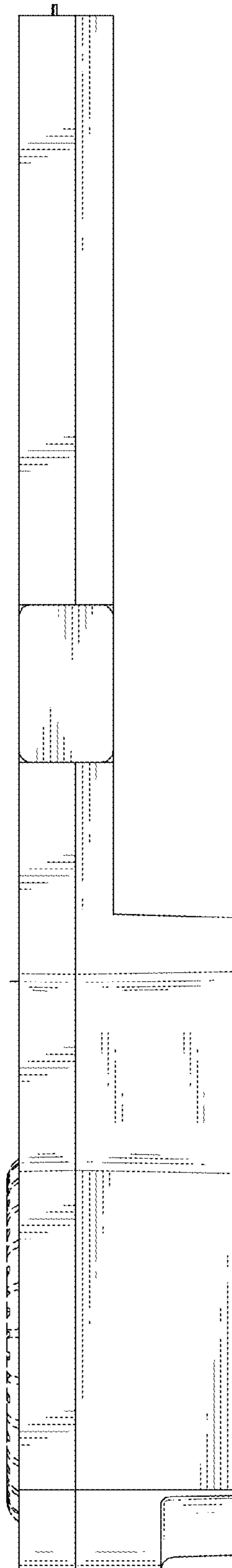


FIG. 5

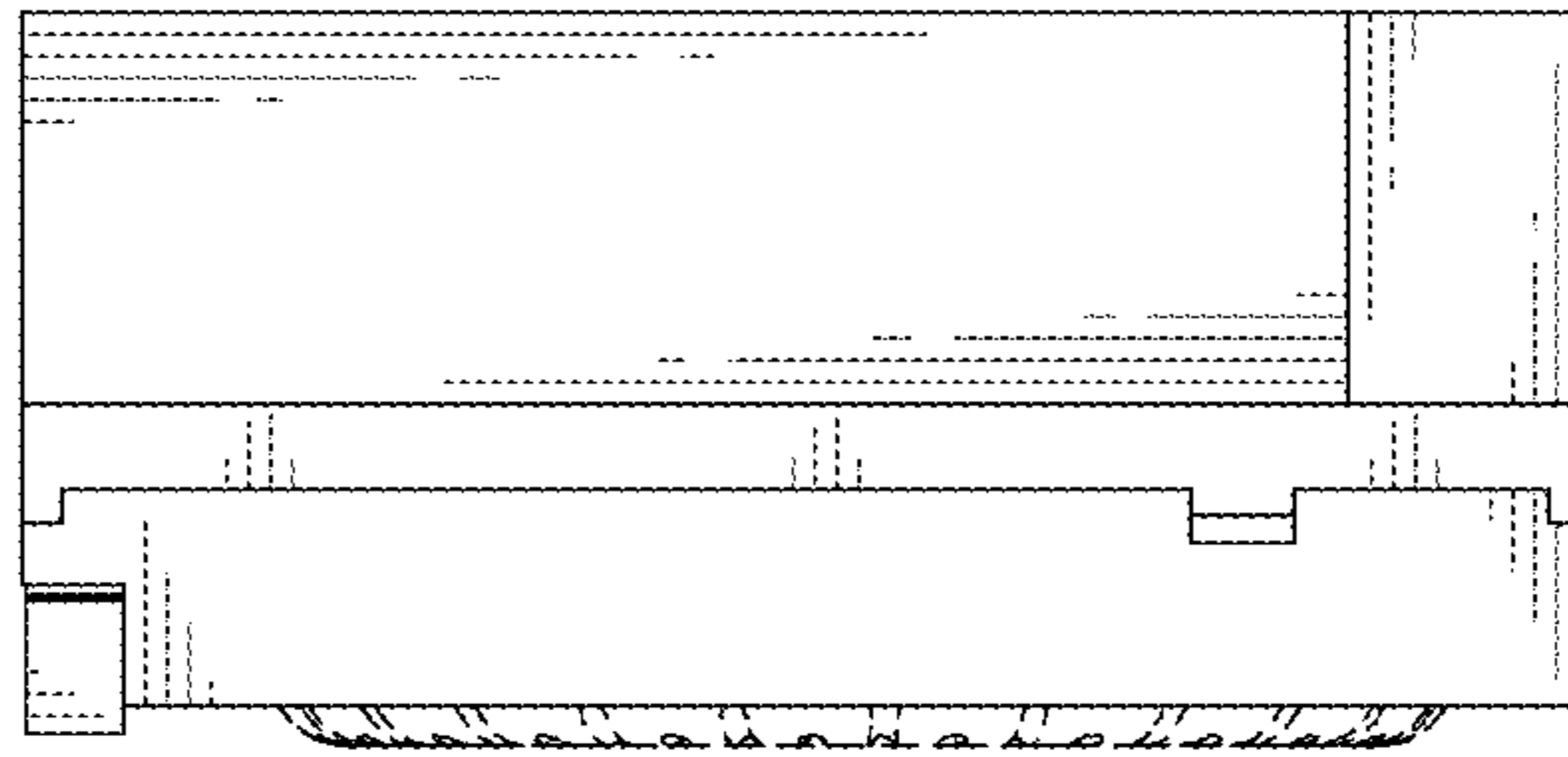


FIG. 6

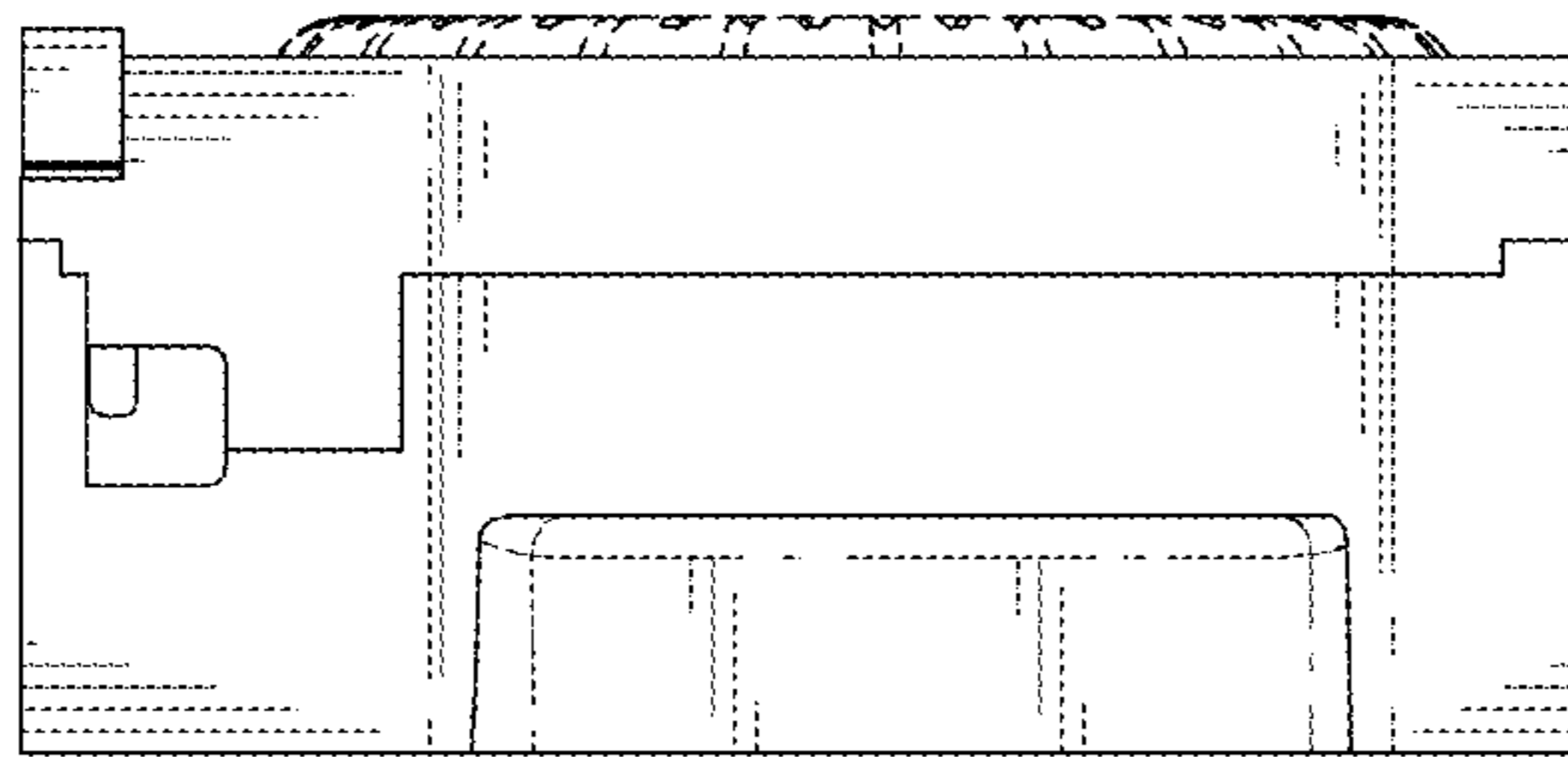


FIG. 7