



US00D689467S

(12) **United States Design Patent**
Maier et al.

(10) **Patent No.:** **US D689,467 S**
(45) **Date of Patent:** **** Sep. 10, 2013**

(54) **REMOTE CONTROL AND BASE STATION COMBINATION**

(75) Inventors: **Ferdinand Maier**, Obertrum am See (AT); **Erwin Weitgasser**, Salzburg (AT)

(73) Assignee: **FM Marketing GmbH**, Obertrum am See (AT)

(**) Term: **14 Years**

(21) Appl. No.: **29/382,194**

(22) Filed: **Dec. 30, 2010**

(30) **Foreign Application Priority Data**

Jun. 30, 2010 (EP) 001726209

(51) **LOC (9) Cl.** **14-03**

(52) **U.S. Cl.**
USPC **D14/218**

(58) **Field of Classification Search**
USPC D14/218, 434; D13/168; D21/566;
D10/104, 106; 345/169; 348/14.05, 114,
348/211.99, 734; 340/825.24; 341/22; 455/92,
455/95, 128, 151.1-151.4, 352, 355, FOR. 121;
700/65

See application file for complete search history.

(56) **References Cited**

U.S. PATENT DOCUMENTS

D557,259	S	*	12/2007	Hirsch	D14/217
D605,178	S	*	12/2009	Maier et al.	D14/218
D619,996	S	*	7/2010	Demskie et al.	D14/218
D629,792	S	*	12/2010	Jones	D14/218
D630,618	S	*	1/2011	Kim et al.	D14/218
D631,469	S	*	1/2011	Demskie et al.	D14/218
D639,277	S	*	6/2011	Alvarado	D14/218
D646,268	S	*	10/2011	DeLorenzo et al.	D14/253
D647,066	S	*	10/2011	Jacoby et al.	D13/168
D649,551	S	*	11/2011	Hwang et al.	D14/434
D650,353	S	*	12/2011	Madonna et al.	D14/141.1

* cited by examiner

Primary Examiner — John Windmuller

(74) *Attorney, Agent, or Firm* — Senniger Powers LLP

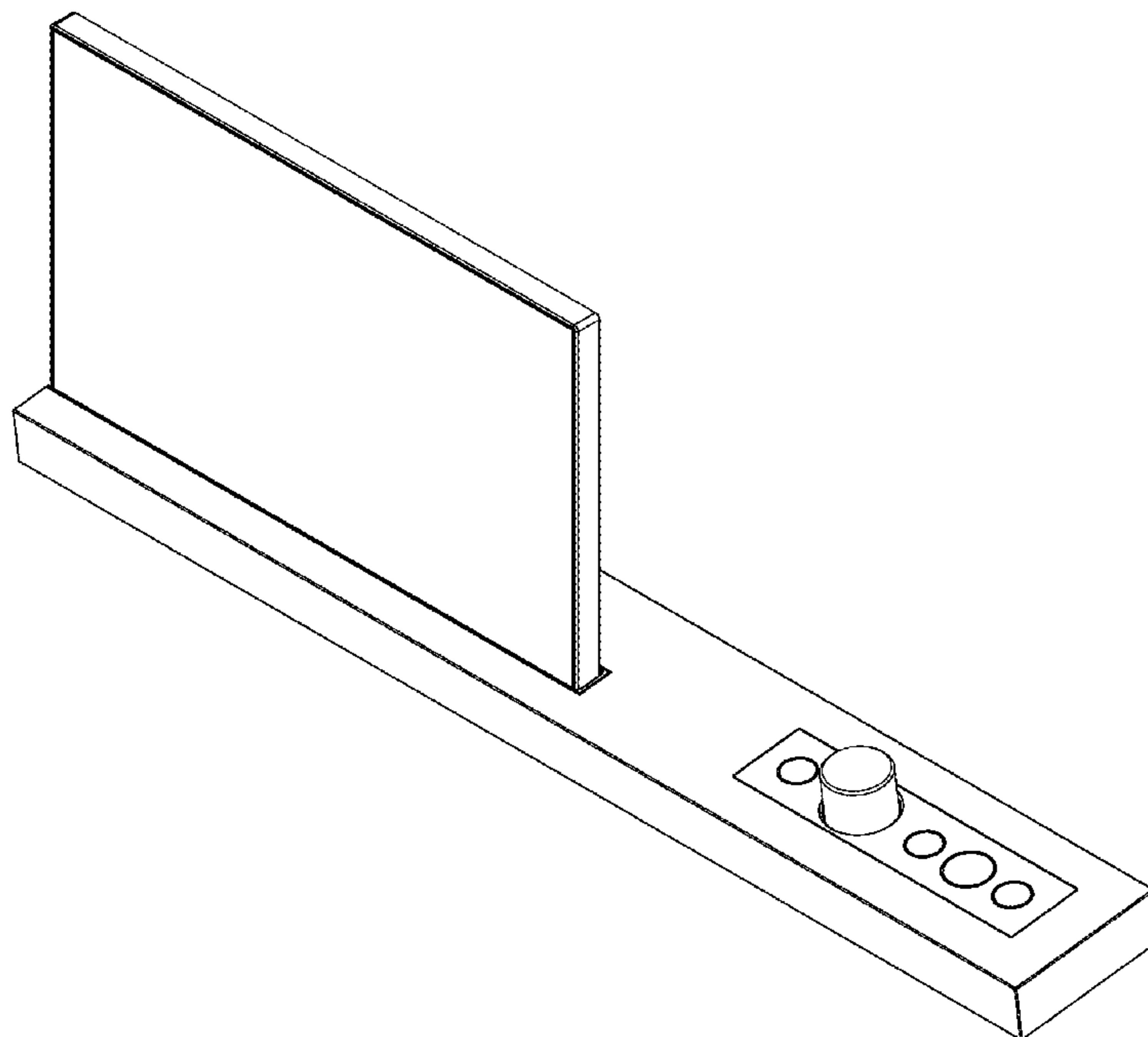
(57) **CLAIM**

The ornamental design for a remote control and base station combination, as shown and described.

DESCRIPTION

FIG. 1 is a perspective view of a remote control and base station combination of the present invention;
FIG. 2 is a front elevation;
FIG. 3 is a left side elevation shown in a larger scale than the other figures;
FIG. 4 is a top view;
FIG. 5 is a rear elevation;
FIG. 6 is a right side elevation; and,
FIG. 7 is a bottom view.
The broken lines in FIG. 3 depict a portion of the base station which is not part of the claimed design.

1 Claim, 7 Drawing Sheets



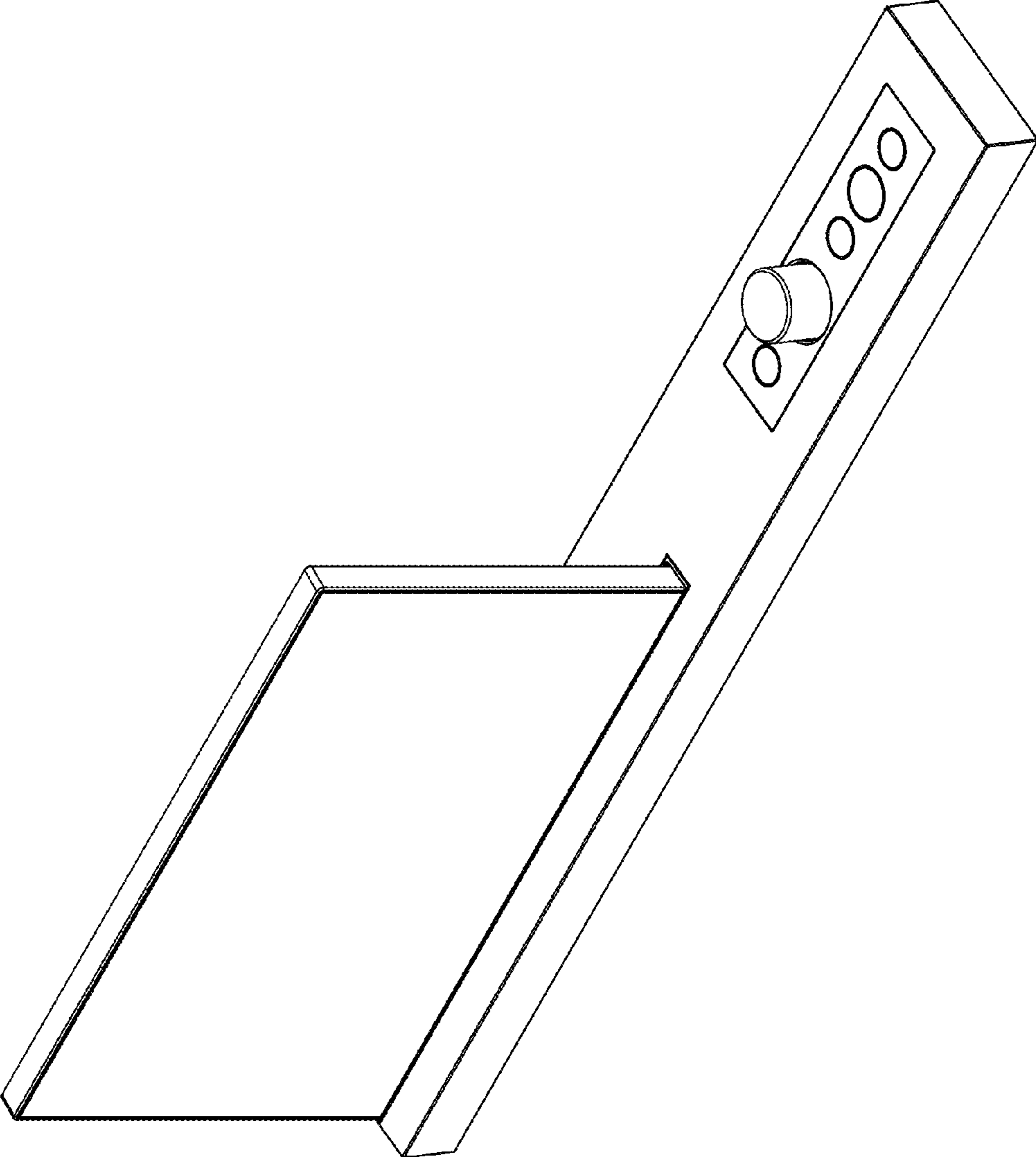


FIG. 1

FIG. 2

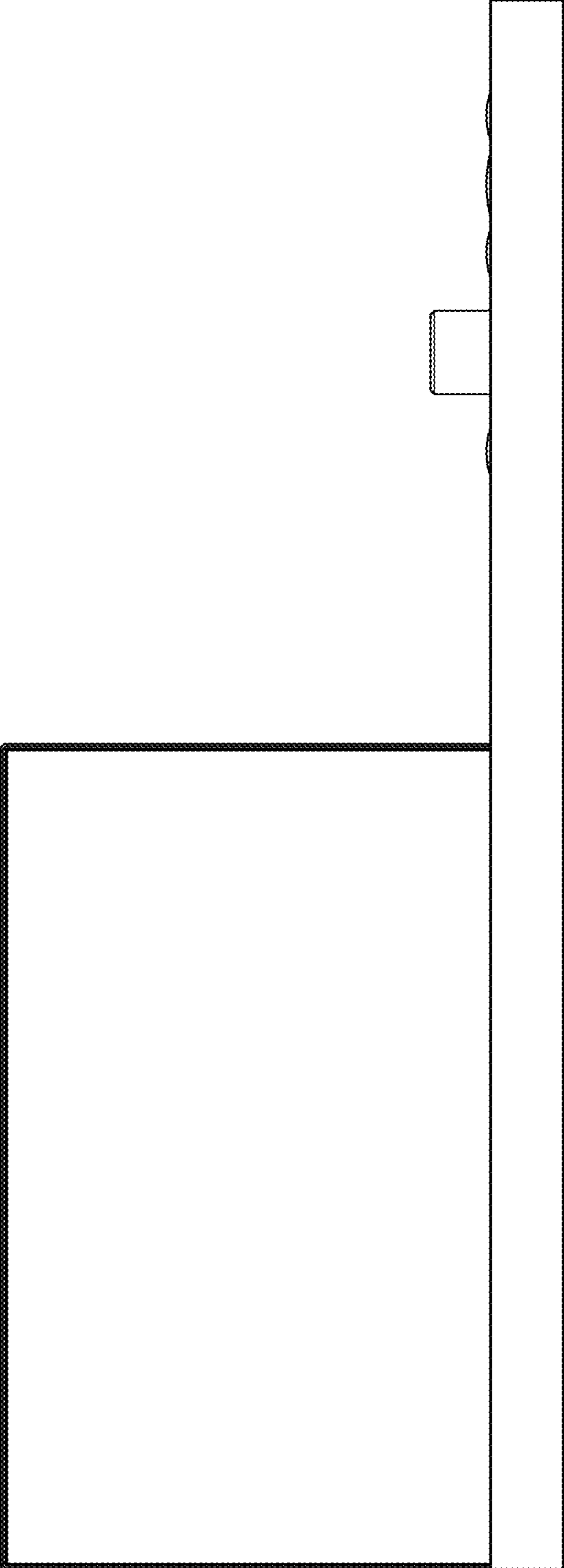


FIG. 3

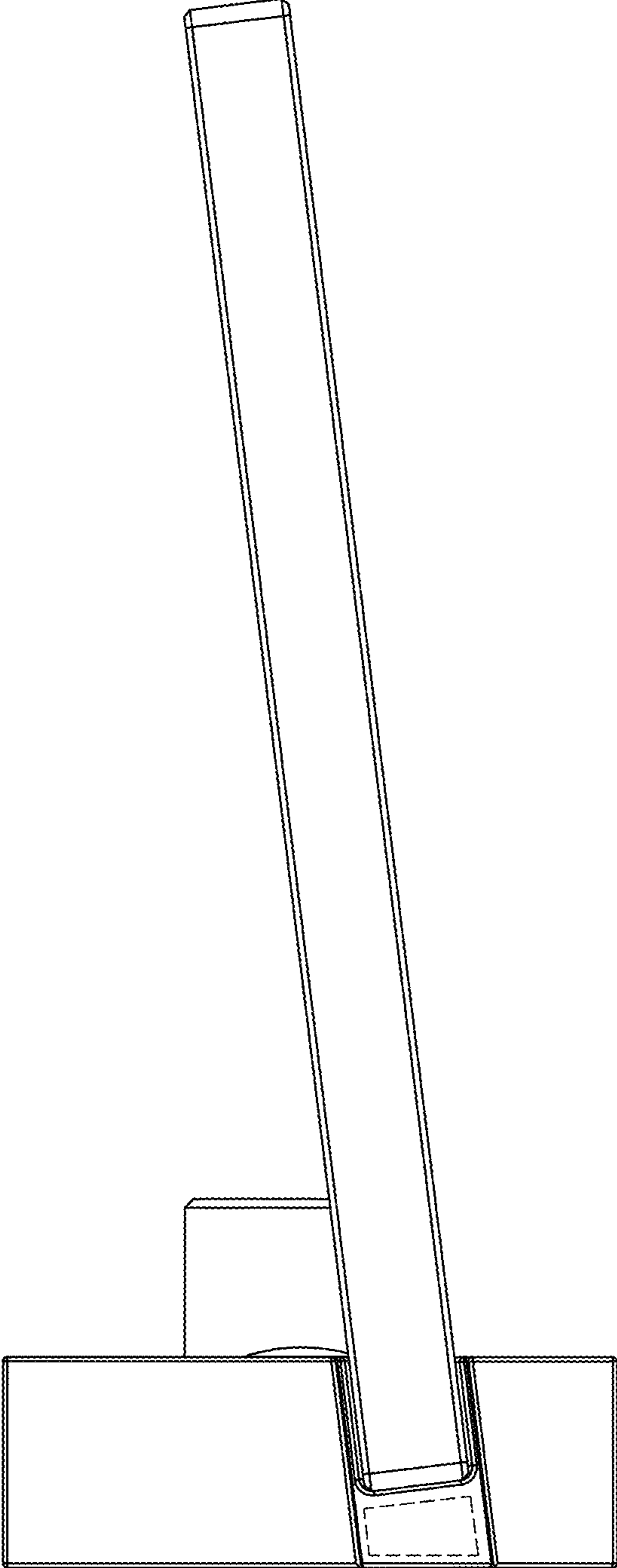


FIG. 4

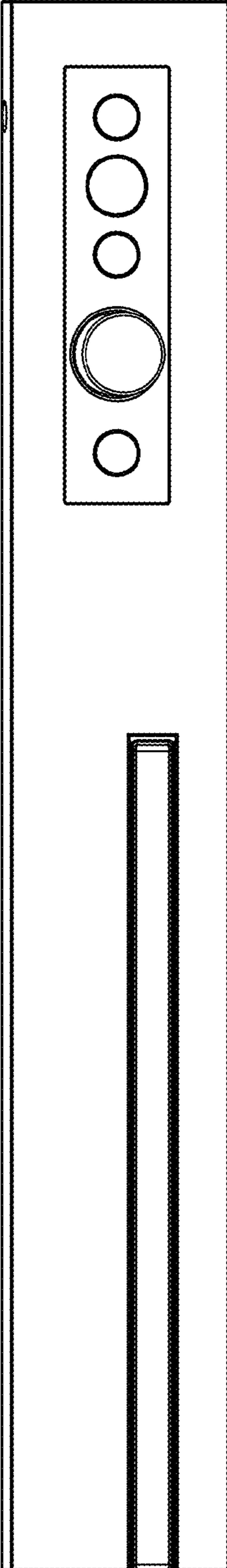


FIG. 5

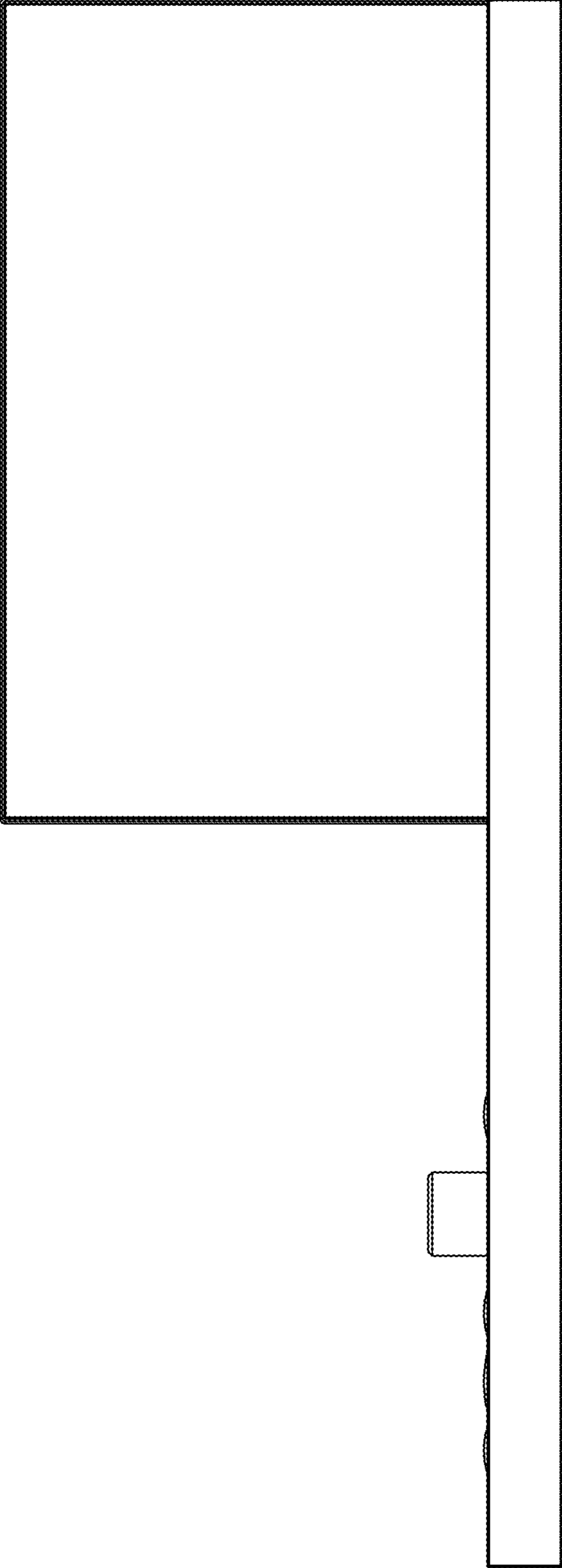


FIG. 6

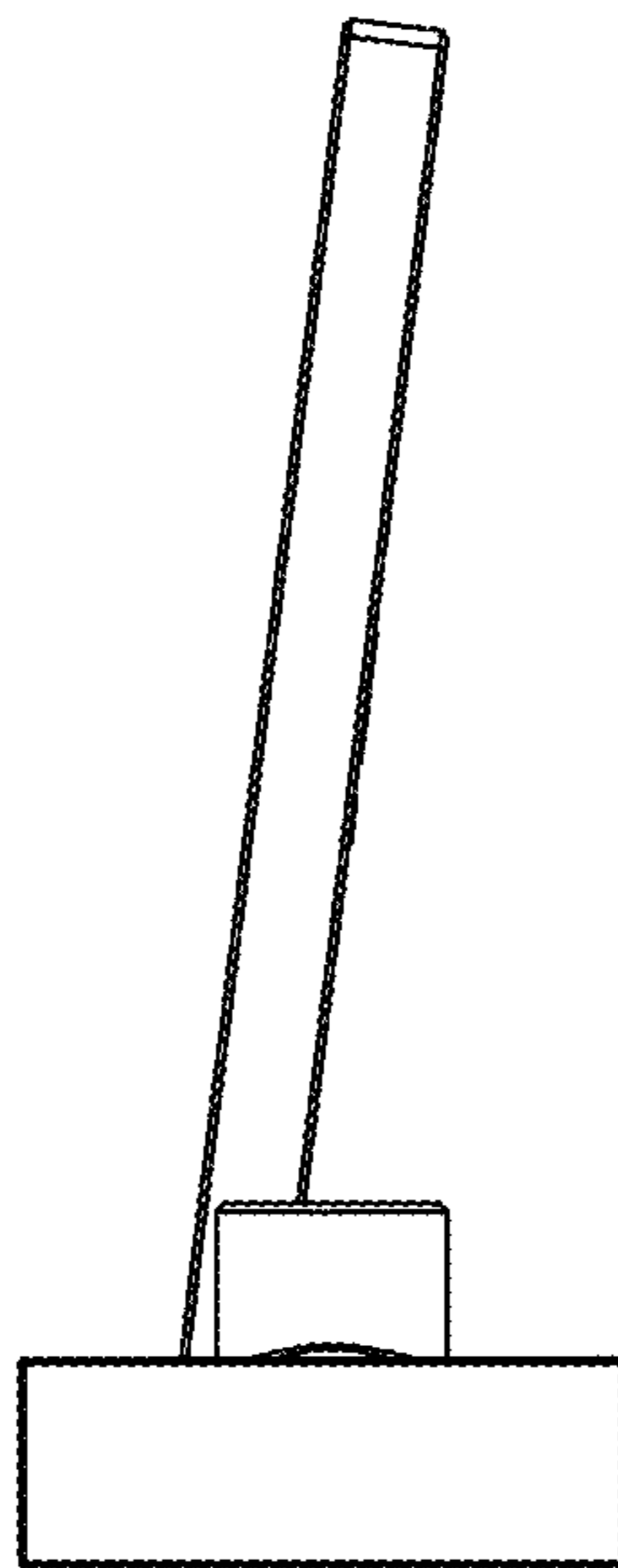


FIG. 7

