



US00D689466S

(12) **United States Design Patent**
Hampf

(10) **Patent No.:** **US D689,466 S**

(45) **Date of Patent:** **** Sep. 10, 2013**

(54) **DOCKING STATION FOR A VEHICLE**

(75) Inventor: **Holger Hampf**, München (DE)

(73) Assignee: **Continental Automotive GmbH**,
Hannover (DE)

(**) Term: **14 Years**

(21) Appl. No.: **29/415,797**

(22) Filed: **Mar. 14, 2012**

(51) **LOC (9) Cl.** **14-03**

(52) **U.S. Cl.**
USPC **D14/217; D14/157; D14/258**

(58) **Field of Classification Search**
USPC D14/142, 149, 155, 157, 188, 191-193,
D14/203.1-203.8, 217, 238.1, 251, 253, 257,
D14/258, 432-435.1, 447, 451, 474, 480.1-480.7,
D14/496; D13/107, 108, 118; D3/218;
248/221.11, 309.1; 320/107, 110, 113-115;
361/600; 439/529, 534; 455/556.1-556.2,
455/557; D12/415

See application file for complete search history.

(56) **References Cited**

U.S. PATENT DOCUMENTS

D301,883 S * 6/1989 Kroplopp et al. D14/142
D321,885 S * 11/1991 Shel Drake D14/253
D361,335 S * 8/1995 Rudkiewicz et al. D14/253

5,788,202 A * 8/1998 Richter 248/316.4
D452,859 S * 1/2002 Le Thellec D14/258
D471,187 S * 3/2003 Song D14/253
D499,092 S * 11/2004 Fan D14/253
D500,319 S * 12/2004 Wada D14/401
D532,007 S * 11/2006 Park D14/258
7,580,728 B2 * 8/2009 Vance et al. 455/556.1
D599,789 S * 9/2009 Shimizu D14/257
D654,054 S * 2/2012 Kohte et al. D14/217
D656,933 S * 4/2012 Samuel et al. D14/258
D666,615 S * 9/2012 Samuel et al. D14/258

* cited by examiner

Primary Examiner — Keli L Hill

(74) *Attorney, Agent, or Firm* — Cozen O'Connor

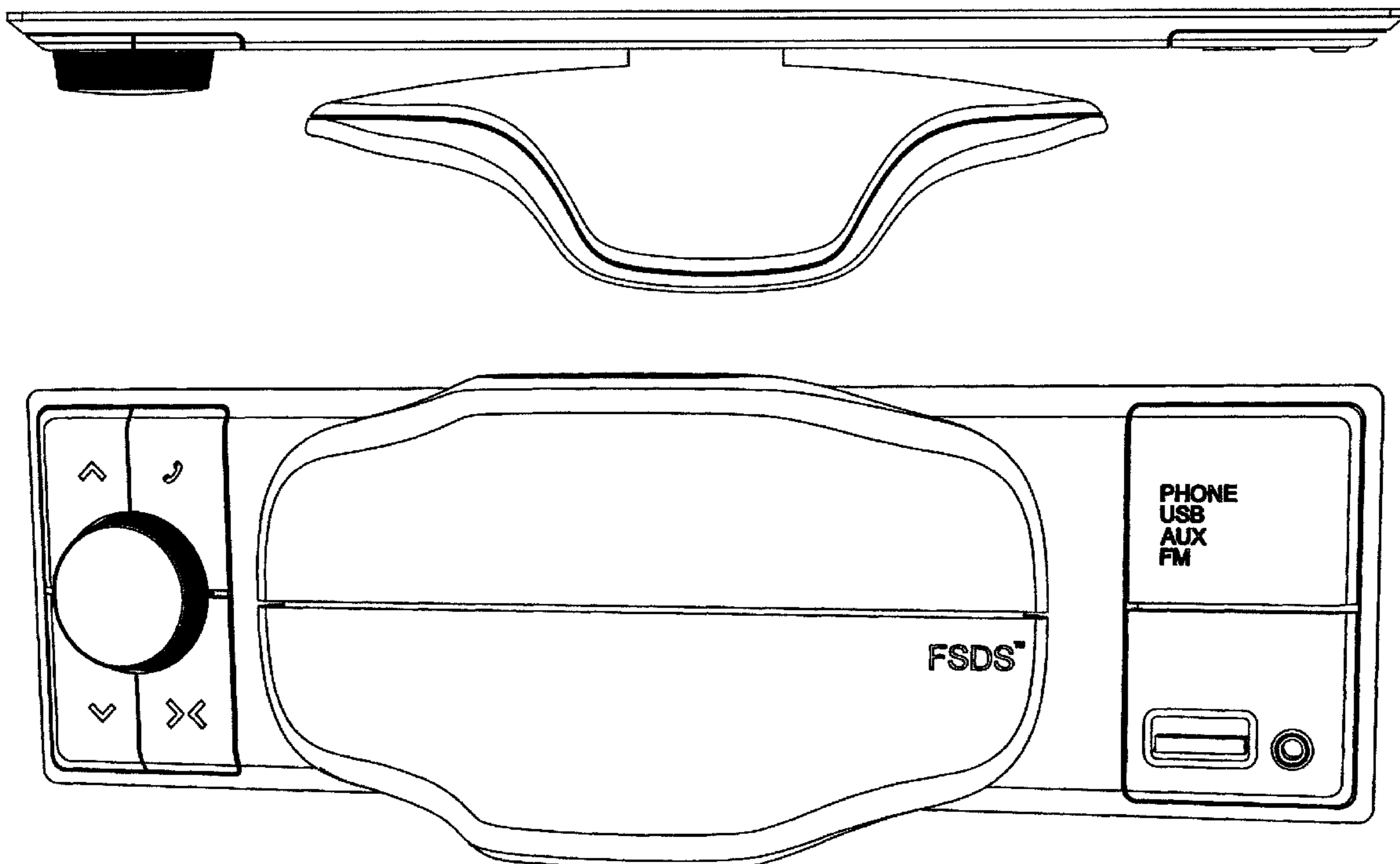
(57) **CLAIM**

The ornamental design for docking station for a vehicle, as shown and described.

DESCRIPTION

FIG. 1 is a front elevational view of a docking station showing my new design;
FIG. 2 is a rear elevational view thereof;
FIG. 3 is a top plan view thereof;
FIG. 4 is a bottom plan view thereof;
FIG. 5 is a right-side elevation view thereof;
FIG. 6 is left-side elevation view thereof; and,
FIG. 7 is a front perspective view.

1 Claim, 7 Drawing Sheets



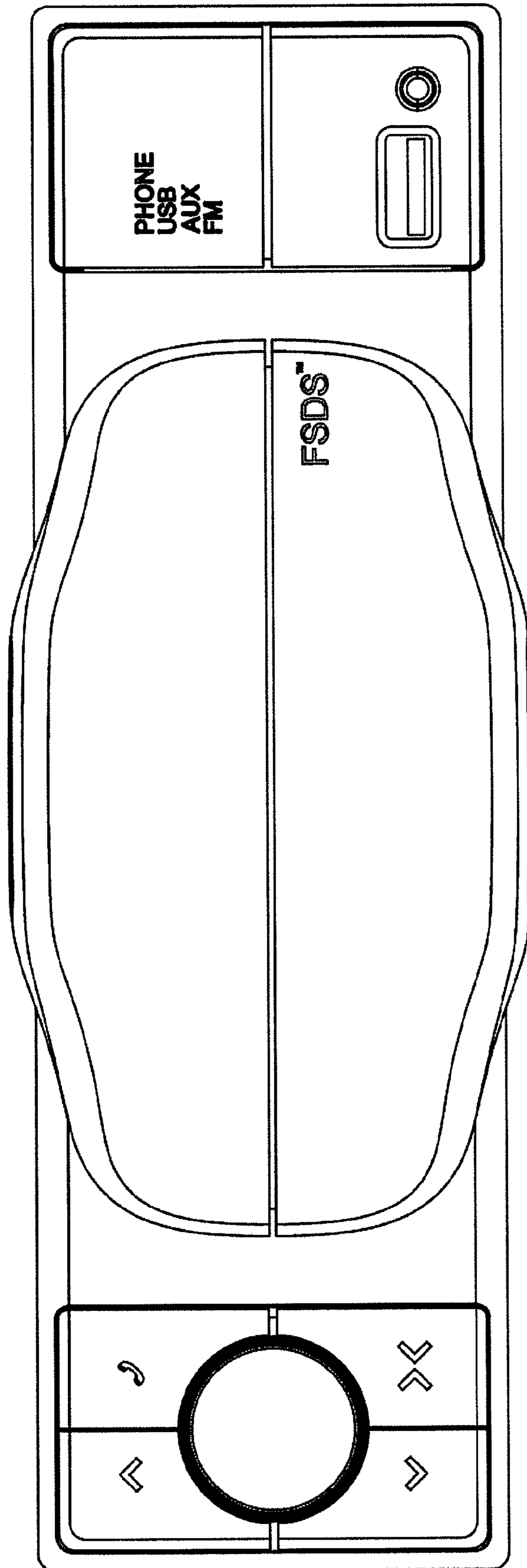


Figure 1

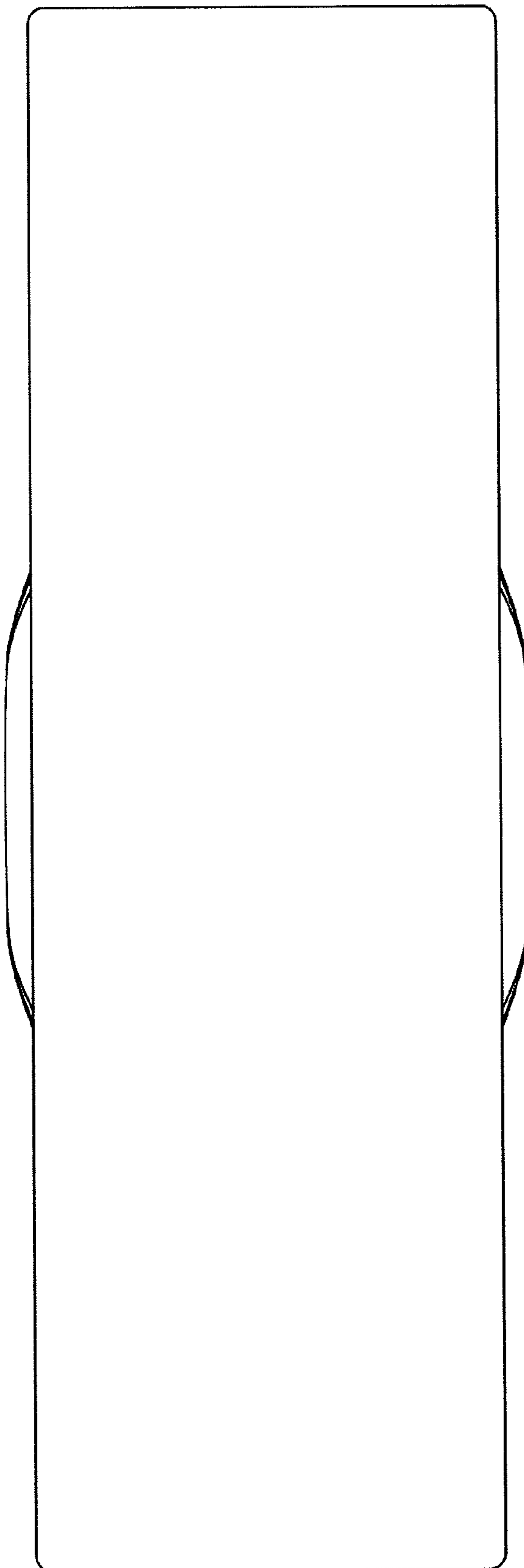


Figure 2

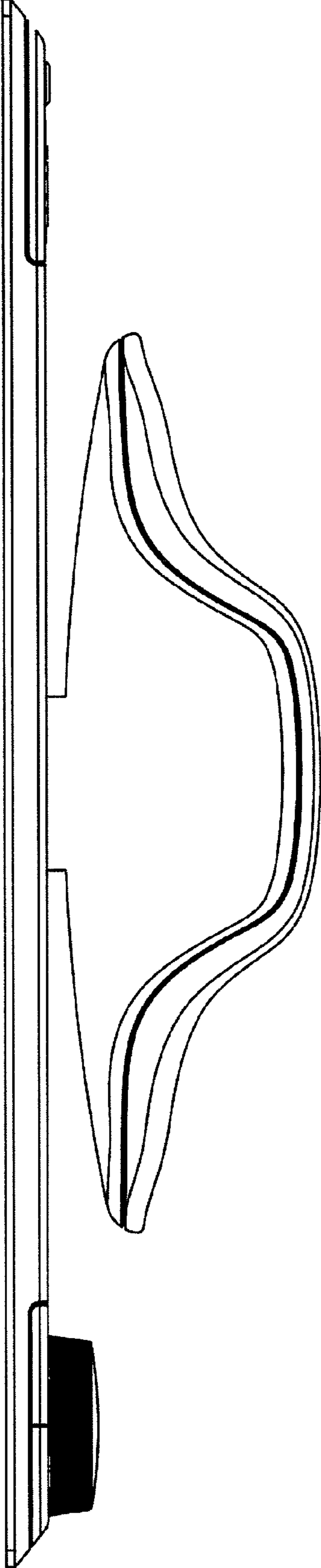


Figure 3

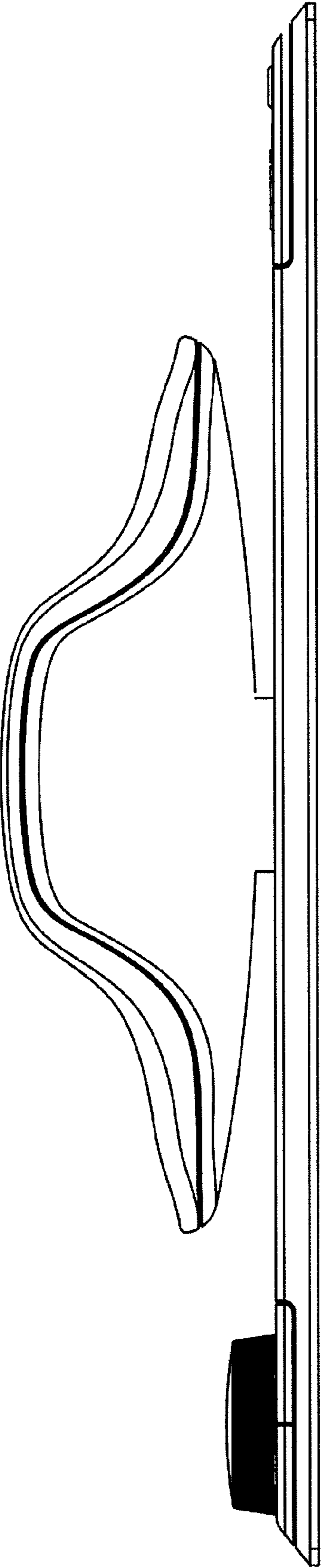


Figure 4

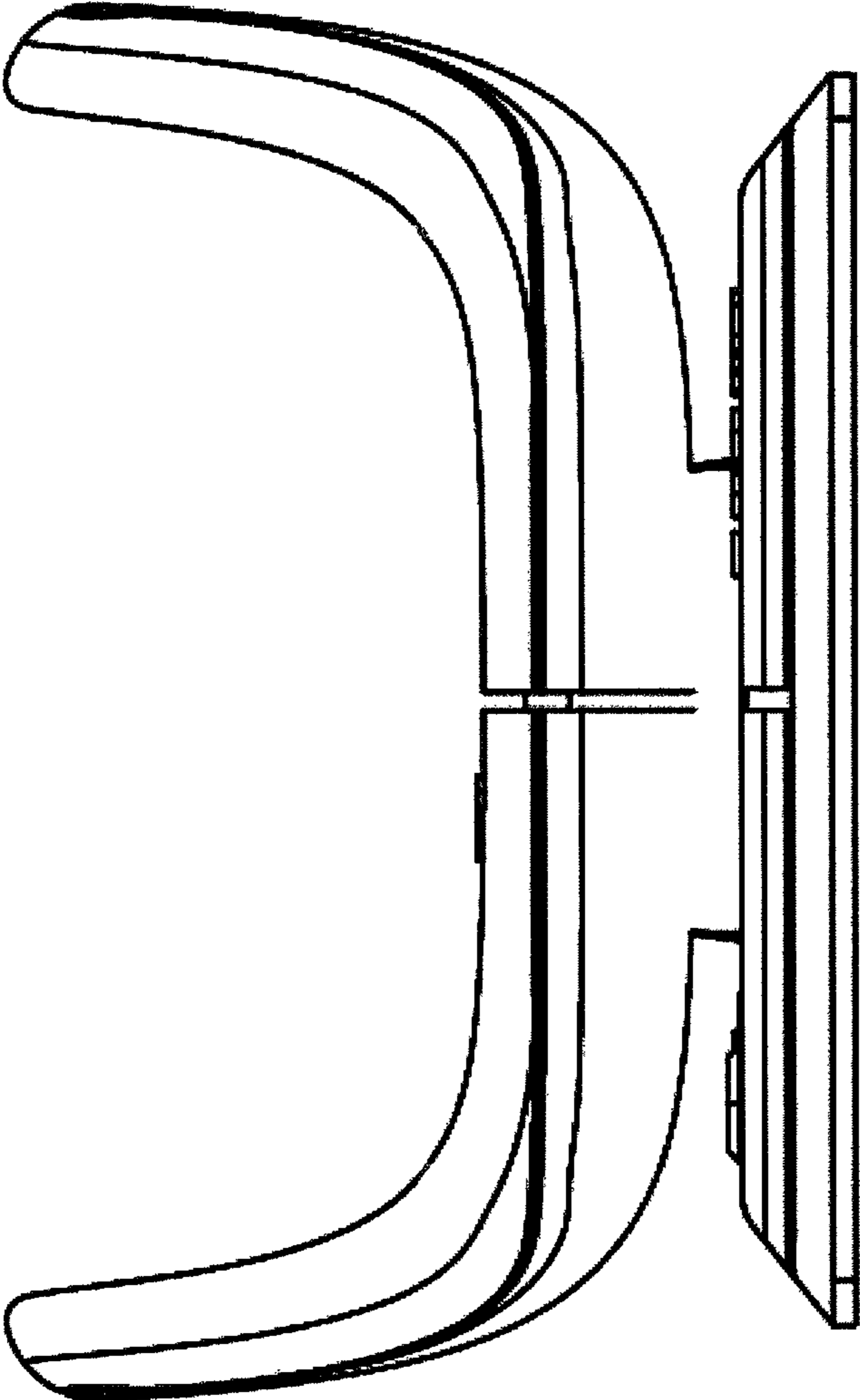
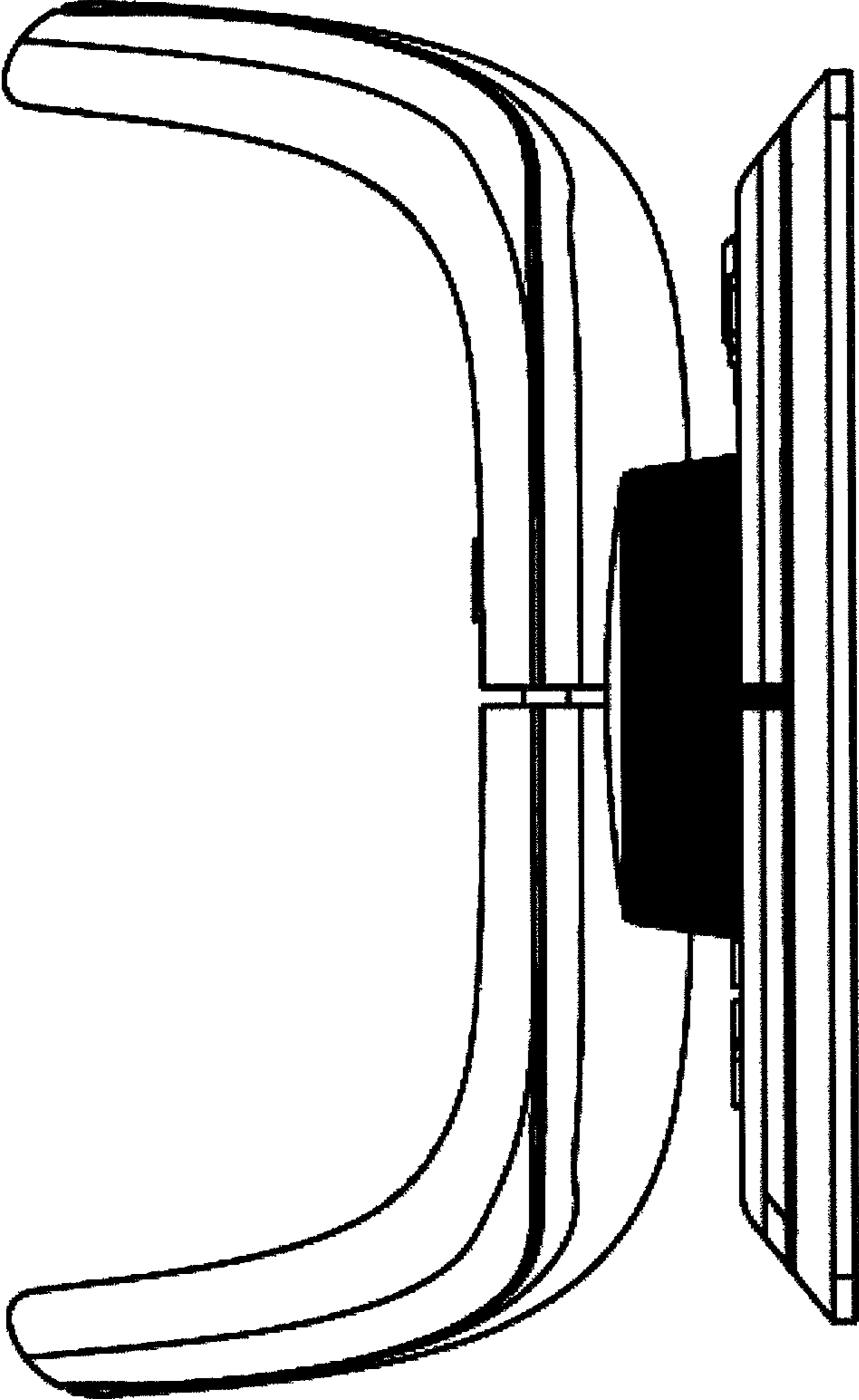


Figure 5

Figure 6



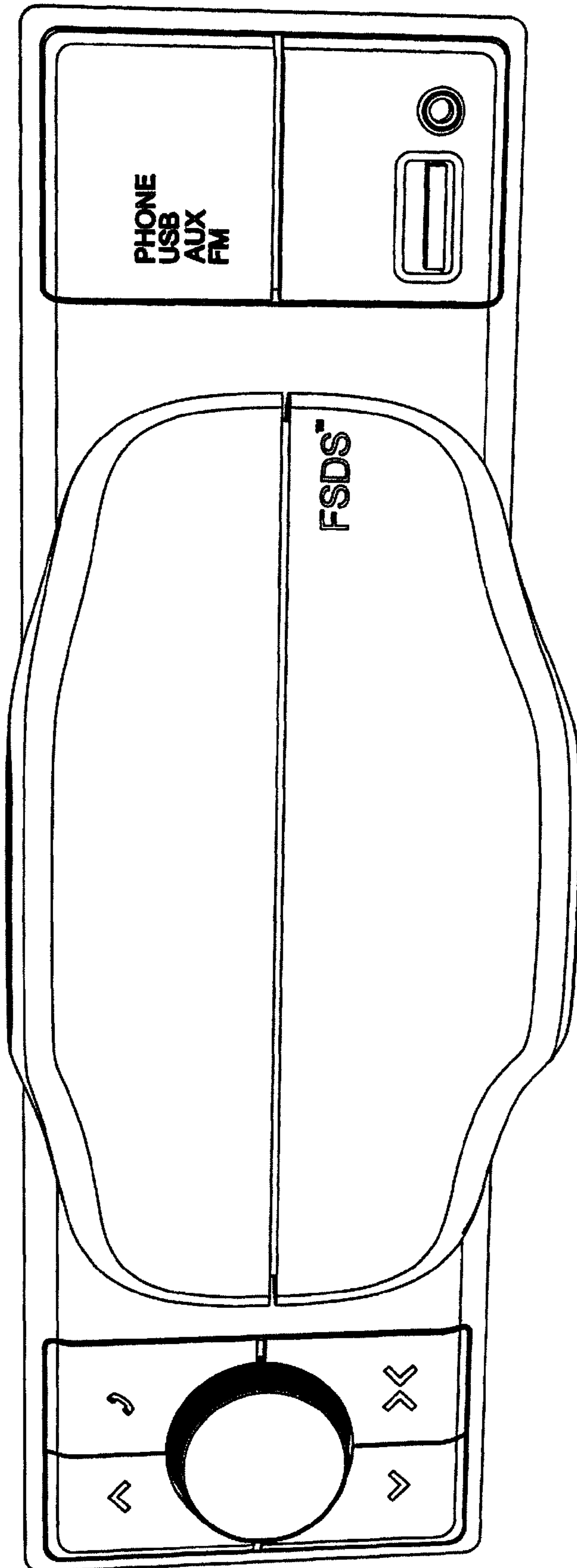


Figure 7