



US00D689464S

(12) **United States Design Patent**  
**Bonahoom et al.**

(10) **Patent No.:** **US D689,464 S**

(45) **Date of Patent:** **\*\* Sep. 10, 2013**

(54) **HEADSET**

(75) Inventors: **Rhys C Bonahoom**, Hillsborough, CA (US); **Nathaniel G Cervantes**, San Francisco, CA (US); **Adam Barry**, San Francisco, CA (US)

(73) Assignee: **Skullcandy, Inc.**, Park City, UT (US)

(\*\*) Term: **14 Years**

(21) Appl. No.: **29/430,211**

(22) Filed: **Aug. 22, 2012**

(51) **LOC (9) Cl.** ..... **14-01**

(52) **U.S. Cl.**  
USPC ..... **D14/206**

(58) **Field of Classification Search**  
USPC ..... D14/205, 206, 225, 226, 227, 228;  
181/129, 130, 135; 379/430, 431; D29/112;  
2/209; 381/380, 381, 370, 371, 374, 375,  
381/378, 379, 383; 455/90.3  
See application file for complete search history.

(56) **References Cited**

U.S. PATENT DOCUMENTS

D352,036 S *	11/1994	Sekita	.....	D14/192
D406,140 S *	2/1999	Hall et al.	.....	D14/205
D422,592 S *	4/2000	Deguchi	.....	D14/205
D504,419 S *	4/2005	Bey et al.	.....	D14/223
D518,479 S *	4/2006	Skulley	.....	D14/225
D539,788 S *	4/2007	Thompson et al.	.....	D14/225

D540,303 S *	4/2007	Rausch et al.	.....	D14/205
D541,256 S *	4/2007	Rausch et al.	.....	D14/205
D542,774 S *	5/2007	Rausch et al.	.....	D14/206
D589,492 S *	3/2009	Mistry	.....	D14/205
D638,397 S *	5/2011	McManigal	.....	D14/205
D652,017 S *	1/2012	Groves et al.	.....	D14/206
D654,472 S *	2/2012	Fischer	.....	D14/206
8,139,807 B2 *	3/2012	Reiss et al.	.....	381/375
8,335,335 B2 *	12/2012	Reiss et al.	.....	381/375

\* cited by examiner

*Primary Examiner* — Paula Greene

(74) *Attorney, Agent, or Firm* — TraskBritt, P.C.

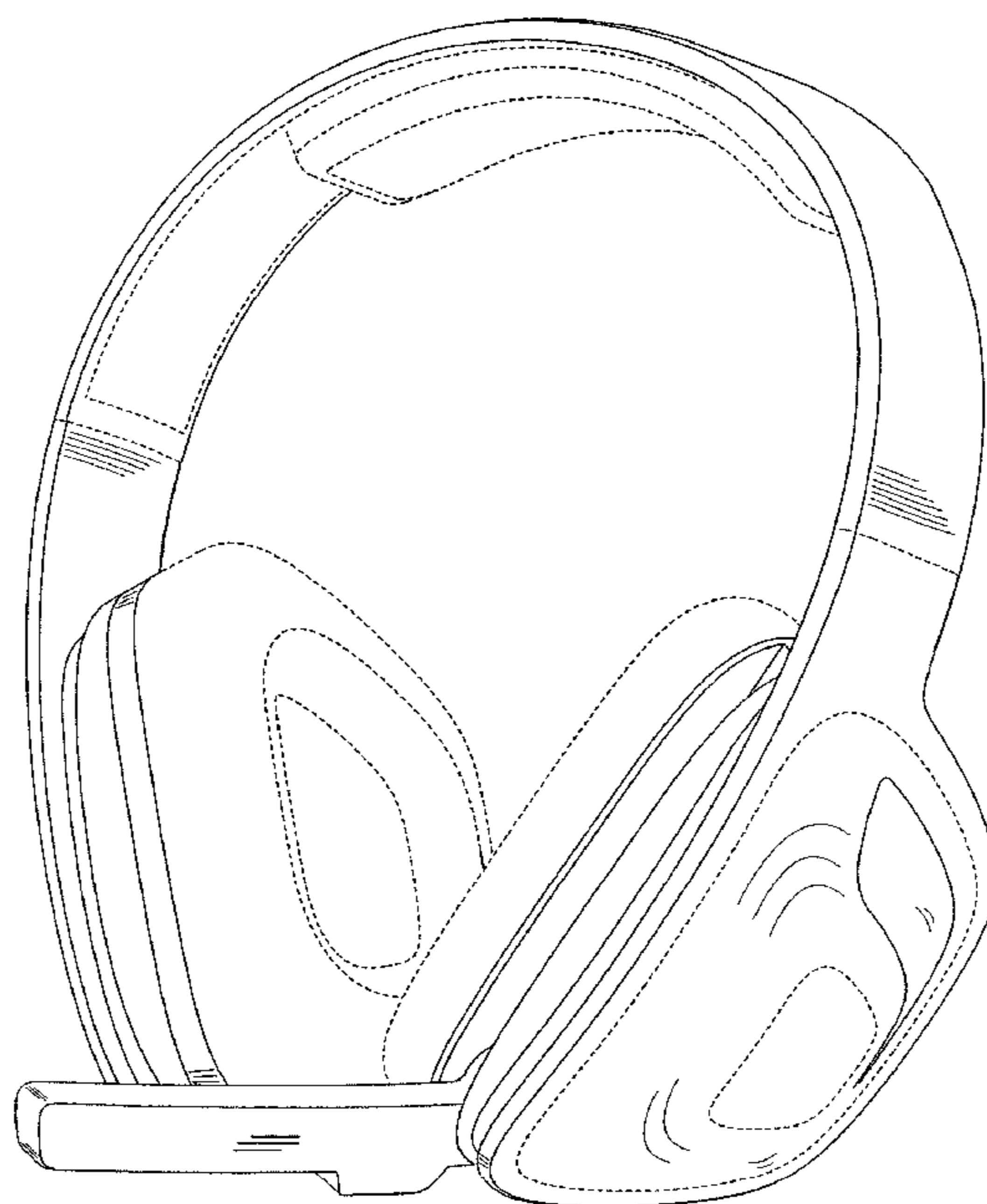
(57) **CLAIM**

The ornamental design for a headset, as shown and described.

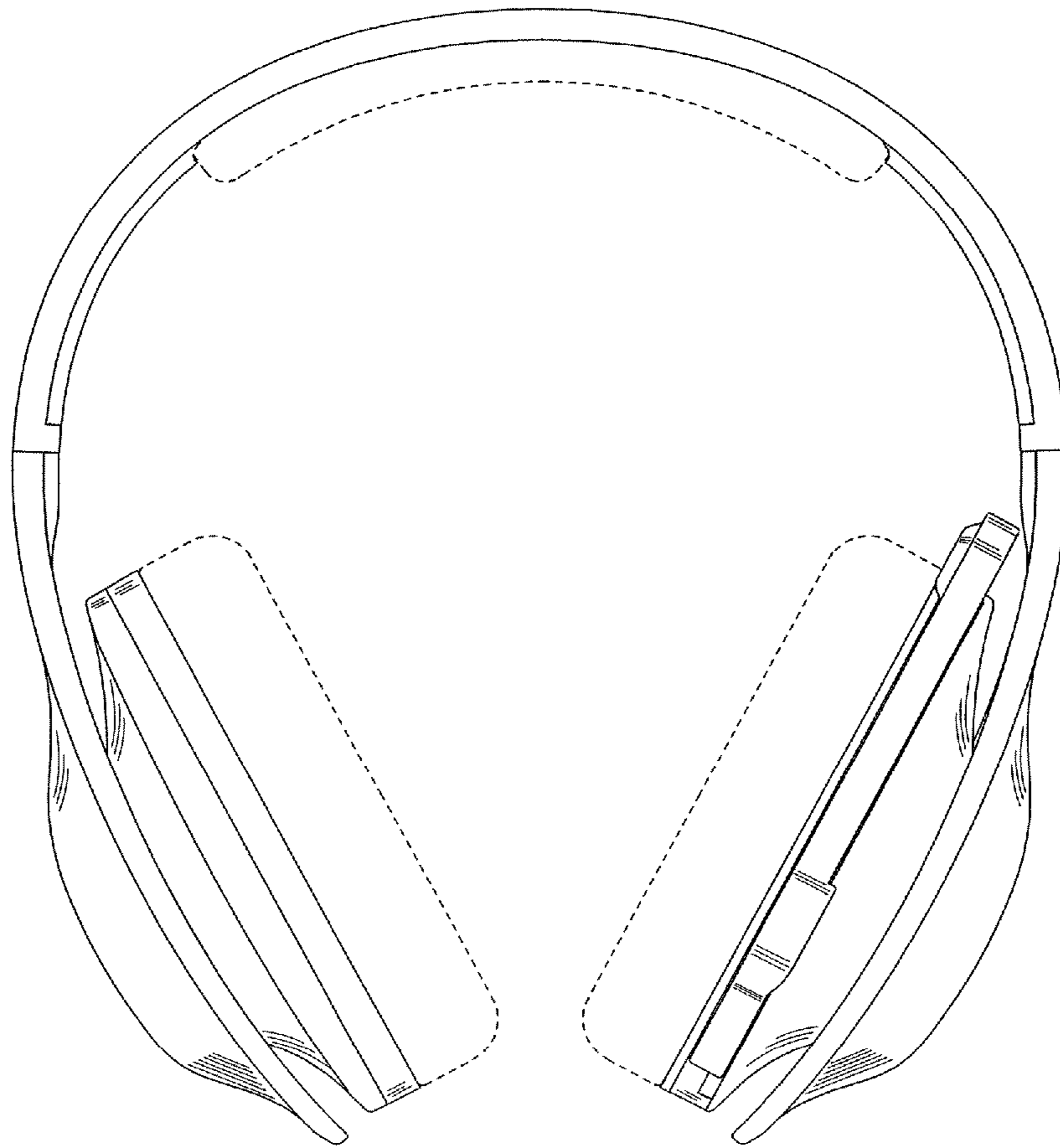
**DESCRIPTION**

FIG. 1 is a front view of an embodiment of a headset; FIG. 2 is a rear view of the headset shown in FIG. 1; FIG. 3 is a right side view of the headset shown in FIG. 1; FIG. 4 is a left side view of the headset shown in FIG. 1; FIG. 5 is a top view of the headset shown in FIG. 1; FIG. 6 is a bottom view of the headset shown in FIG. 1; FIG. 7 is a perspective view of the headset shown in FIG. 1; and, FIG. 8 is a perspective view of the headset shown in FIG. 1 illustrating a microphone in an extended position. The broken lines in FIGS. 1-8 are for environmental purposes only and do not form any part of the claimed design.

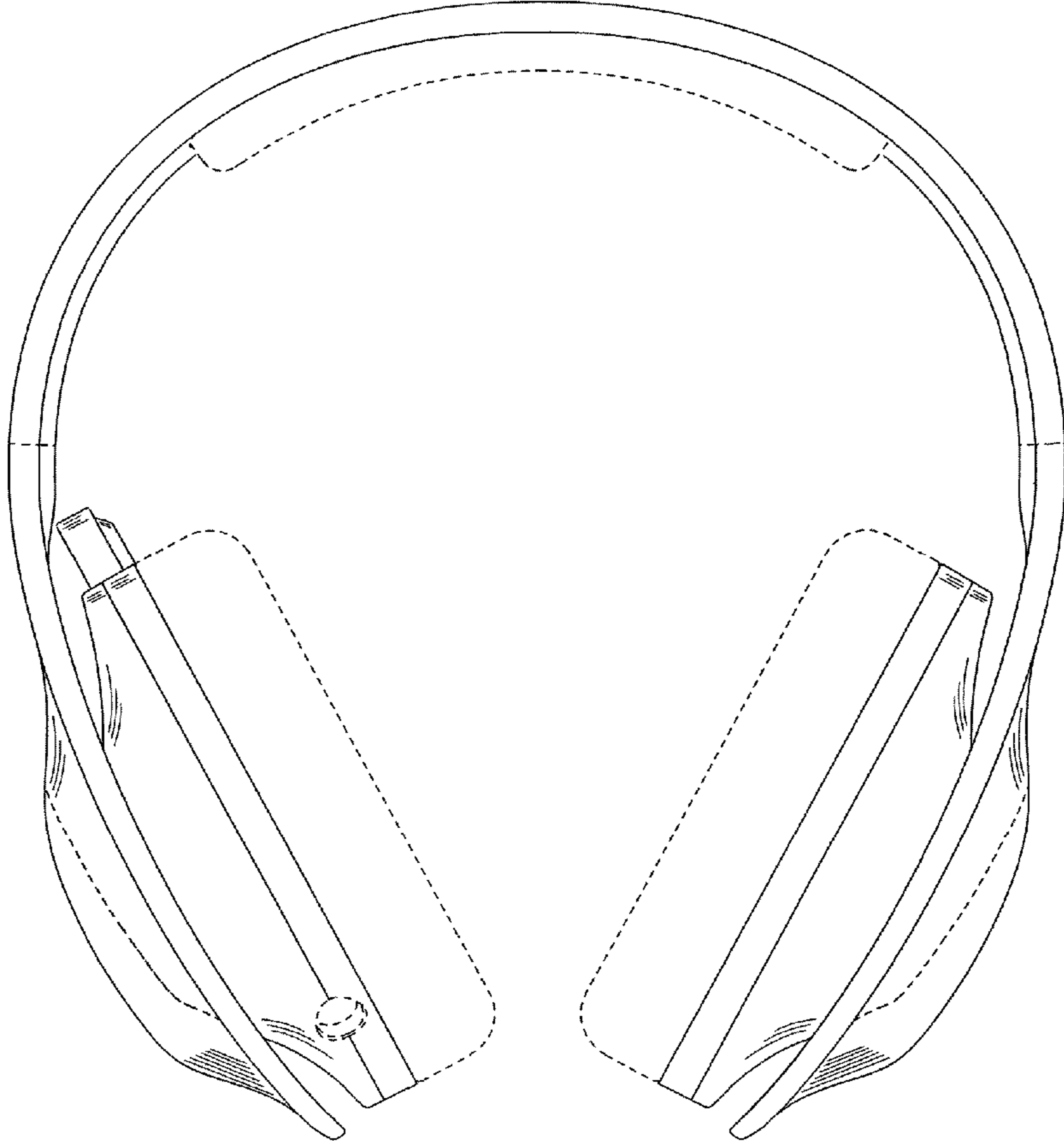
**1 Claim, 8 Drawing Sheets**



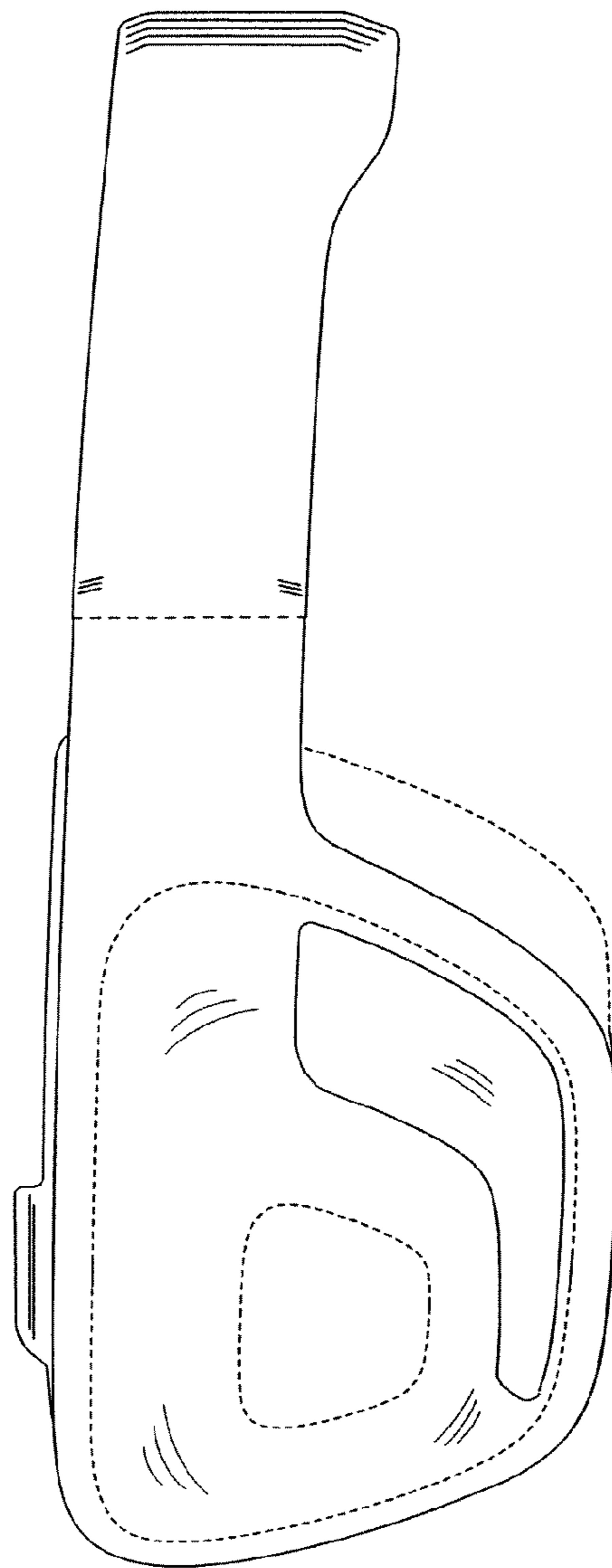
**FIGURE 1**



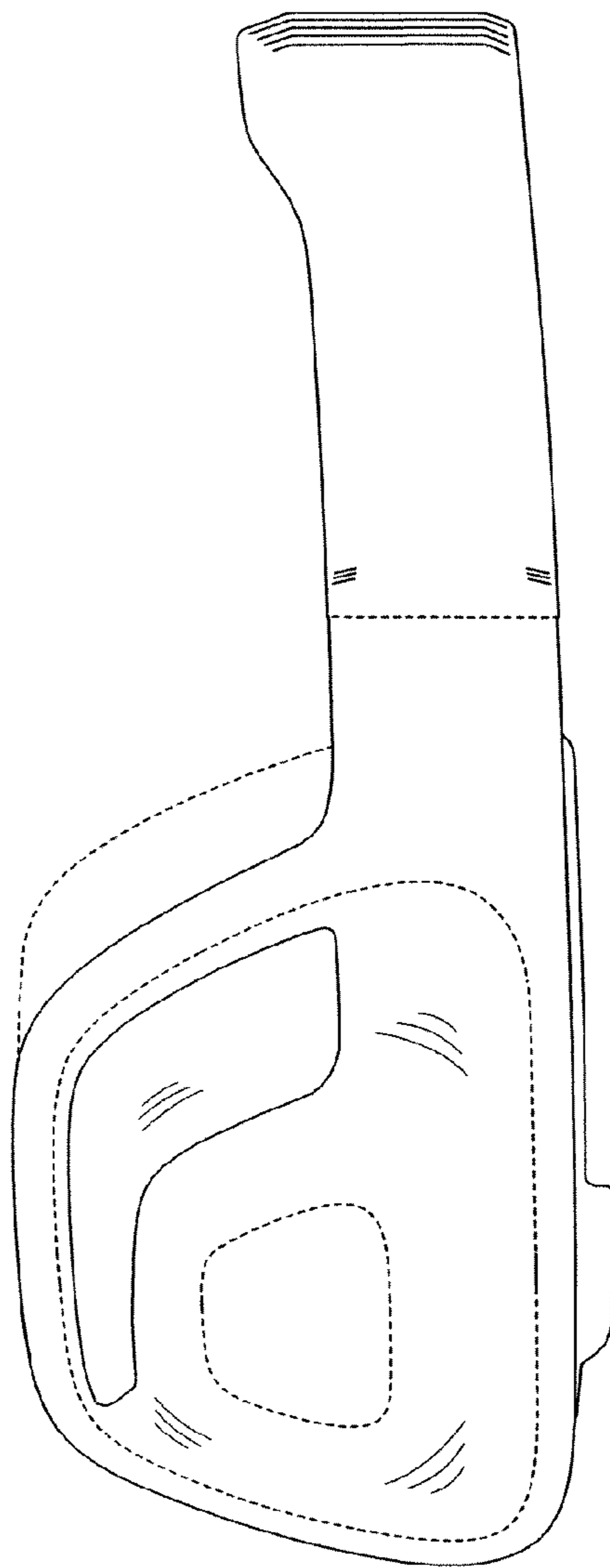
**FIGURE 2**



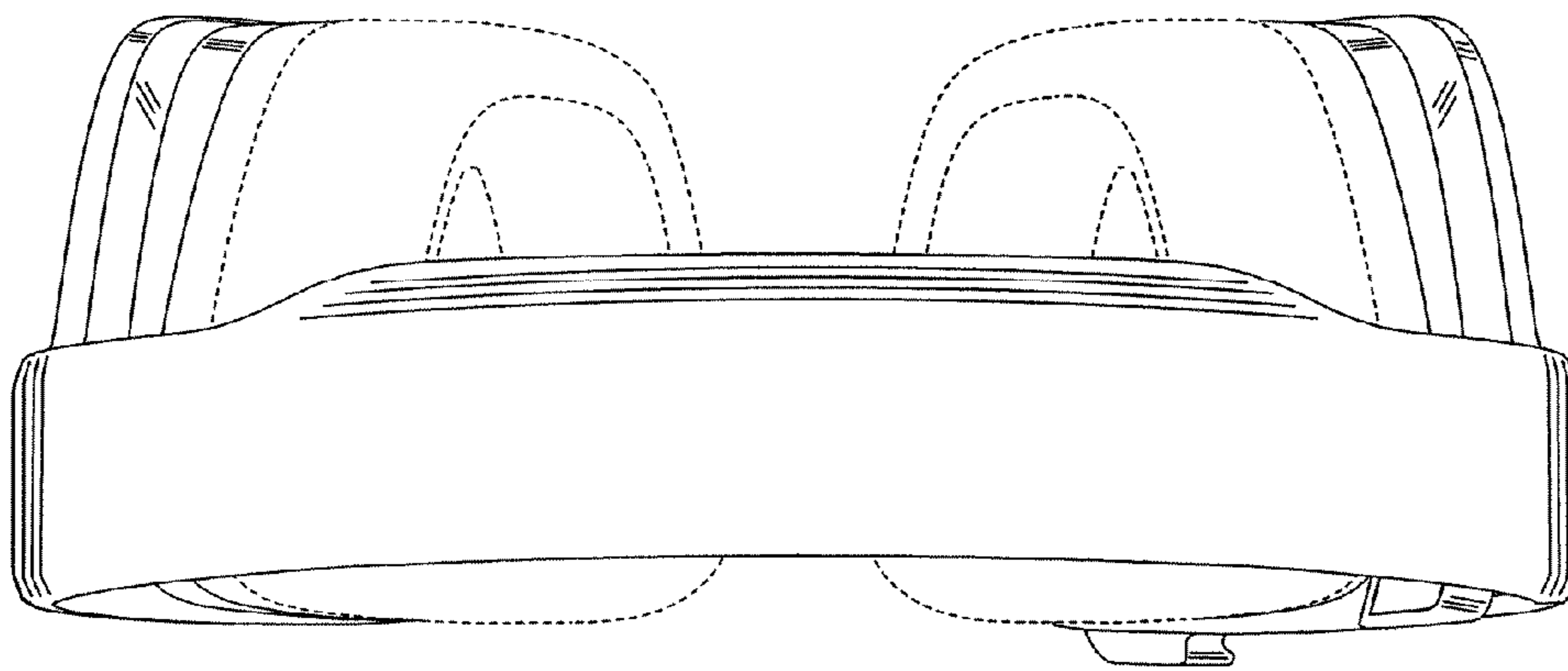
# FIGURE 3



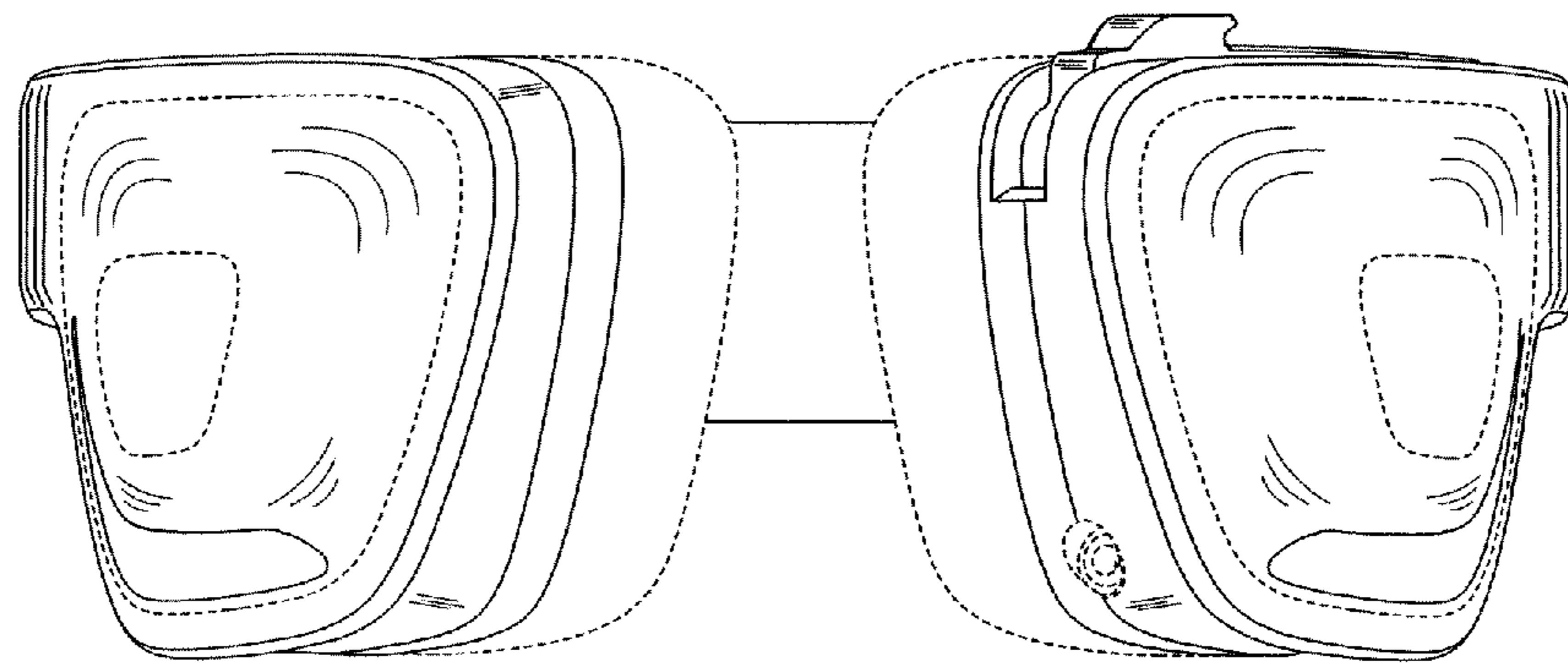
# FIGURE 4



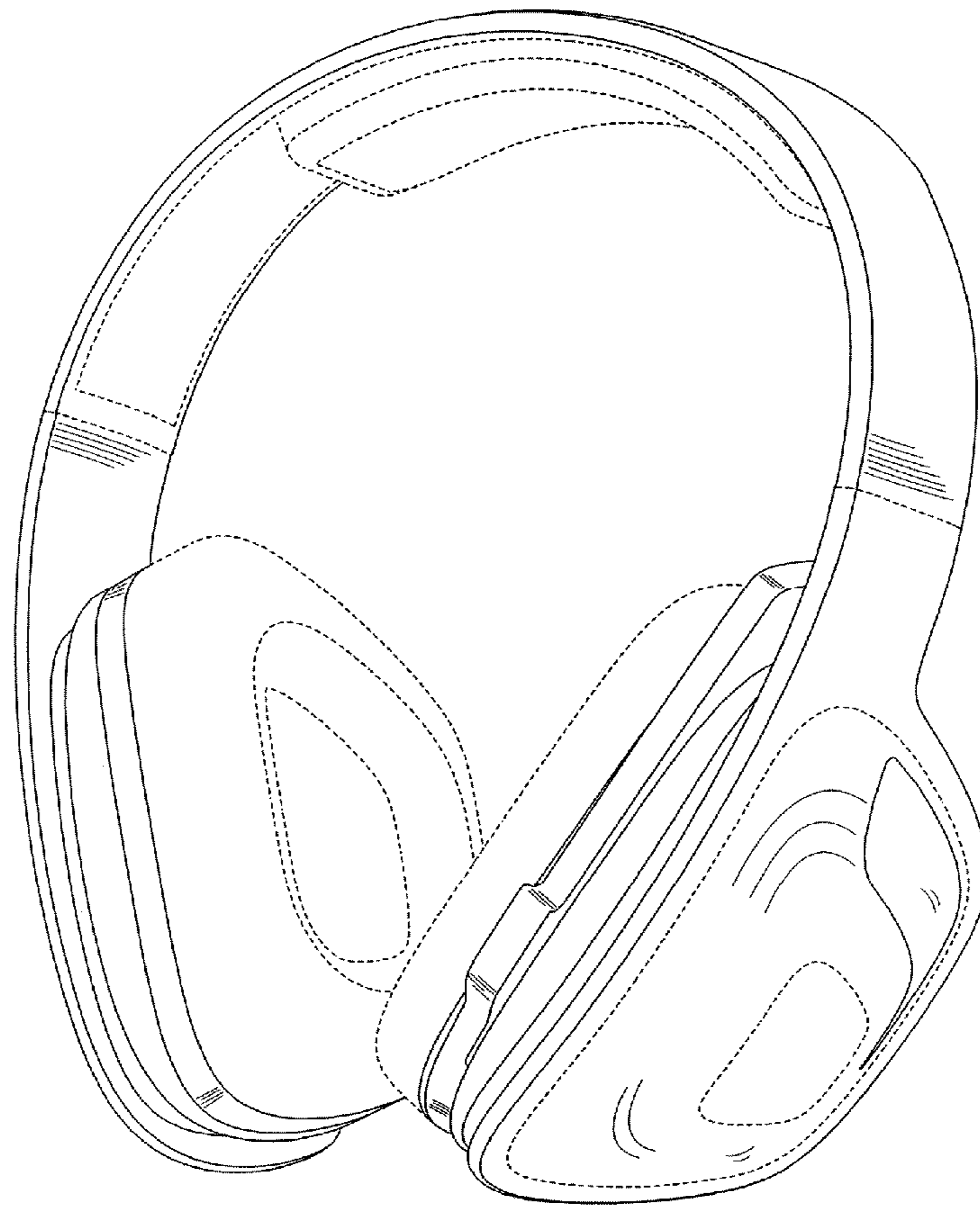
# FIGURE 5



**FIGURE 6**



**FIGURE 7**





**FIGURE 8**

