



US00D689463S

(12) **United States Design Patent**
Hardi et al.

(10) **Patent No.:** **US D689,463 S**
(45) **Date of Patent:** **** Sep. 10, 2013**

(54) **HEADPHONE**

(75) Inventors: **Jason A. Hardi**, Miami Beach, FL (US);
Curtis Jackson, New York, NY (US);
Brian M. Nohe, Delray Beach, FL (US)

(73) Assignee: **SMS Audio LLC**, New York, NY (US)

(**) Term: **14 Years**

(21) Appl. No.: **29/429,315**

(22) Filed: **Aug. 9, 2012**

(51) **LOC (9) Cl.** **14-01**

(52) **U.S. Cl.**
USPC **D14/205**

(58) **Field of Classification Search**
USPC D14/205, 206, 223; D29/112; 2/209;
181/129, 130, 135; 379/430, 431, 433.01,
379/433.02, 433.05; 381/380, 381; 455/575.1,
455/90.3

See application file for complete search history.

(56) **References Cited**

U.S. PATENT DOCUMENTS

4,156,118	A	5/1979	Hargrave	
D270,634	S	9/1983	Ungar	
4,403,120	A	9/1983	Yoshimi	
D291,198	S	8/1987	Bellini	
D298,670	S	11/1988	Palmaer	
D338,010	S	8/1993	Yamatogi	
D351,172	S	10/1994	Nakamura et al.	
5,581,627	A	12/1996	Bowser et al.	
5,835,609	A	11/1998	LeGette et al.	
6,466,681	B1	10/2002	Siska, Jr. et al.	
D484,485	S	12/2003	Matsuoka	
D491,163	S *	6/2004	Green	D14/205
D510,335	S	10/2005	Suzuki	
D512,981	S	12/2005	Jacobson et al.	
6,980,165	B2	12/2005	Yuasa et al.	
D534,155	S	12/2006	Obata	
D540,301	S	4/2007	Obata	
D541,255	S *	4/2007	Taylor et al.	D14/205

D541,257	S	4/2007	Thursfield	
D552,077	S	10/2007	Brunner et al.	
D563,382	S	3/2008	Wikel	
7,412,070	B2 *	8/2008	Kleinschmidt et al.	381/374
D582,890	S	12/2008	Koza et al.	
D585,870	S	2/2009	Zheng et al.	
D594,847	S *	6/2009	Suzuki	D14/205
7,590,258	B2	9/2009	Krywko	
D603,371	S	11/2009	Boateng et al.	
D625,705	S *	10/2010	Ohuri et al.	D14/205
D632,668	S *	2/2011	Brunner et al.	D14/205
D634,732	S *	3/2011	Kondo et al.	D14/205

(Continued)

OTHER PUBLICATIONS

Murph, Darren, "sleek by 50 Cent Platinum Headphones announced, invites Beats to a showdown", Engadget.com/Jan. 6, 2011, www.engadget.com/2011/01/06/sleek-by-50-cent-platinum.

(Continued)

Primary Examiner — Paula Greene

(74) *Attorney, Agent, or Firm* — Gottlieb, Rackman & Reisman, P.C.

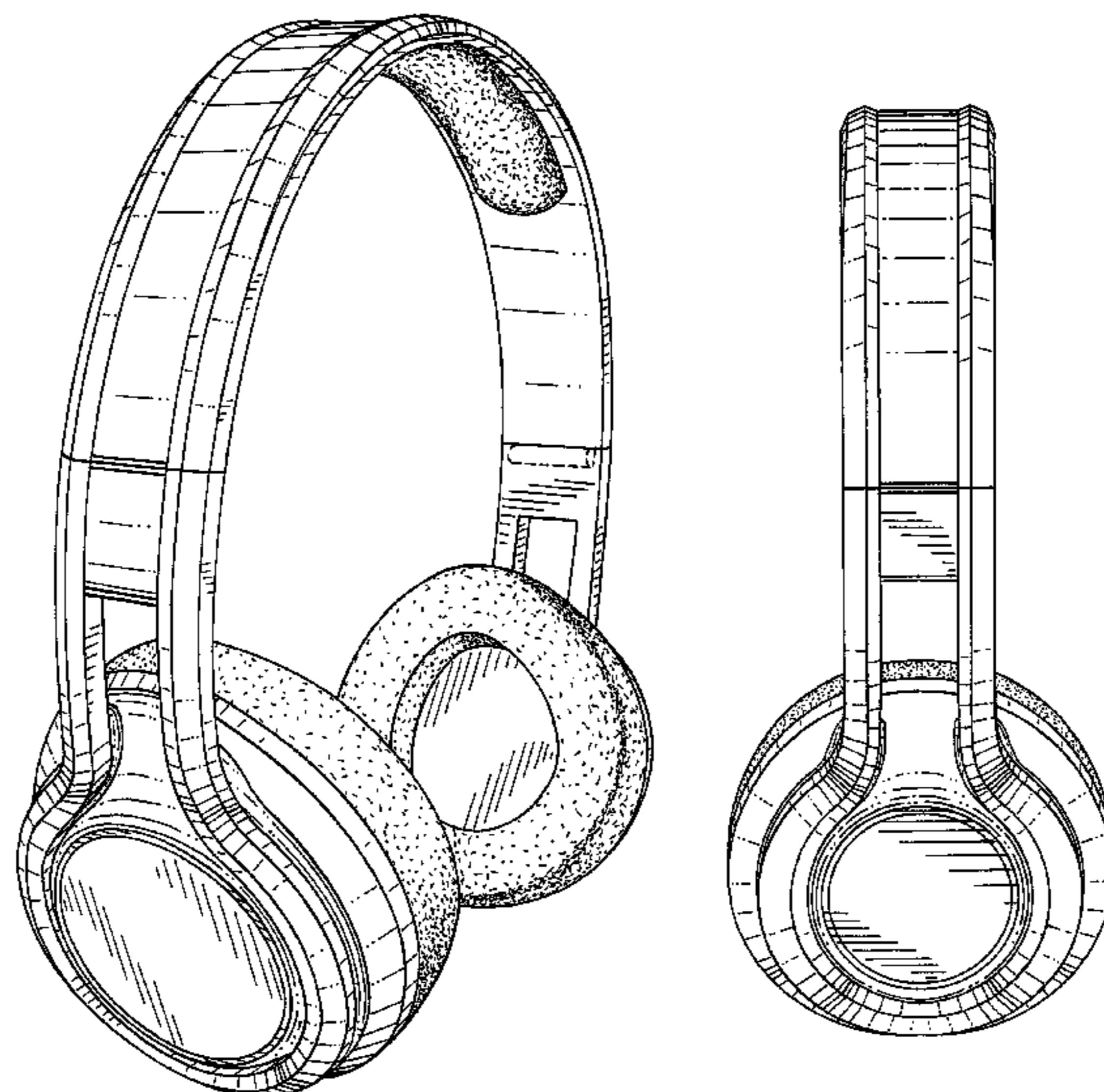
(57) **CLAIM**

The ornamental design for a headphone, as shown and described.

DESCRIPTION

FIG. 1 is the left and front side perspective view of the headphone showing our new design;
FIG. 2 is a top plan view thereof;
FIG. 3 is a front elevational view thereof, the rear elevational view being a mirror image;
FIG. 4 is a left side elevational view thereof, the right side elevational view being a mirror image; and,
FIG. 5 is a bottom plan view thereof.
The broken lines in FIGS. 1 showing one of swiveling hinges is for illustrative purpose only and form no part of the claimed design.

1 Claim, 5 Drawing Sheets



(56)

References Cited

U.S. PATENT DOCUMENTS

D635,959 S 4/2011 Hutchieson
D637,176 S 5/2011 Brunner et al.
D652,406 S * 1/2012 Lee et al. D14/205
D657,344 S * 4/2012 Brunner et al. D14/205
D660,823 S * 5/2012 Hardi et al. D14/205
D660,824 S * 5/2012 Hardi et al. D14/205
D664,117 S * 7/2012 Tappeiner et al. D14/205
D669,451 S * 10/2012 Tappeiner et al. D14/205
D678,860 S * 3/2013 Hagelin D14/205

D684,559 S * 6/2013 Groset et al. D14/205
2005/0220318 A1 10/2005 Han
2009/0034774 A1 2/2009 Lowry et al.
2009/0285436 A1 11/2009 Lowry et al.
2011/0164776 A1 7/2011 Kelly et al.

OTHER PUBLICATIONS

Evans, Joel, "Review: Beats by Dr. Dre headphones", Geek.com., Jul. 3, 2008, www.geek.com/articles/gadgets/review-beats-by-dr-re-headphones-20080730.

* cited by examiner

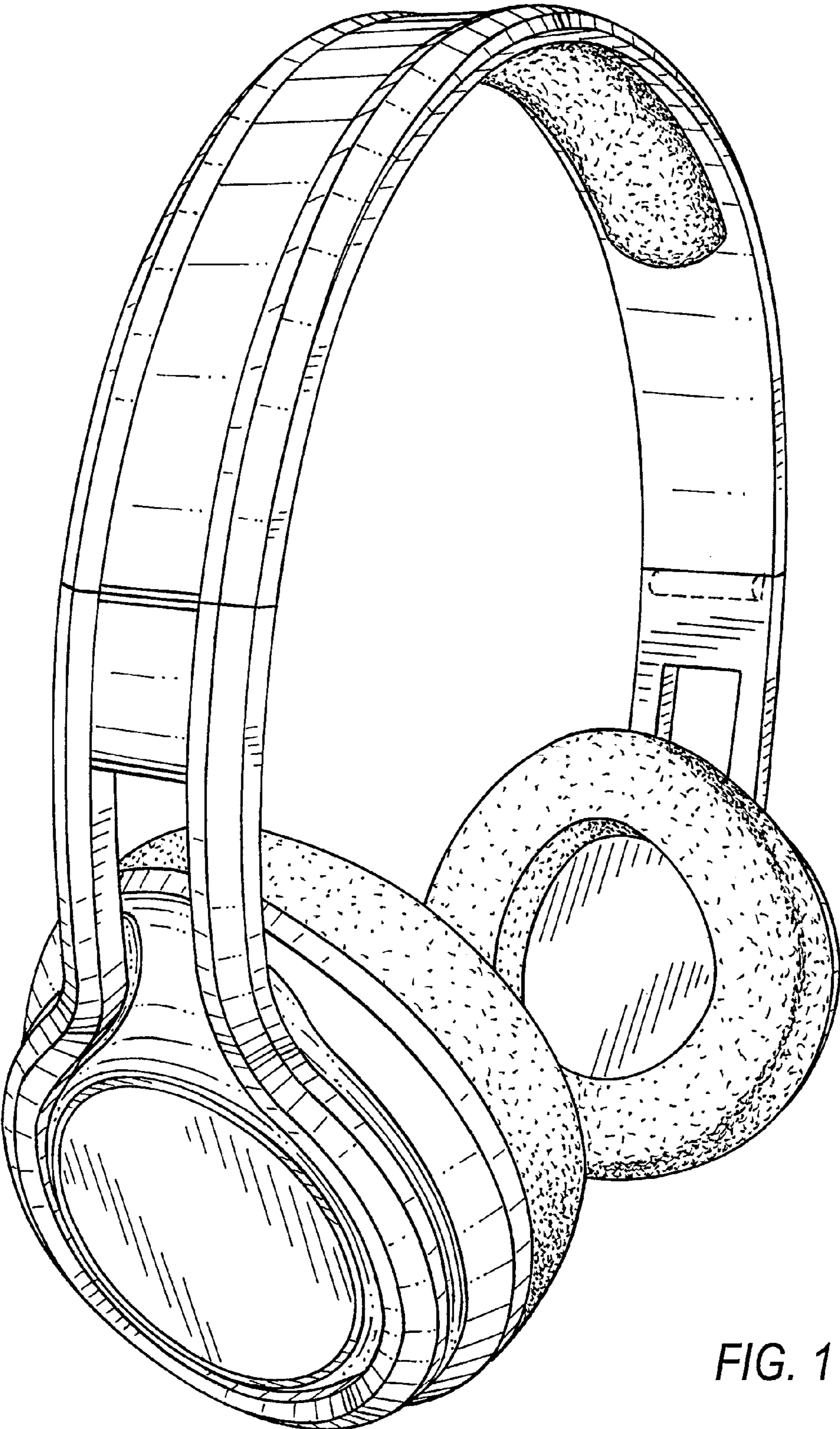


FIG. 1

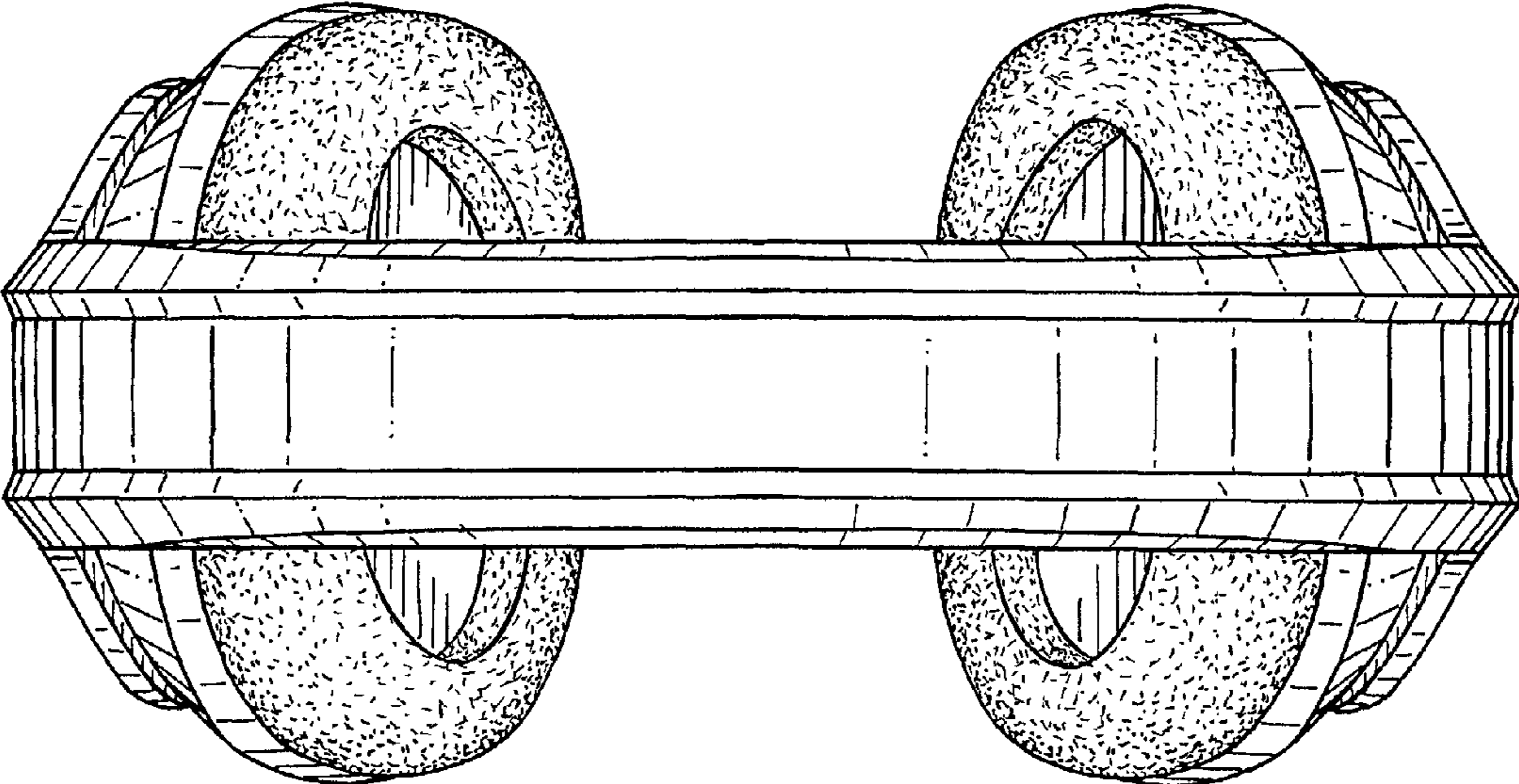


FIG. 2

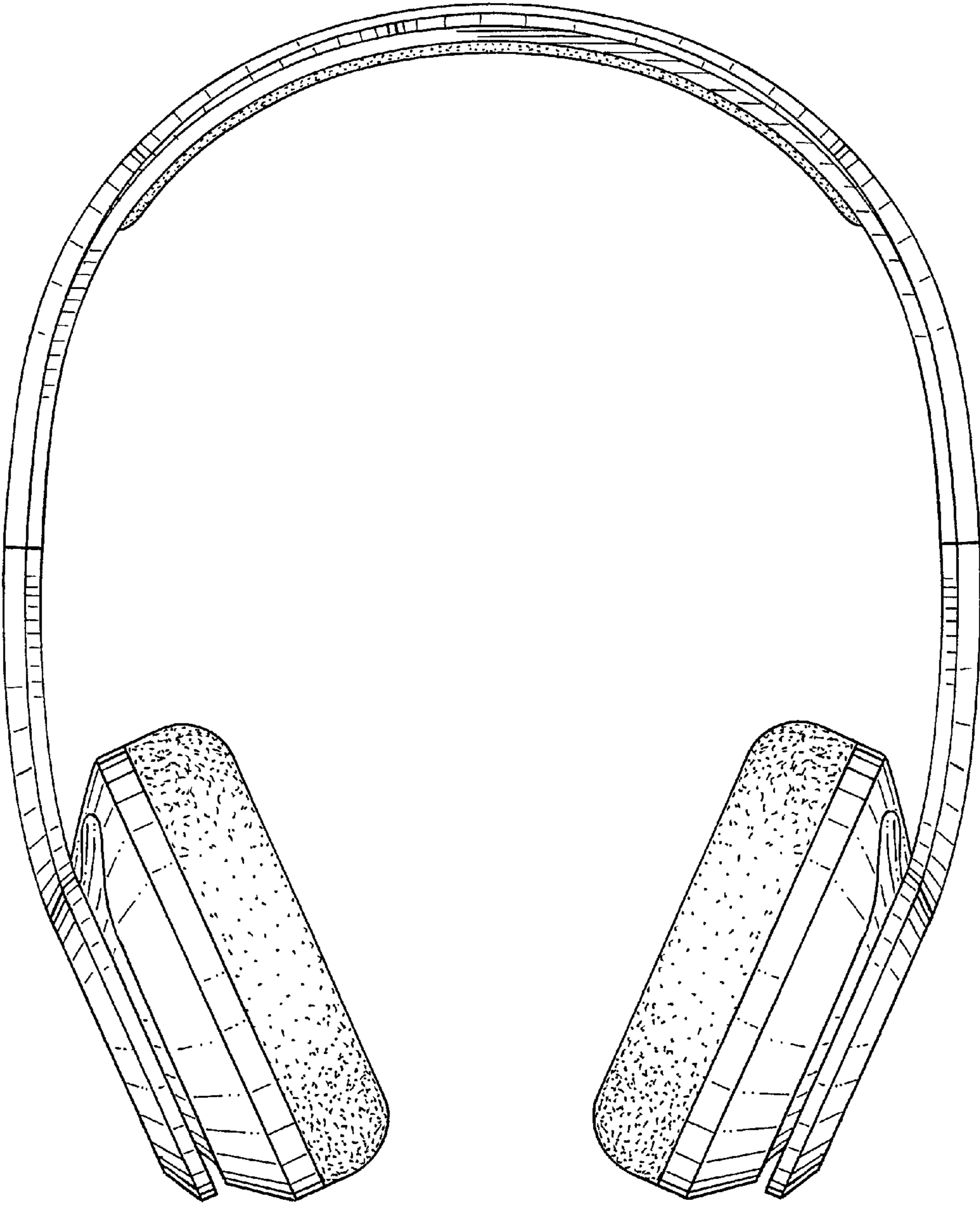


FIG. 3

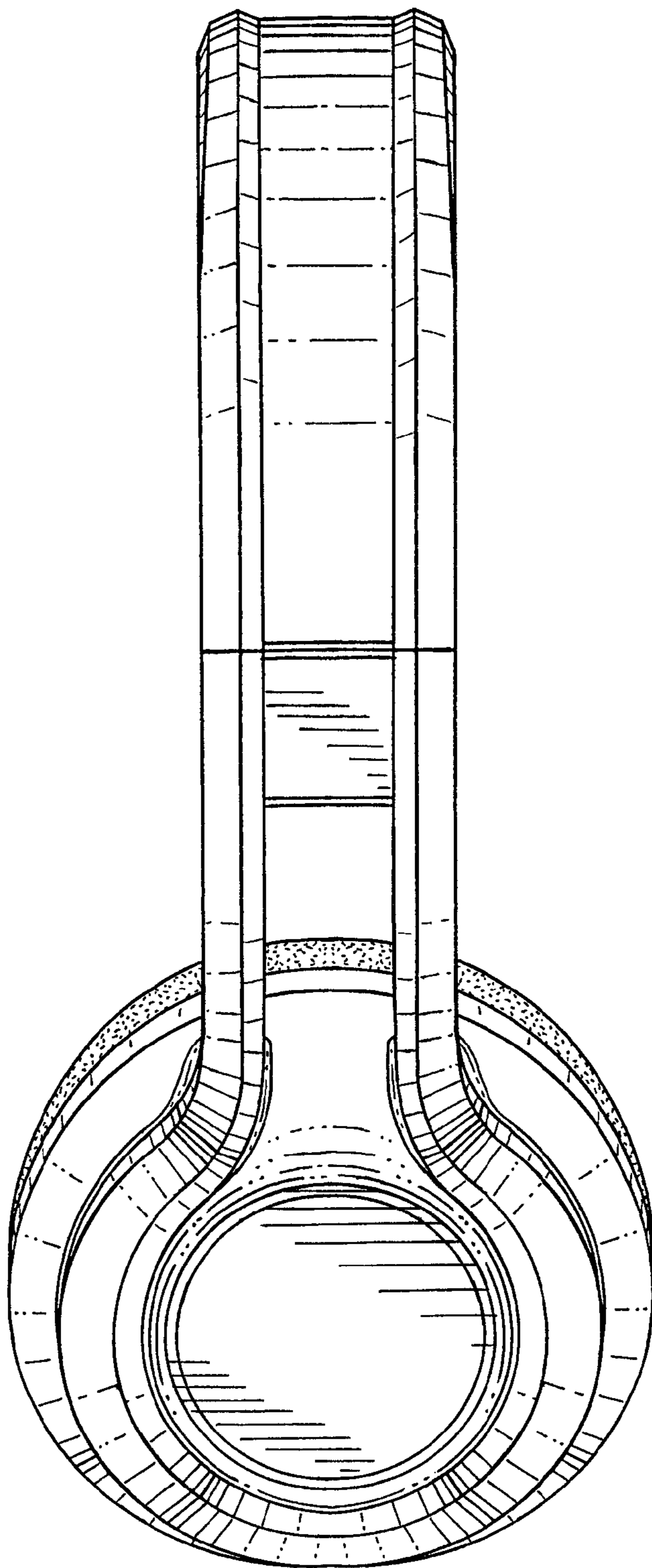


FIG. 4

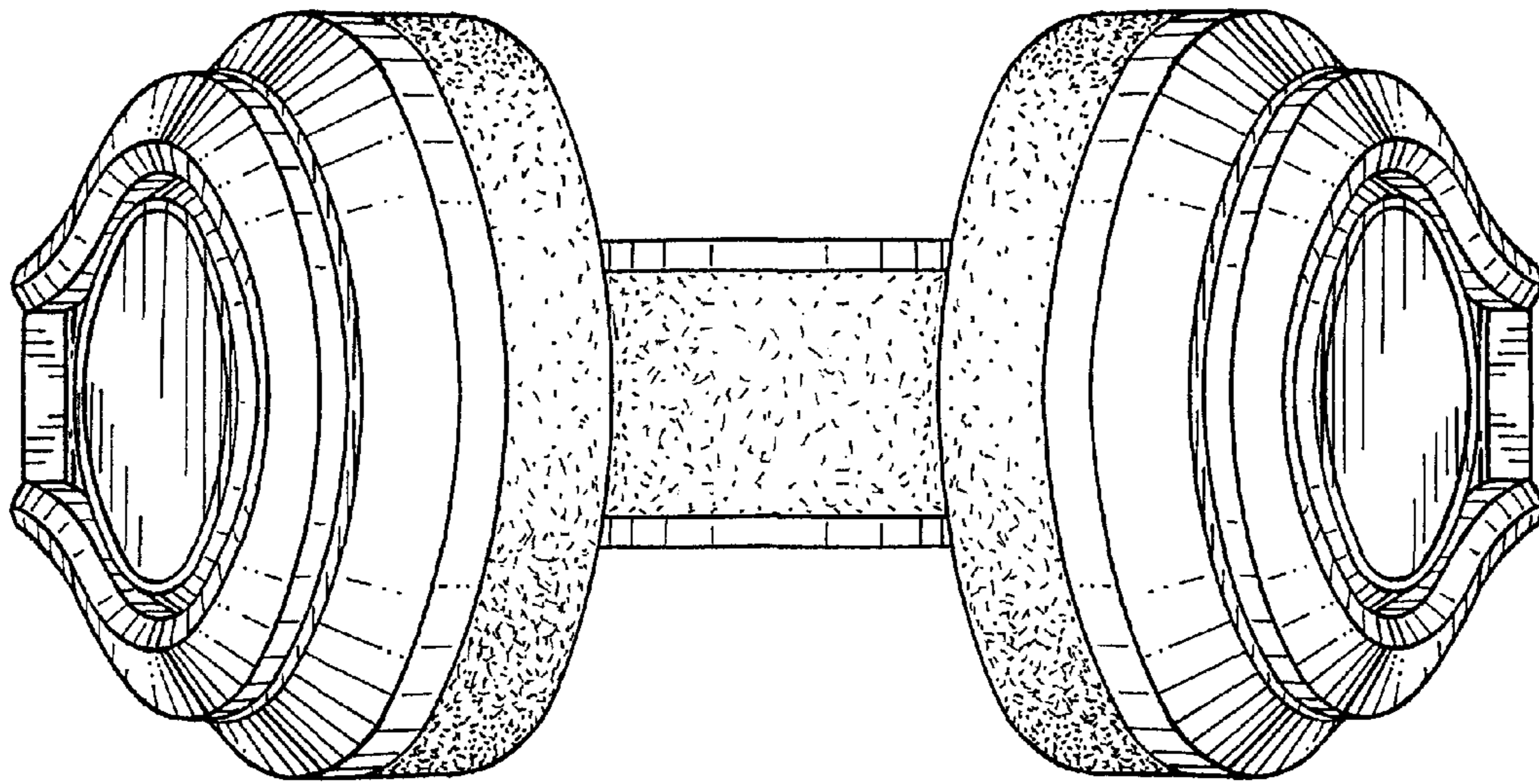


FIG. 5