



US00D689462S

(12) **United States Design Patent**
Quilter

(10) **Patent No.:** **US D689,462 S**

(45) **Date of Patent:** **** Sep. 10, 2013**

(54) **AMPLIFIER**

(75) Inventor: **Patrick H. Quilter**, Laguna Beach, CA
(US)

(73) Assignee: **Quilter Laboratories, LLC**

(**) Term: **14 Years**

(21) Appl. No.: **29/405,811**

(22) Filed: **Nov. 7, 2011**

(51) **LOC (9) Cl.** **14-03**

(52) **U.S. Cl.**
USPC **D14/197; D14/188**

(58) **Field of Classification Search**
USPC D14/168, 169, 179, 188, 194–198,
D14/215, 217, 257, 265, 299, 496; 330/1 R,
330/3, 4, 250; 381/86, 120; 455/344–351
See application file for complete search history.

(56) **References Cited**

U.S. PATENT DOCUMENTS

D192,859 S *	5/1962	Fender	D14/196
D205,947 S *	10/1966	Hopkins et al.	D14/196
D207,402 S *	4/1967	McClellan	D14/196
D237,089 S *	10/1975	Walker	D14/196
D315,736 S *	3/1991	Takagi	D14/194
D410,465 S *	6/1999	Johnson et al.	D14/188

D429,236 S *	8/2000	Pritchard	D14/214
D451,084 S *	11/2001	Su	D14/188
D478,564 S *	8/2003	Rizzi	D14/188
D495,012 S *	8/2004	Morimoto	D14/188
D546,814 S *	7/2007	Takita et al.	D14/168
D582,391 S *	12/2008	Morimoto	D14/214
D607,283 S *	1/2010	Mahan et al.	D7/606
D636,374 S *	4/2011	Smith	D14/188

* cited by examiner

Primary Examiner — Keli L Hill

(74) *Attorney, Agent, or Firm* — Perkins Coie LLP

(57) **CLAIM**

The ornamental design for an amplifier, as shown and described.

DESCRIPTION

FIG. 1 is a front perspective view of the amplifier embodying my new design;
FIG. 2 is a rear perspective view of the amplifier of FIG. 1;
FIG. 3 is a front view of the amplifier of FIG. 1;
FIG. 4 is a rear view of the amplifier of FIG. 1;
FIG. 5 is a side view of the amplifier of FIG. 1;
FIG. 6 is an opposite side view of the amplifier of FIG. 1;
FIG. 7 is a top view of the amplifier of FIG. 1; and,
FIG. 8 is a bottom view of the amplifier of FIG. 1.

1 Claim, 8 Drawing Sheets

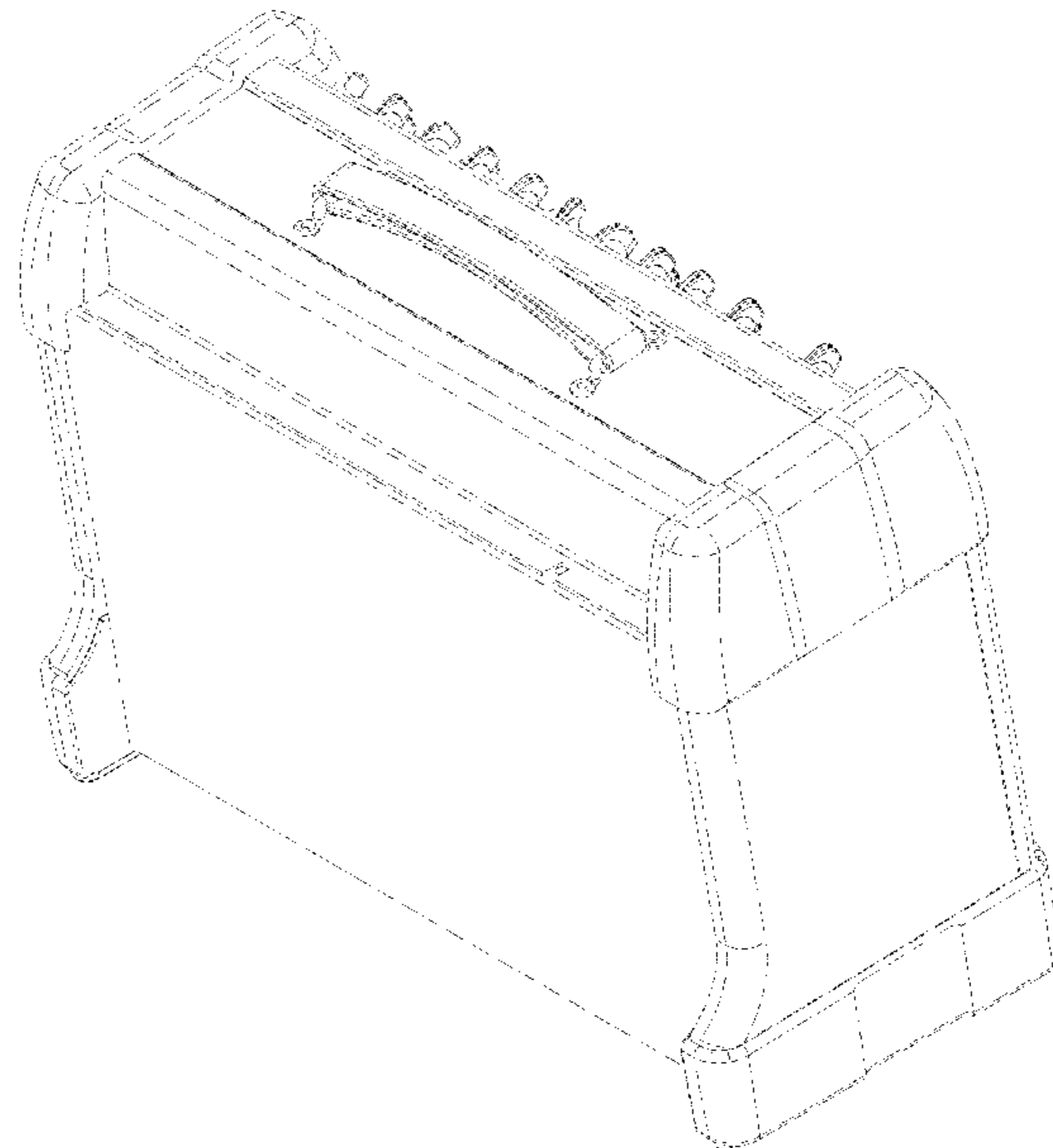
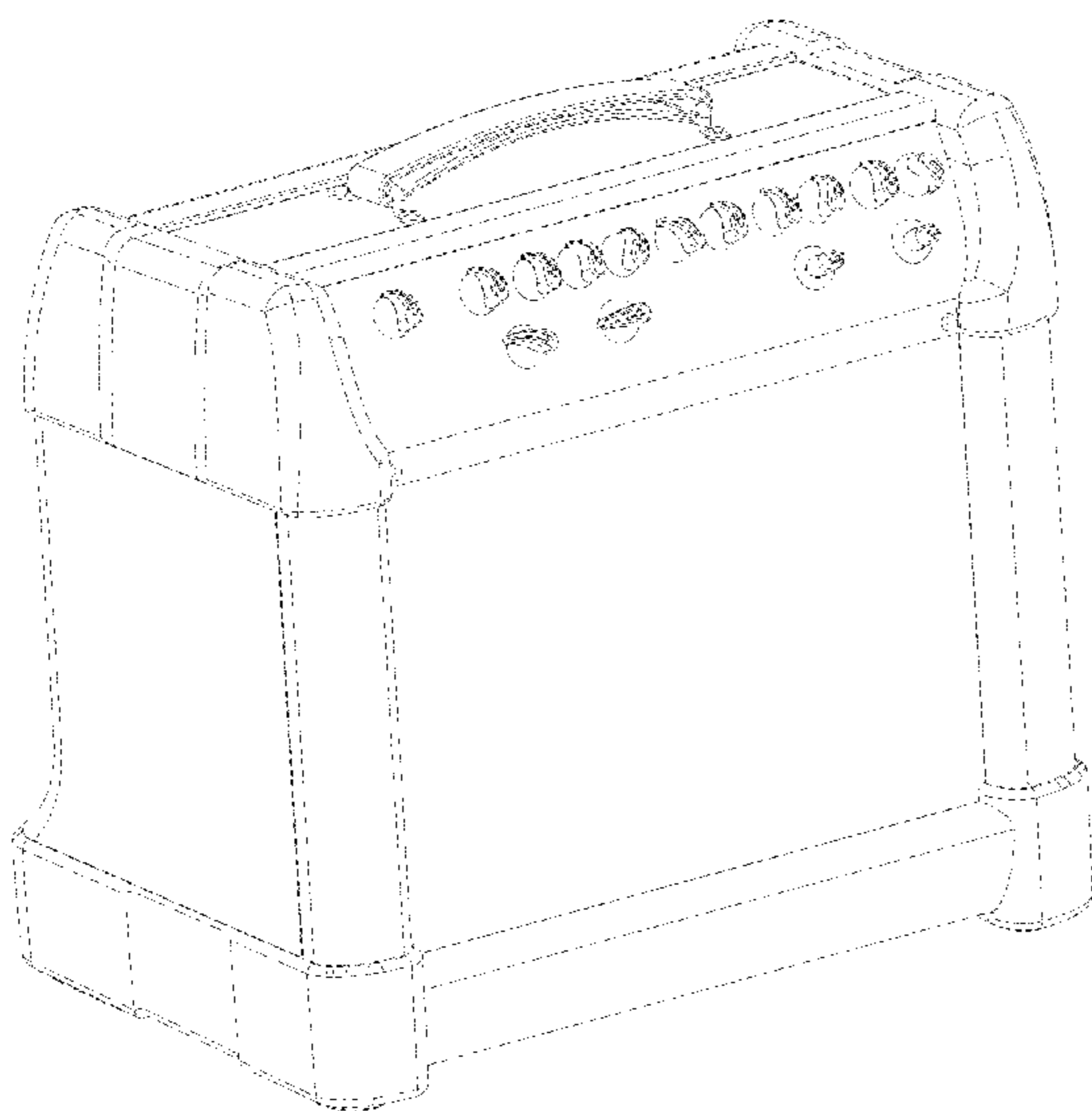


FIG. 1

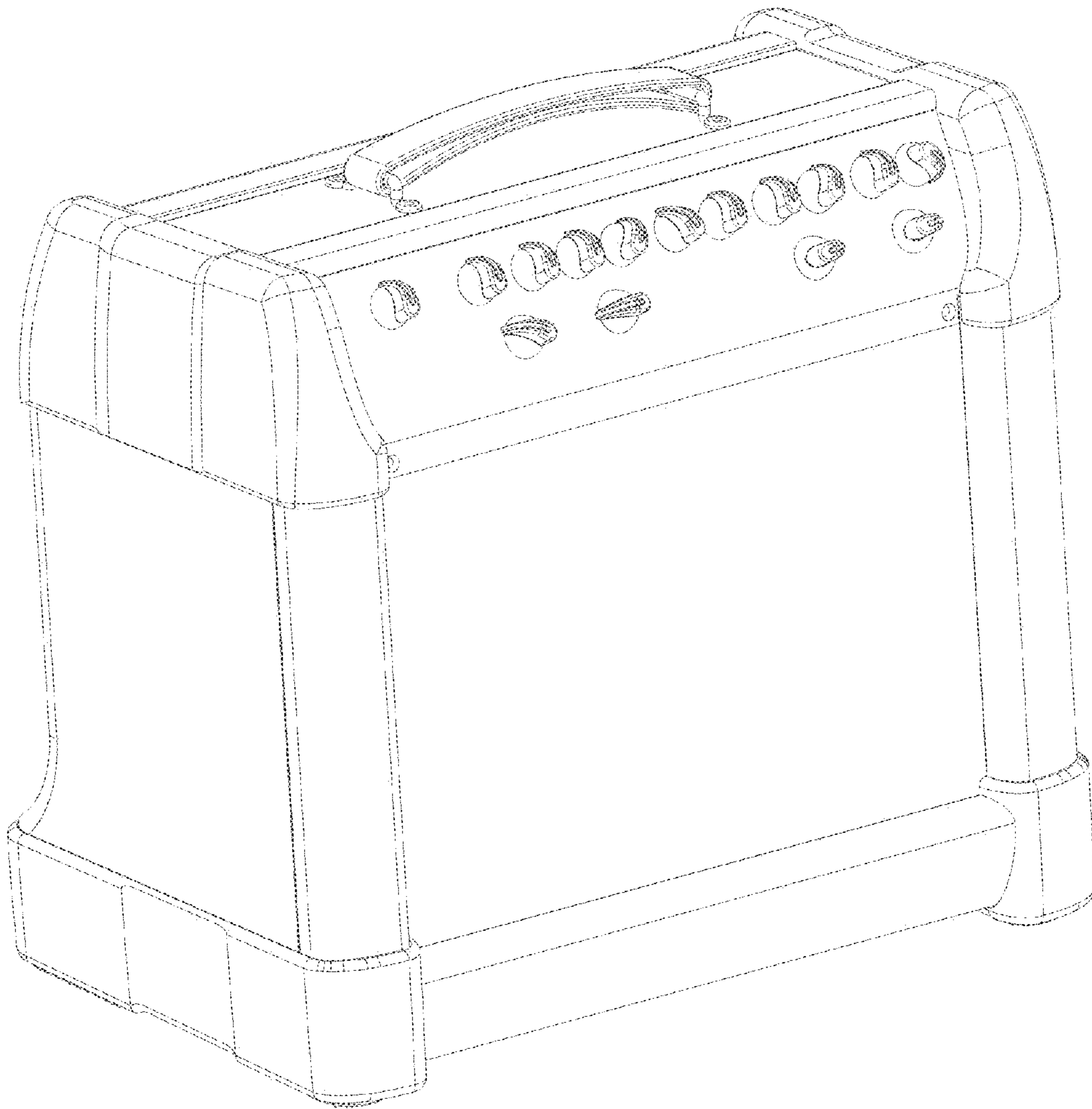


FIG. 2

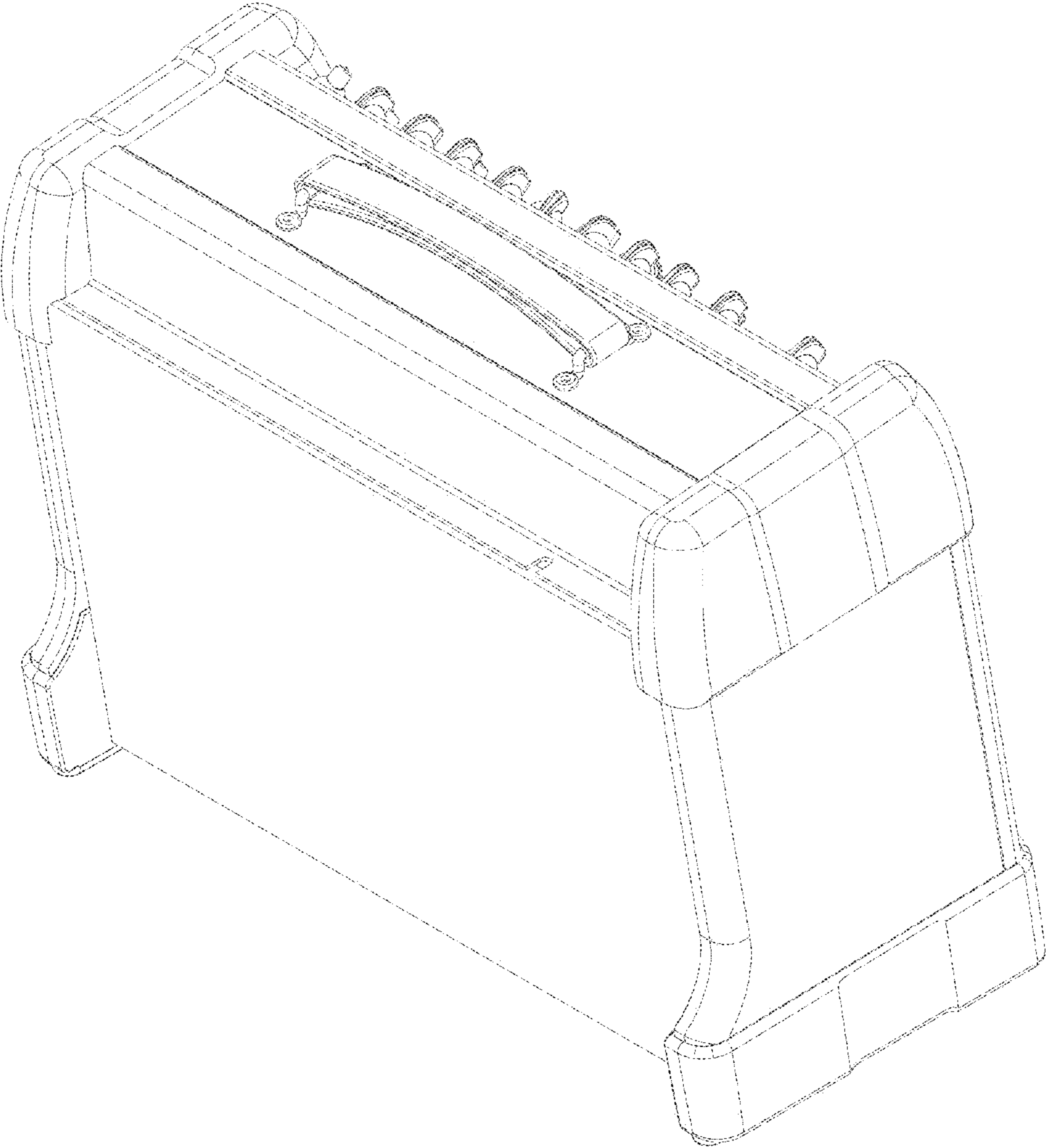


FIG. 3

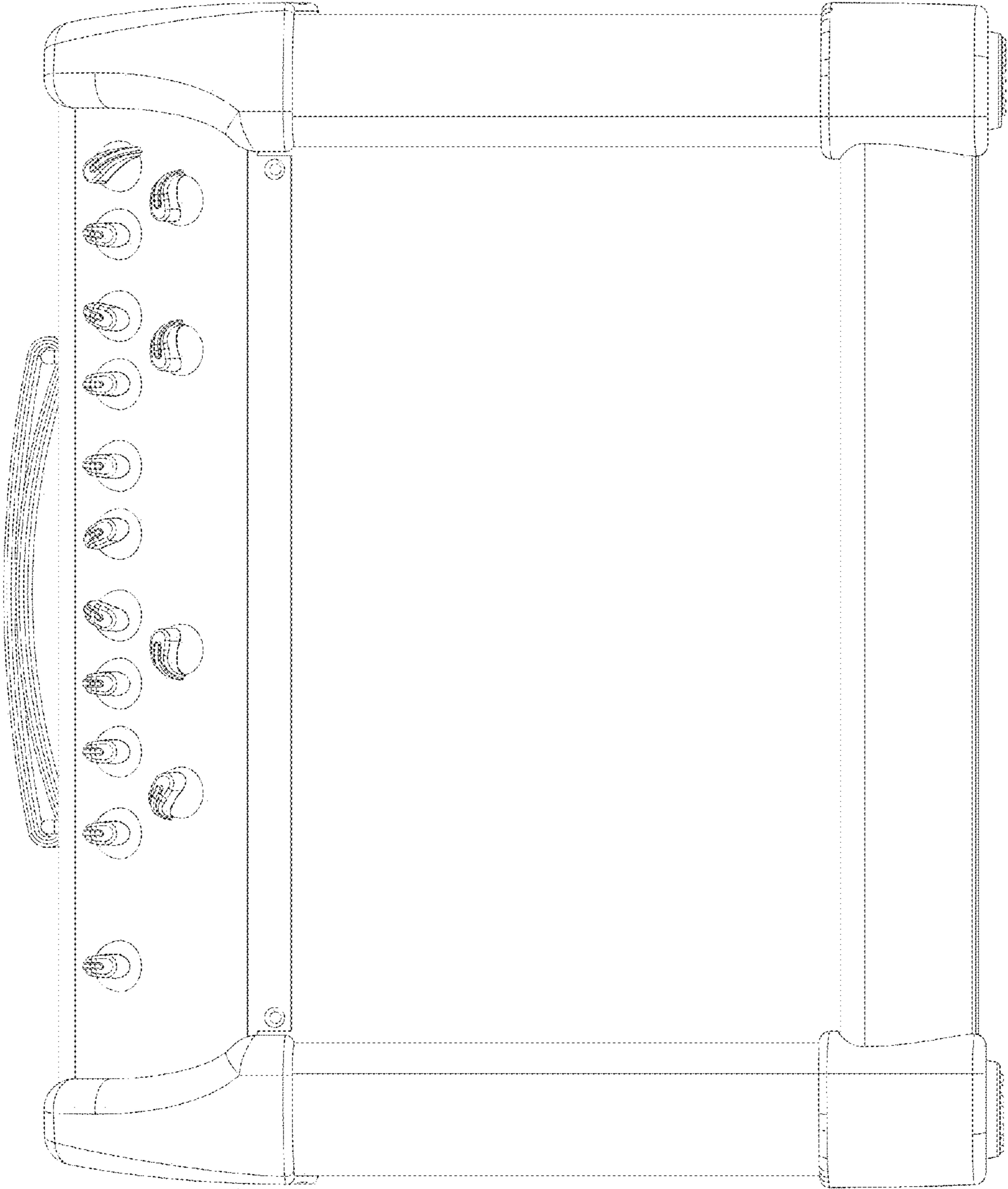
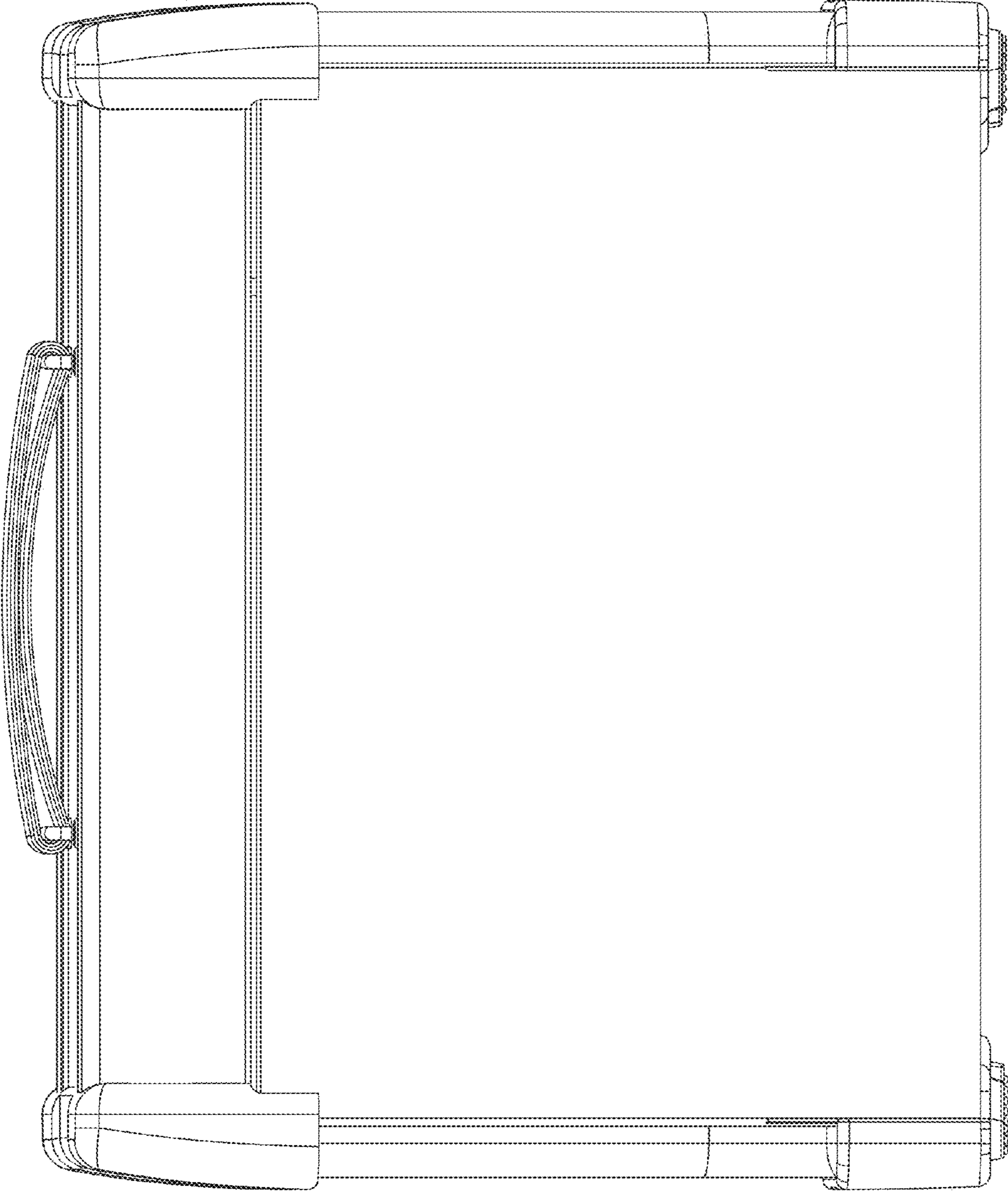


FIG. 4



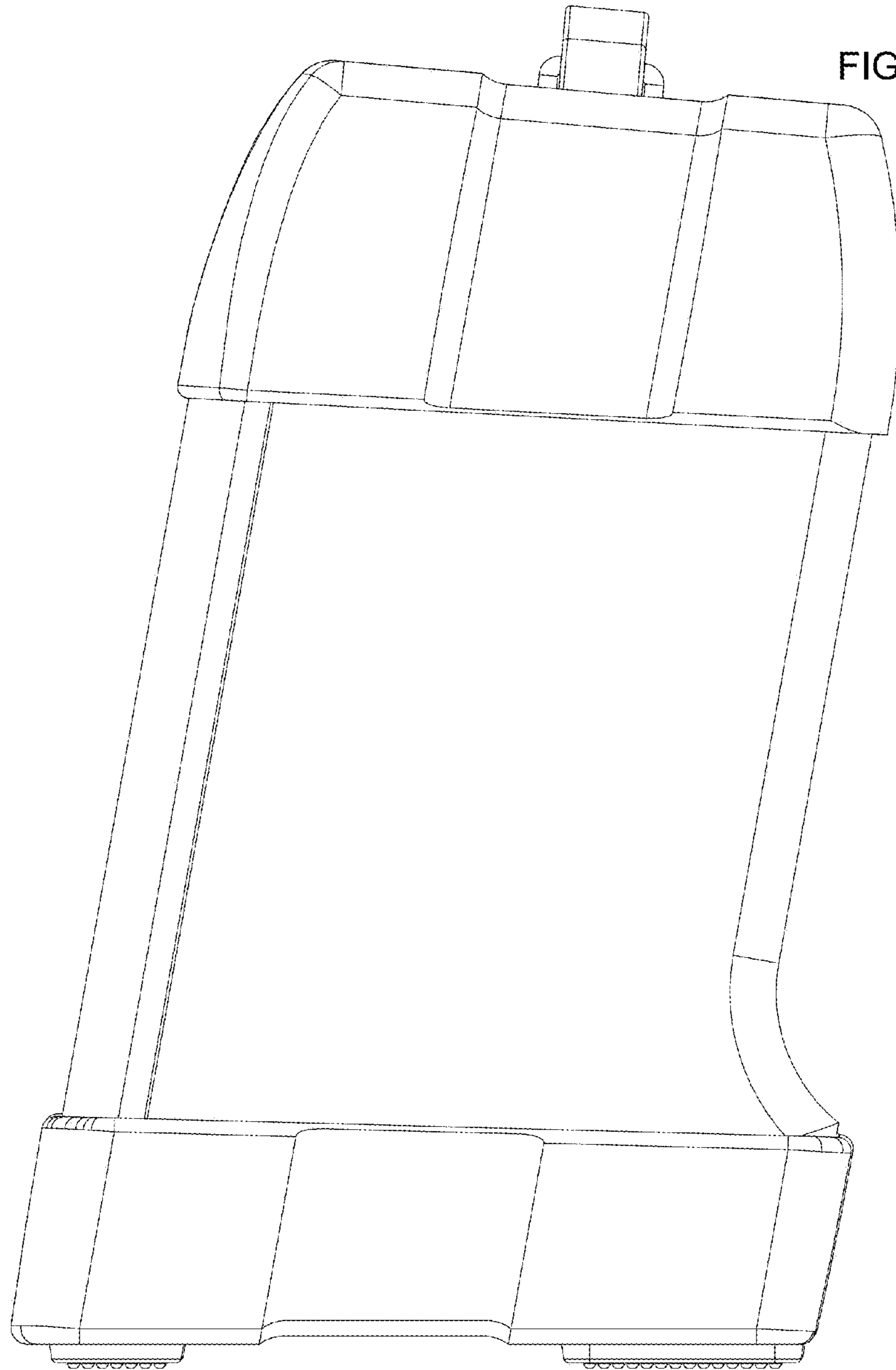


FIG. 5

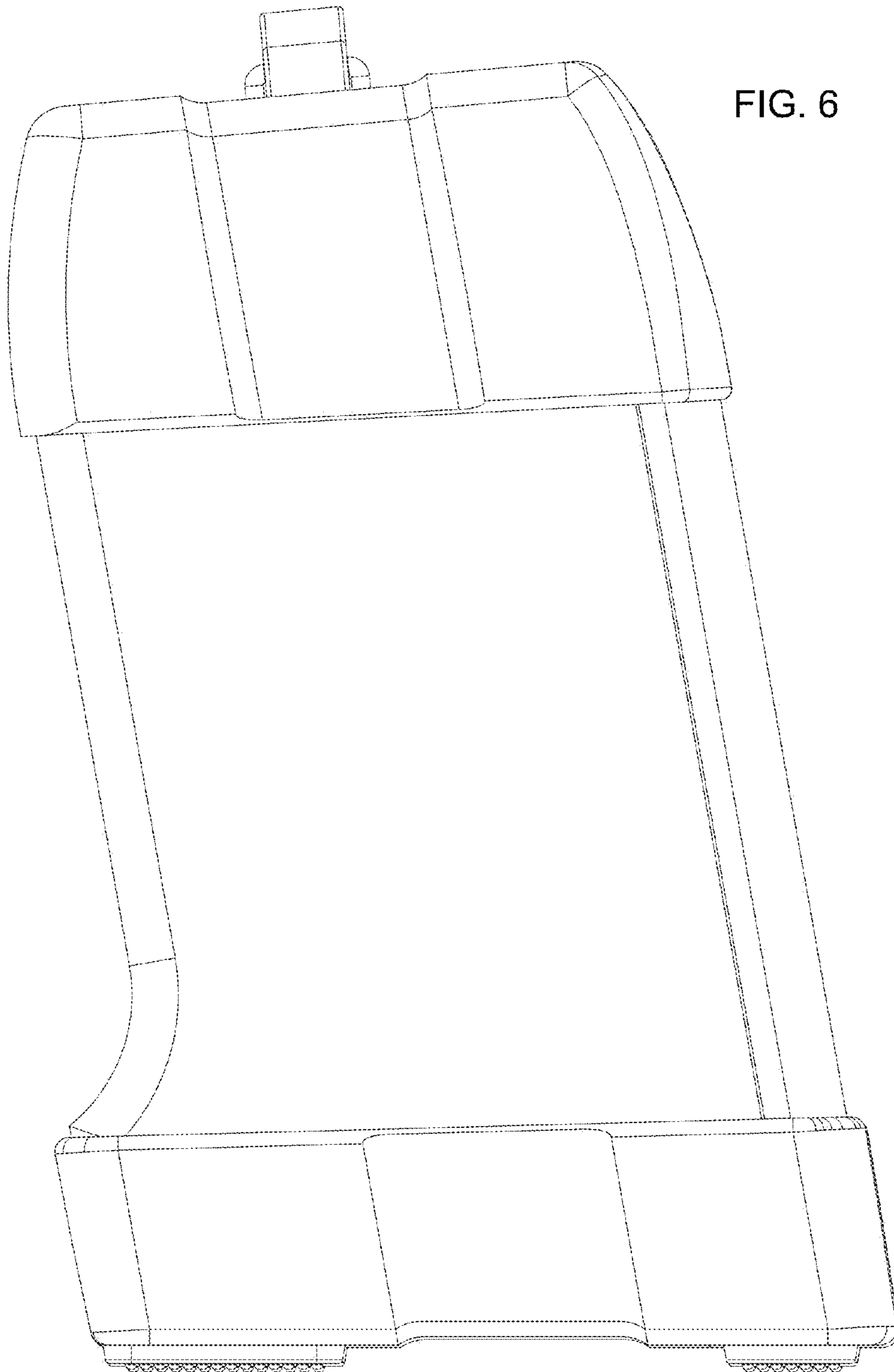


FIG. 6

FIG. 7

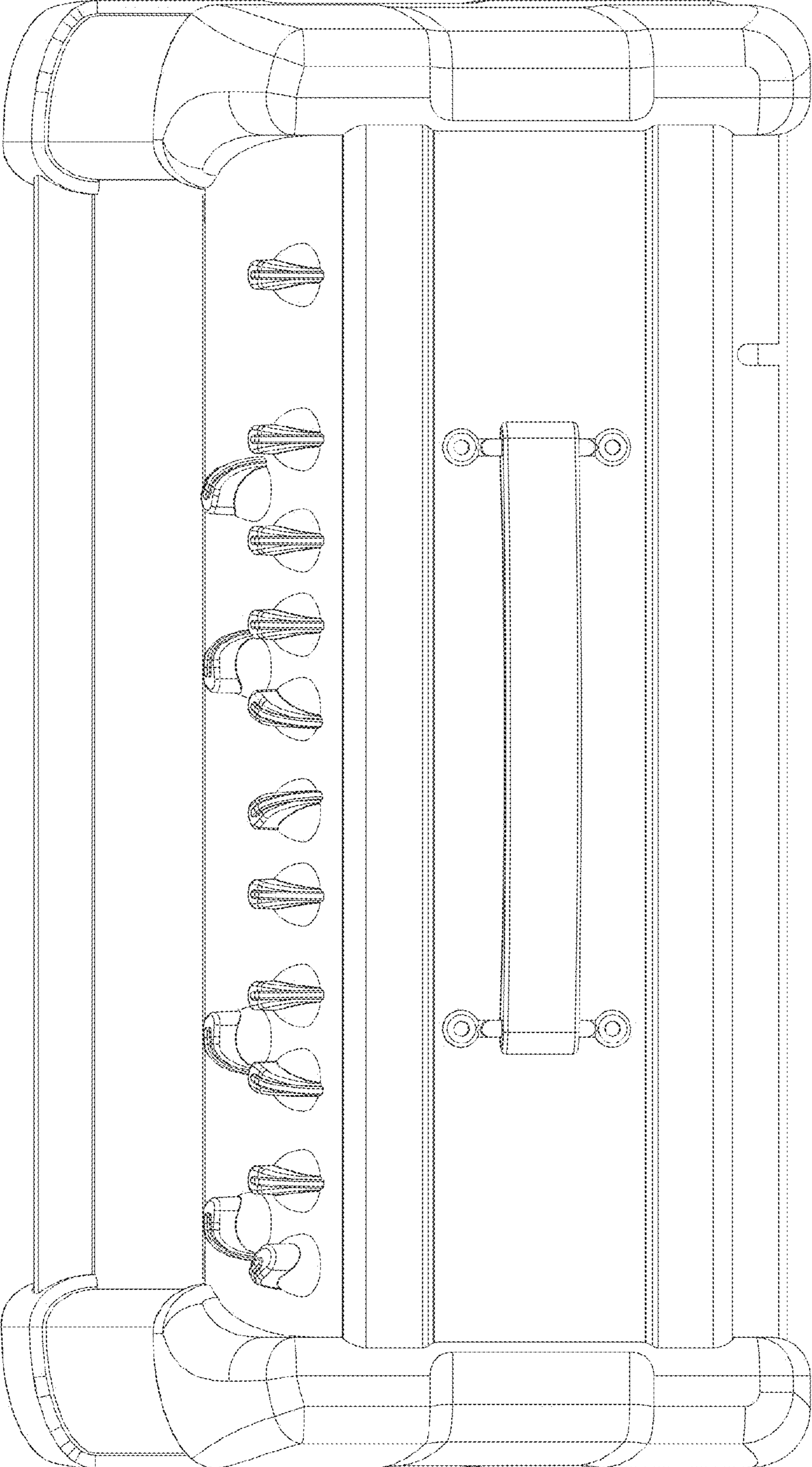
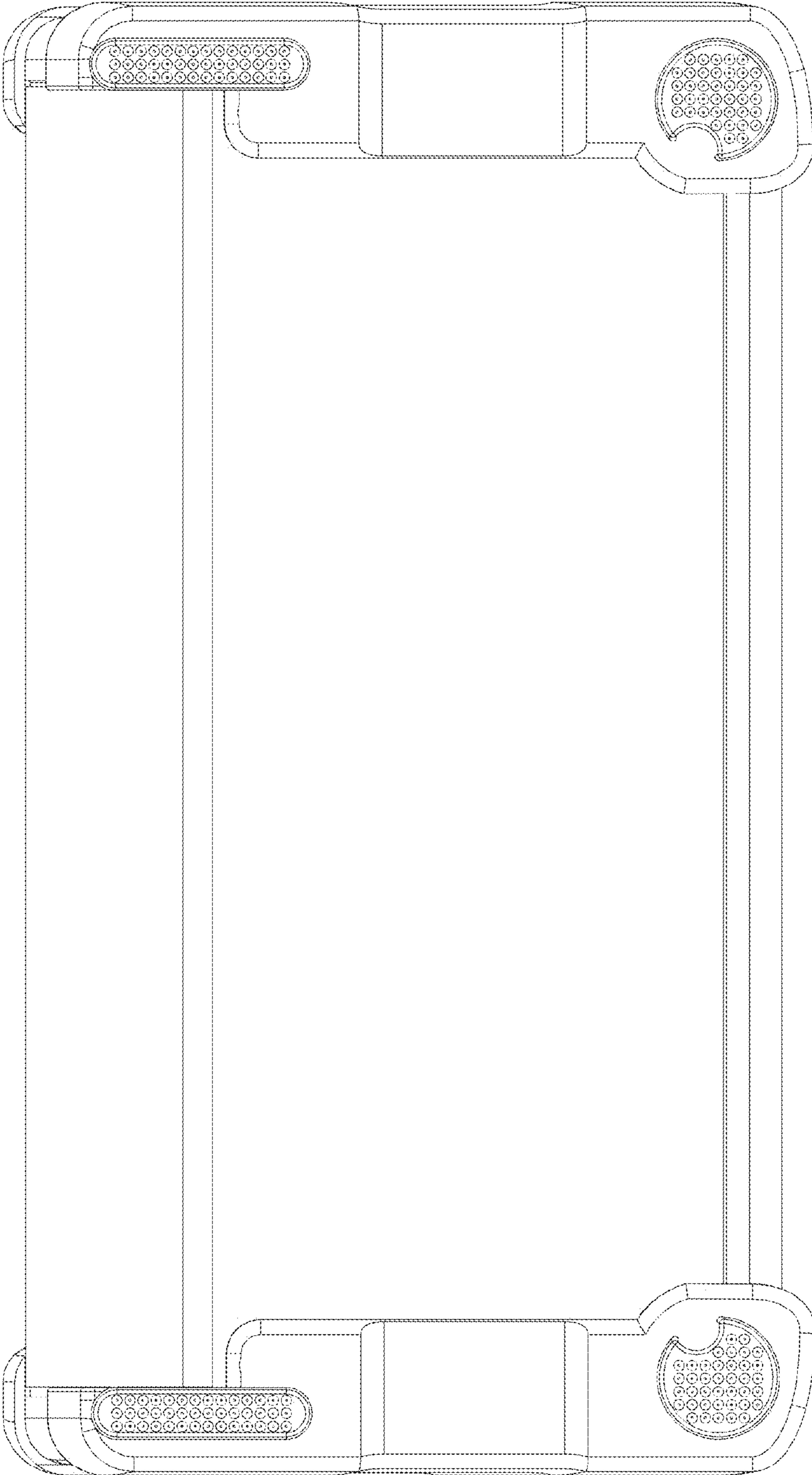


FIG. 8



UNITED STATES PATENT AND TRADEMARK OFFICE
CERTIFICATE OF CORRECTION

PATENT NO. : D689,462 S
APPLICATION NO. : 29/405811
DATED : September 10, 2013
INVENTOR(S) : Patrick H. Quilter

Page 1 of 10

It is certified that error appears in the above-identified patent and that said Letters Patent is hereby corrected as shown below:

Delete the title page and substitute therefore with the attached title page consisting of the corrected illustrative figures.

In the Drawings

Delete Drawing Sheets 1-8 and substitute therefore with the attached Drawings Sheets 1-8 consisting of FIGS. 1-8.

Signed and Sealed this
Fourth Day of November, 2014



Michelle K. Lee
Deputy Director of the United States Patent and Trademark Office

(12) **United States Design Patent**
Quilter

(10) **Patent No.:** **US D689,462 S**
(45) **Date of Patent:** **** Sep. 10, 2013**

(54) **AMPLIFIER**

(75) **Inventor:** **Patrick H. Quilter, Laguna Beach, CA (US)**

(73) **Assignee:** **Quilter Laboratories, LLC**

(**) **Term:** **14 Years**

(21) **Appl. No.:** **29/405,811**

(22) **Filed:** **Nov. 7, 2011**

(51) **LOC (9) Cl.** **14-03**

(52) **U.S. Cl.**
USPC **D14/197; D14/188**

(58) **Field of Classification Search**
USPC **D14/168, 169, 179, 188, 194-198, D14/215, 217, 257, 265, 299, 496; 330/1 R, 330/3, 4, 250; 381/86, 120; 455/344-351**
See application file for complete search history.

(56) **References Cited**

U.S. PATENT DOCUMENTS

D192,859 S *	5/1962	Fender	D14/196
D205,947 S *	10/1966	Hopkins et al.	D14/196
D207,402 S *	4/1967	McClellan	D14/196
D237,089 S *	10/1975	Walker	D14/196
D315,736 S *	3/1991	Iakagi	D14/194
D410,465 S *	6/1999	Johnson et al.	D14/188

D429,236 S *	8/2000	Pritchard	D14/214
D451,084 S *	11/2001	Su	D14/188
D478,564 S *	8/2003	Rizzi	D14/188
D495,012 S *	8/2004	Morimoto	D14/188
D546,814 S *	7/2007	Takita et al.	D14/168
D582,391 S *	12/2008	Morimoto	D14/214
D607,283 S *	1/2010	Mahan et al.	D7/606
D636,374 S *	4/2011	Smith	D14/188

* cited by examiner

Primary Examiner — Keli L Hill

(74) *Attorney, Agent, or Firm* — Perkins Coie LLP

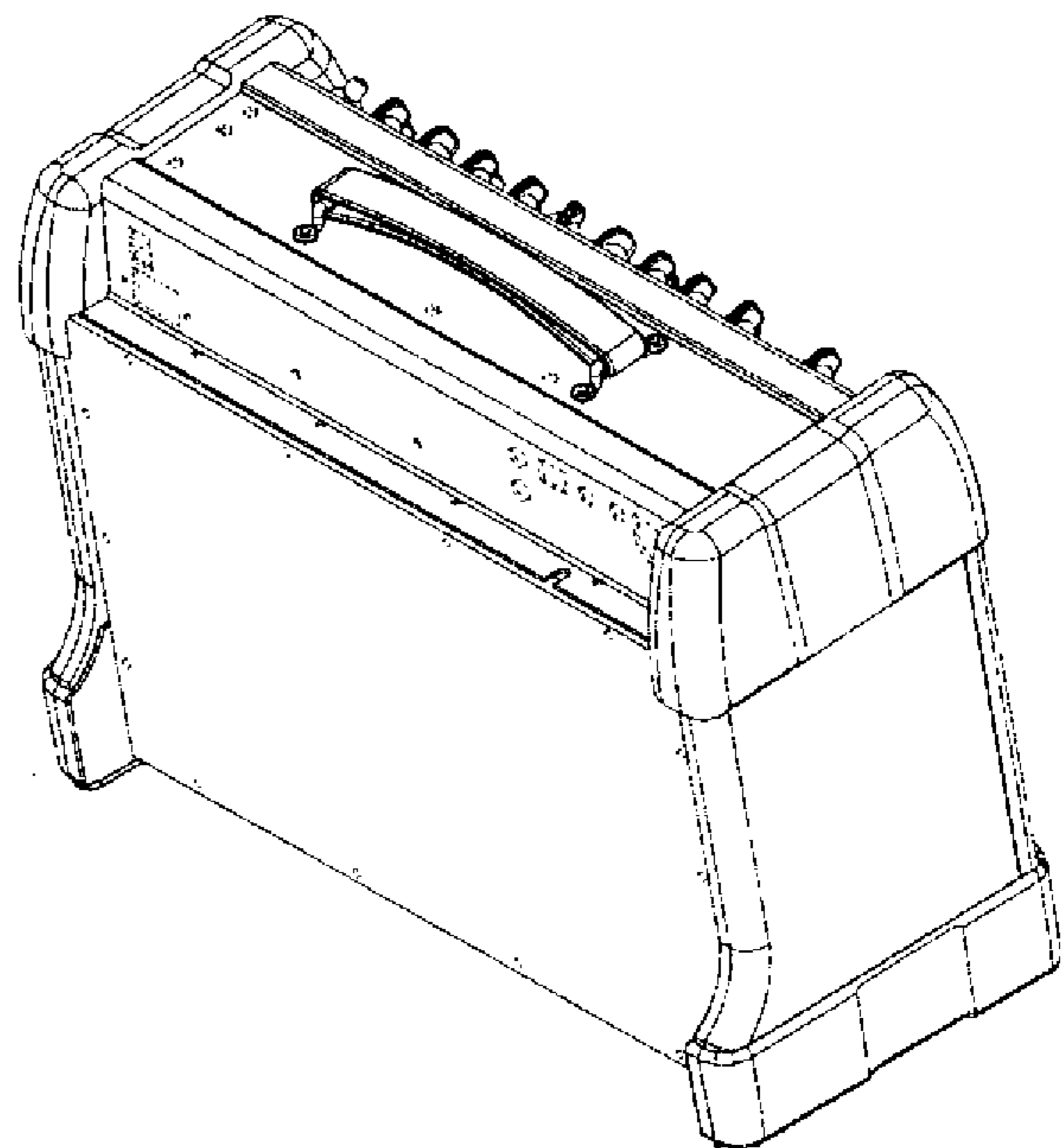
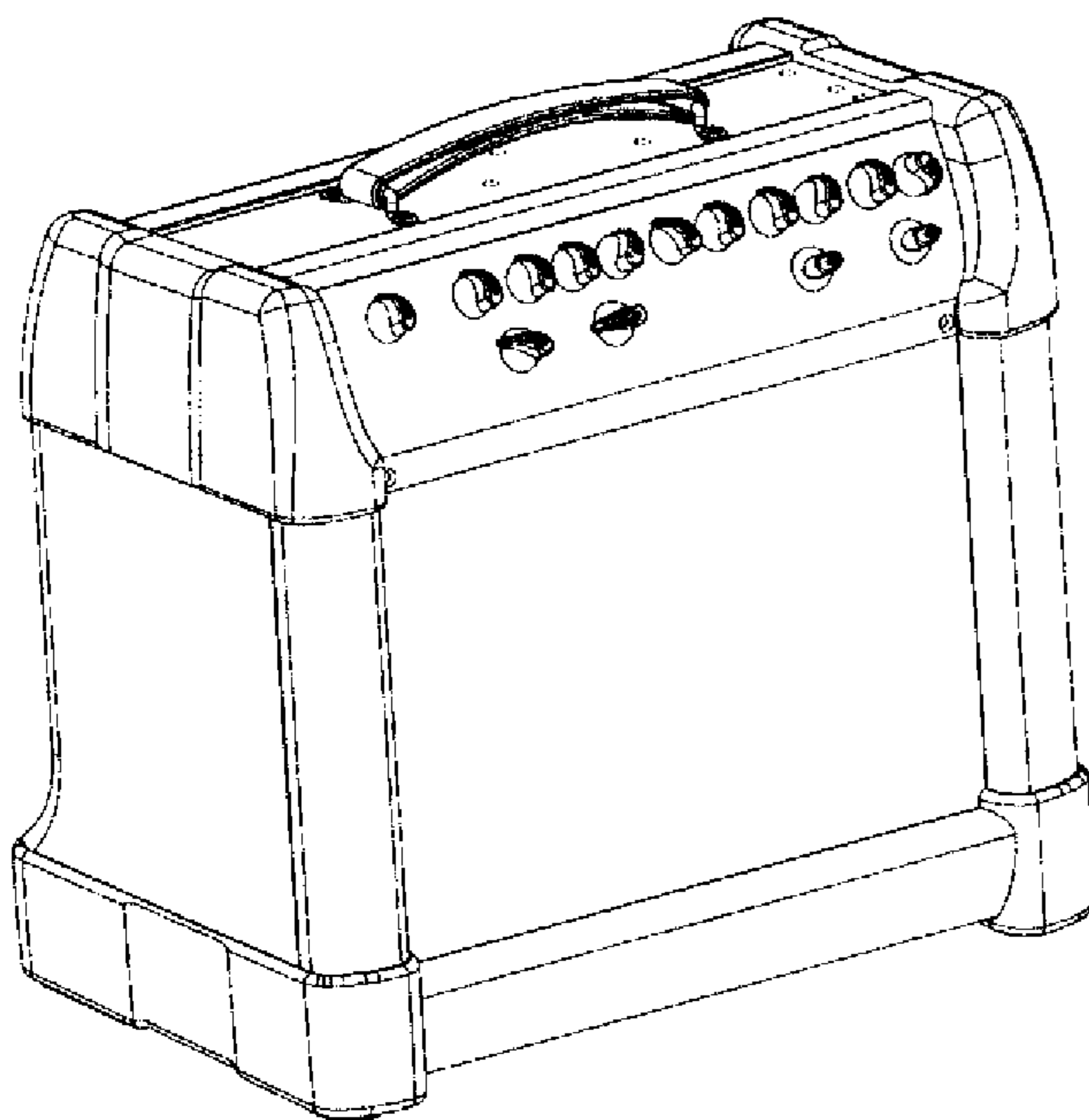
(57) **CLAIM**

The ornamental design for an amplifier, as shown and described.

DESCRIPTION

FIG. 1 is a front perspective view of the amplifier embodying my new design;
FIG. 2 is a rear perspective view of the amplifier of FIG. 1;
FIG. 3 is a front view of the amplifier of FIG. 1;
FIG. 4 is a rear view of the amplifier of FIG. 1;
FIG. 5 is a side view of the amplifier of FIG. 1;
FIG. 6 is an opposite side view of the amplifier of FIG. 1;
FIG. 7 is a top view of the amplifier of FIG. 1; and,
FIG. 8 is a bottom view of the amplifier of FIG. 1.

1 Claim, 8 Drawing Sheets



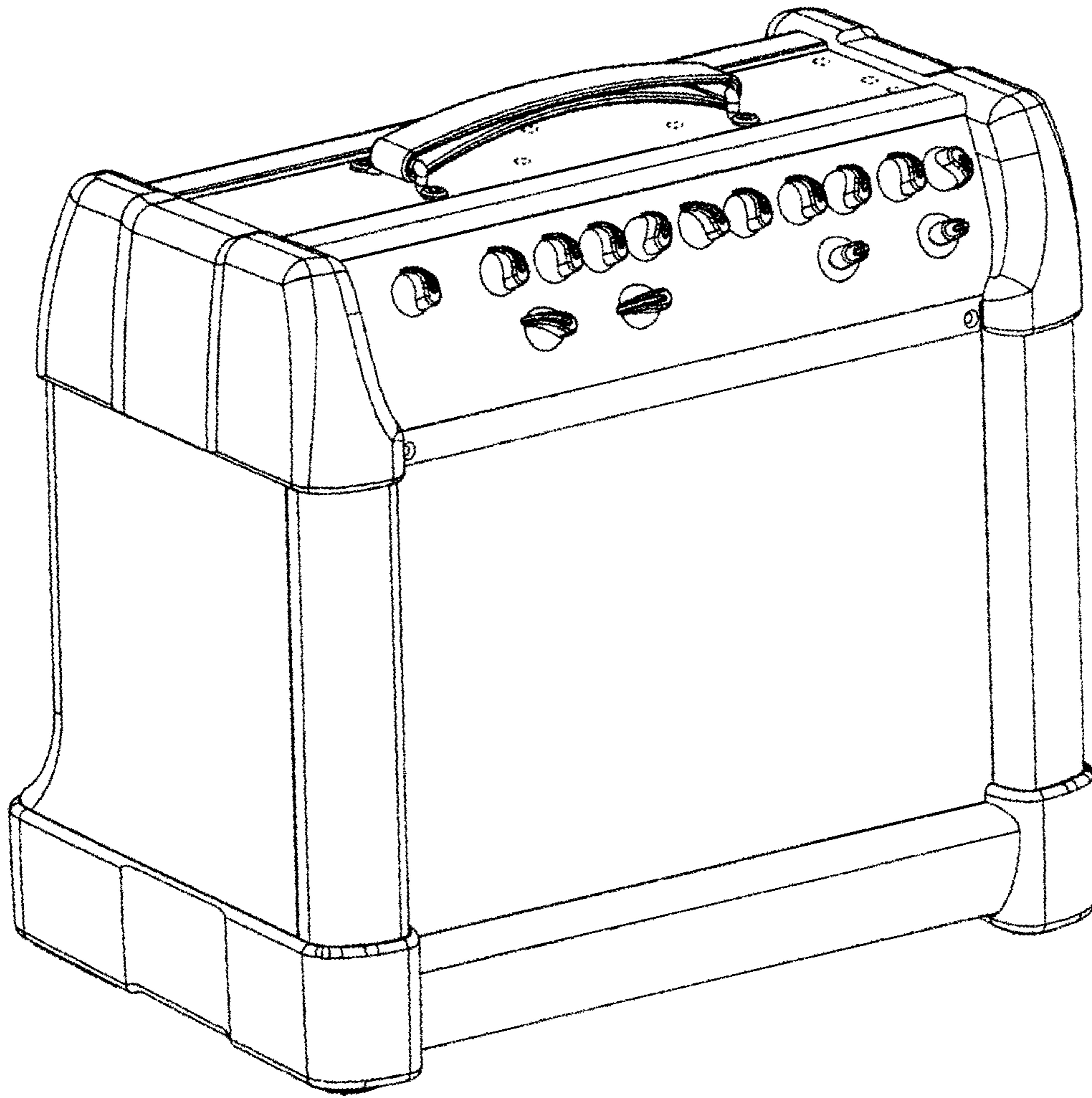


FIG. 1

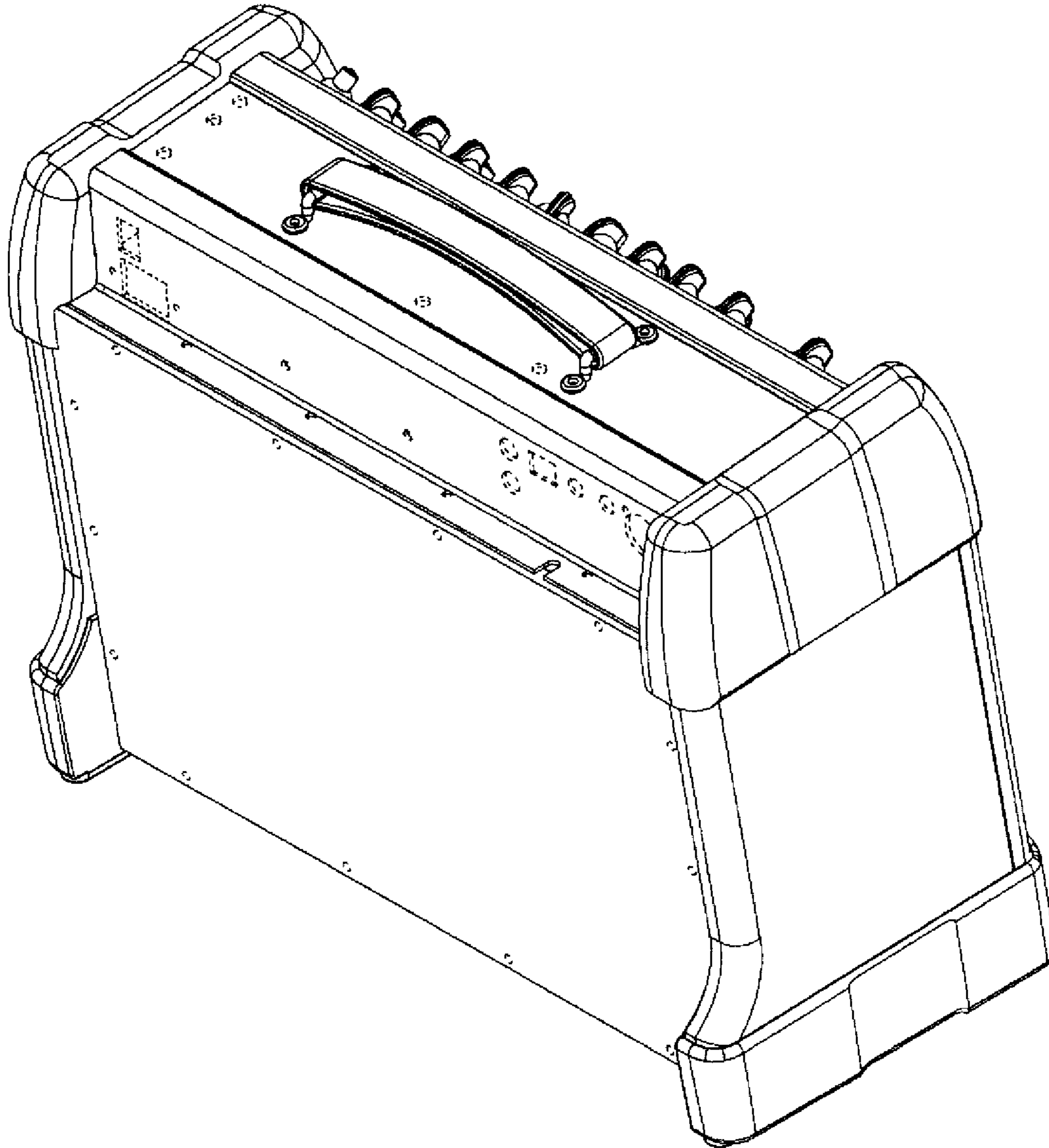


FIG. 2

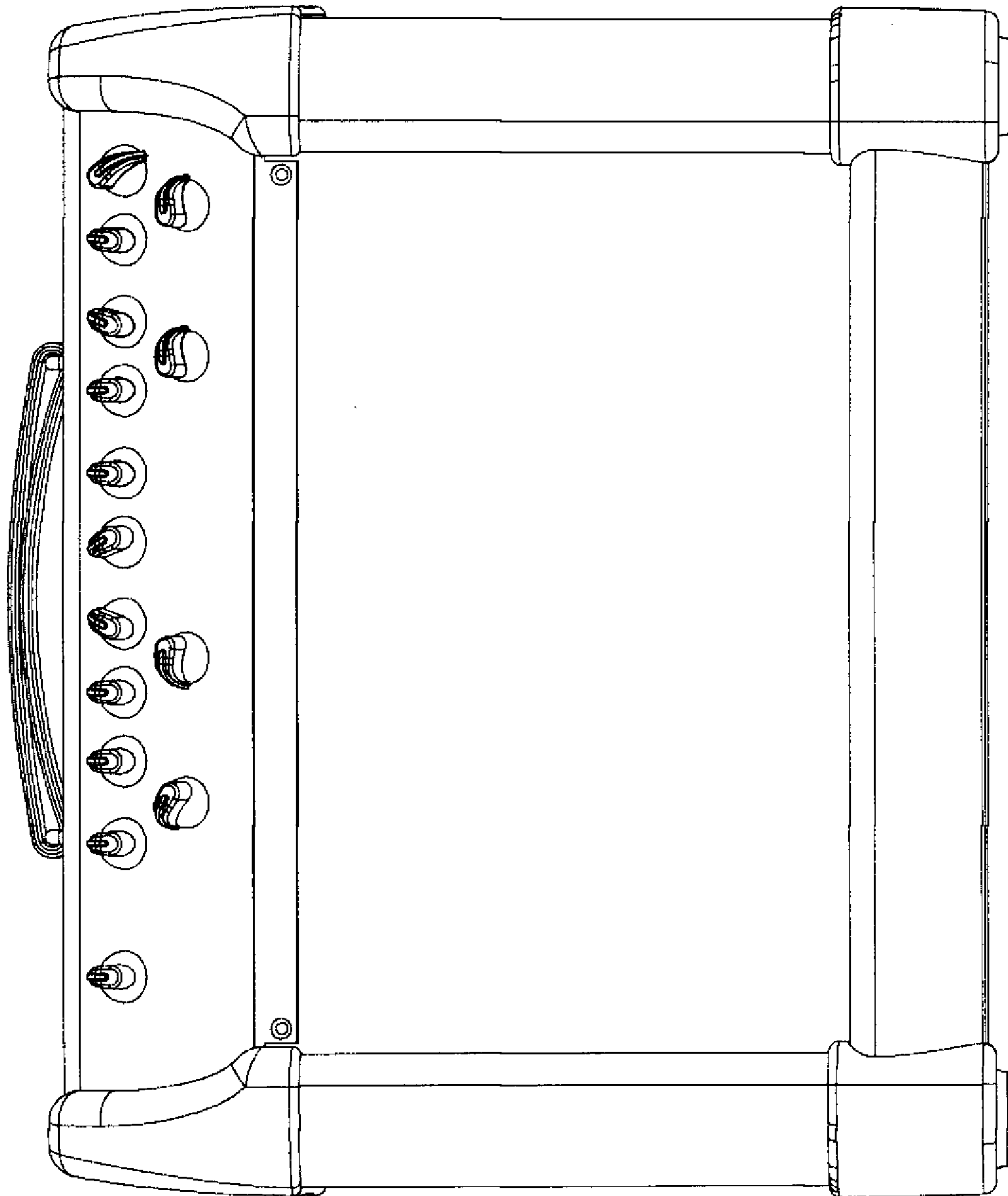


FIG. 3

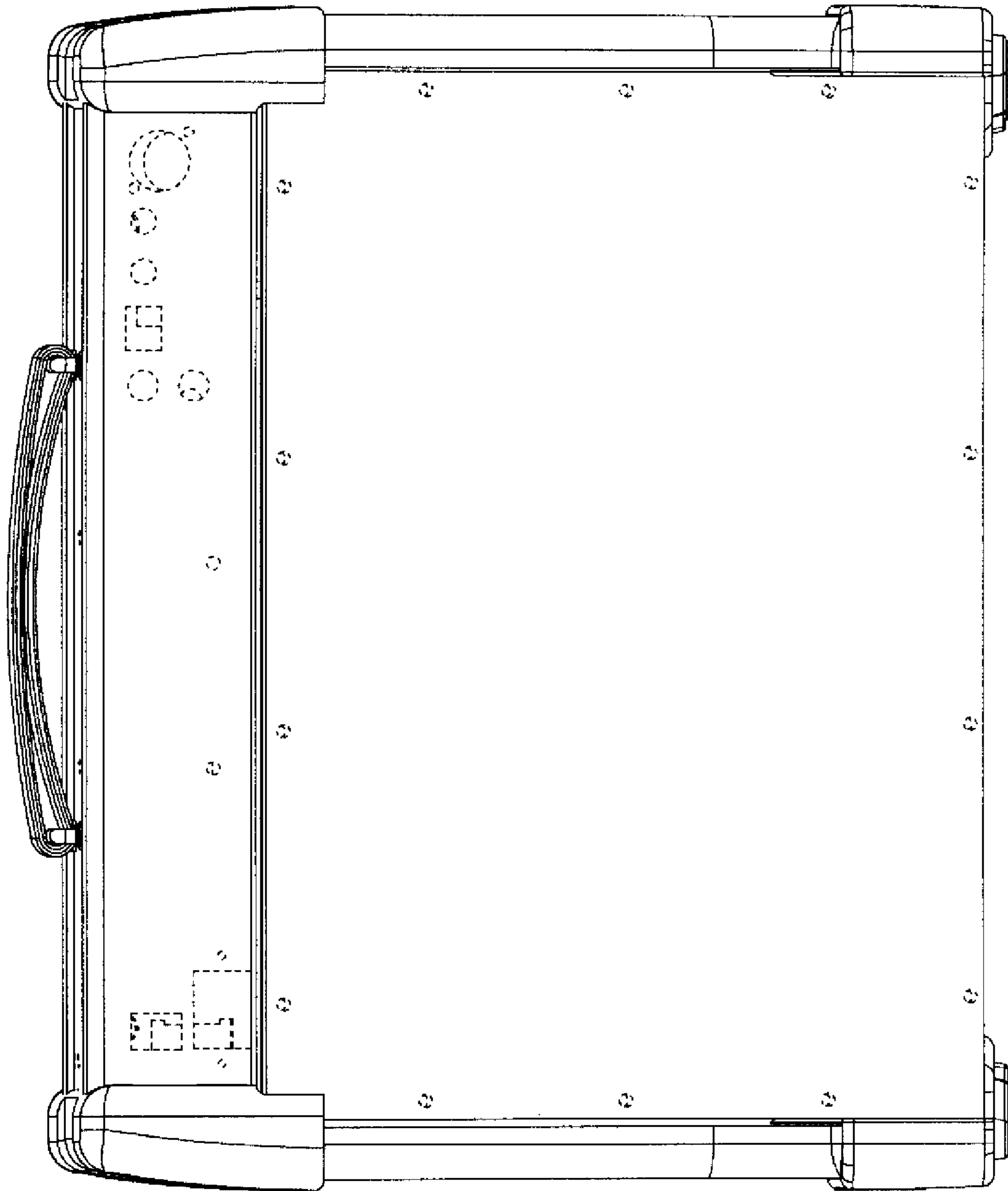


FIG. 4

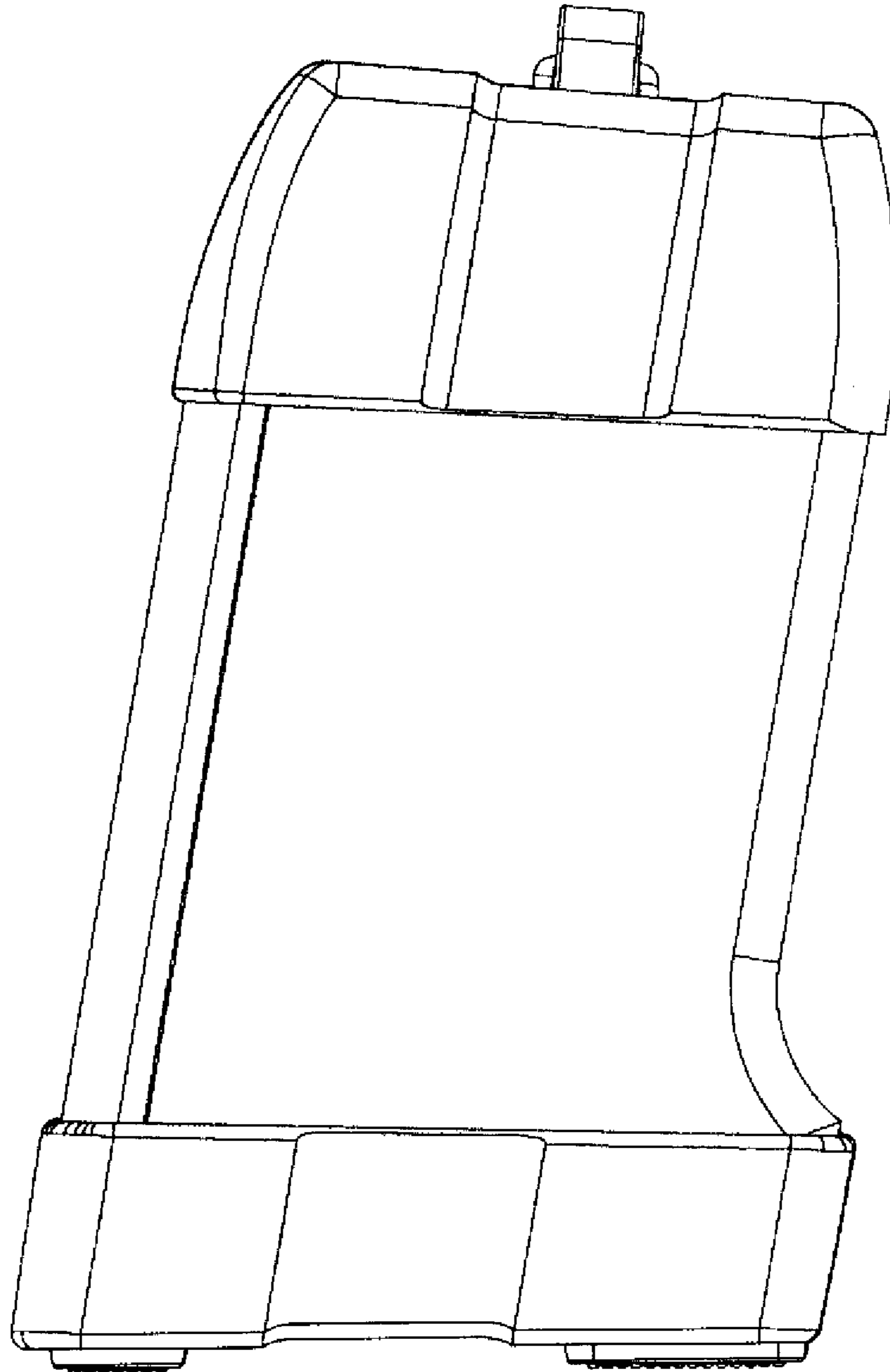


FIG. 5

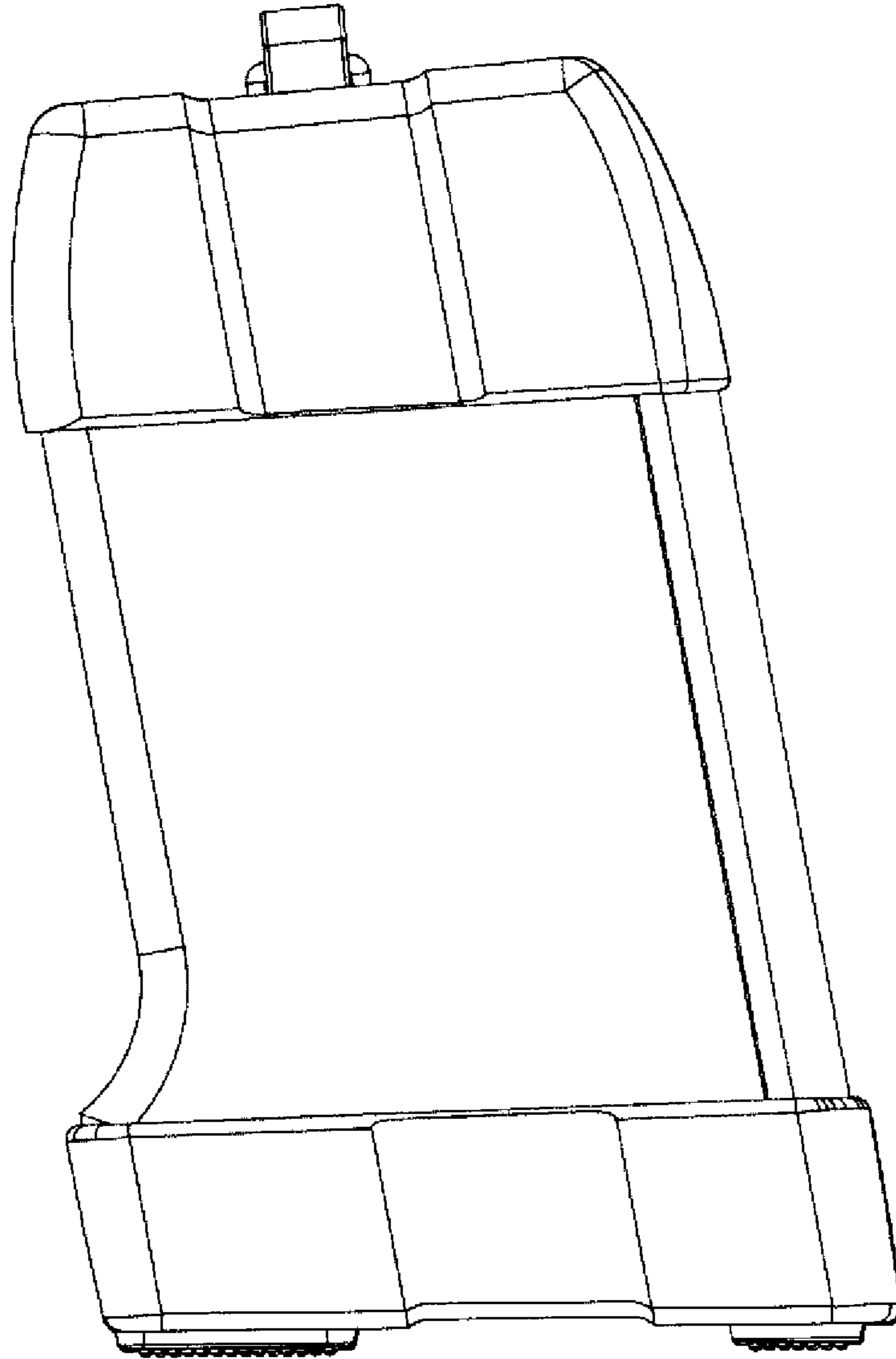


FIG. 6

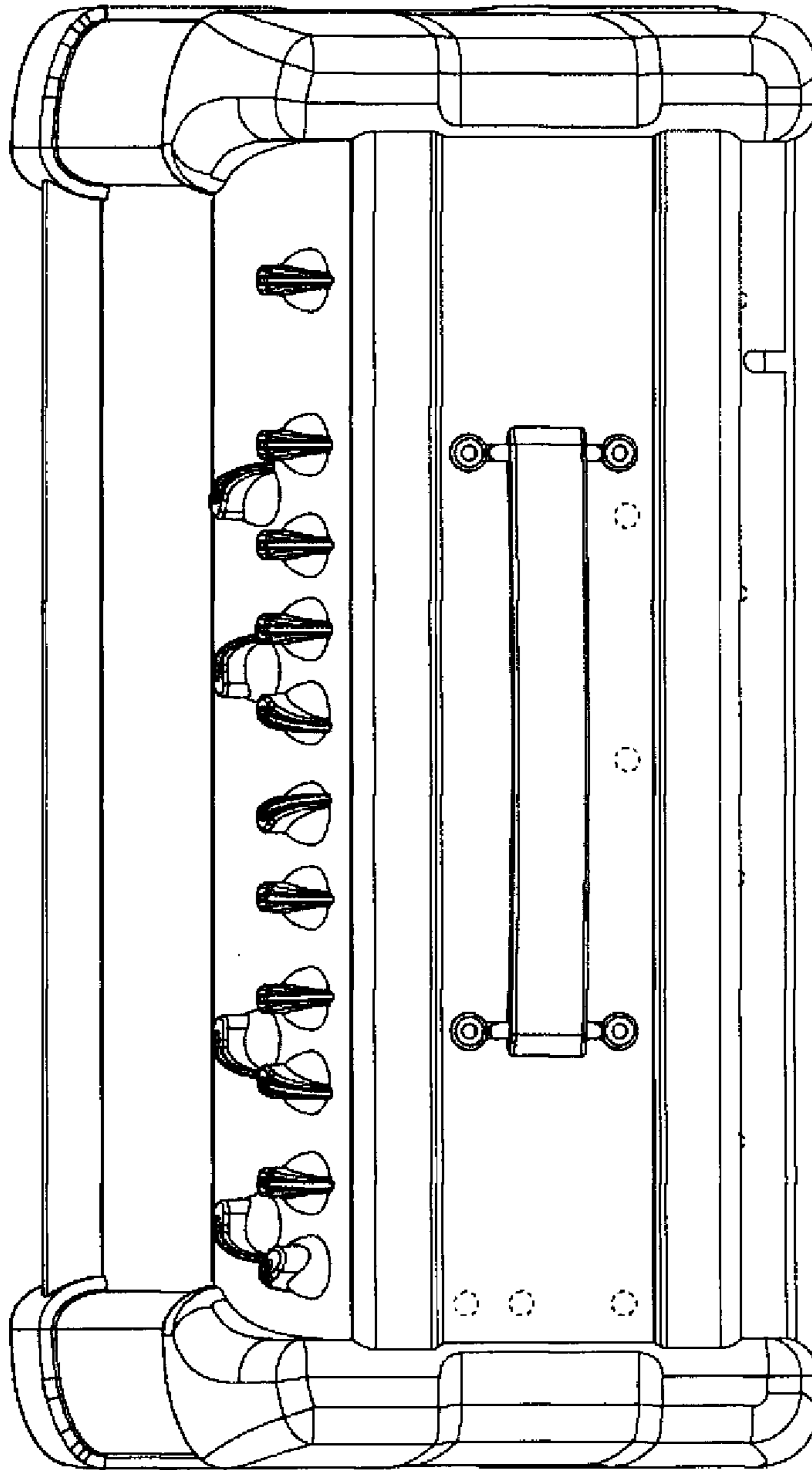


FIG. 7

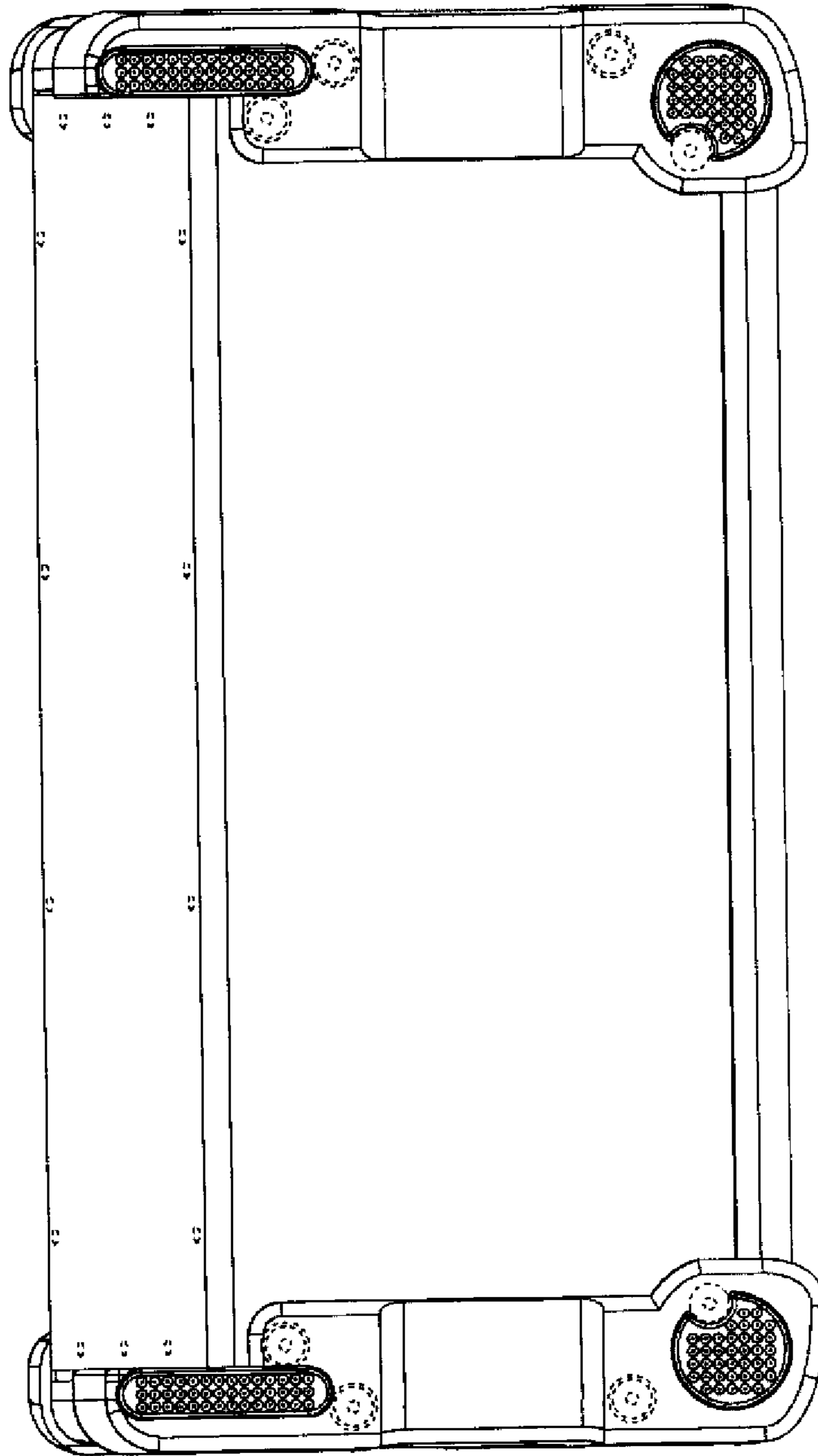


FIG. 8