



US00D689460S

(12) **United States Design Patent**
Chen

(10) **Patent No.:** **US D689,460 S**

(45) **Date of Patent:** **** Sep. 10, 2013**

(54) **SOUND BOX**

(75) Inventor: **Hwang-Miaw Chen**, New Taipei (TW)

(73) Assignee: **Hon Hai Precision Industry Co., Ltd.**,
New Taipei (TW)

(**) Term: **14 Years**

(21) Appl. No.: **29/430,561**

(22) Filed: **Aug. 28, 2012**

(30) **Foreign Application Priority Data**

Aug. 2, 2012 (CN) 2012 3 0359909

(51) **LOC (9) Cl.** **14-01**

(52) **U.S. Cl.**
USPC **D14/172; D14/209.1**

(58) **Field of Classification Search**
USPC D14/204, 204.1, 210–216, 172; 181/143,
181/144, 147, 148, 150–153, 157, 198, 199;
381/300–306, 332, 333, 336, 345, 361–364
See application file for complete search history.

(56) **References Cited**

U.S. PATENT DOCUMENTS

3,512,605 A * 5/1970 McCorkle 381/301
4,070,546 A * 1/1978 Hirota 381/300

4,388,492 A * 6/1983 Sato 381/304
5,146,618 A * 9/1992 Wenner 455/345
5,546,468 A * 8/1996 Beard 381/86
D416,900 S * 11/1999 Yamada D14/168
D536,331 S * 2/2007 Hussaini et al. D14/209.1
D620,923 S * 8/2010 Orfali D14/209.1
D625,288 S * 10/2010 Ueda D14/209.1
D651,193 S * 12/2011 Chang D14/209.1
D659,119 S * 5/2012 Brunner et al. D14/209.1
D678,863 S * 3/2013 Inada D14/209.1

* cited by examiner

Primary Examiner — Prabhakar Deshmukh

(74) *Attorney, Agent, or Firm* — Altis Law Group, Inc.

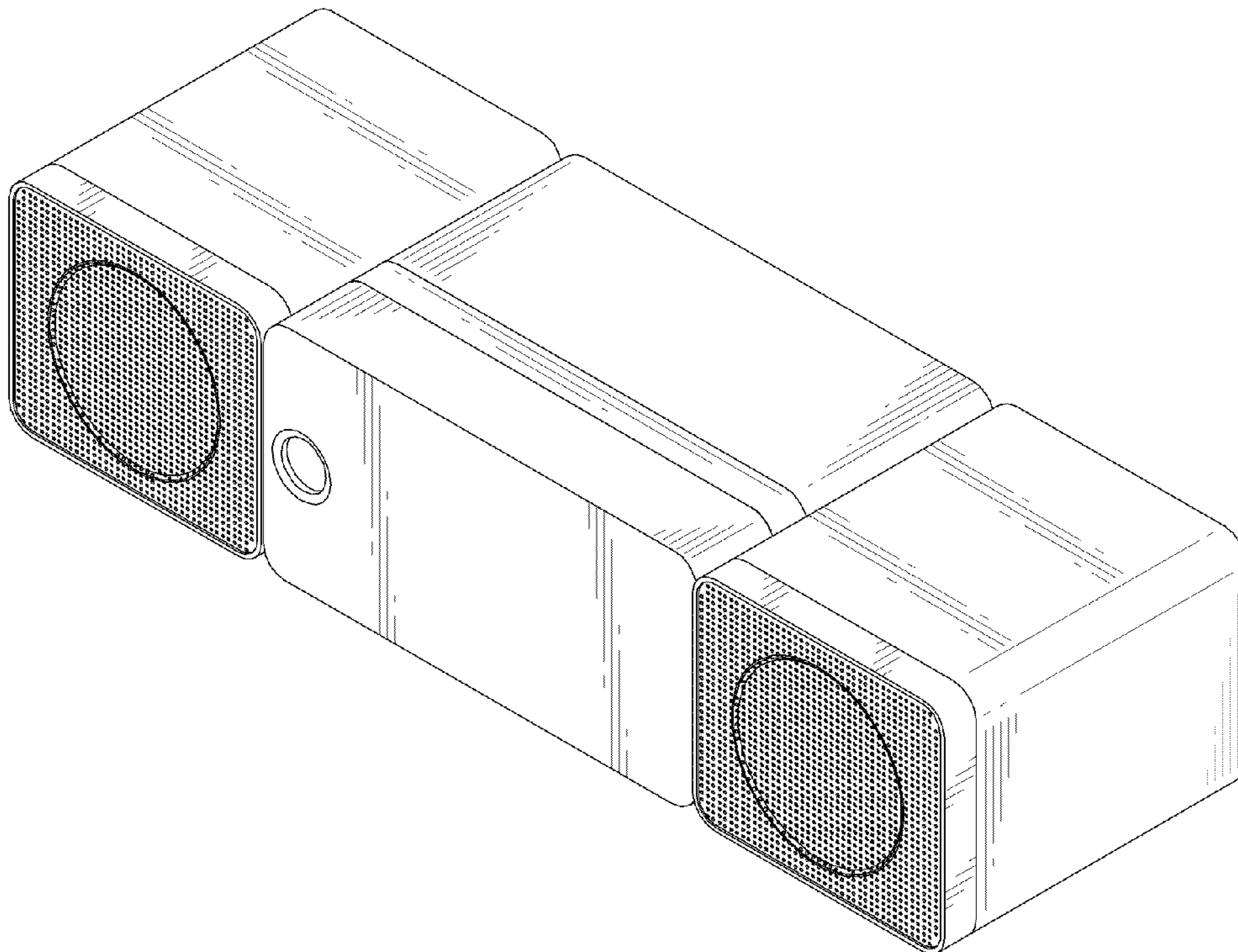
(57) **CLAIM**

The ornamental design for a sound box, as shown.

DESCRIPTION

FIG. 1 is a perspective view of a sound box of my new design;
FIG. 2 is a front elevational view thereof;
FIG. 3 is a rear elevational view thereof;
FIG. 4 is a left side elevational view thereof;
FIG. 5 is a right side elevational view thereof;
FIG. 6 is a top plan view thereof; and,
FIG. 7 is a bottom plan view thereof.

1 Claim, 7 Drawing Sheets



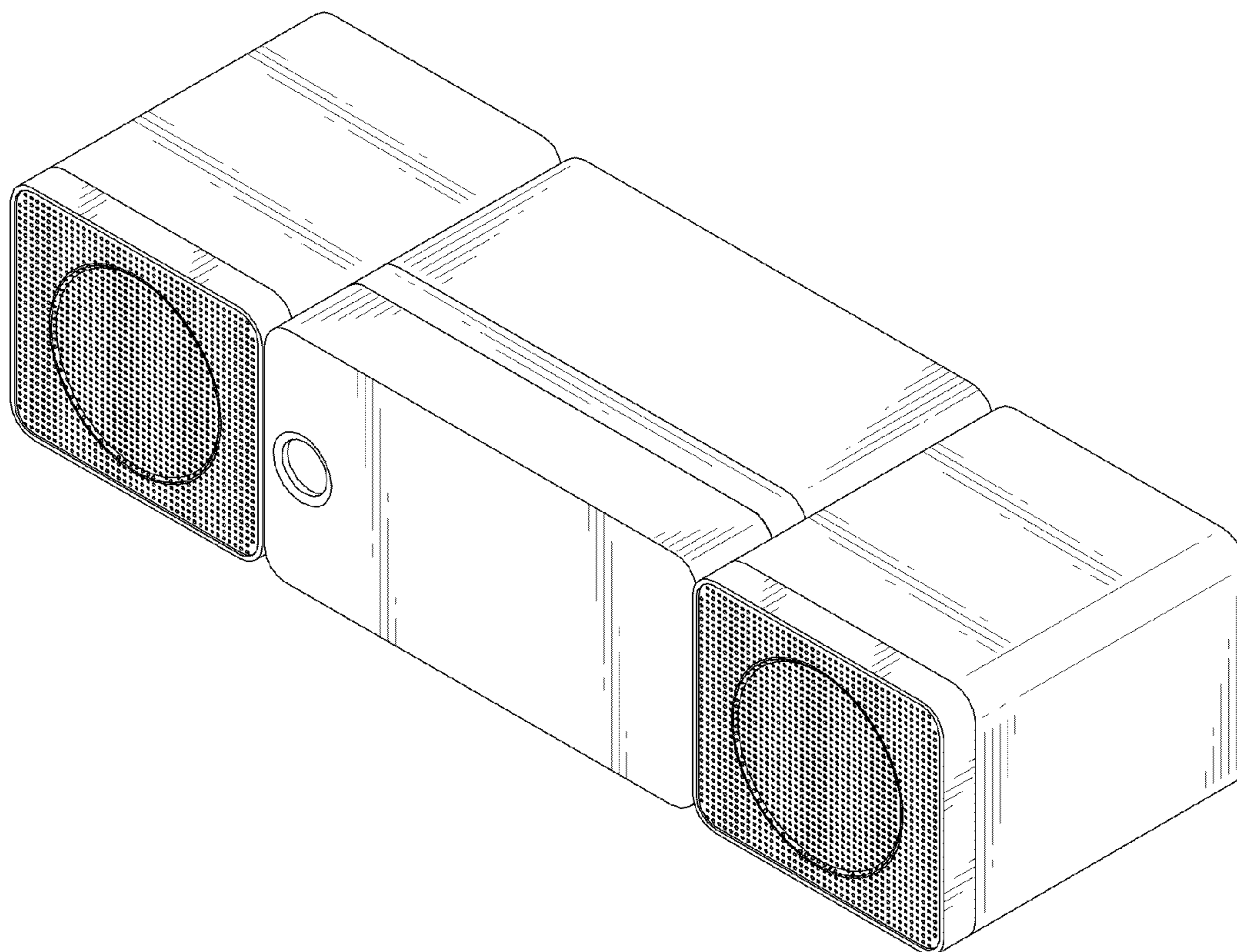


FIG. 1

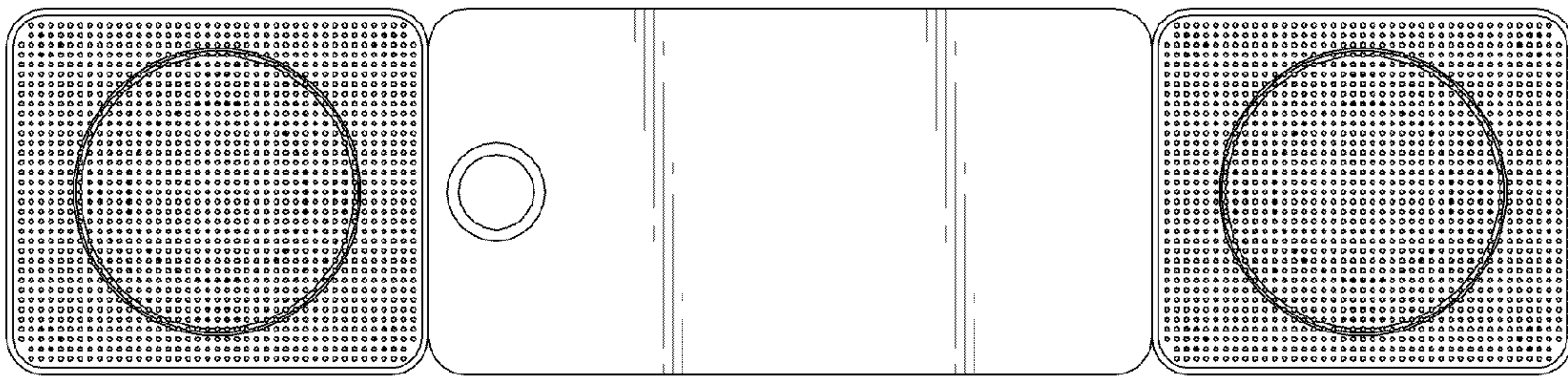


FIG. 2

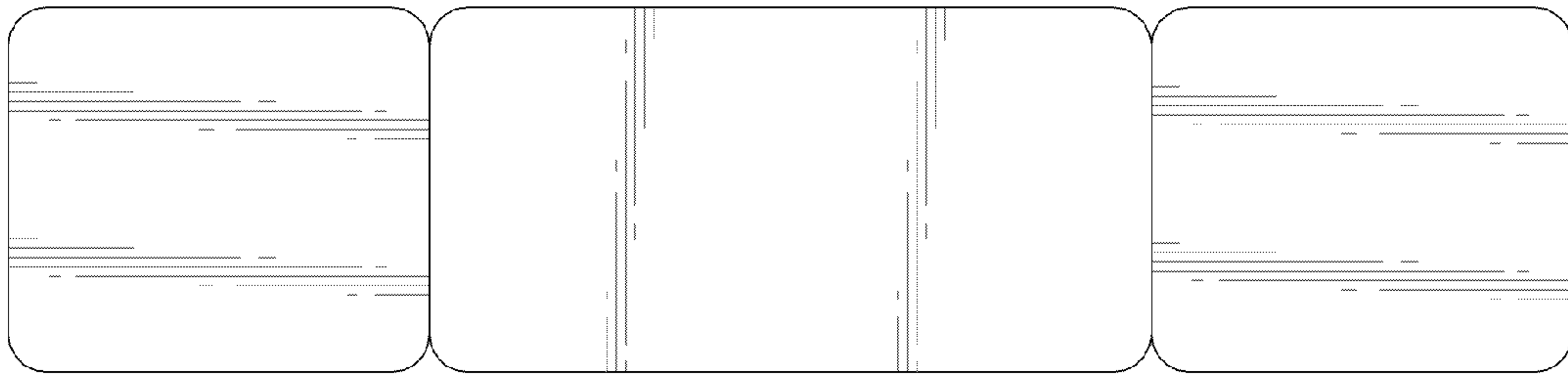


FIG. 3

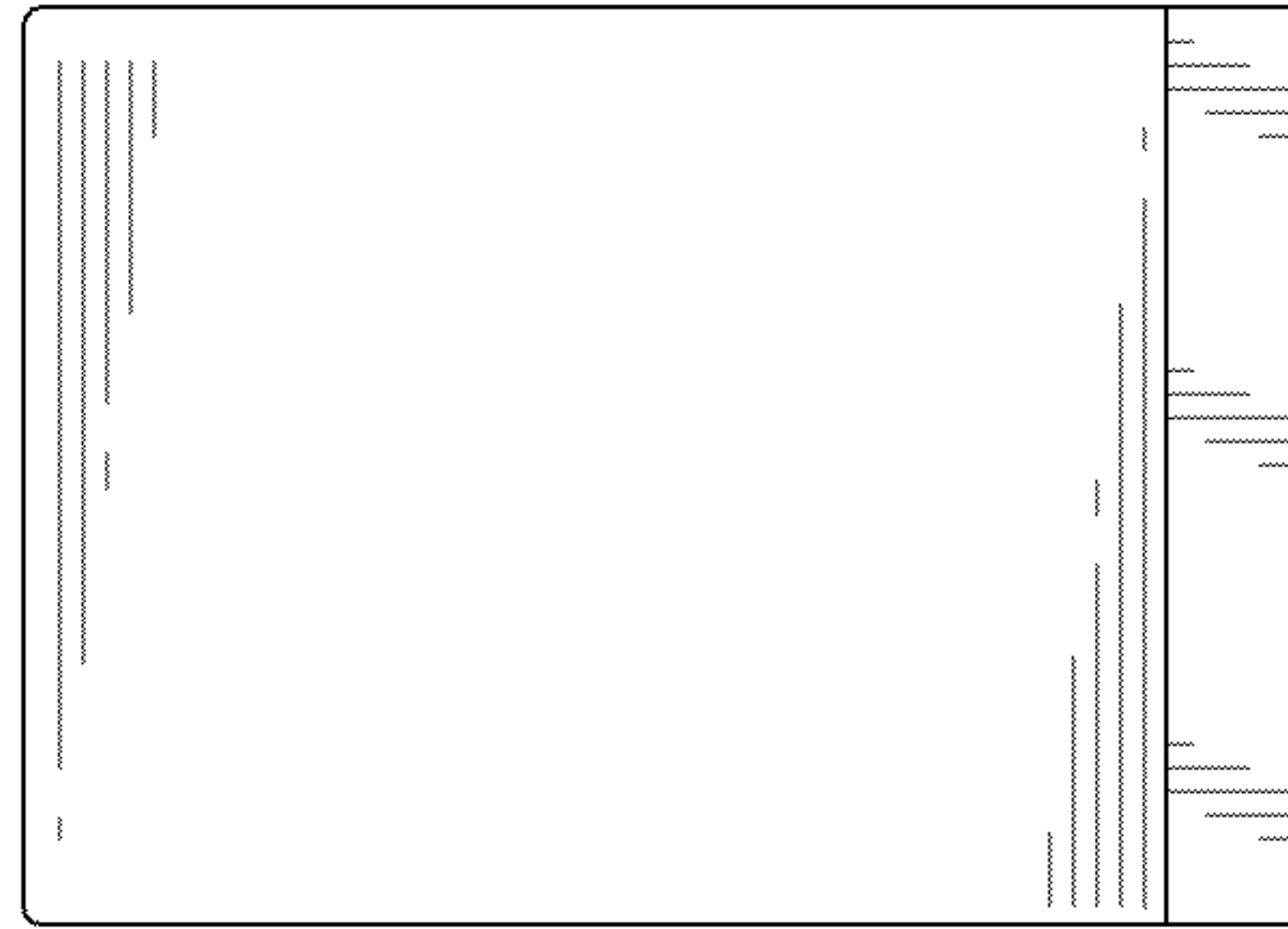


FIG. 4

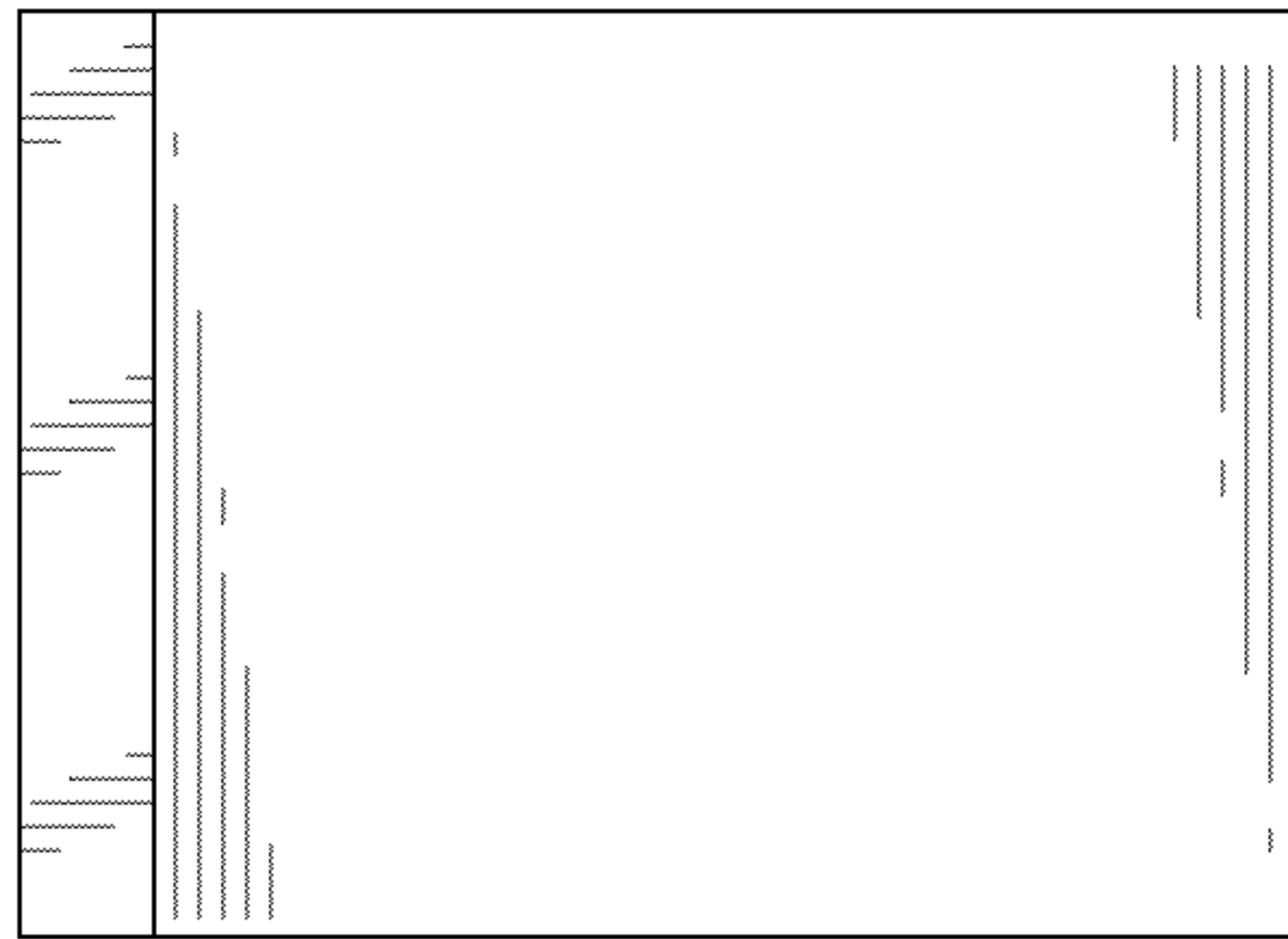


FIG. 5

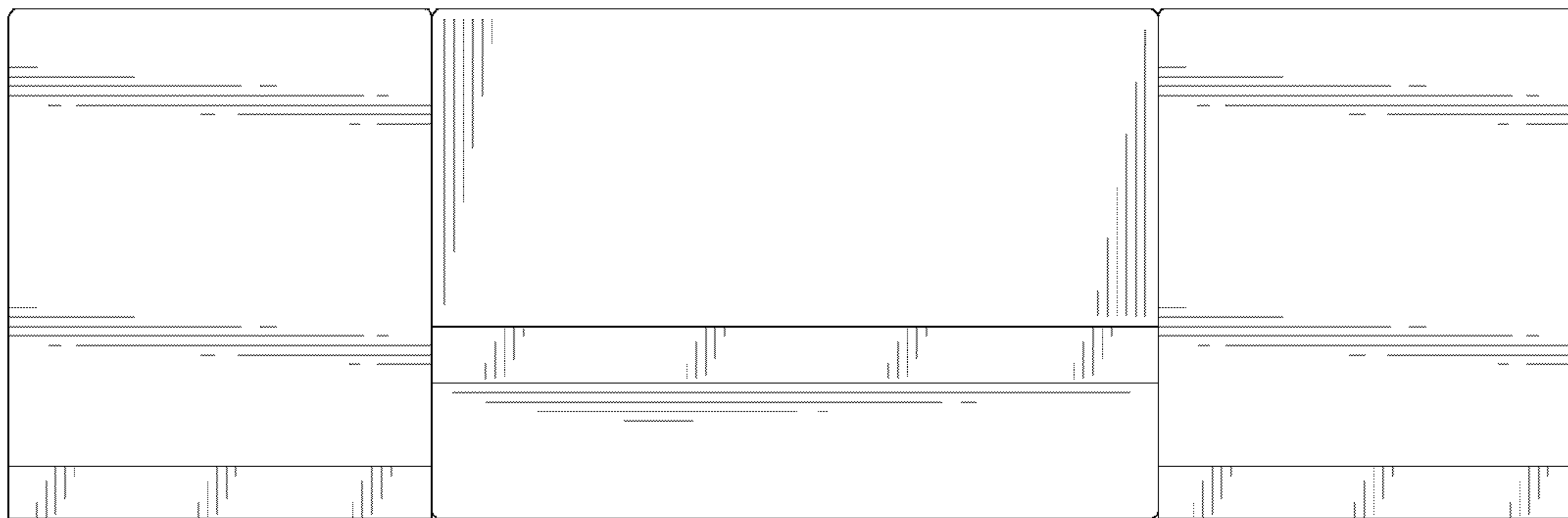


FIG. 6

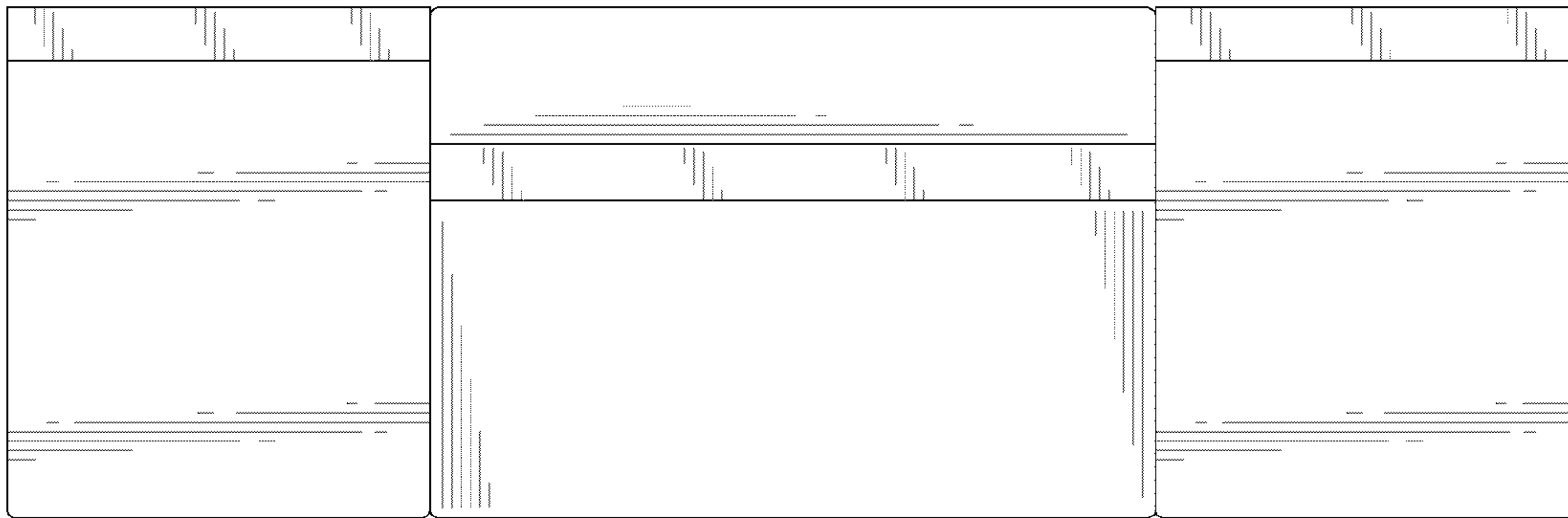


FIG. 7