



US00D689458S

(12) **United States Design Patent**
Yokoyama

(10) **Patent No.:** **US D689,458 S**

(45) **Date of Patent:** **** Sep. 10, 2013**

(54) **AUDIO PLAYER**

(75) Inventor: **Hiroaki Yokoyama**, Tokyo (JP)

(73) Assignee: **Sony Corporation**, Tokyo (JP)

(**) Term: **14 Years**

(21) Appl. No.: **29/371,932**

(22) Filed: **Jan. 30, 2012**

(30) **Foreign Application Priority Data**

Jul. 29, 2011 (CN) 2011 3 0248819

(51) **LOC (9) Cl.** **14-03**

(52) **U.S. Cl.**
USPC **D14/157; D14/258**

(58) **Field of Classification Search**
USPC D14/131, 132, 137, 155, 157, 168-171,
D14/188, 194, 197, 198, 239, 257, 258, 496,
D14/498-508; 455/90.1-90.3, 344-355;
369/6-12

See application file for complete search history.

(56) **References Cited**

U.S. PATENT DOCUMENTS

D445,783 S * 7/2001 Bouchard D14/258
D563,922 S * 3/2008 Shiono D14/505

D565,043 S * 3/2008 Shiono D14/258
D605,660 S * 12/2009 Yagihashi D14/505
D606,097 S * 12/2009 Yokoyama D14/505
D638,415 S * 5/2011 Yokoyama D14/258
D671,520 S * 11/2012 Kanou D14/157
D671,906 S * 12/2012 Kimura D14/157
D672,743 S * 12/2012 Suzuki et al. D14/157
D680,094 S * 4/2013 Kanou D14/157

* cited by examiner

Primary Examiner — Keli L Hill

(74) *Attorney, Agent, or Firm* — Rader, Fishman & Grauer PLLC

(57) **CLAIM**

The ornamental design for an audio player, as shown.

DESCRIPTION

FIG. 1 is a perspective view of an audio player showing my new design;

FIG. 2 is a front elevational view thereof; and

FIG. 3 is a top plan view thereof.

FIG. 4 is a perspective view of another embodiment of an audio player showing my new design;

FIG. 5 is a front elevational view thereof; and,

FIG. 6 is a top plan view thereof.

1 Claim, 6 Drawing Sheets

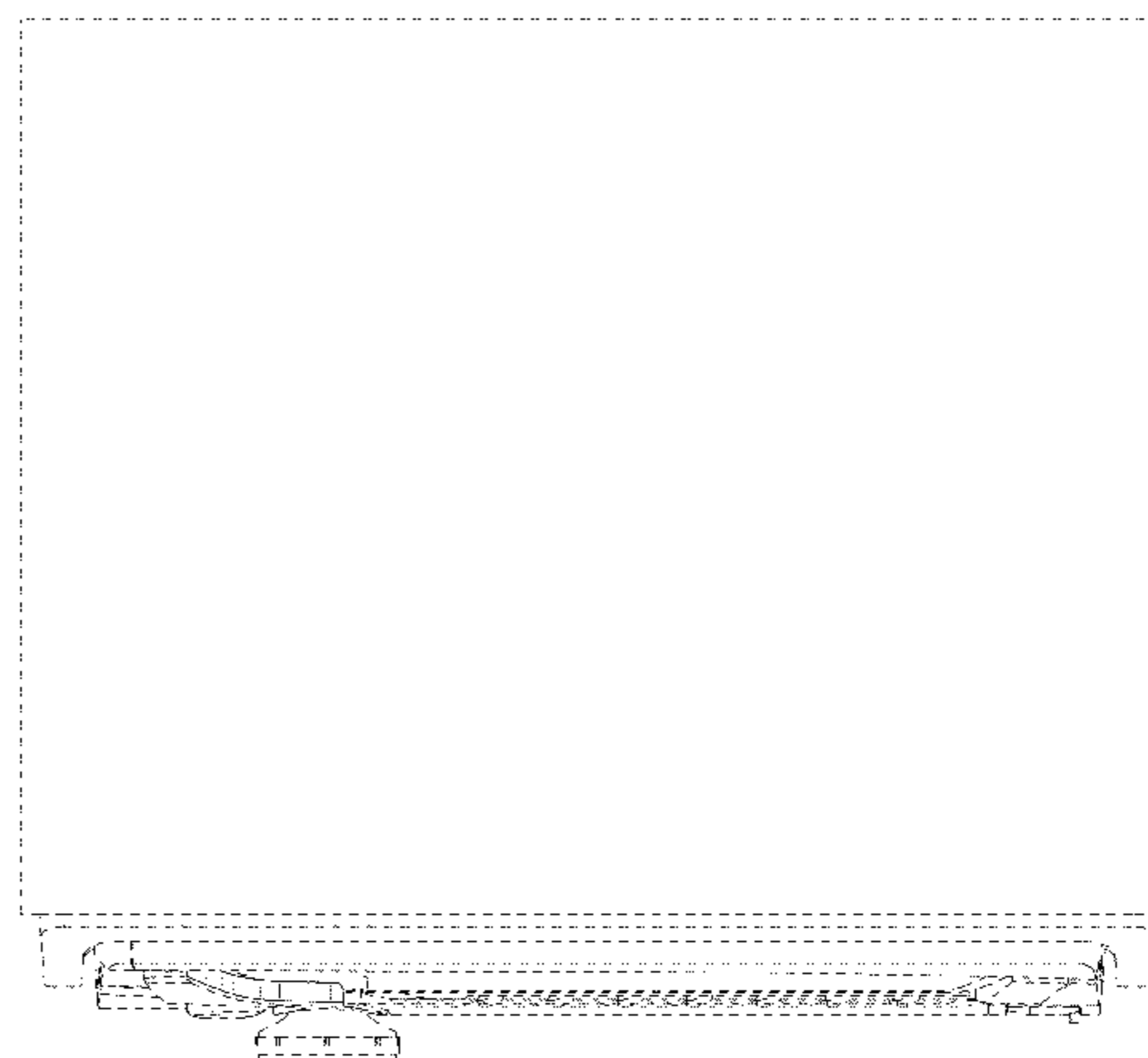
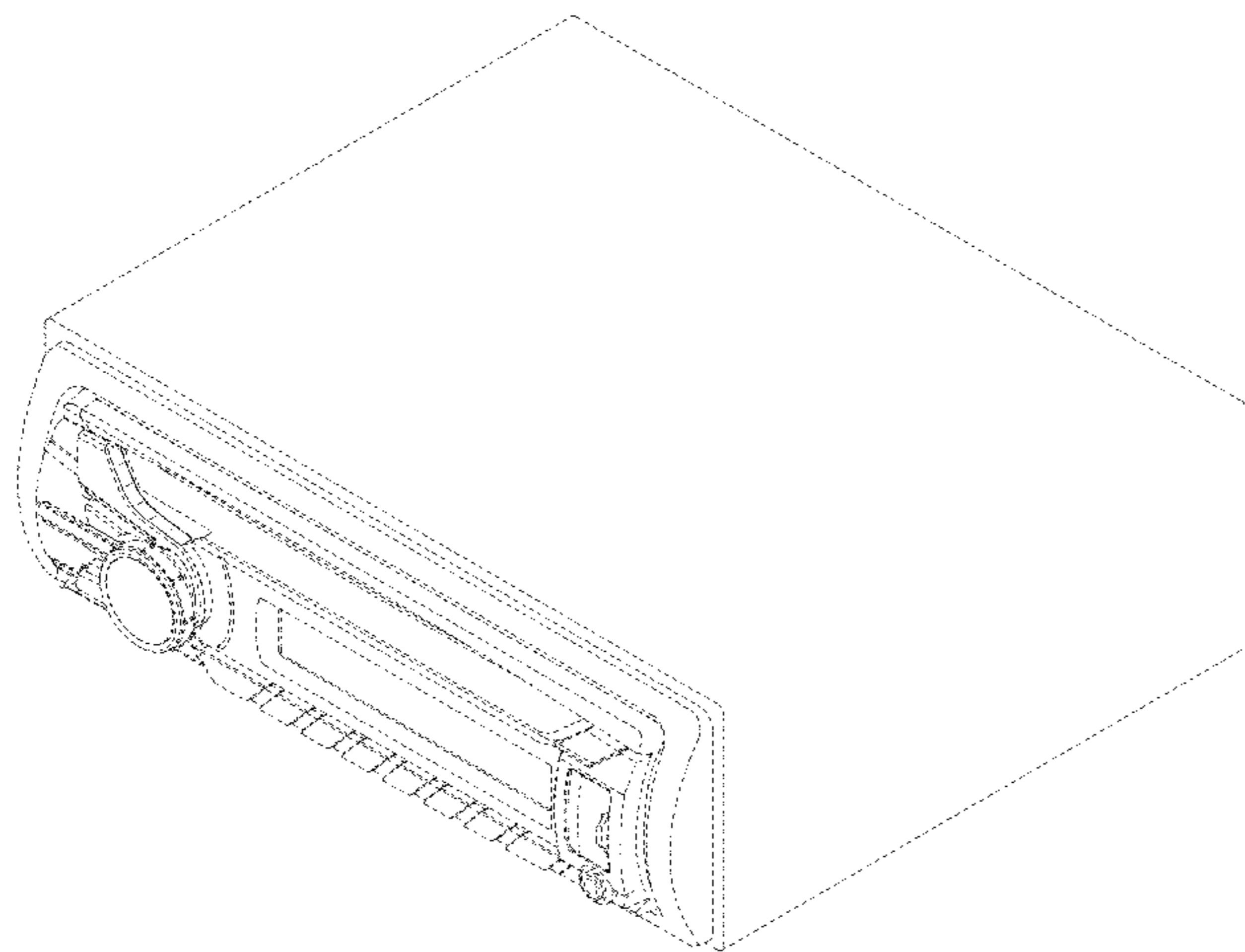


FIG.1

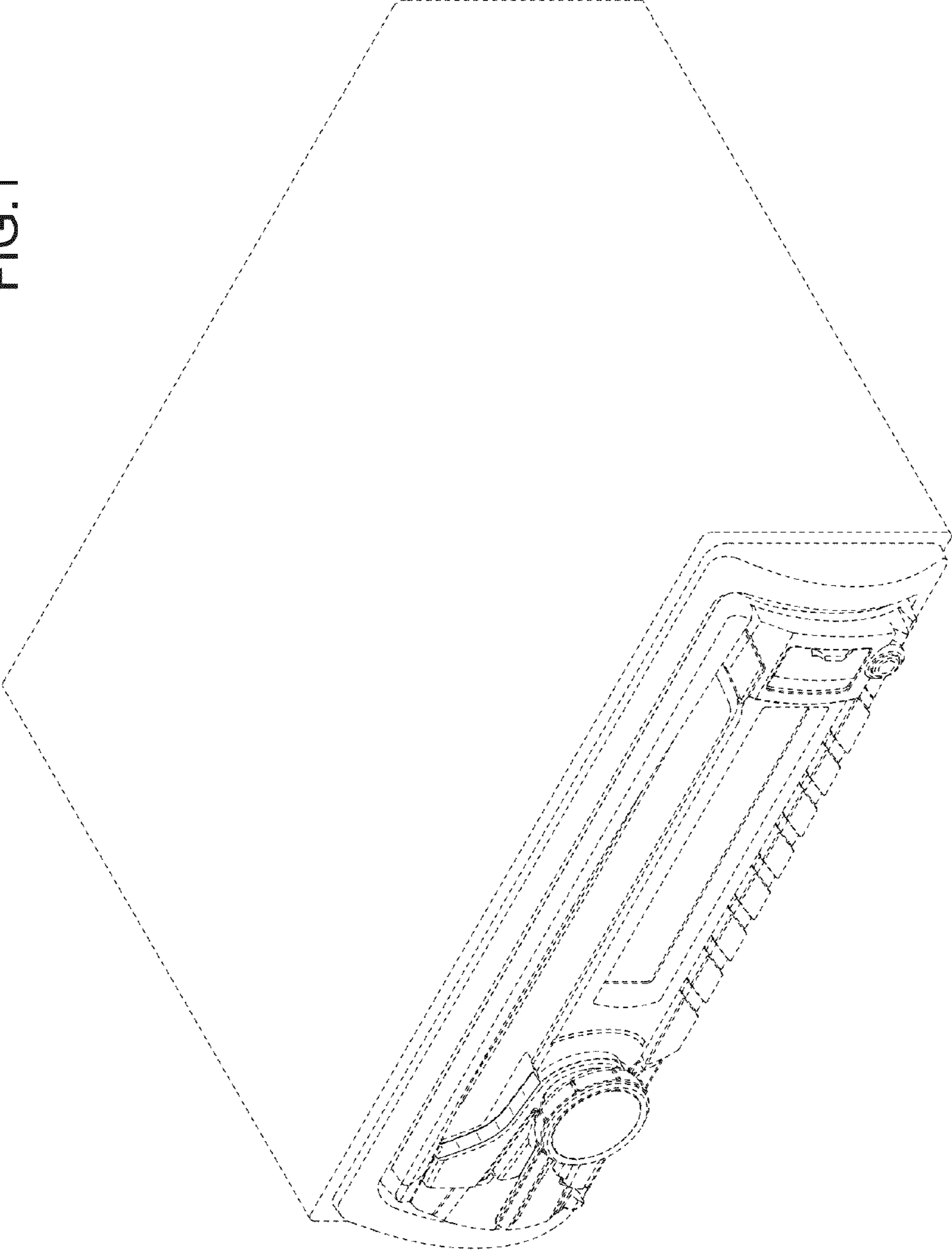


FIG.2

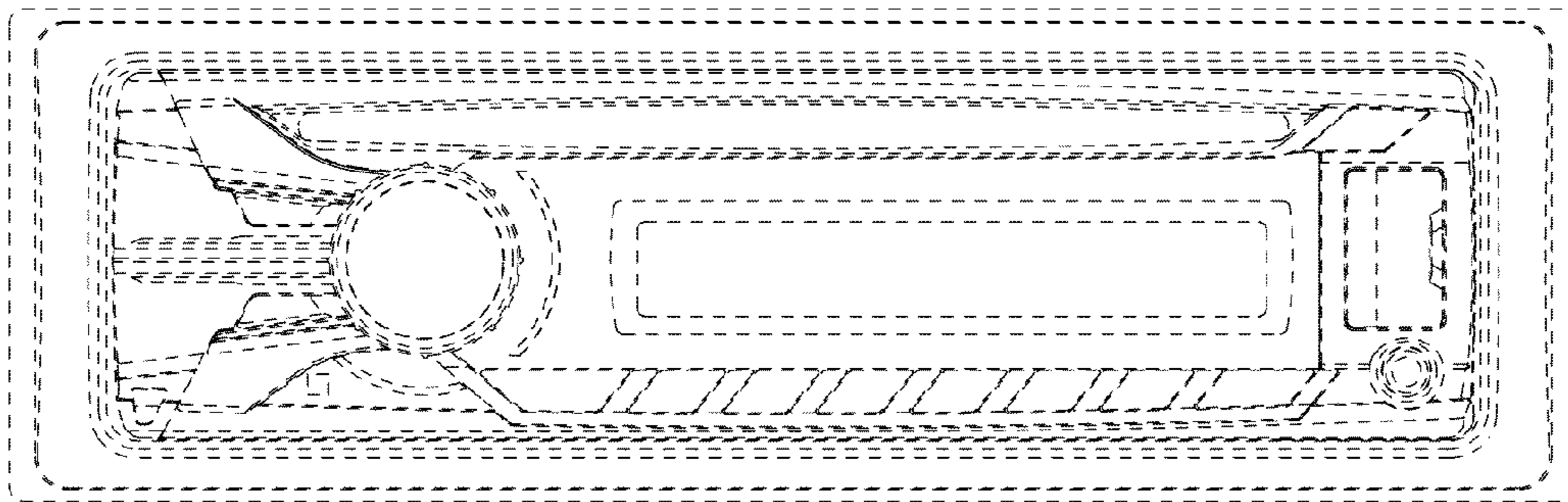


FIG.3

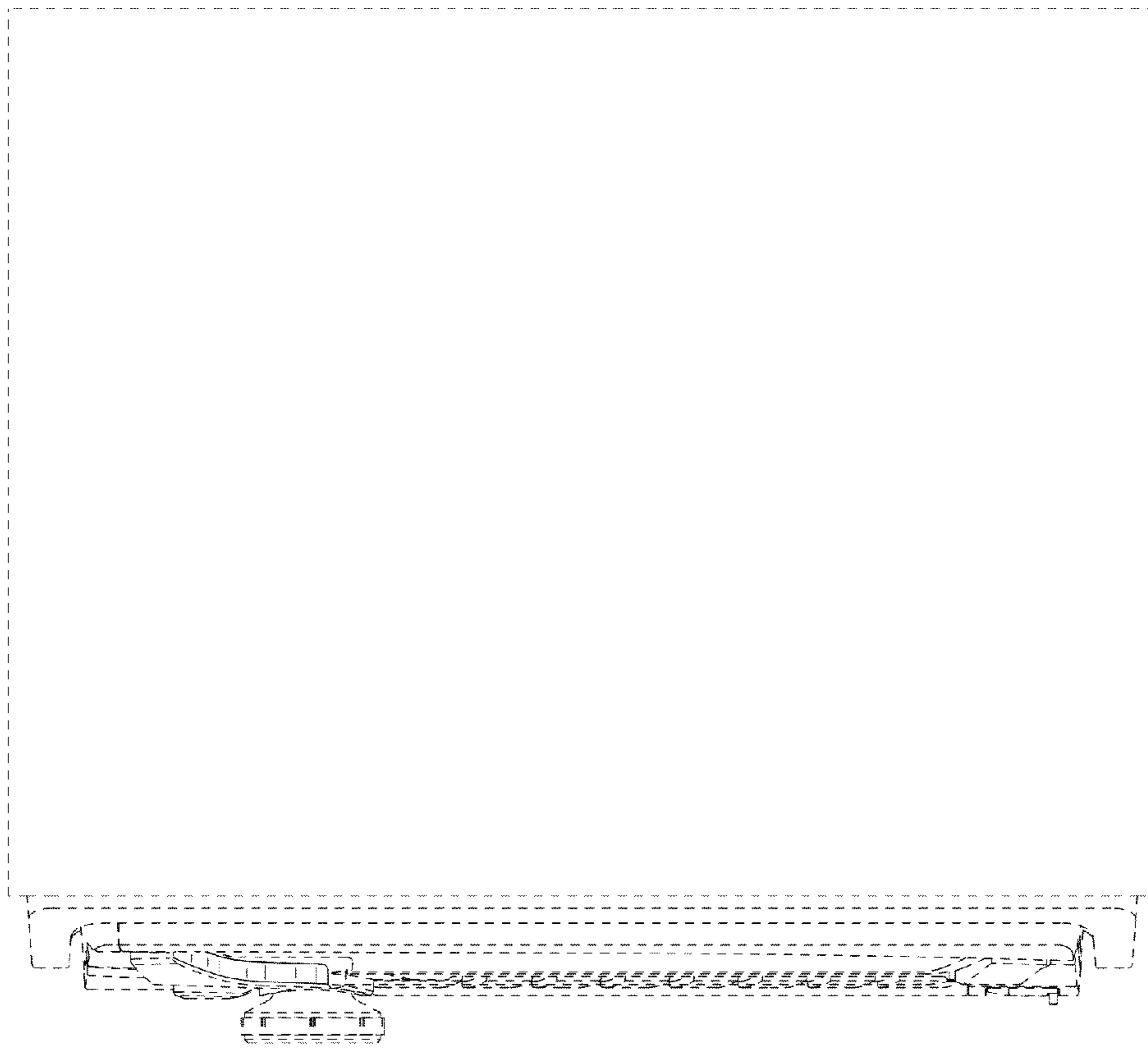


FIG.4

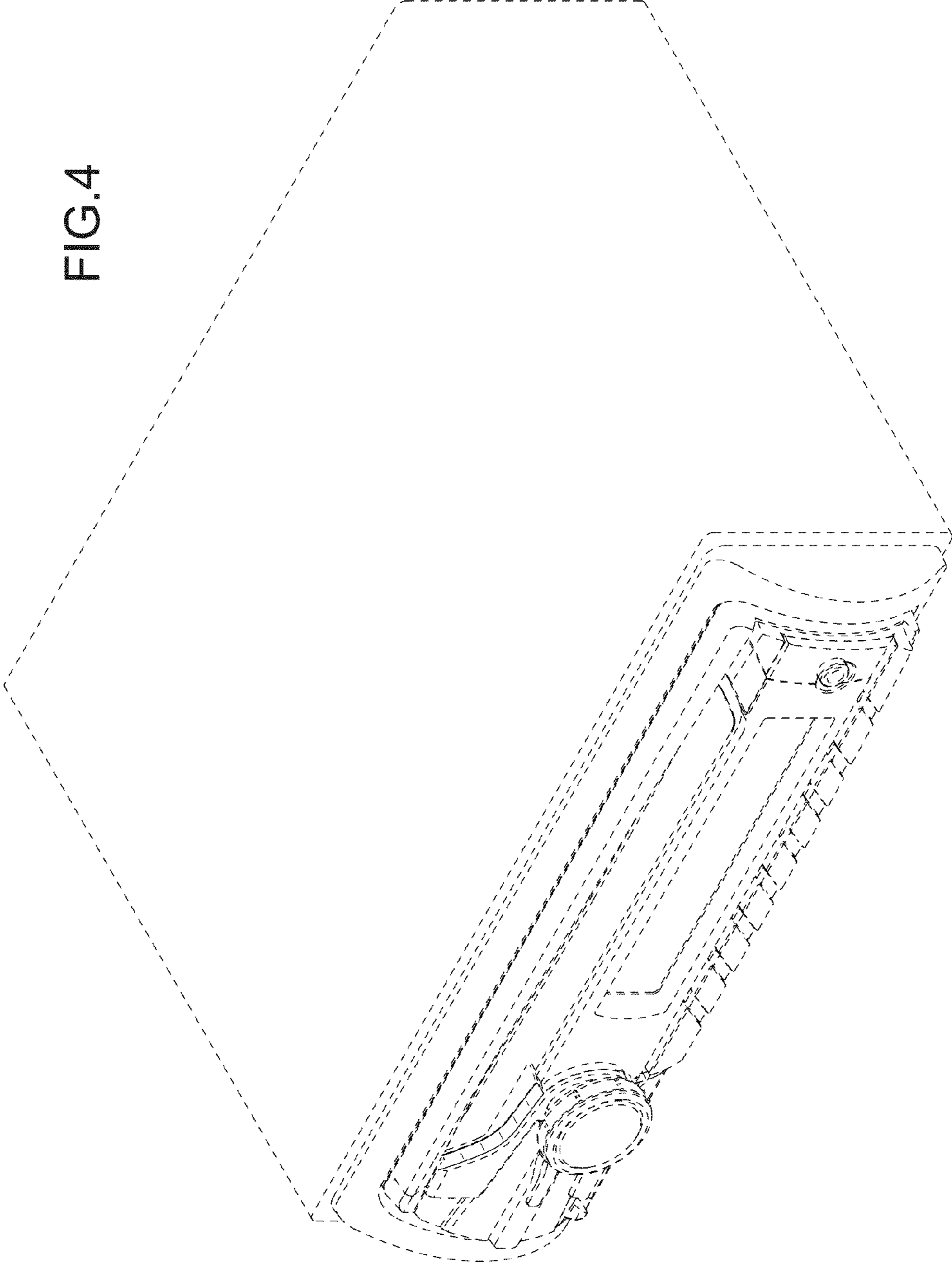


FIG.5

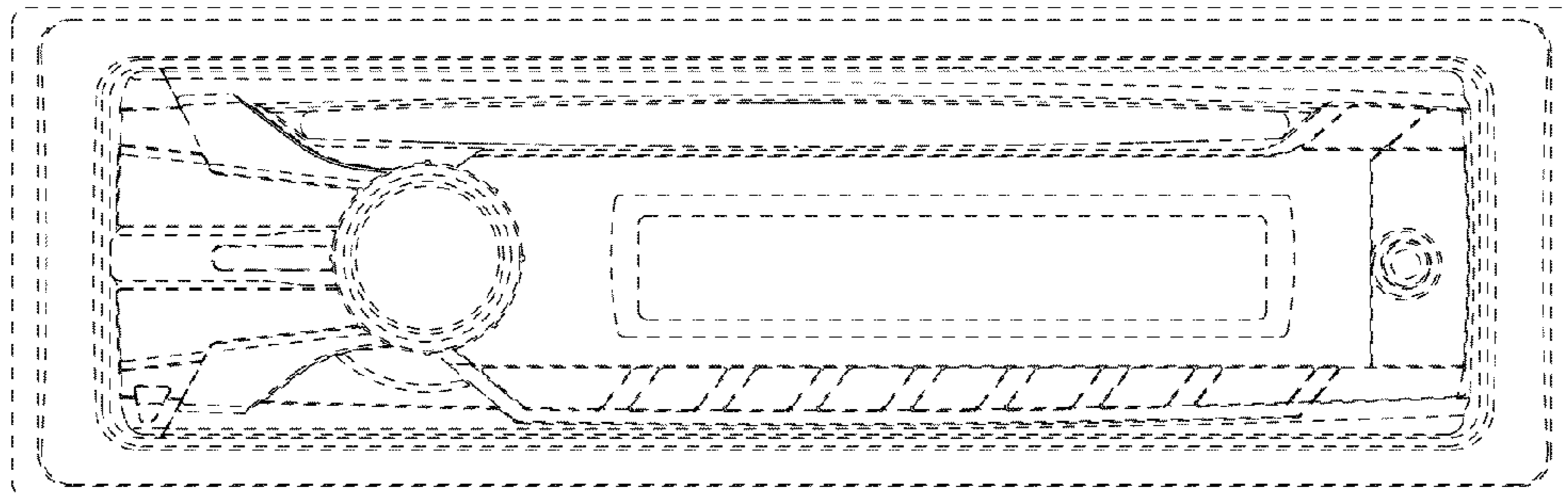


FIG.6

