



US00D689455S

(12) **United States Design Patent**
Daniel

(10) **Patent No.:** **US D689,455 S**

(45) **Date of Patent:** **** Sep. 10, 2013**

(54) **DUAL SCREEN COMMUNICATION DEVICE**

(76) Inventor: **Isaac S. Daniel**, Miramar, FL (US)

(**) Term: **14 Years**

(21) Appl. No.: **29/407,627**

(22) Filed: **Nov. 30, 2011**

Related U.S. Application Data

(63) Continuation-in-part of application No. 29/397,352, filed on Jul. 14, 2011, now Pat. No. Des. 655,685.

(51) **LOC (9) Cl.** **14-03**

(52) **U.S. Cl.**
USPC **D14/138 G**; D10/65

(58) **Field of Classification Search**
USPC D14/138 G, 138 AD, 341, 346, 138 R,
D14/138 AC, 496, 203.1, 203.4, 203.7, 248,
D14/218; 455/575.1, 556.2, 575.3, 575.4;
D21/517; 379/433.01, 433.04; D10/65,
D10/78, 104; D13/168

See application file for complete search history.

(56) **References Cited**

U.S. PATENT DOCUMENTS

| | | | | |
|----------------|---------|----------------|-------|------------|
| D270,065 S * | 8/1983 | Ackeret | | D6/308 |
| 6,427,078 B1 * | 7/2002 | Wilska et al. | | 455/550.1 |
| D505,676 S * | 5/2005 | Porter et al. | | D14/388 |
| D562,795 S * | 2/2008 | Nara | | D14/138 AD |
| D578,987 S * | 10/2008 | Lee et al. | | D14/138 AD |
| D592,084 S * | 5/2009 | Stevens et al. | | D10/65 |
| D605,157 S * | 12/2009 | Kim et al. | | D14/138 G |
| D611,942 S * | 3/2010 | Kemery | | D14/341 |
| D613,715 S * | 4/2010 | Hsu | | D14/138 AD |
| D617,755 S * | 6/2010 | Leinvuo | | D14/138 G |
| D618,201 S * | 6/2010 | Hachiya | | D14/138 G |
| D620,467 S * | 7/2010 | Aarras | | D14/138 G |

(Continued)

OTHER PUBLICATIONS

Nokia N950 telephone, announced Jun. 2011, [online], [site visited Mar. 19, 2013]. Available from Internet, <URL: http://www.gsmarena.com/nokia_n950-3997.php>.*

(Continued)

Primary Examiner — Jeffrey D Asch

(74) *Attorney, Agent, or Firm* — Carol N. Green, Esq.

(57) **CLAIM**

The ornamental design for a dual screen communication device, as shown and described.

DESCRIPTION

FIG. 1 is a front right side perspective view of the dual screen communication device.

FIG. 2 is a bottom rear perspective view of the dual screen communication device.

FIG. 3 is a front elevation view of the dual screen communication device.

FIG. 4 is a rear elevation view of the dual screen communication device.

FIG. 5 is a top plan view of the dual screen communication device.

FIG. 6 is a bottom plan view of the dual screen communication device.

FIG. 7 is a left elevation view of the dual screen communication device.

FIG. 8 is a right side view of the dual screen communication device.

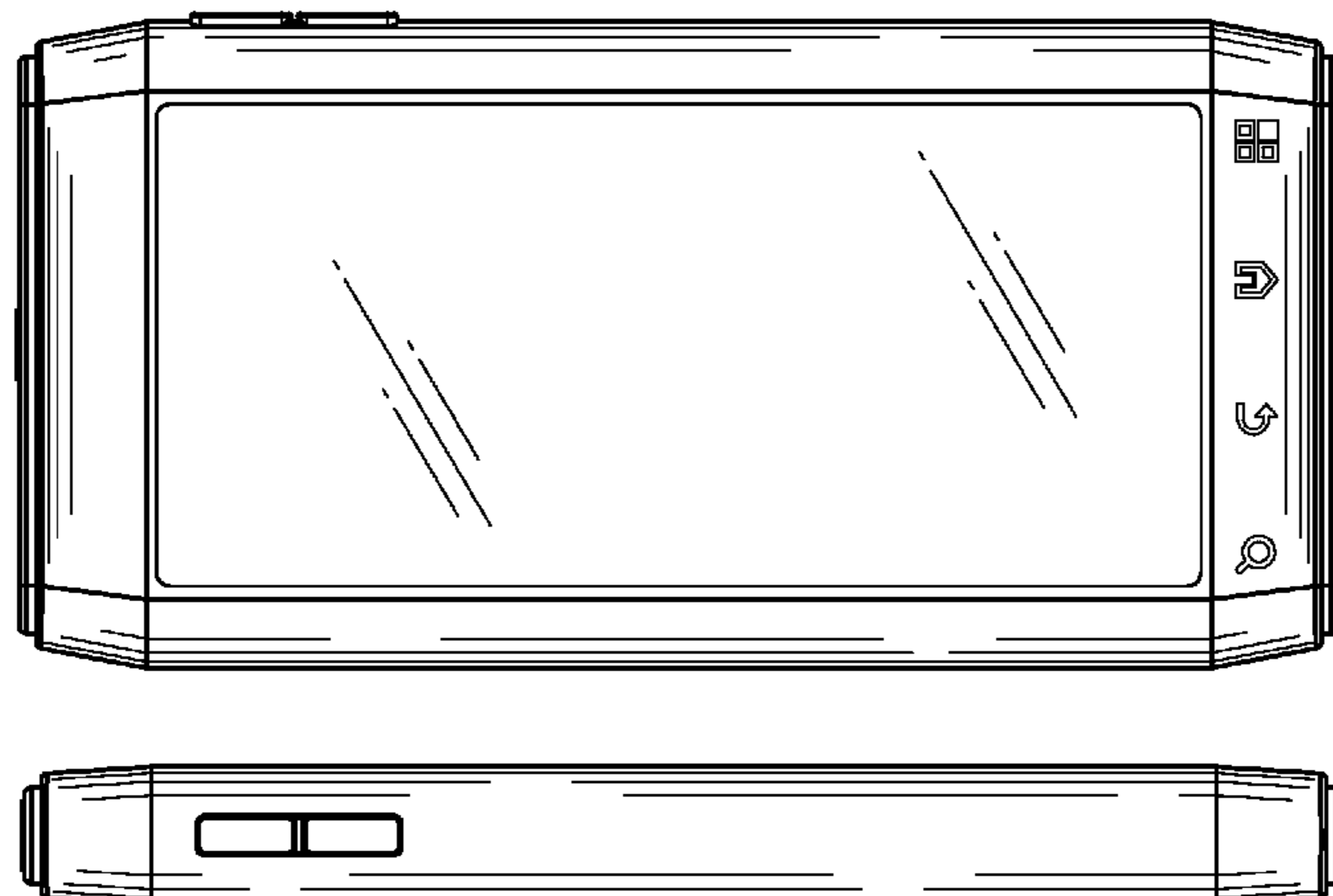
FIG. 9 is a front elevation view of the dual screen communication device in use displaying coded messages being communicated.

FIG. 10 is a rear elevation view of the dual screen communication device in use; and,

FIG. 11 is a top front left side perspective view of the dual screen communication device within a holder.

The broken lines showing displayed information in FIGS. 9 and 10 and the broken lines showing a holder in FIG. 11 are directed to environment and are for illustrative purposes only; the broken lines form no part of the claimed design.

1 Claim, 6 Drawing Sheets



(56)

References Cited

U.S. PATENT DOCUMENTS

D634,290 S * 3/2011 Landwehr D14/138 G
 D636,752 S * 4/2011 Liao et al. D14/138 G
 D640,690 S * 6/2011 Hsieh et al. D14/346
 D646,250 S * 10/2011 Han et al. D14/138 G
 D646,271 S * 10/2011 Tsou D14/341
 D652,403 S * 1/2012 Fahlgren et al. D14/138 G
 D655,685 S * 3/2012 Daniel D14/138 AA
 D663,279 S * 7/2012 Kim et al. D14/138 G
 D669,050 S * 10/2012 Lyles et al. D14/138 G
 D669,447 S * 10/2012 Hong D14/138 G
 D669,892 S * 10/2012 Hofer et al. D14/341
 D677,232 S * 3/2013 Park D14/138 G
 2008/0227505 A1 * 9/2008 Jang et al. 455/575.1

OTHER PUBLICATIONS

Mitac MIO Leap K1 telephone, announced Jun. 2008, [online], [site visited Mar. 19, 2013]. Available from Internet, <URL: http://www.gsmarena.com/mitac_mio_leap_k1-3207.php>.*

Nokia T7 telephone, announced Jun. 2011, [online], [site visited Mar. 19, 2013]. Available from Internet, <URL: http://www.gsmarena.com/nokia_t7-3915.php>.*

Nokia 500 telephone, announced Aug. 2011, [online], [site visited Mar. 19, 2013]. Available from Internet, <URL: http://www.gsmarena.com/nokia_500-4085.php>.*

Nokia N8 telephone, announced Apr. 2010, [online], [site visited Mar. 19, 2013]. Available from Internet, <URL: http://www.gsmarena.com/nokia_n8-3252.php>.*

LG GC900 Viewty Smart telephone, announced Apr. 2009, [online], [site visited Mar. 19, 2013]. Available from Internet, <URL: http://www.gsmarena.com/lg_gc900_viewty_smart-2785.php>.*

Acer DX650 telephone, announced Jun. 2009, [online], [site visited Mar. 19, 2013]. Available from Internet, <URL: http://www.gsmarena.com/acer_dx650-2888.php>.*

* cited by examiner

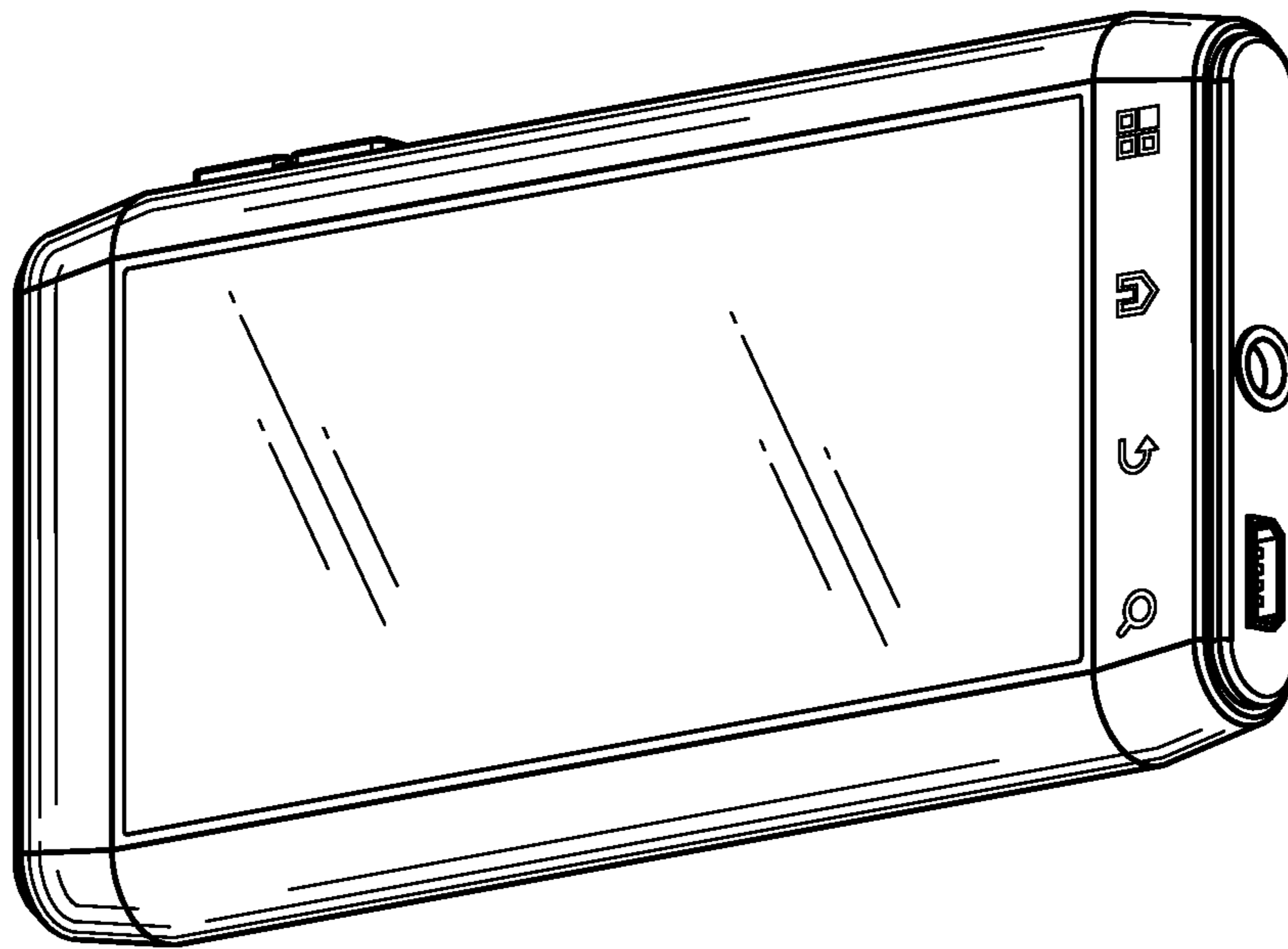


FIG. 1

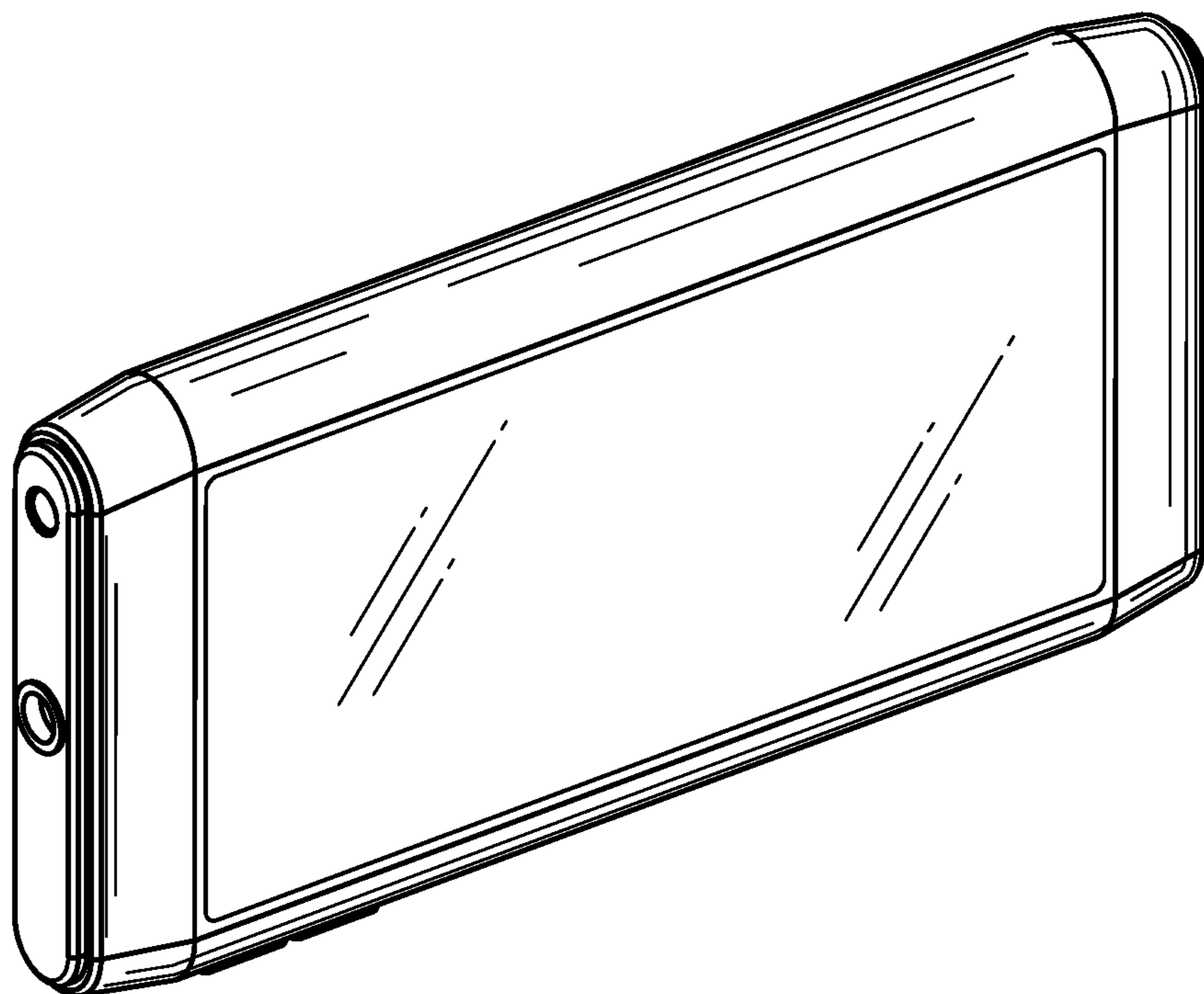


FIG. 2

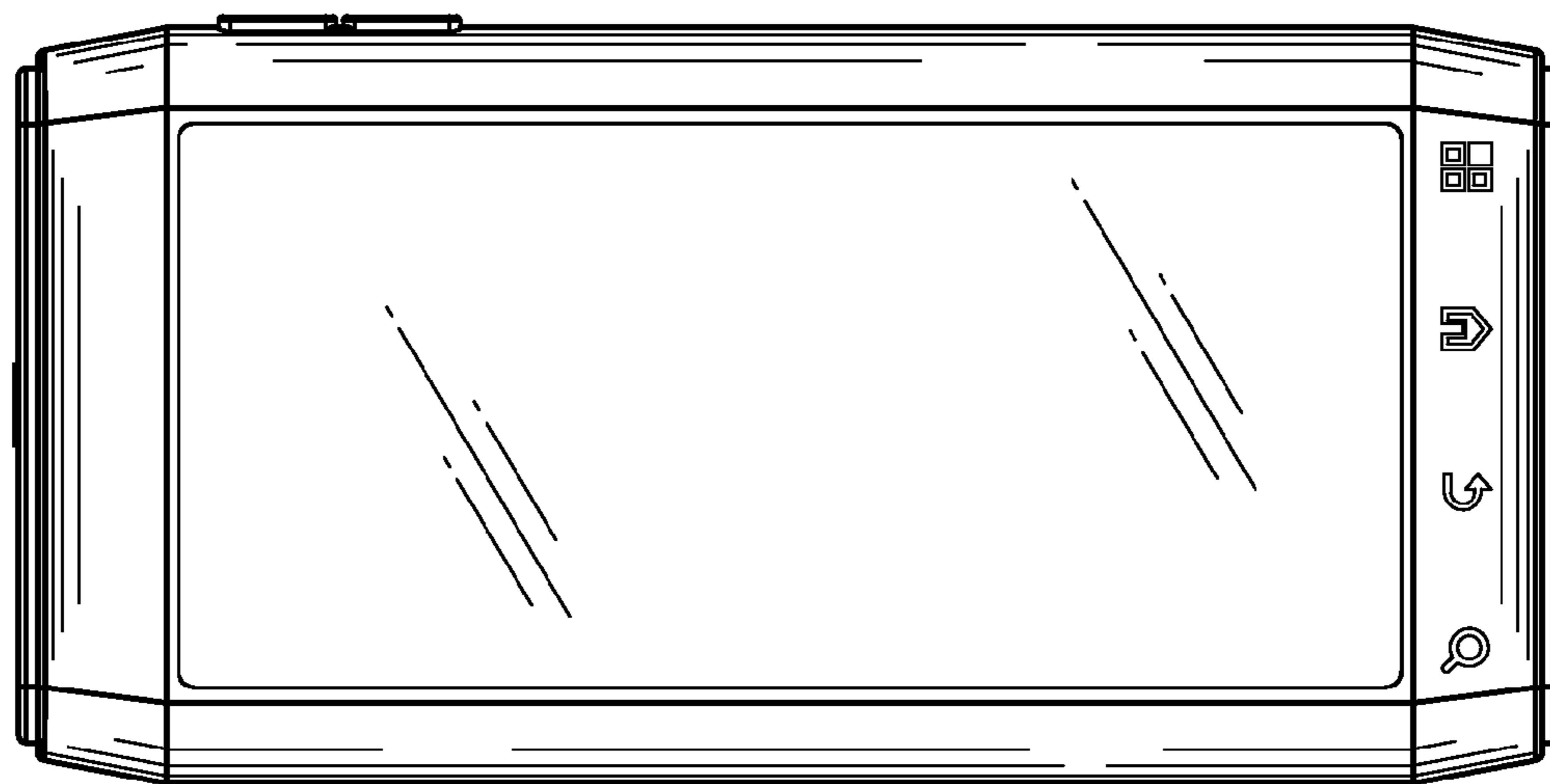


FIG. 3

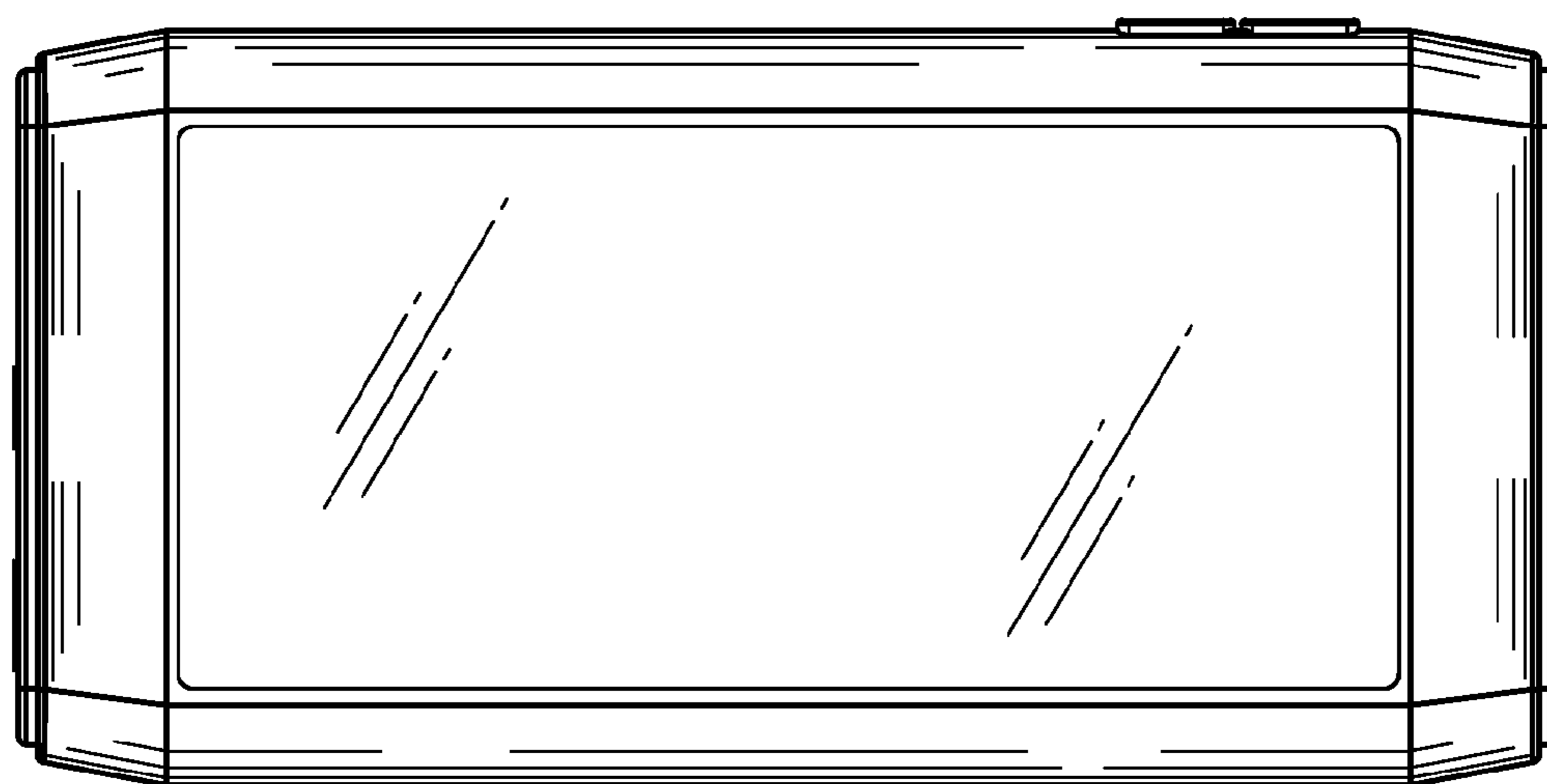


FIG. 4



FIG. 5

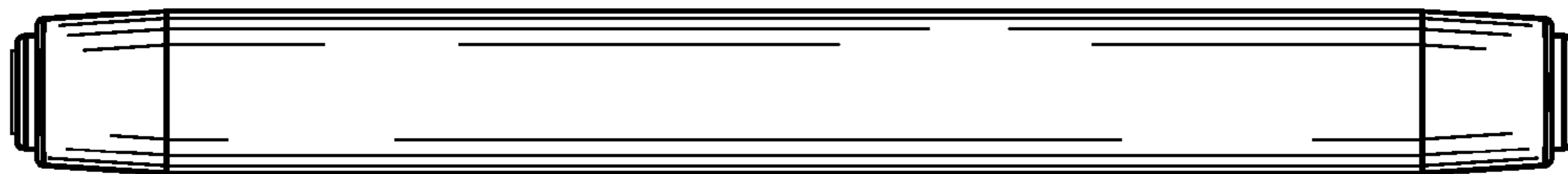


FIG. 6

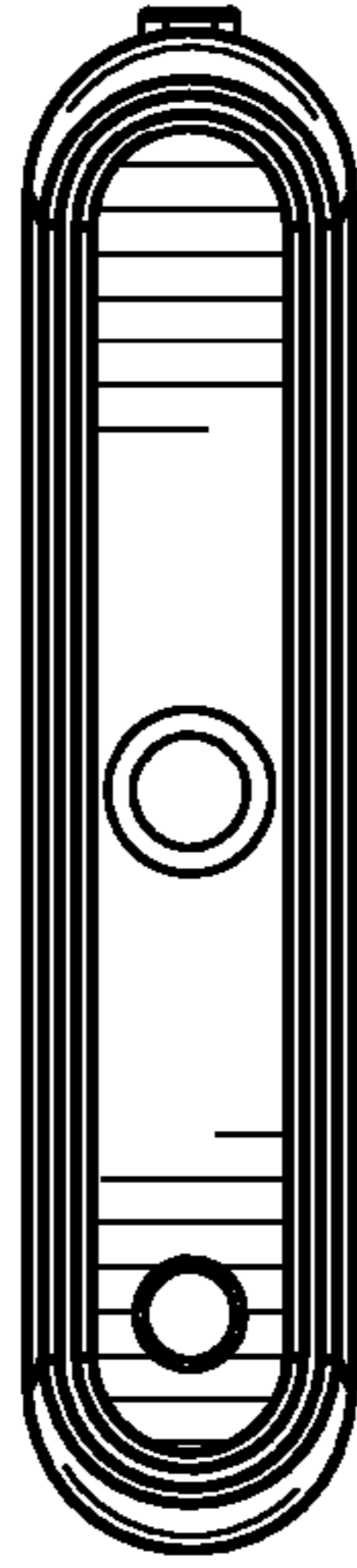


FIG. 7

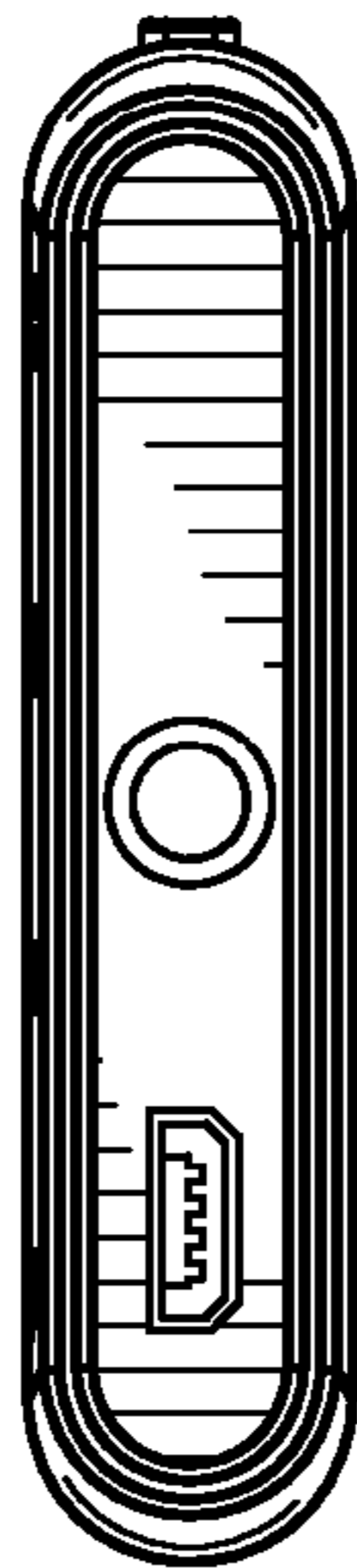


FIG. 8

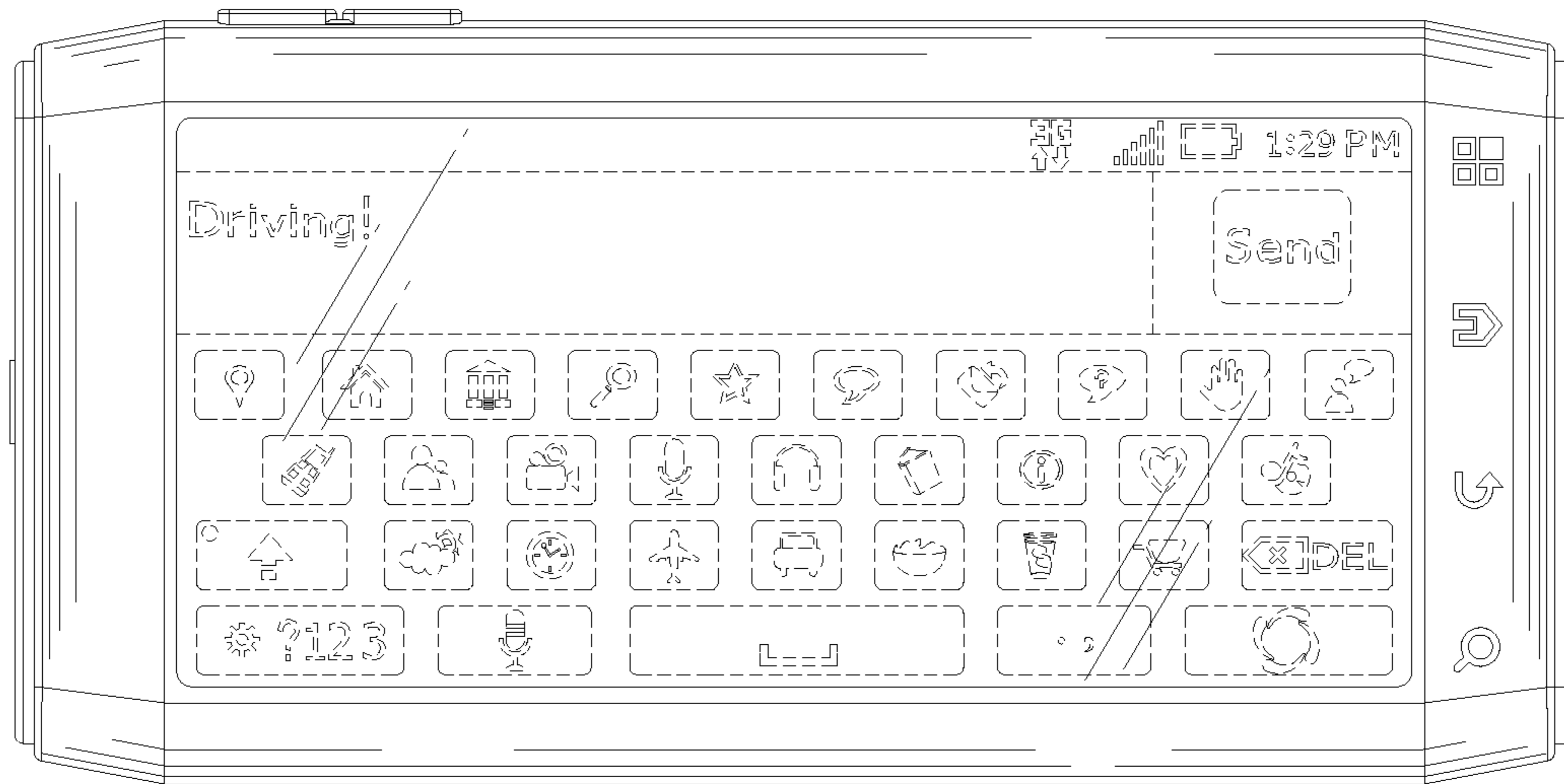


FIG. 9

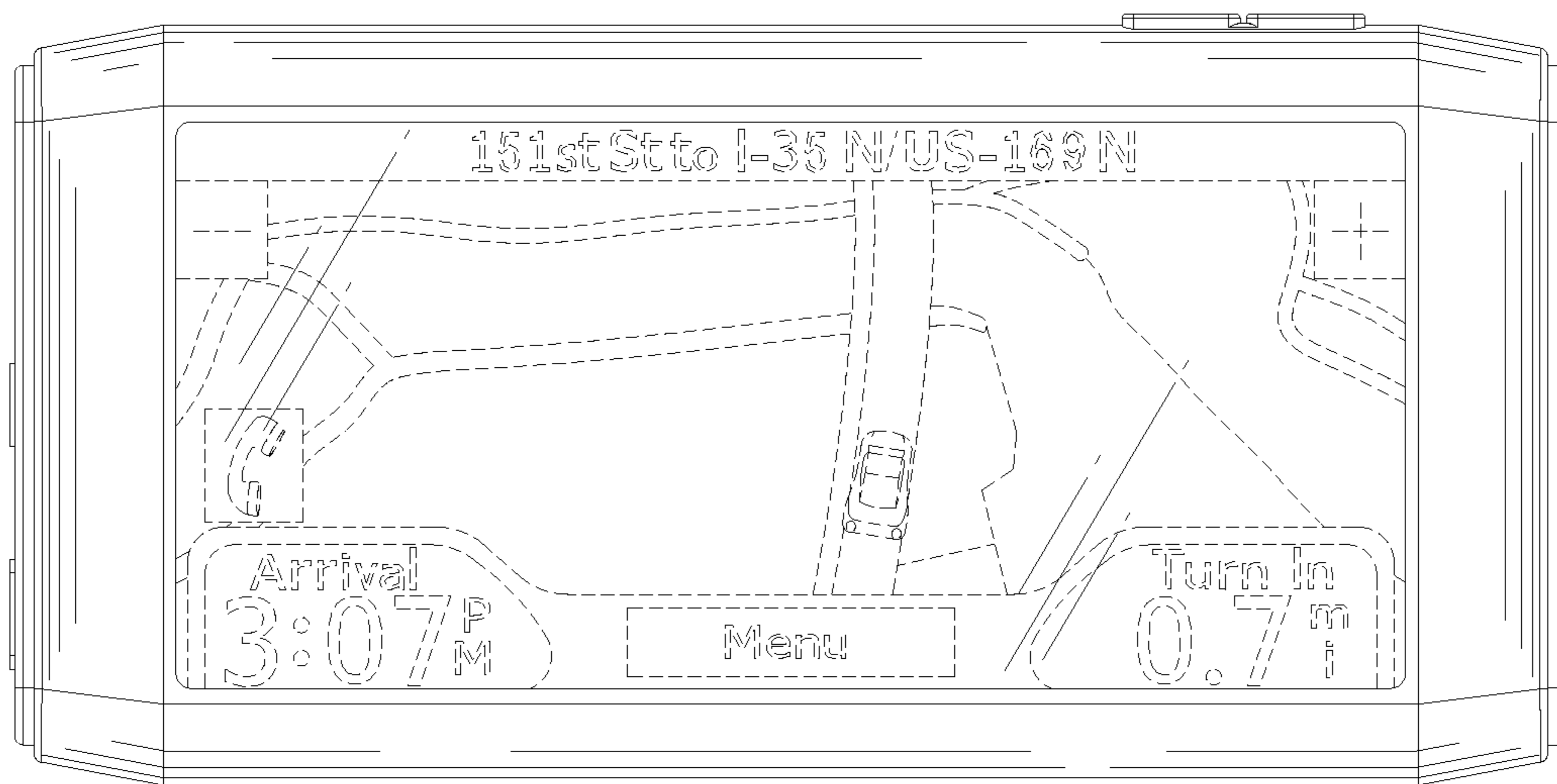


FIG. 10

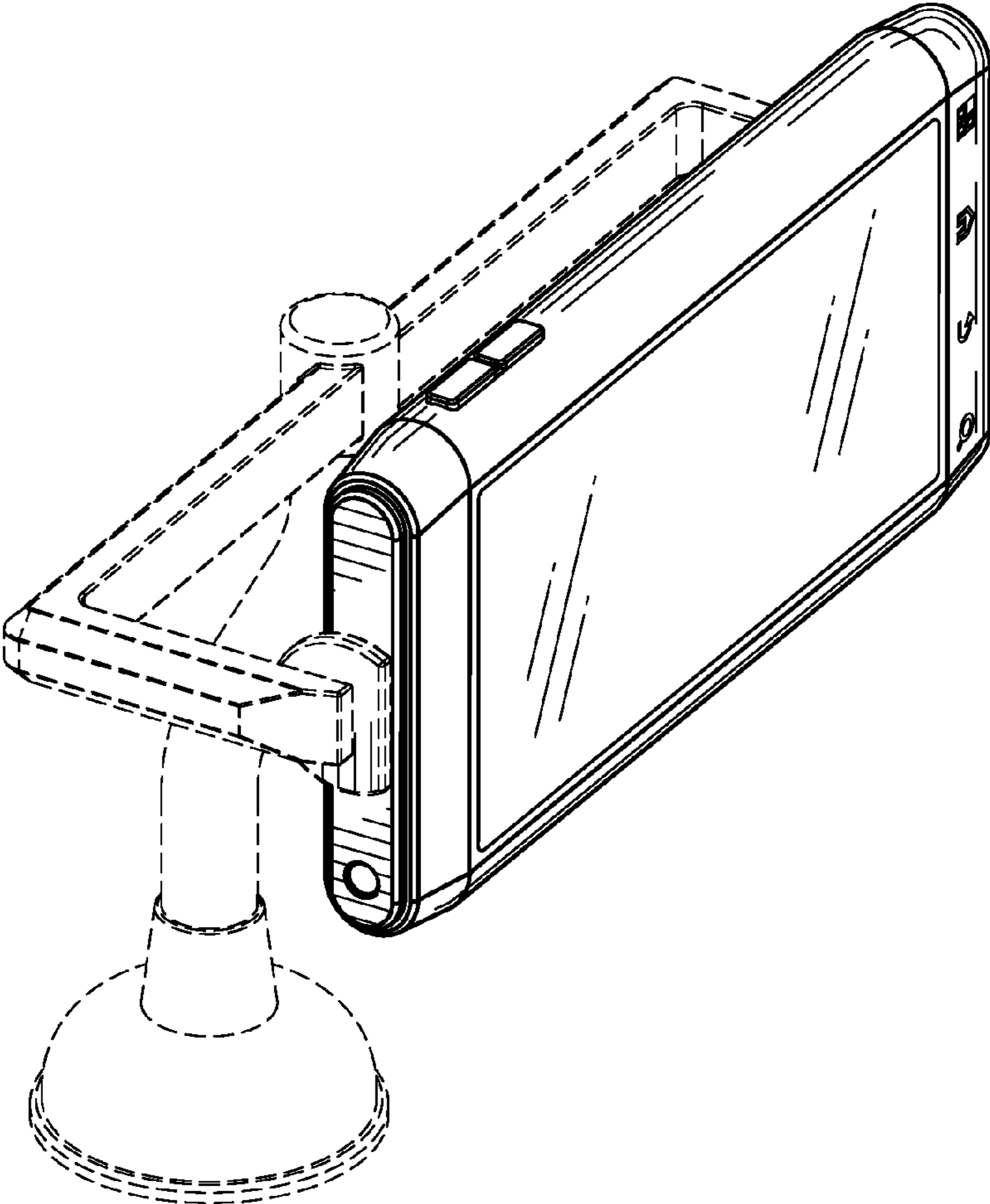


FIG. 11