

US00D689454S

(12) **United States Design Patent**
Shih

(10) **Patent No.:** **US D689,454 S**

(45) **Date of Patent:** **** Sep. 10, 2013**

(54) **DISPLAY**

(71) Applicant: **AmTRAN Technology., Ltd**, New Taipei (TW)

(72) Inventor: **Yi-Hsiu Shih**, New Taipei (TW)

(73) Assignee: **Amtran Technology., Ltd**, New Taipei (TW)

(**) Term: **14 Years**

(21) Appl. No.: **29/436,179**

(22) Filed: **Nov. 2, 2012**

(51) **LOC (9) Cl.** **14-03**

(52) **U.S. Cl.**
USPC **D14/126**

(58) **Field of Classification Search**
USPC D14/125-134, 239, 371, 136, 374-377,
D14/440, 450, 448, 336, 342, 159; 312/7.2;
348/836, 838, 180, 184, 325, 739; 341/12;
248/917-924, 465; 345/104, 133, 156, 168,
345/87, 173; 720/605, 669, 600, 655; 369/99,
369/197; D21/329, 515, 577, 622, 333, 433,
D21/448, 452, 450, 331;
D6/477, 479, 300-310; 273/148 B; 446/484,
446/175, 356; D10/15, 26

See application file for complete search history.

(56) **References Cited**

U.S. PATENT DOCUMENTS

D571,323	S	*	6/2008	Profit	D14/126
D584,702	S	*	1/2009	Iinuma et al.	D14/126
D605,149	S	*	12/2009	Kim et al.	D14/126
D608,313	S	*	1/2010	Yagi	D14/126
D620,903	S	*	8/2010	Song et al.	D14/126
D642,551	S	*	8/2011	Chong et al.	D14/126
D670,666	S	*	11/2012	Wang	D14/126
D670,667	S	*	11/2012	Wang et al.	D14/126

* cited by examiner

Primary Examiner — Raphael Barkai

(74) *Attorney, Agent, or Firm* — Morris Manning & Martin LLP; Tim Tingkang Xia, Esq.

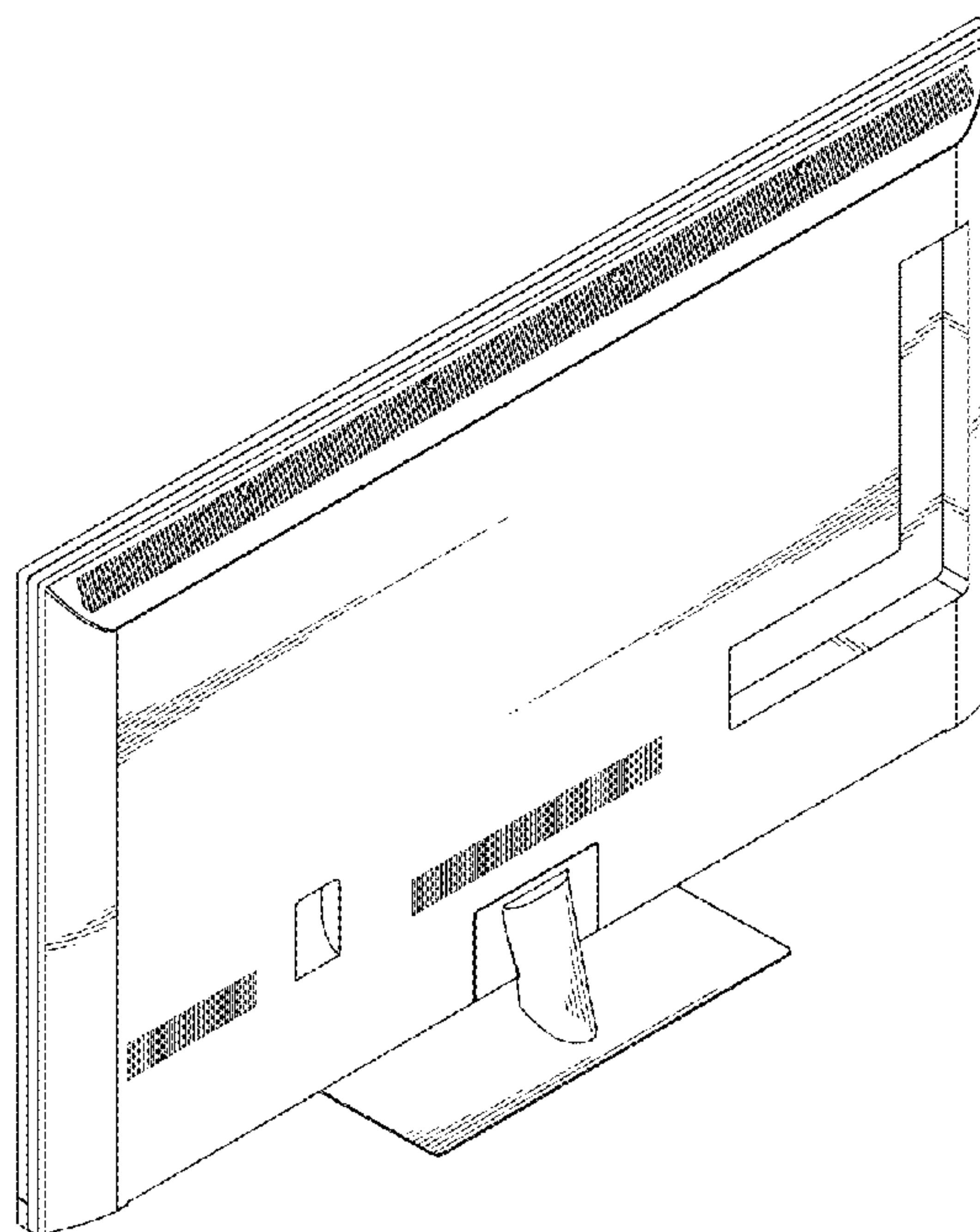
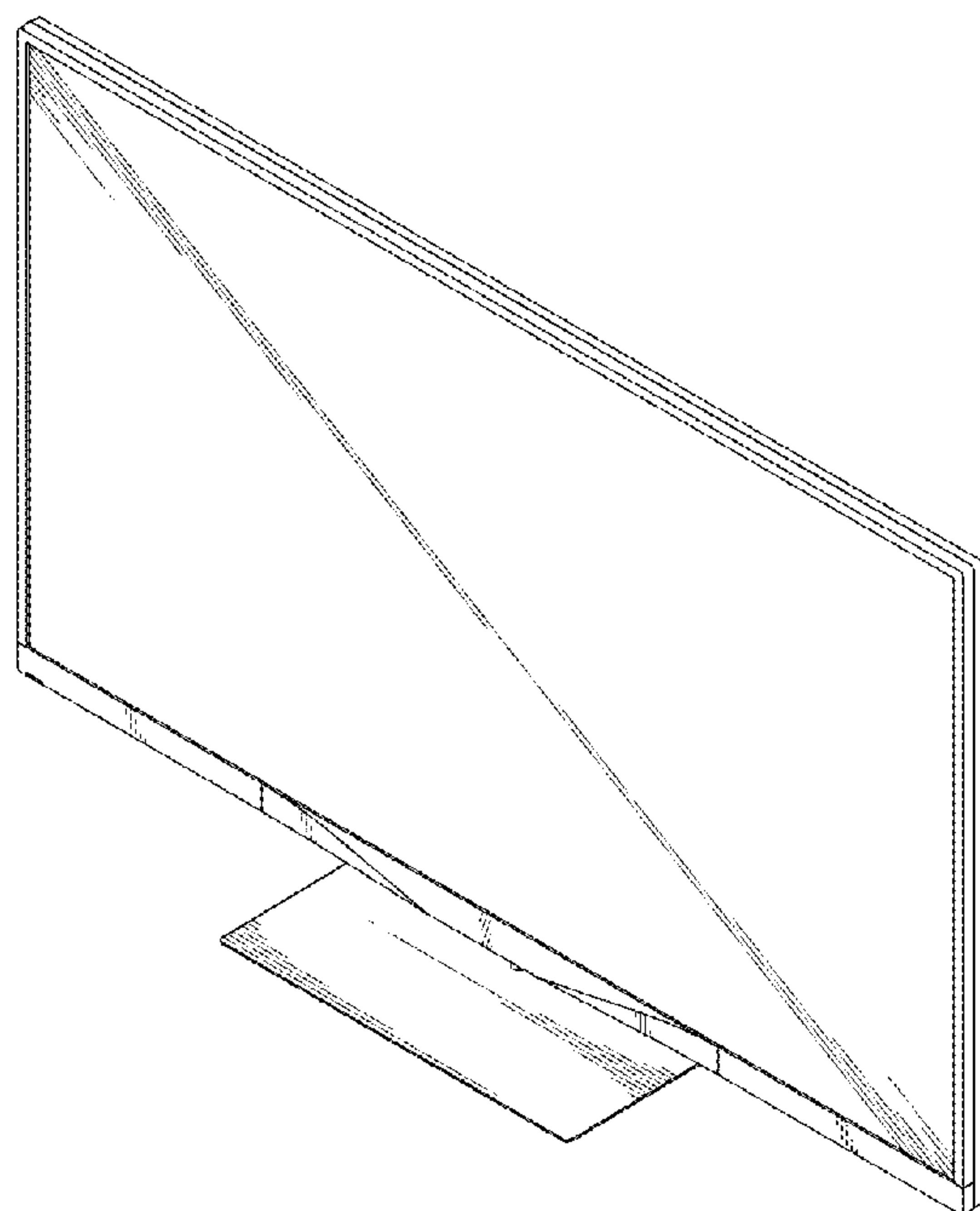
(57) **CLAIM**

The ornamental design for a “display”, as shown and described.

DESCRIPTION

FIG. 1 is a perspective view of display showing my new design;
FIG. 2 is another perspective view of display showing my new design in an alternative position;
FIG. 3 is a front view thereof;
FIG. 4 is a rear view thereof;
FIG. 5 is a left side elevational view thereof;
FIG. 6 is a right side elevational view thereof;
FIG. 7 is a top view thereof; and,
FIG. 8 is a bottom view thereof.

1 Claim, 6 Drawing Sheets



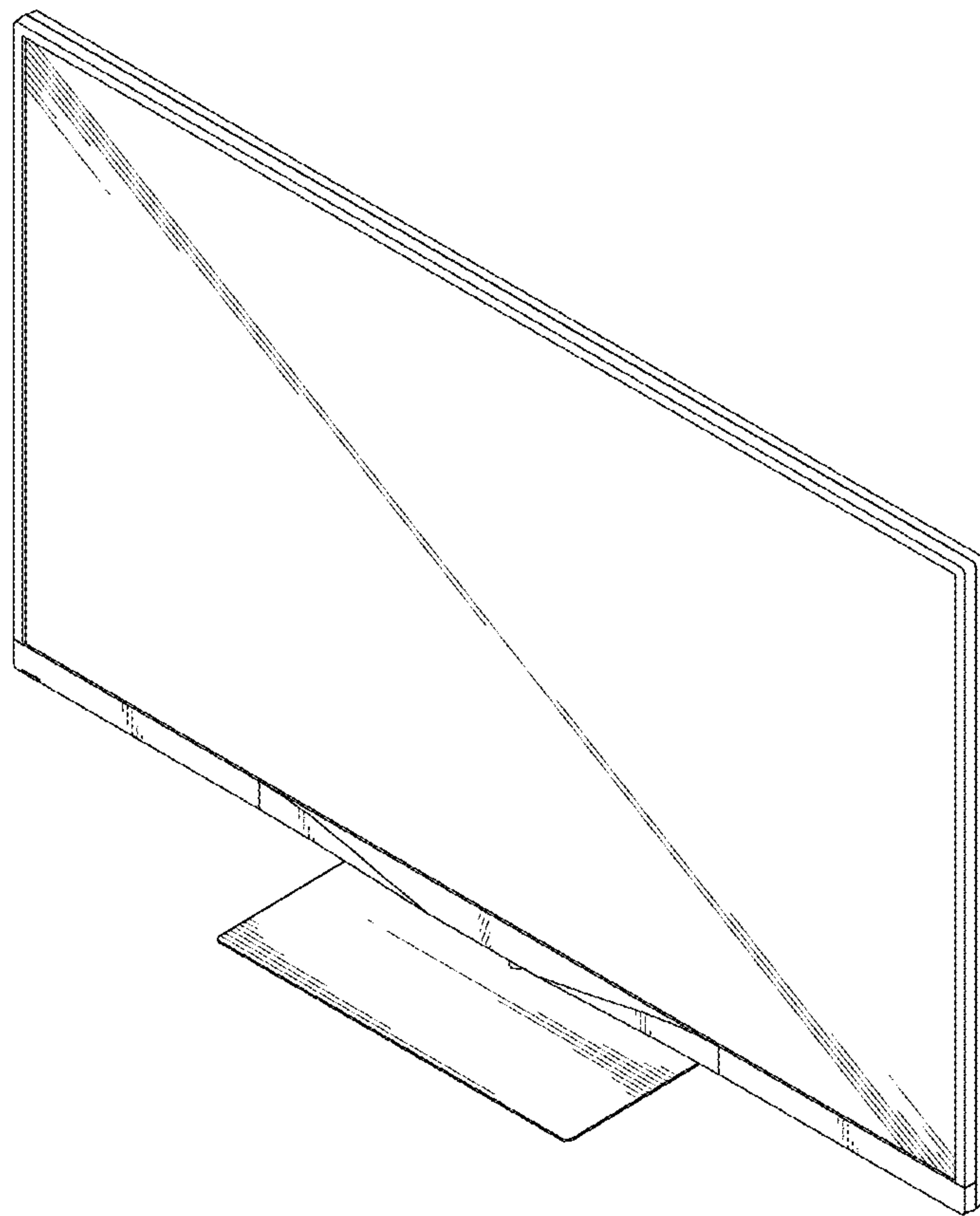


FIG.1

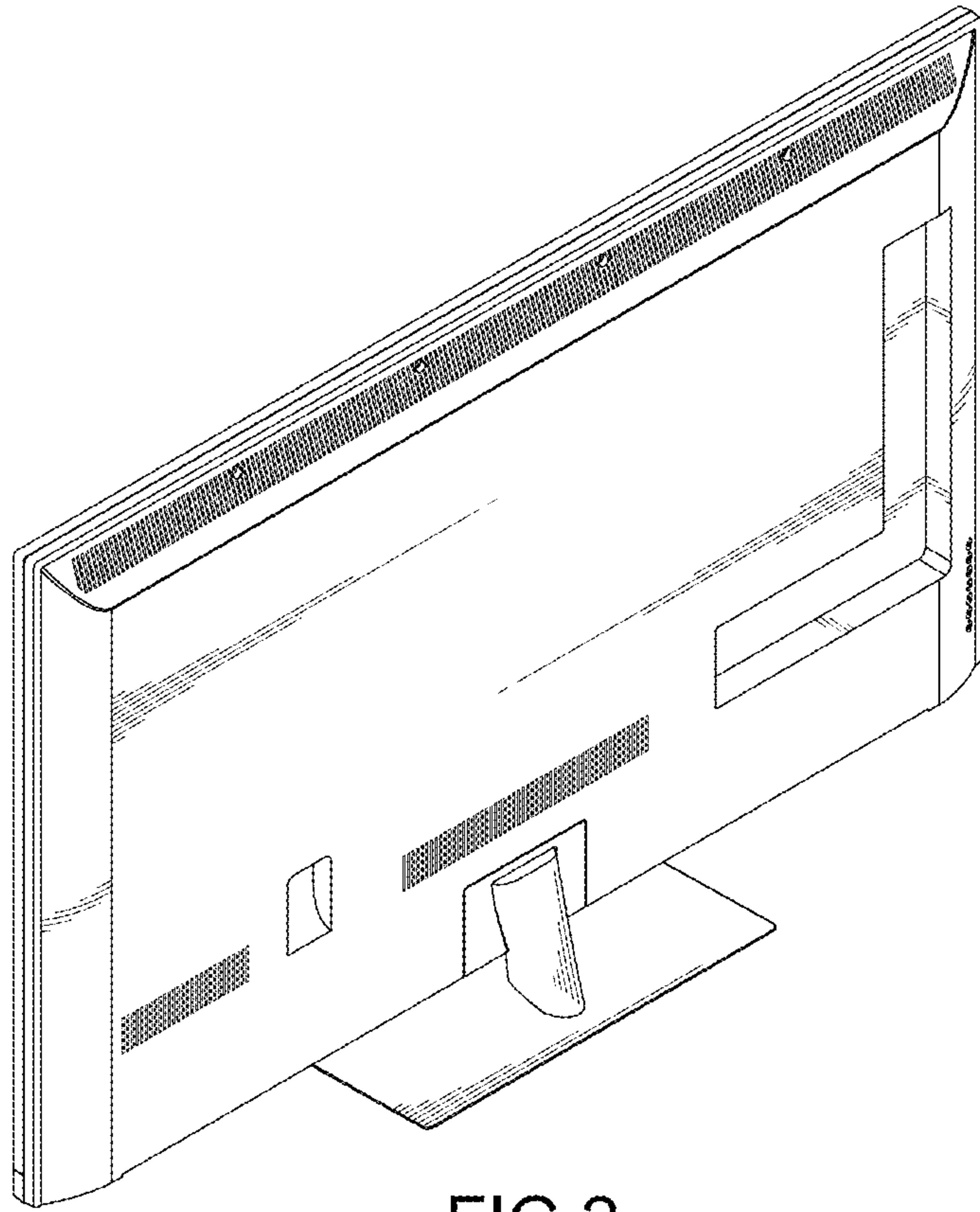


FIG.2

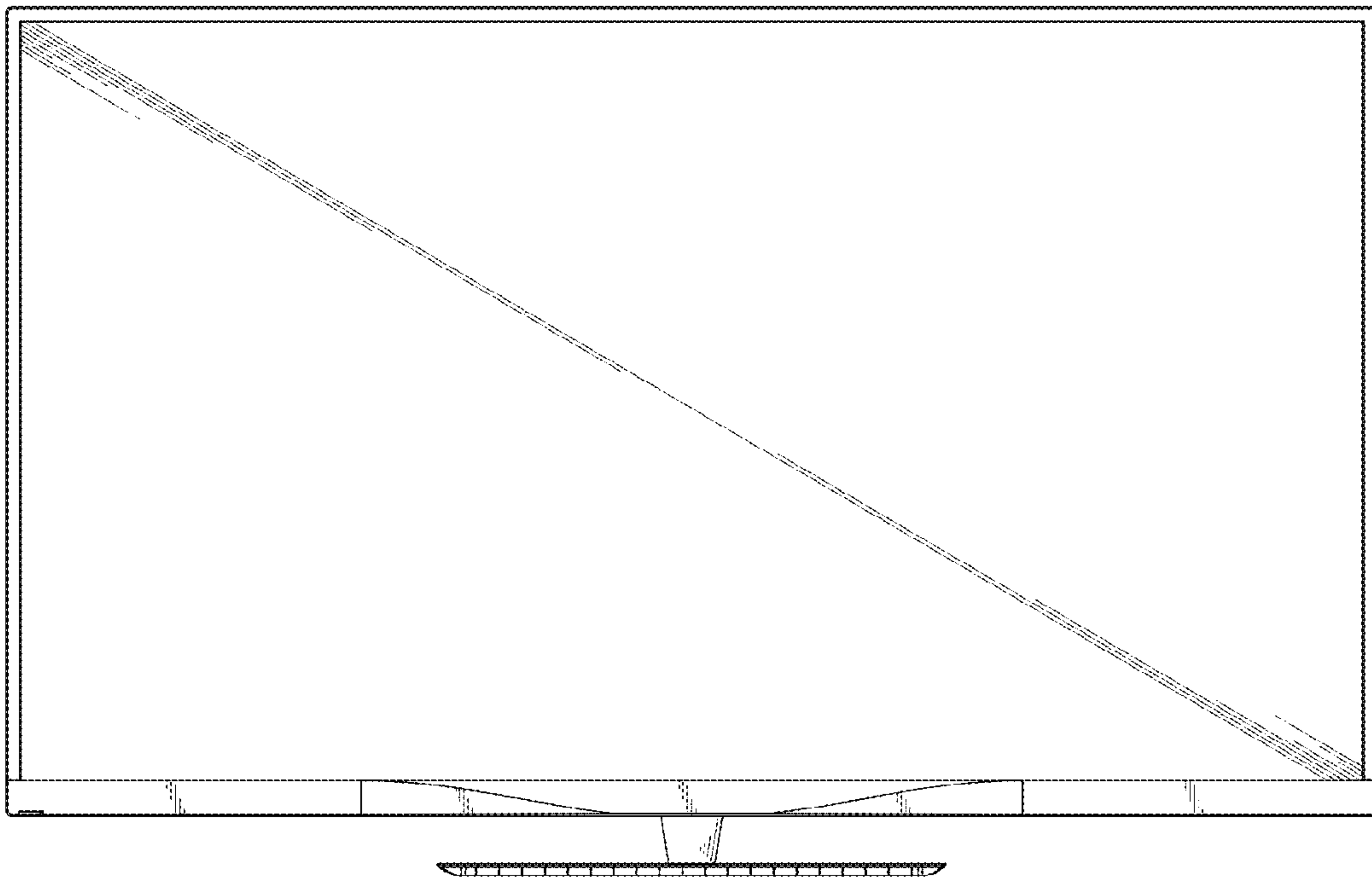


FIG.3

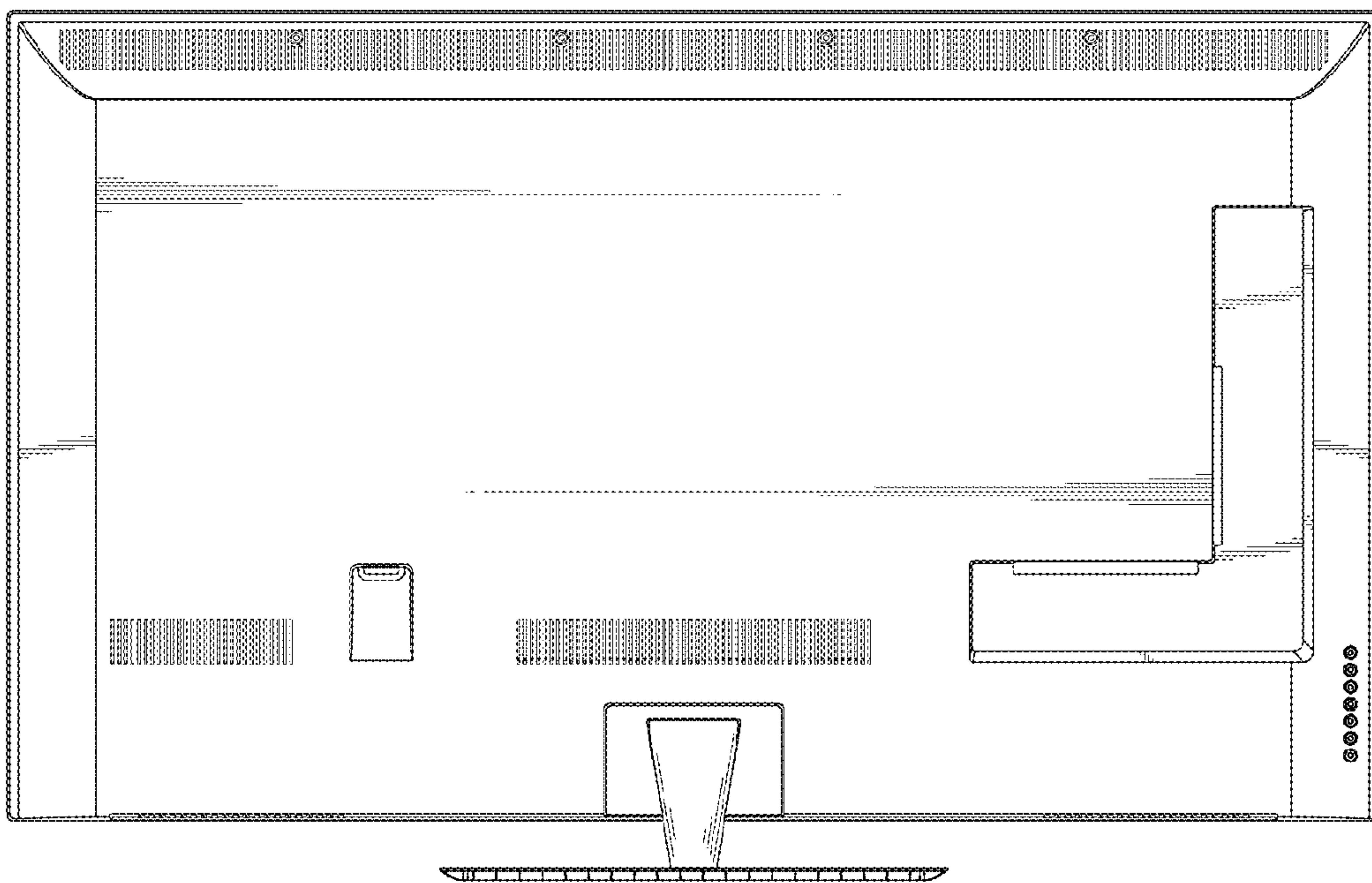


FIG. 4

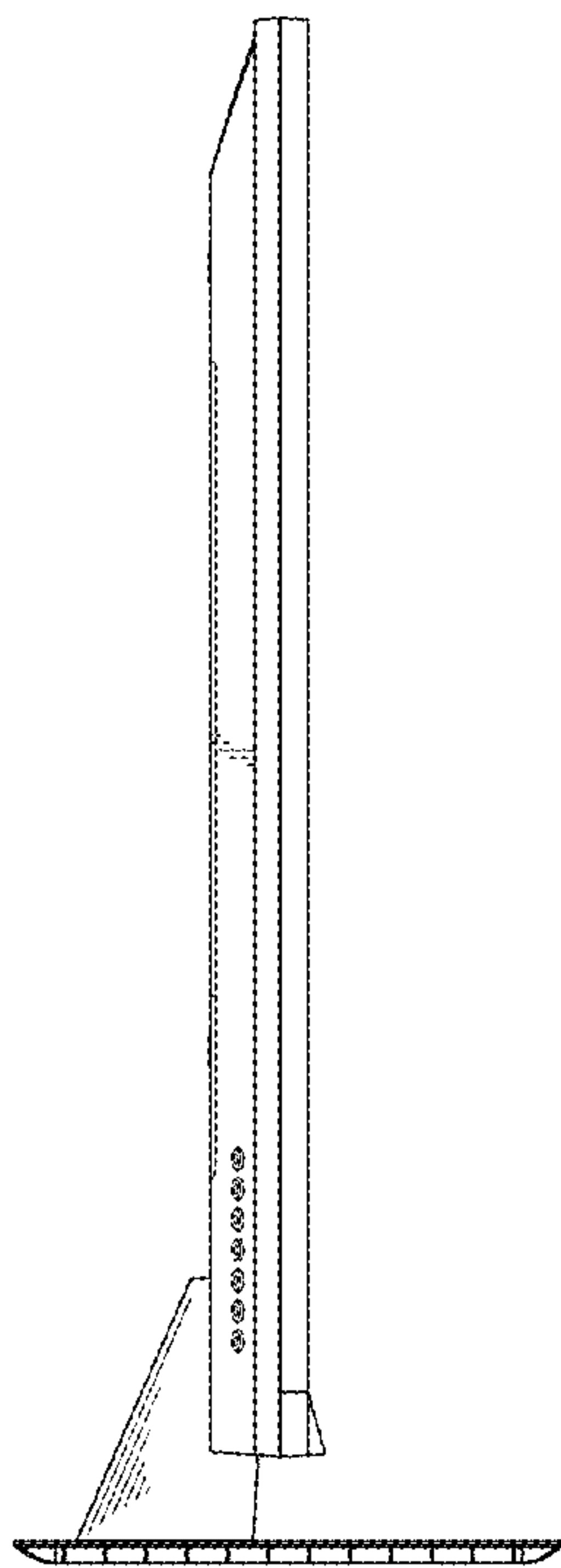


FIG. 5

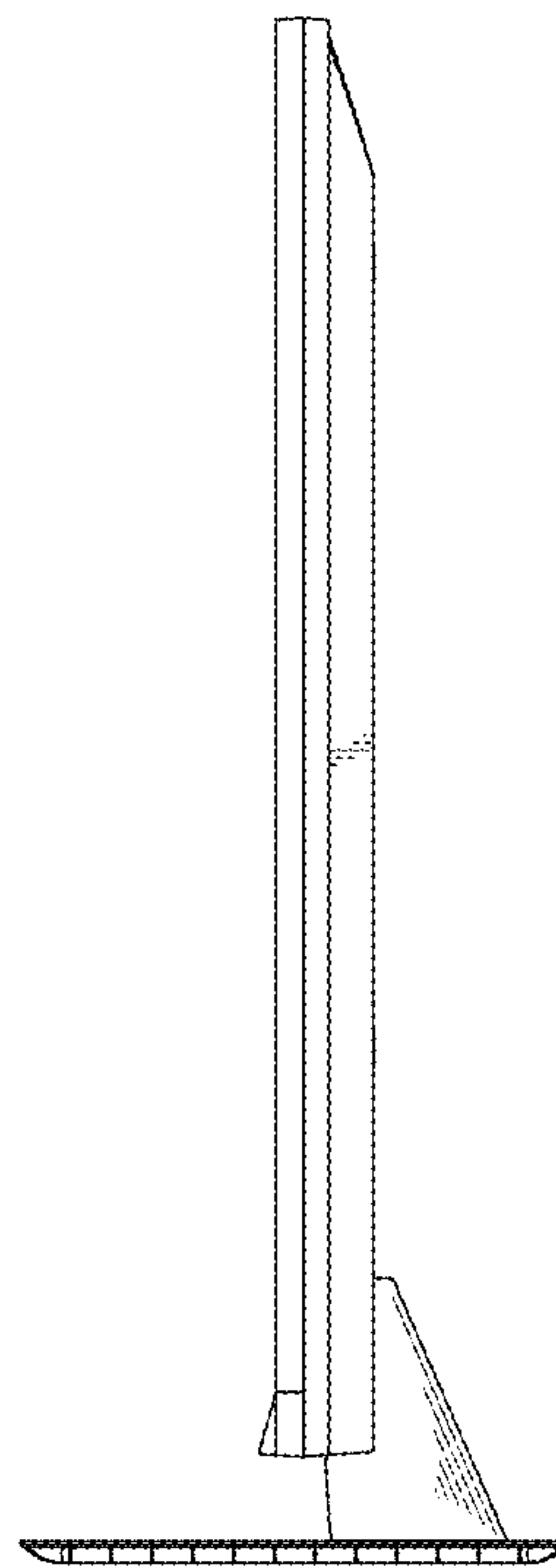


FIG. 6

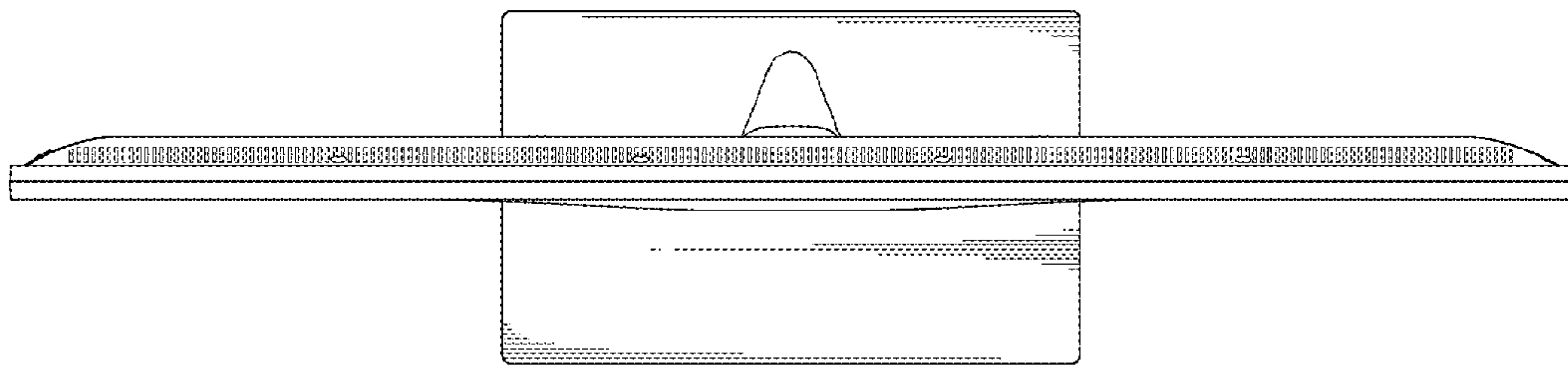


FIG. 7

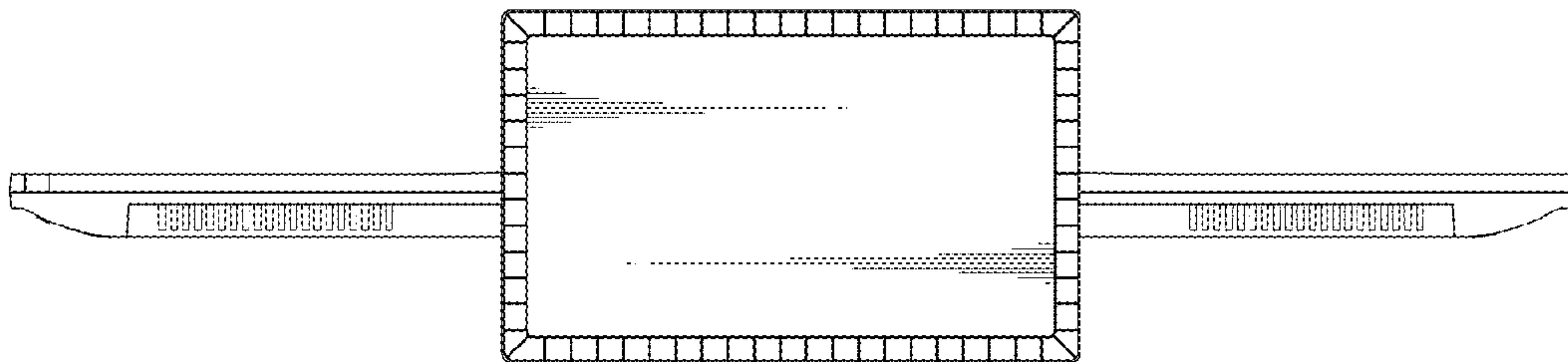


FIG. 8

UNITED STATES PATENT AND TRADEMARK OFFICE
CERTIFICATE OF CORRECTION

PATENT NO. : D689,454 S
APPLICATION NO. : 29/436179
DATED : September 10, 2013
INVENTOR(S) : Yi-Hsiu Shih

Page 1 of 1

It is certified that error appears in the above-identified patent and that said Letters Patent is hereby corrected as shown below:

Title Page, Item 71 Applicant, Line 2: "AmTRAN Technology., Ltd" should read -- AmTRAN Technology Co., Ltd --.

Title Page, Item 73 Assignee, Line 5: "AmTRAN Technology., Ltd" should read -- AmTRAN Technology Co., Ltd --.

Signed and Sealed this
Fourth Day of March, 2014



Michelle K. Lee
Deputy Director of the United States Patent and Trademark Office