



US00D689452S

(12) **United States Design Patent**  
**Gomes, II et al.**

(10) **Patent No.:** **US D689,452 S**

(45) **Date of Patent:** **\*\* Sep. 10, 2013**

(54) **SET TOP BOX**

(71) Applicant: **General Instrument Corporation,**  
Horsham, PA (US)

(72) Inventors: **Carl W. Gomes, II,** Schwenksville, PA  
(US); **Ricardo Eduardo Hugo Flores**  
**Meneses,** Chicago, IL (US); **Michael F.**  
**Paradise,** Chicago, IL (US); **Claudio**  
**Santiago Ribeiro,** Evanston, IL (US);  
**David M. Gargani,** Lansdale, PA (US);  
**Doris A. Schneider,** Wyndmoor, PA  
(US)

(73) Assignee: **General Instrument Corporation,**  
Horsham, PA (US)

(\*\*) Term: **14 Years**

(21) Appl. No.: **29/448,521**

(22) Filed: **Mar. 13, 2013**

(51) **LOC (9) Cl.** ..... **14-03**

(52) **U.S. Cl.**  
USPC ..... **D14/125**

(58) **Field of Classification Search**  
USPC ..... D14/125, 357-358, 496, 188, 242,  
D14/432; D13/184; 348/10, 460, 706, 731;  
340/825.03; 455/6.1, 6.2; 312/223.1, 7.2  
See application file for complete search history.

(56) **References Cited**

U.S. PATENT DOCUMENTS

D345,970 S	*	4/1994	Kawamoto	.....	D14/125
D538,384 S	*	3/2007	Cottis	.....	D22/134
D542,241 S	*	5/2007	Ryu	.....	D14/125
D544,455 S	*	6/2007	Park et al.	.....	D14/125

D556,705 S		12/2007	Reynolds et al.	
D561,141 S	*	2/2008	Cho et al.	..... D14/502
D572,674 S		7/2008	Paradise	
D608,744 S	*	1/2010	Kim et al.	..... D14/125
D608,745 S	*	1/2010	Cho et al.	..... D14/125
D609,656 S	*	2/2010	Cho et al.	..... D14/125
D610,102 S	*	2/2010	Cho et al.	..... D14/125
D616,398 S		5/2010	Miller et al.	
D623,154 S	*	9/2010	Tu	..... D14/125
D635,530 S	*	4/2011	Sung et al.	..... D14/125
D635,534 S	*	4/2011	Cho et al.	..... D14/125
D646,240 S	*	10/2011	Kim et al.	..... D14/125

\* cited by examiner

*Primary Examiner* — Randall Gholson

(74) *Attorney, Agent, or Firm* — Stewart M. Wiener

(57) **CLAIM**

The ornamental design for a set top box, as shown and described.

**DESCRIPTION**

FIG. 1 is a perspective view of an ornamental design for a set top box;

FIG. 2 is a top view thereof;

FIG. 3 is a bottom thereof;

FIG. 4 is a first side view thereof;

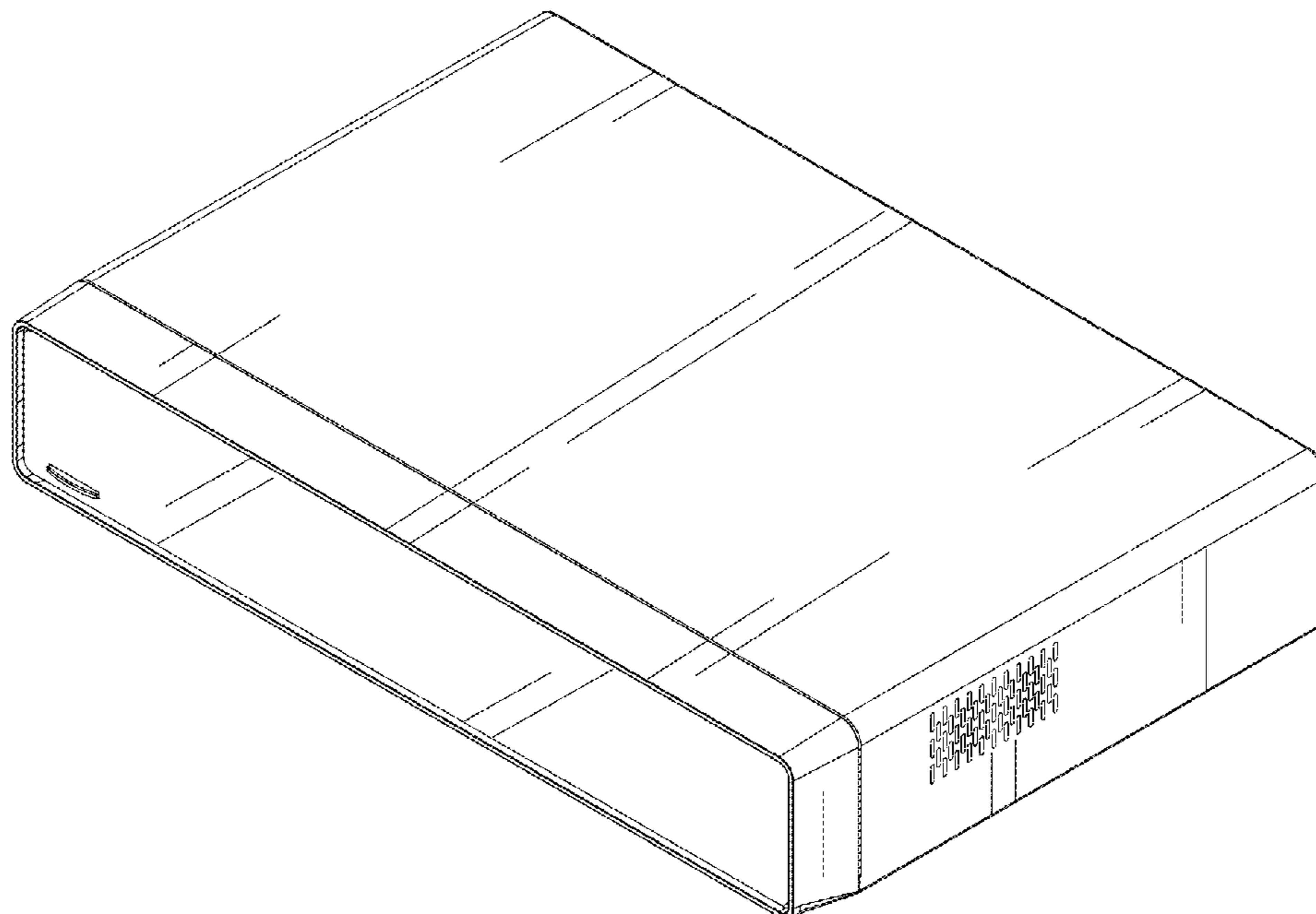
FIG. 5 is a second side view thereof;

FIG. 6 is a rear view thereof; and,

FIG. 7 is a front view thereof.

The broken lines shown in FIGS. 1-7, that are immediately adjacent to the shaded areas, and define unshaded regions, represent the bounds of the embodiment, while all other broken lines are directed to environment and are for illustrative purposes only; the broken lines form no part of the embodiment.

**1 Claim, 4 Drawing Sheets**



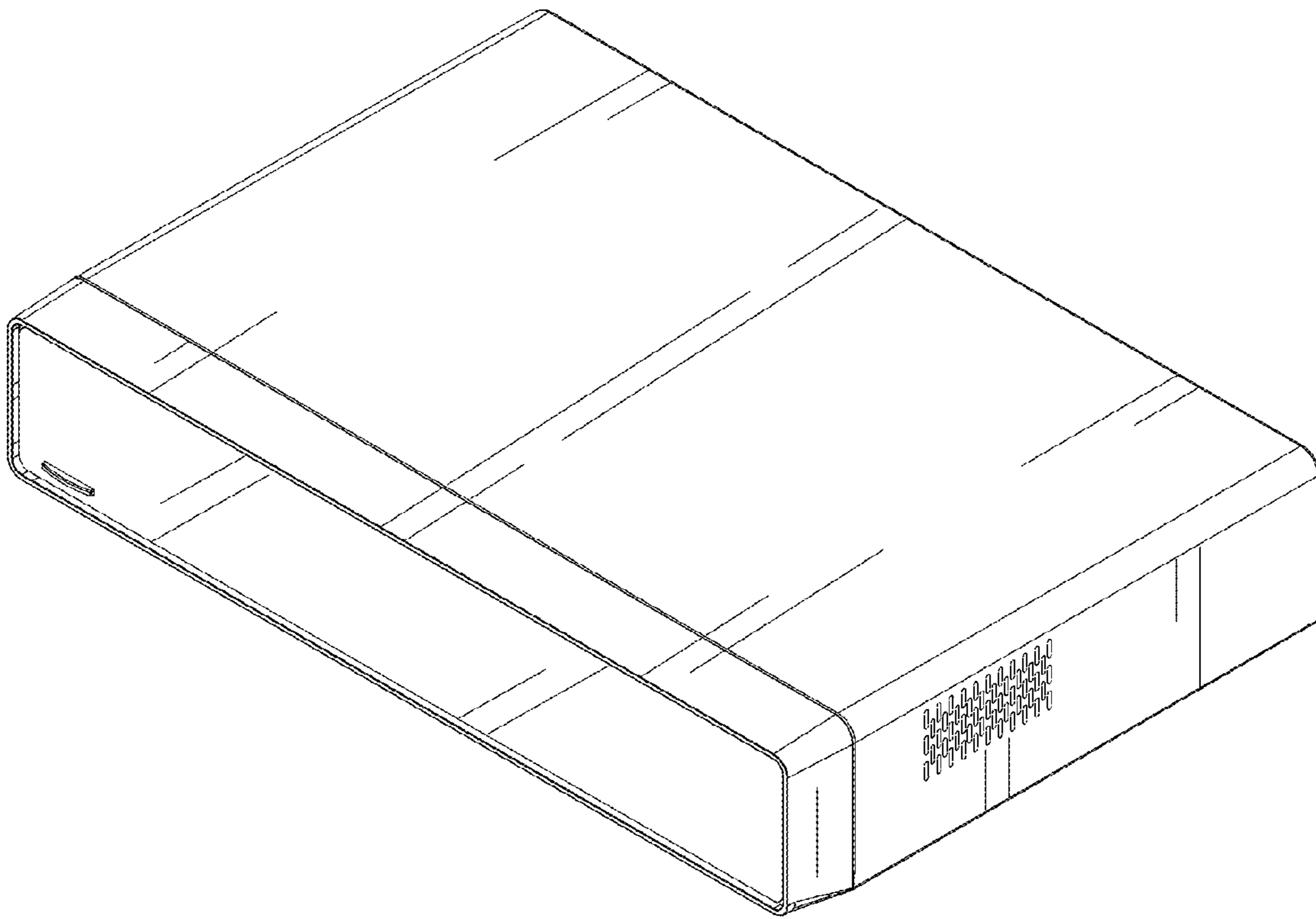


FIG. 1

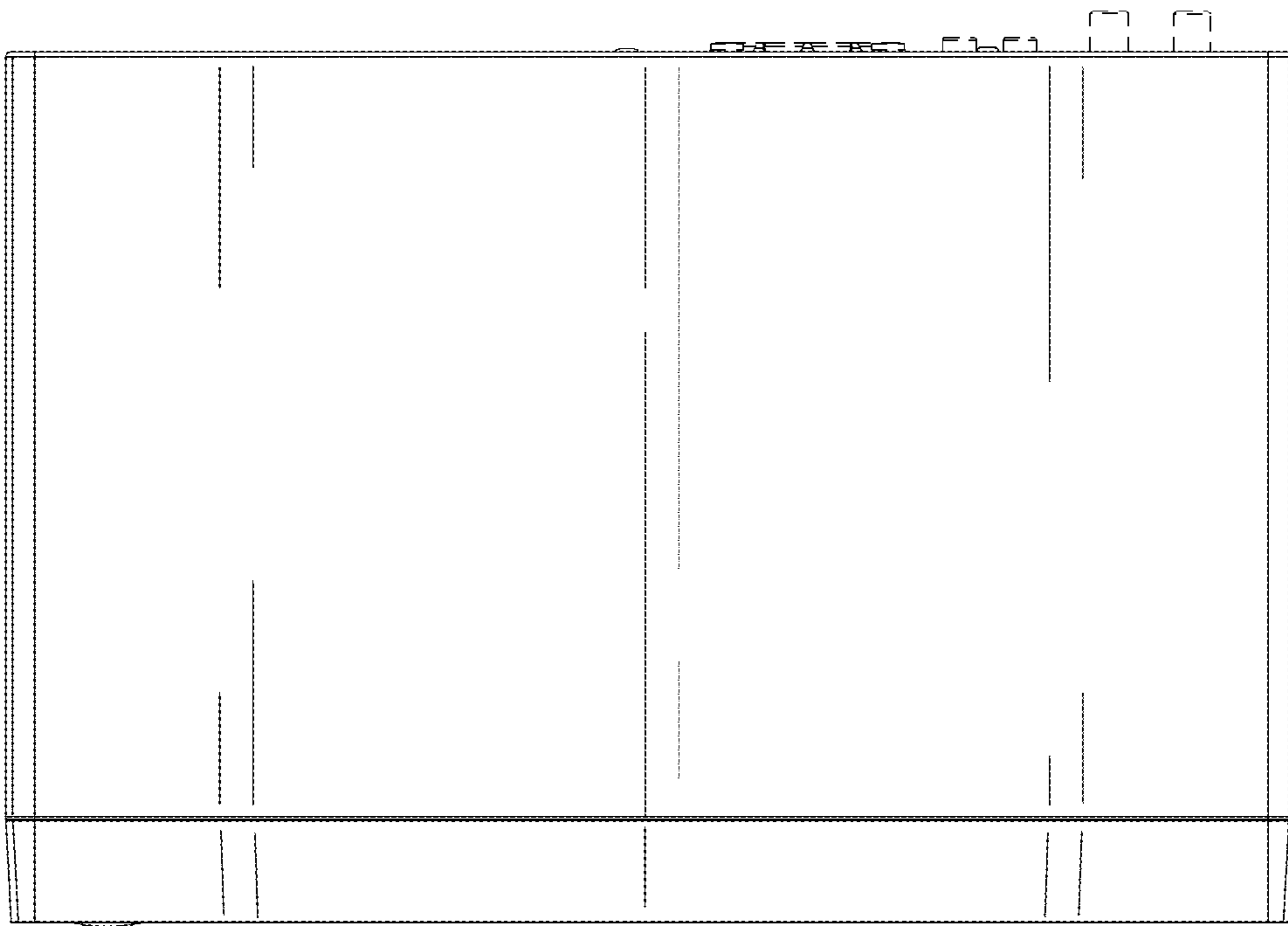


FIG. 2

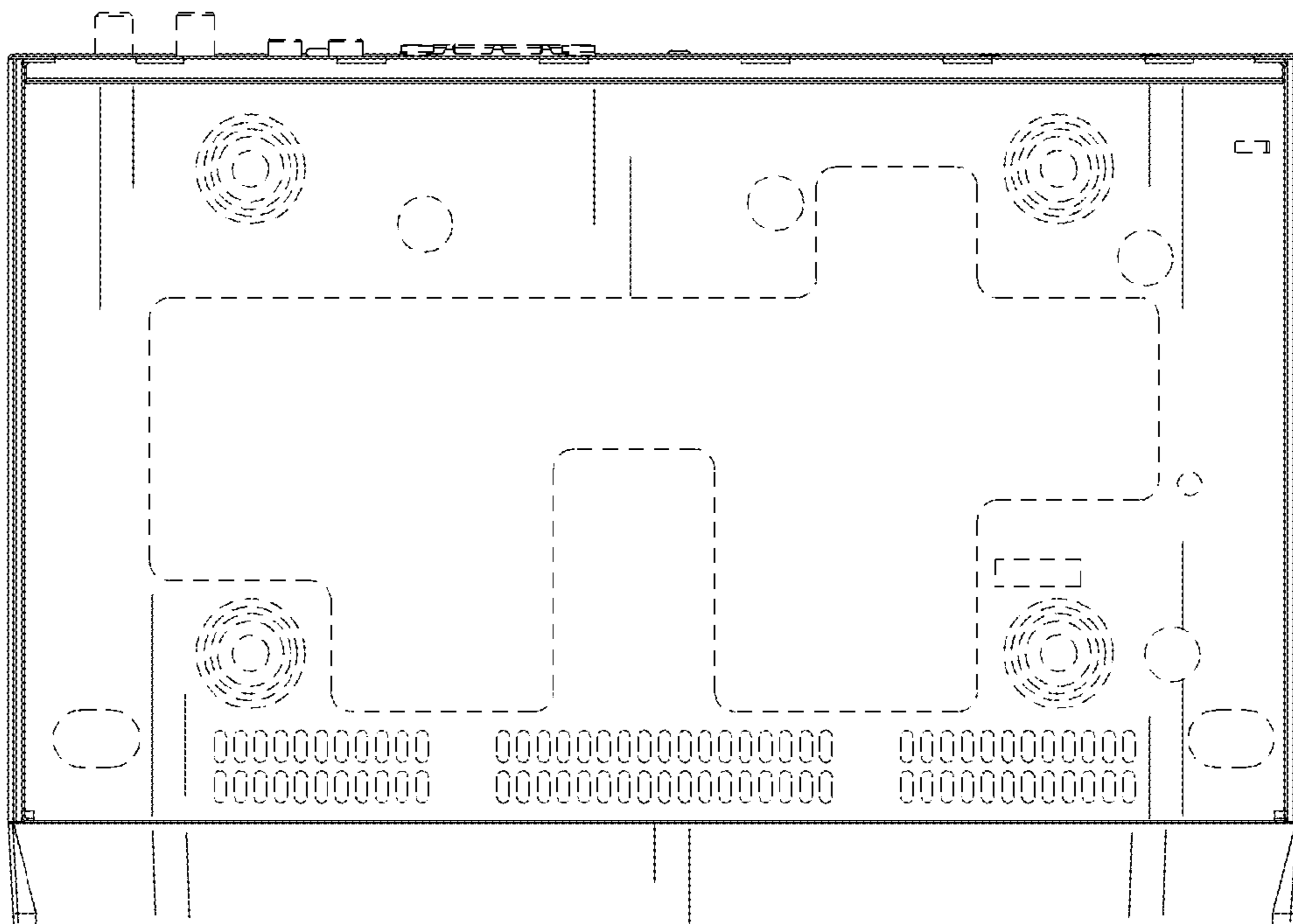


FIG. 3

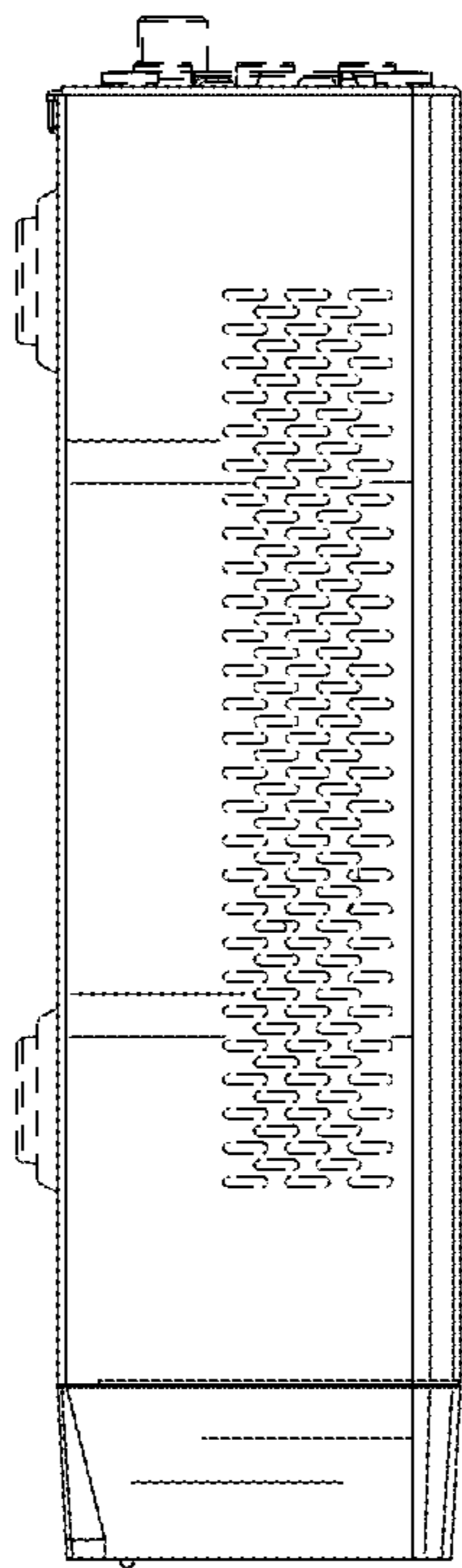


FIG. 4

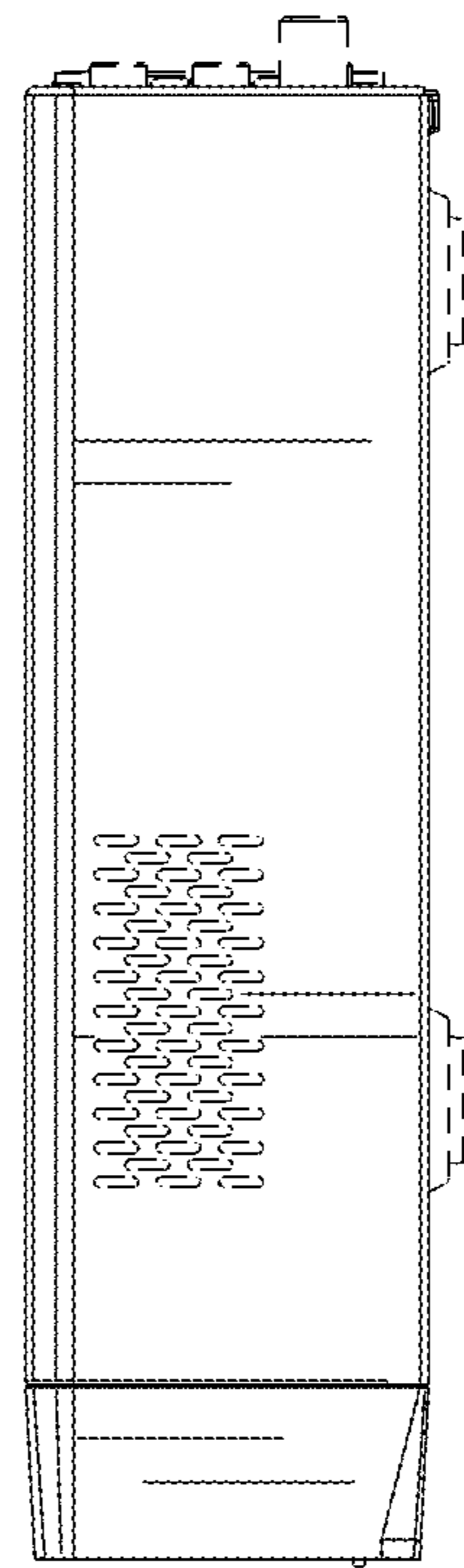


FIG. 5

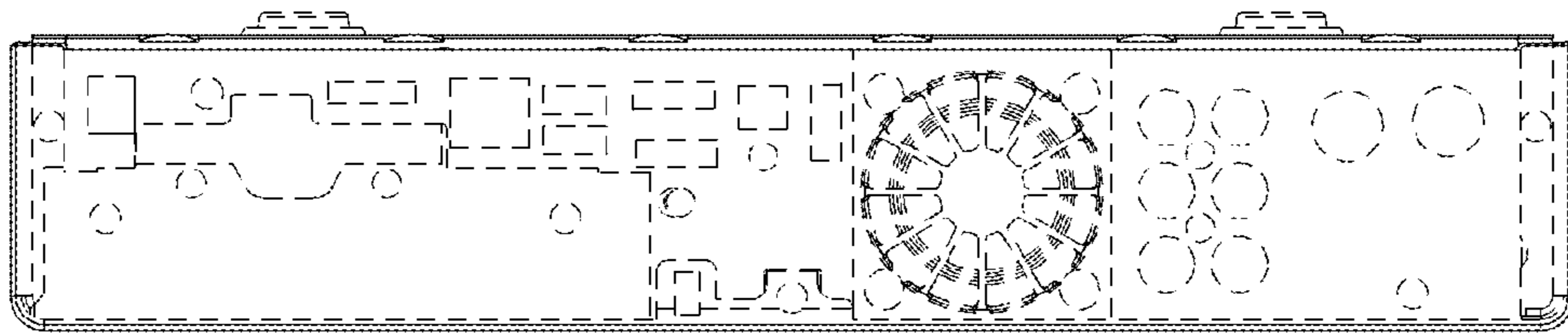


FIG. 6

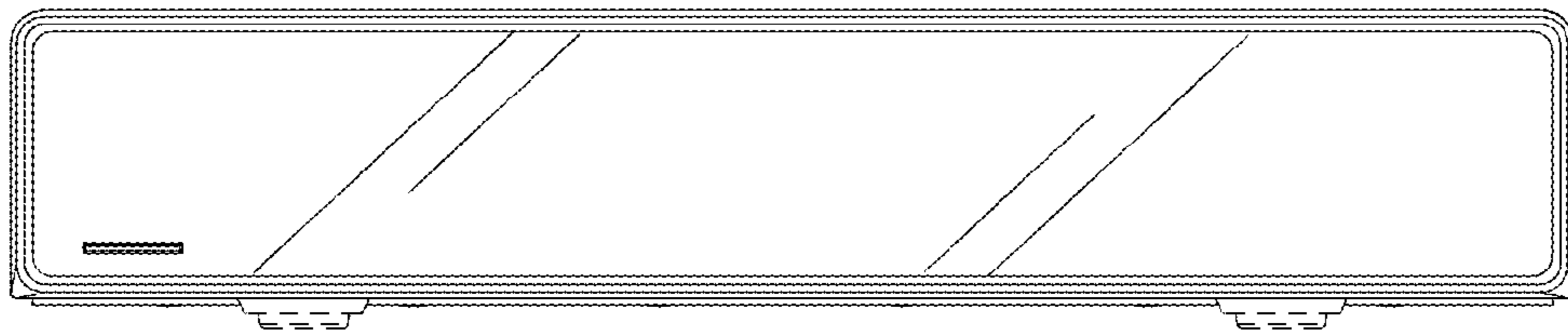


FIG. 7