



US00D689446S

(12) **United States Design Patent**  
**Soyano**

(10) **Patent No.:** **US D689,446 S**

(45) **Date of Patent:** **\*\* \*Sep. 10, 2013**

(54) **SEMICONDUCTOR**

(75) Inventor: **Shin Soyano**, Kanagawa (JP)

(73) Assignee: **Fuji Electric Co., Ltd.**, Kanagawa (JP)

(\*) Notice: This patent is subject to a terminal disclaimer.

(\*\*) Term: **14 Years**

(21) Appl. No.: **29/390,543**

(22) Filed: **Apr. 26, 2011**

(30) **Foreign Application Priority Data**

Oct. 28, 2010 (JP) ..... D2010-025926

(51) **LOC (9) Cl.** ..... **13-03**

(52) **U.S. Cl.**  
USPC ..... **D13/180**

(58) **Field of Classification Search**  
USPC ..... D13/110, 182; 257/690; 361/704,  
361/713, 728, 736, 775  
See application file for complete search history.

(56) **References Cited**

**U.S. PATENT DOCUMENTS**

D357,672 S \* 4/1995 Terasawa et al. .... D13/182  
D389,808 S \* 1/1998 Yamada et al. .... D13/182

D396,450 S \* 7/1998 Nishiura et al. .... D13/182  
6,521,983 B1 \* 2/2003 Yoshimatsu et al. .... 257/678  
D476,959 S \* 7/2003 Yamada et al. .... D13/182  
D587,662 S \* 3/2009 Soutome et al. .... D13/182  
D589,012 S \* 3/2009 Soyano et al. .... D13/182  
D606,951 S 12/2009 Soyano et al.  
D653,633 S \* 2/2012 Soyano ..... D13/182  
D653,634 S \* 2/2012 Soyano ..... D13/182  
2001/0038143 A1 \* 11/2001 Sonobe et al. .... 257/690  
2002/0093352 A1 \* 7/2002 Min et al. .... 324/754

\* cited by examiner

*Primary Examiner* — Selina Sikder

(74) *Attorney, Agent, or Firm* — Young & Thompson

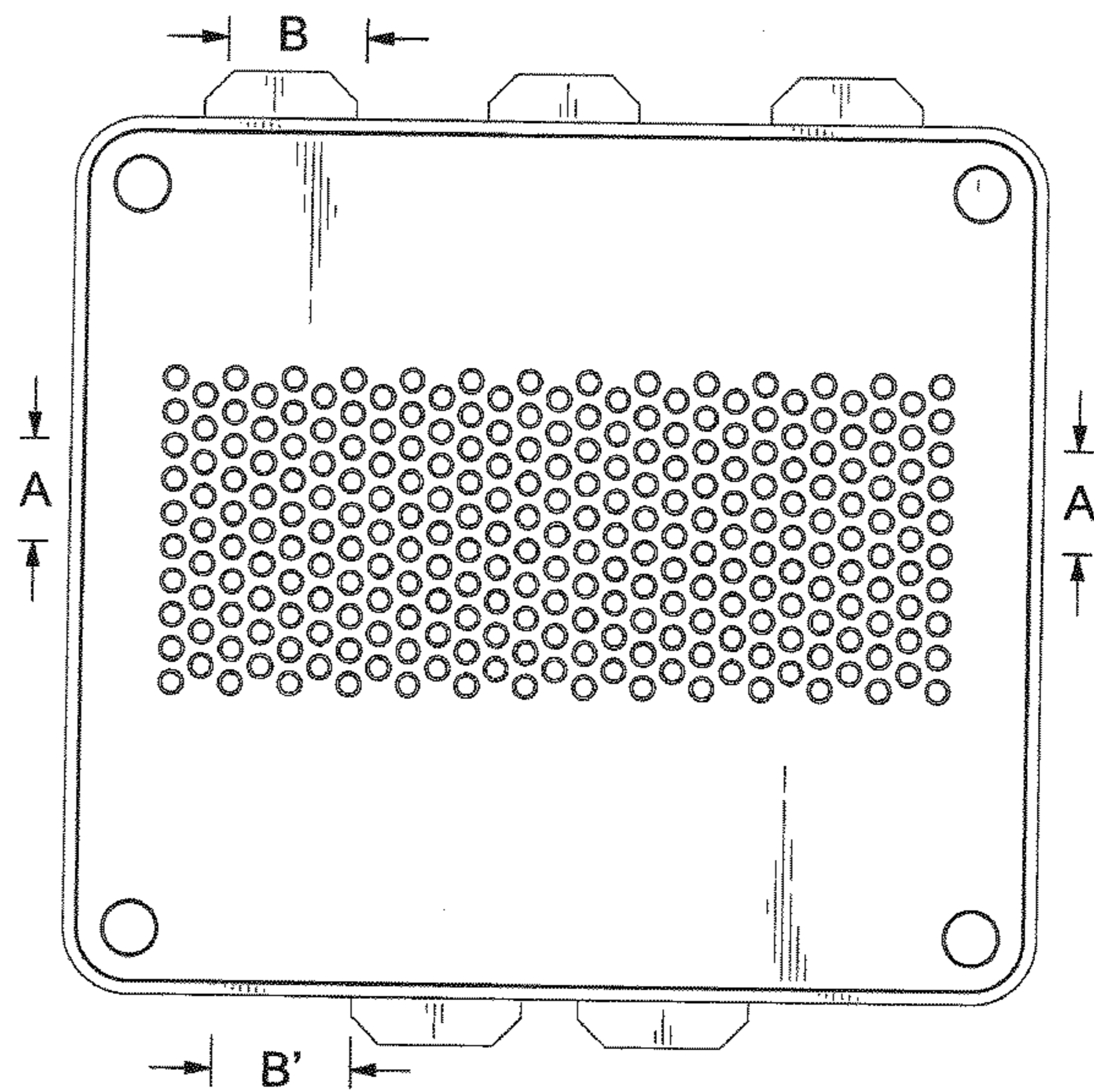
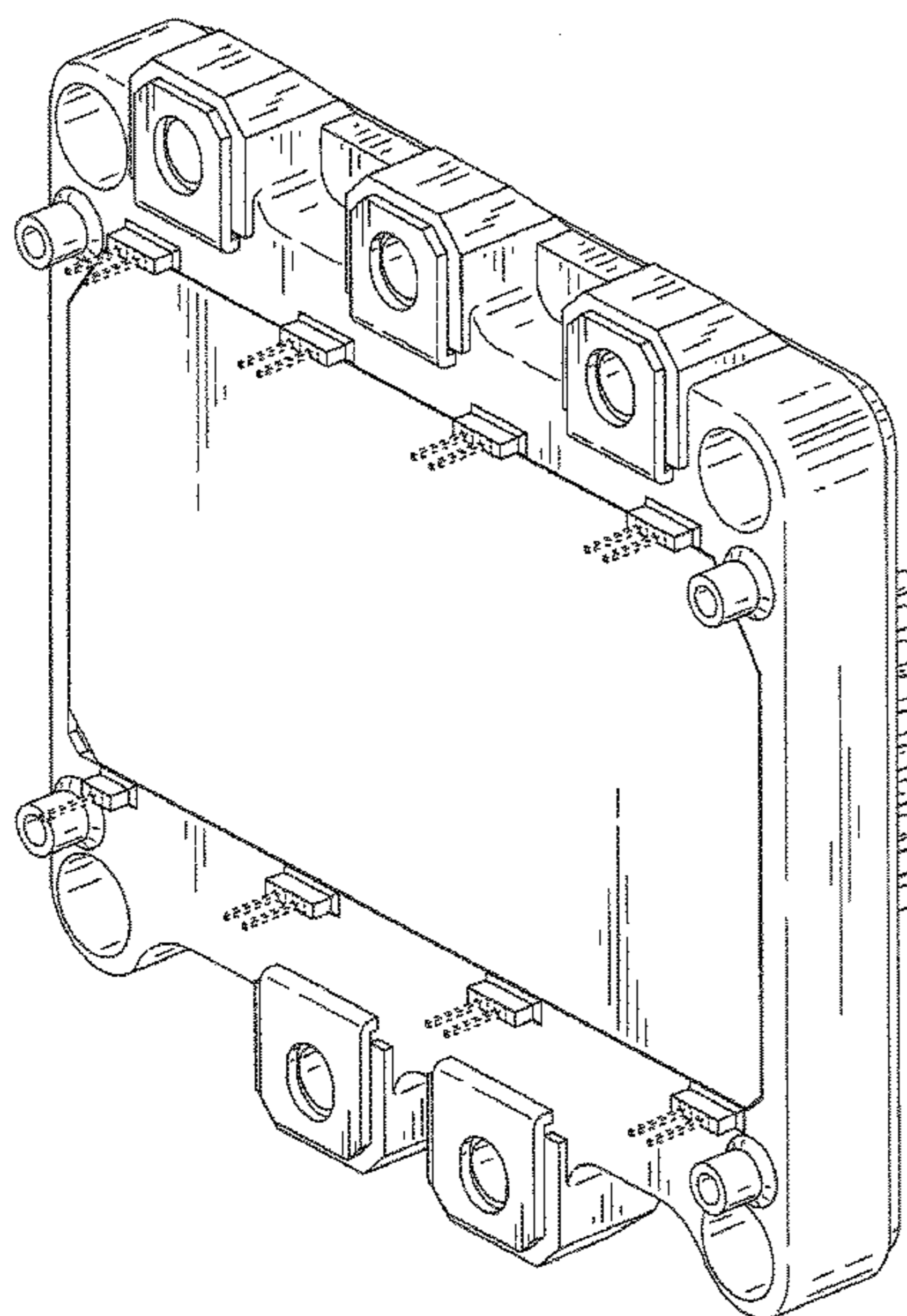
(57) **CLAIM**

The ornamental design for a semiconductor, as shown and described.

**DESCRIPTION**

FIG. 1 is a perspective view of front, top plan and right side of a semiconductor showing our new design;  
FIG. 2 is a front view thereof;  
FIG. 3 is a rear view thereof;  
FIG. 4 is a top plan view thereof;  
FIG. 5 is a bottom view thereof;  
FIG. 6 is a left side view thereof;  
FIG. 7 is a right side view thereof; and,  
FIG. 8 is a partial enlarged view at A-A', B-B' thereof.  
The portions of the article in broken lines are shown for illustrative purposes only and form no part of the claimed design.

**1 Claim, 6 Drawing Sheets**



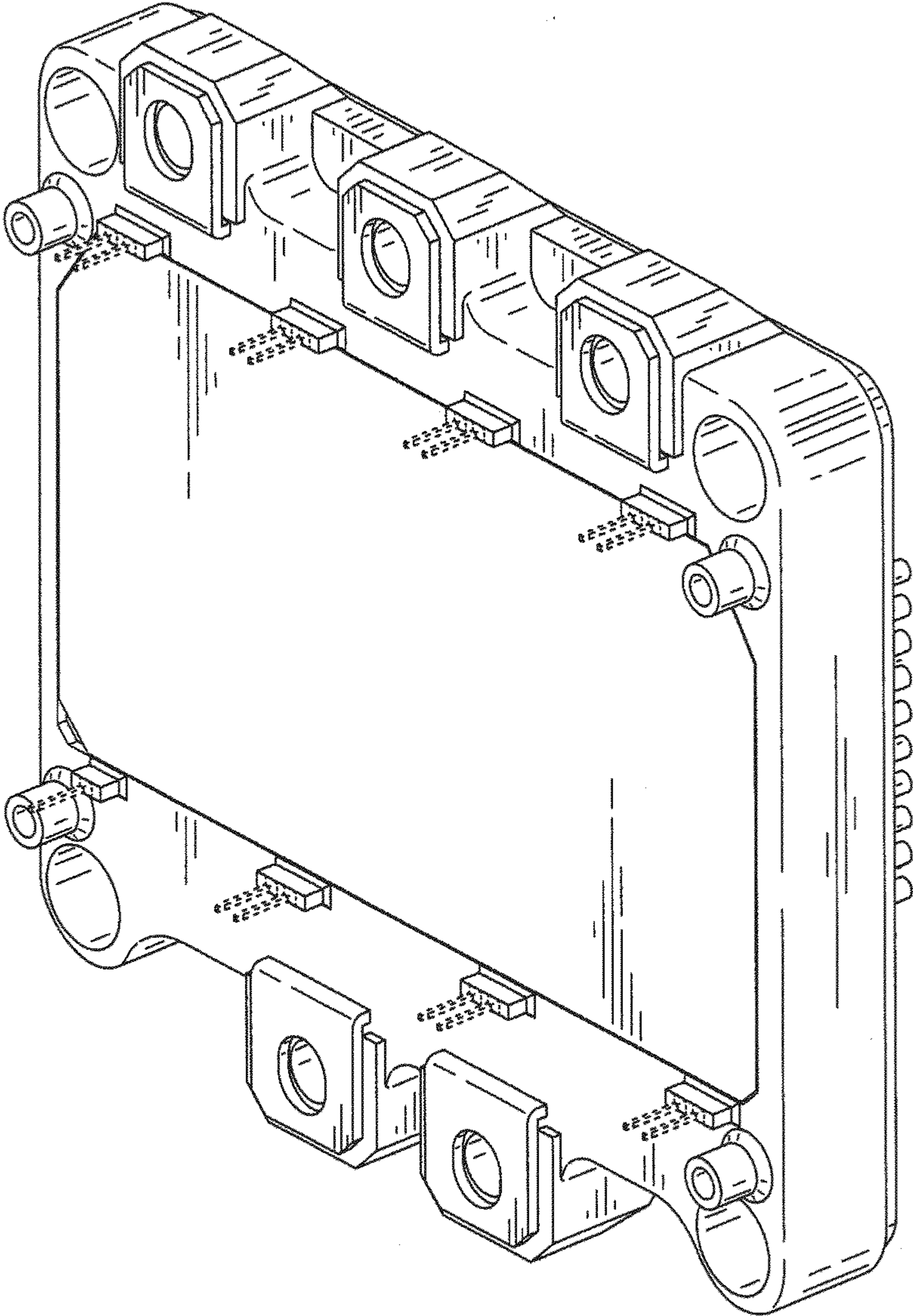


FIG. 1

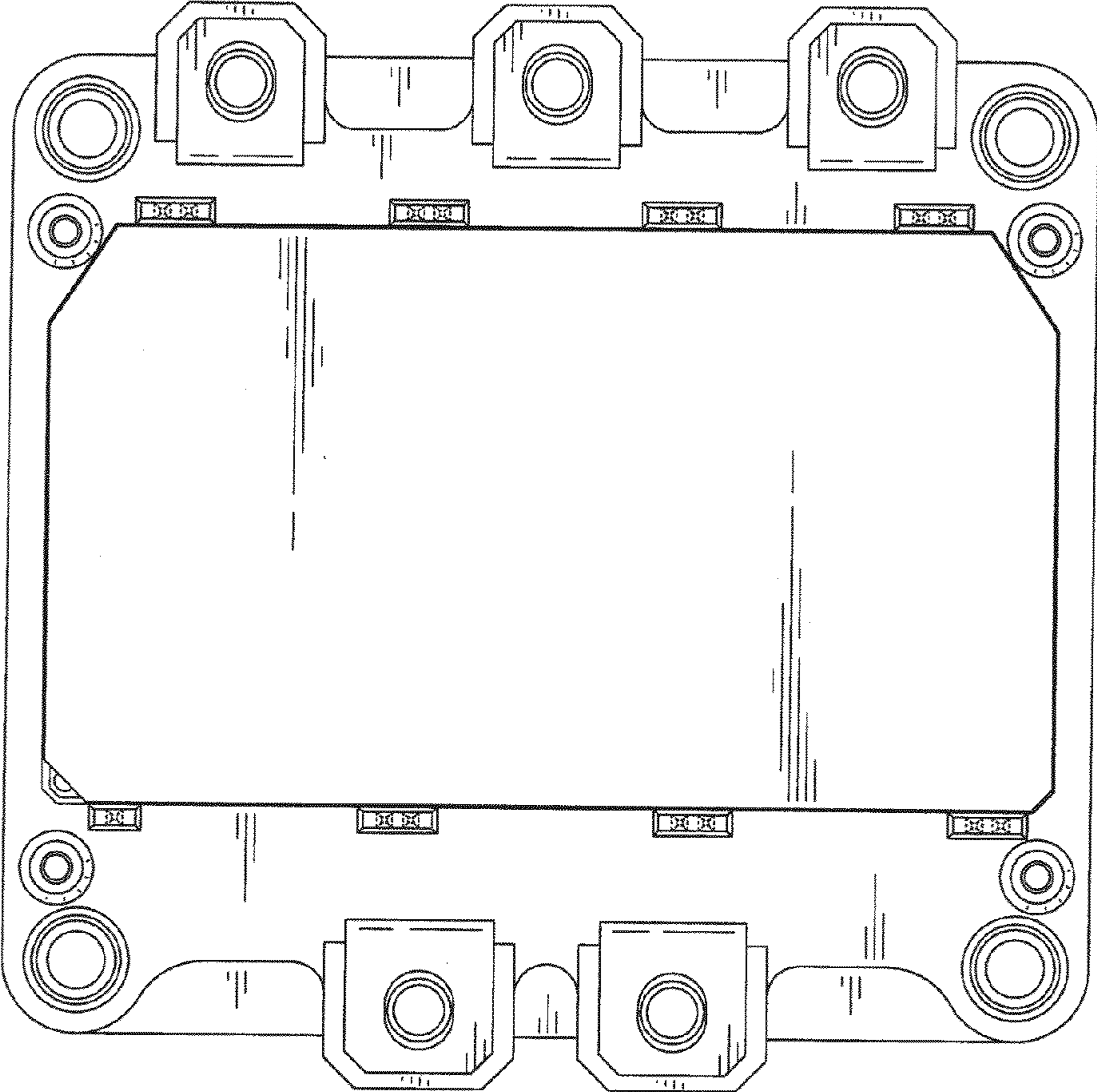


FIG. 2

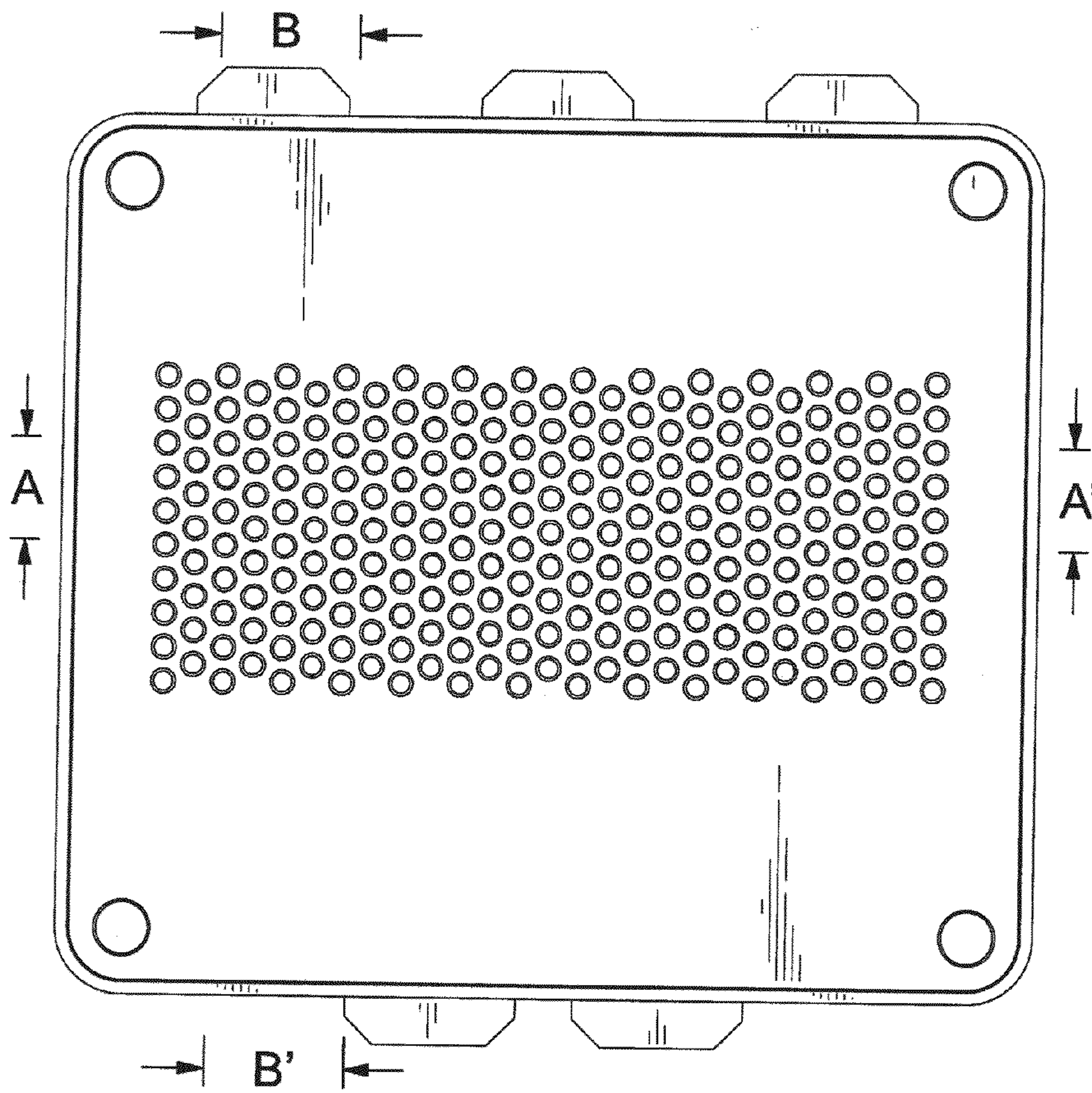
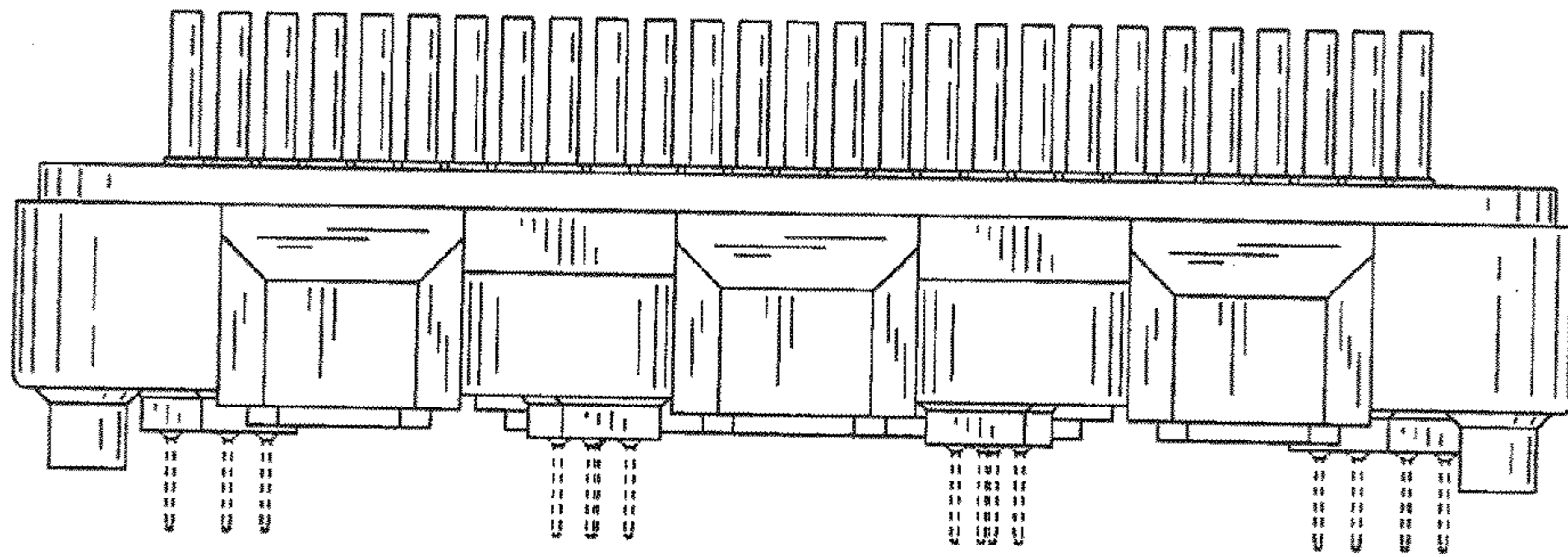
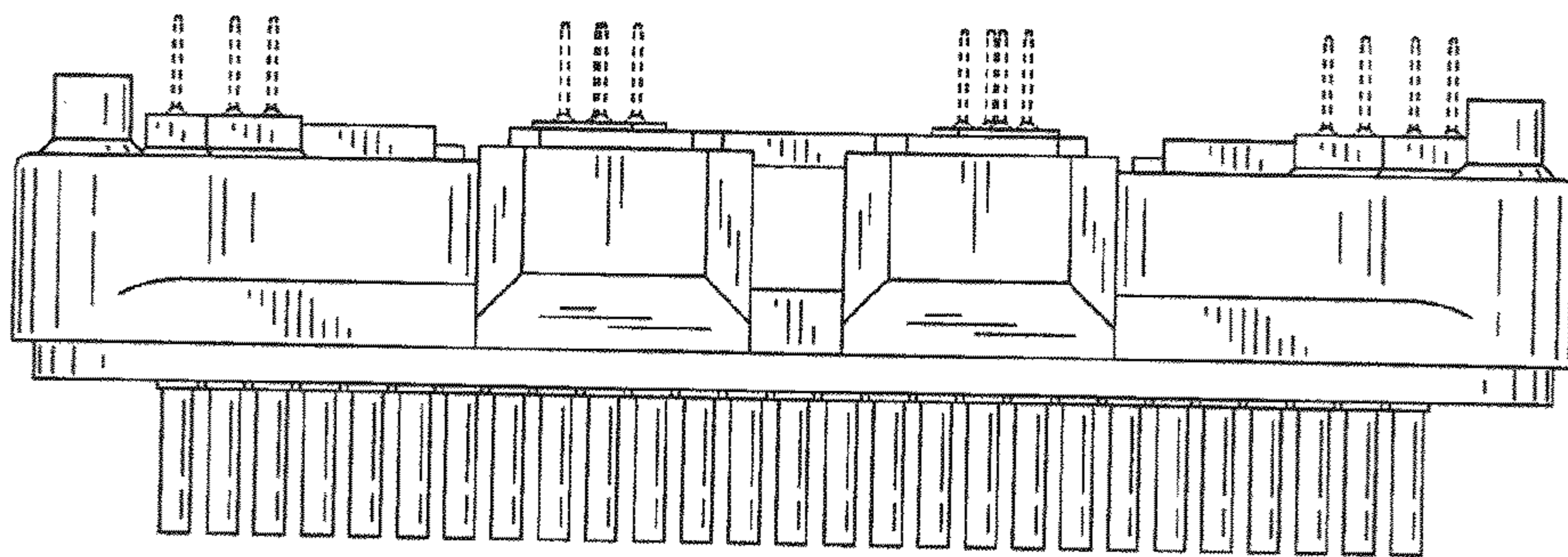


FIG. 3



*FIG. 4*



*FIG. 5*

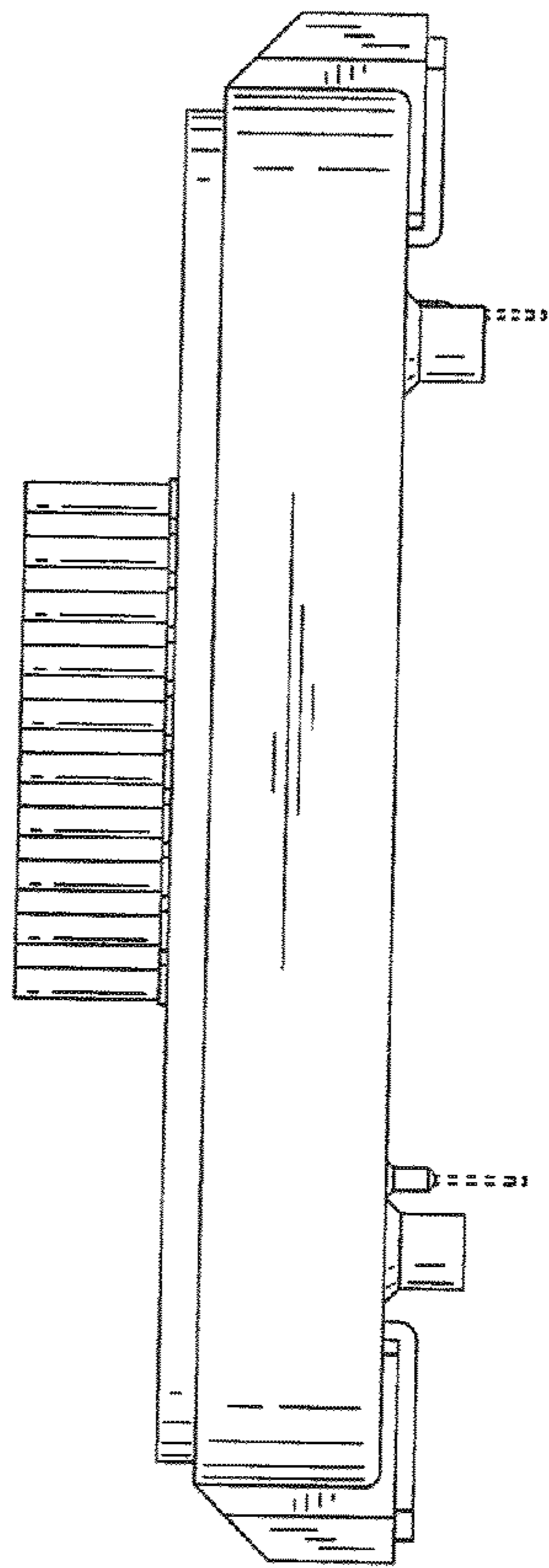


FIG. 6

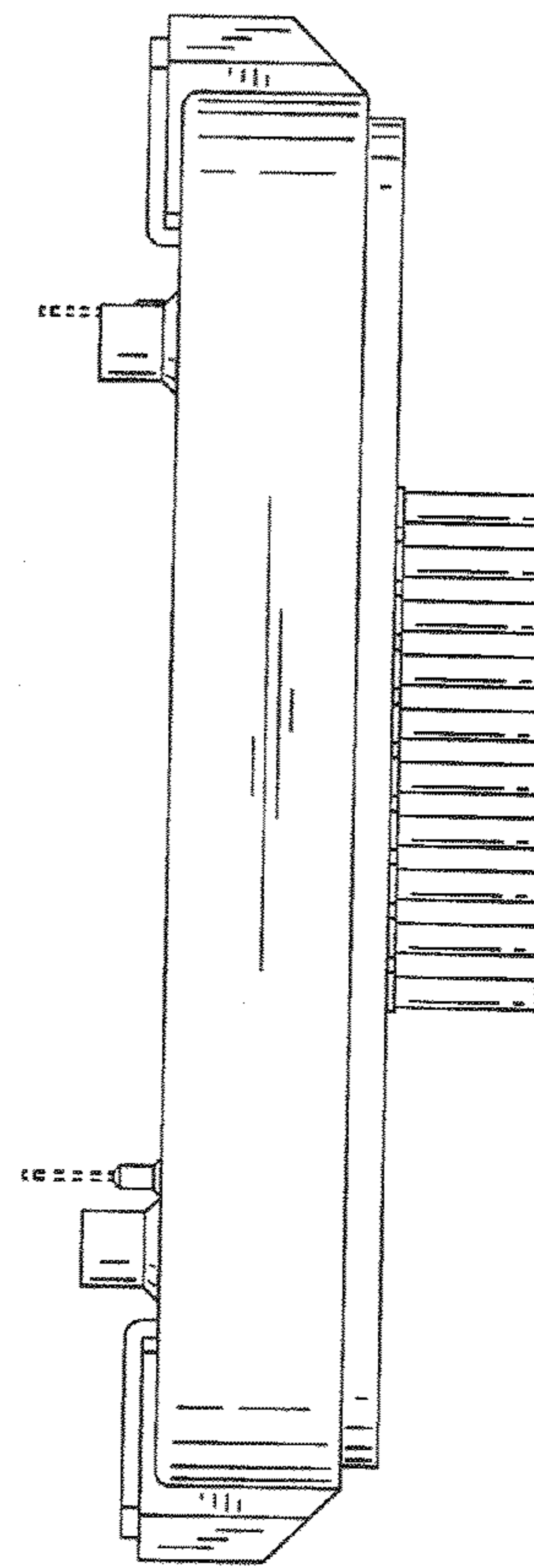
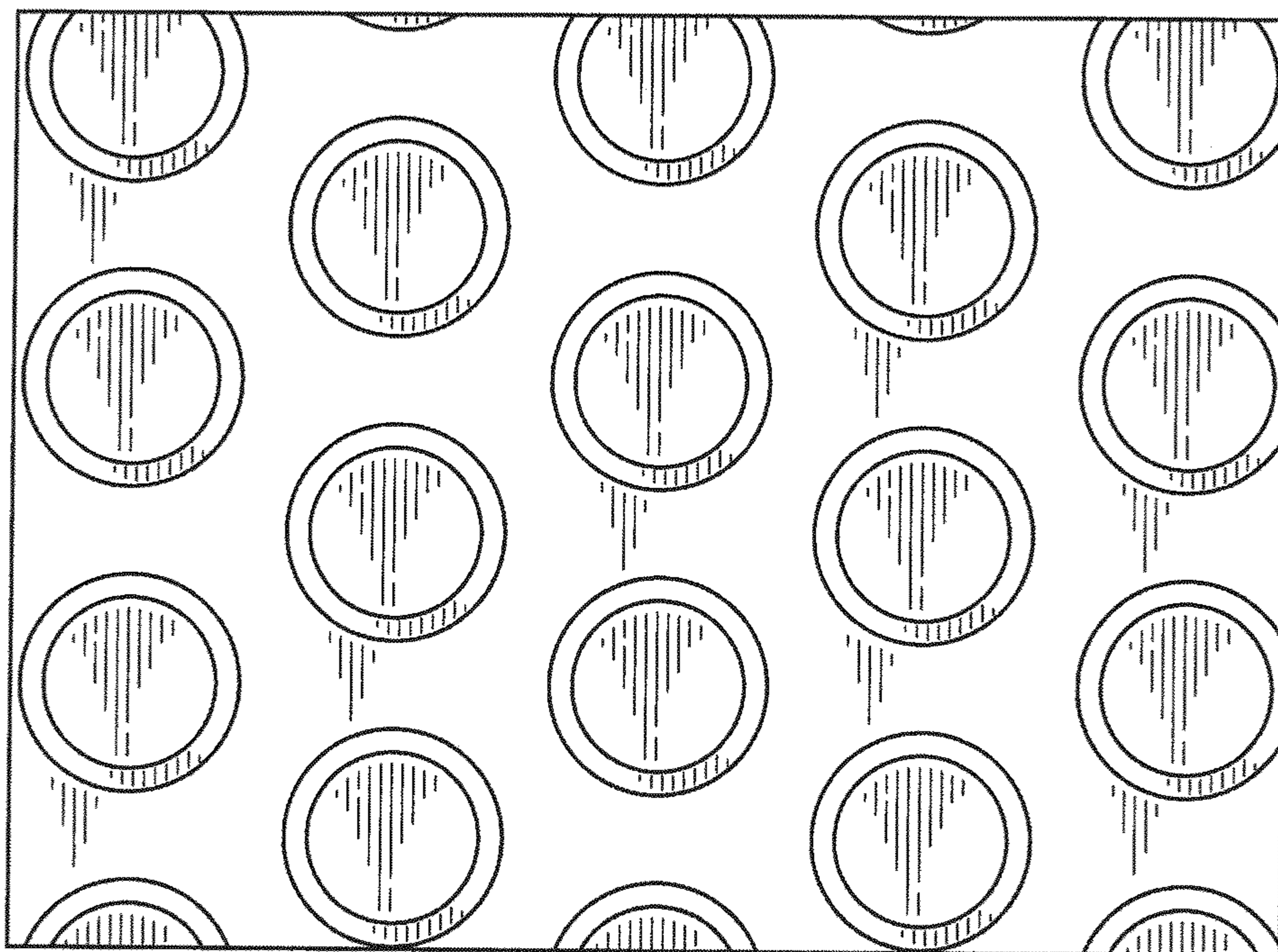


FIG. 7



**FIG. 8**