



US00D689445S

(12) **United States Design Patent**
Chu

(10) **Patent No.:** **US D689,445 S**

(45) **Date of Patent:** **** Sep. 10, 2013**

(54) **TOUCH-SENSITIVE LINEAR ADJUSTMENT SWITCH**

(71) Applicant: **Ching-Hsiung Chu**, New Taipei (TW)

(72) Inventor: **Ching-Hsiung Chu**, New Taipei (TW)

(**) Term: **14 Years**

(21) Appl. No.: **29/436,965**

(22) Filed: **Nov. 12, 2012**

(51) **LOC (9) Cl.** **13-03**

(52) **U.S. Cl.**

USPC **D13/174; D13/158**

(58) **Field of Classification Search**

USPC D13/123, 125, 158, 160, 162, 164, D13/171-176; 439/417-419, 395-404, 465, 439/695, 696, 701; D32/60, 61; 338/179, 338/198; 174/50, 66, 65 R, 67, 70 R, 77 R, 174/77 S, 92; 200/5 R, 43.11, 43.14, 50.01, 200/50.15, 293, 293.1, 303, 401; 361/42, 361/44, 45, 50, 71, 115, 118, 119, 679; 335/374, 68, 132, 202; 15/230.11; 401/121, 401/127, 137, 146, 197; D4/122, 123; D8/373-386

See application file for complete search history.

(56) **References Cited**

U.S. PATENT DOCUMENTS

3,732,384 A * 5/1973 Fischel 200/86 R
4,221,975 A * 9/1980 Ledniczki et al. 307/116

D307,578 S * 5/1990 Carson et al. D13/158
D425,810 S * 5/2000 Siller et al. D10/106.1
D520,947 S * 5/2006 Vinciarelli et al. D13/110
D525,204 S * 7/2006 Takaya et al. D13/146
D567,185 S * 4/2008 Mayo et al. D13/158
D601,976 S * 10/2009 Petrillo et al. D13/168
7,659,485 B2 * 2/2010 Grzan et al. 200/61.41
D626,921 S * 11/2010 Pang D13/158
D646,640 S * 10/2011 Clymer et al. D13/160
D649,114 S * 11/2011 Brookshire et al. D13/110
D667,789 S * 9/2012 O'Neil D13/110

* cited by examiner

Primary Examiner — Thomas Johannes

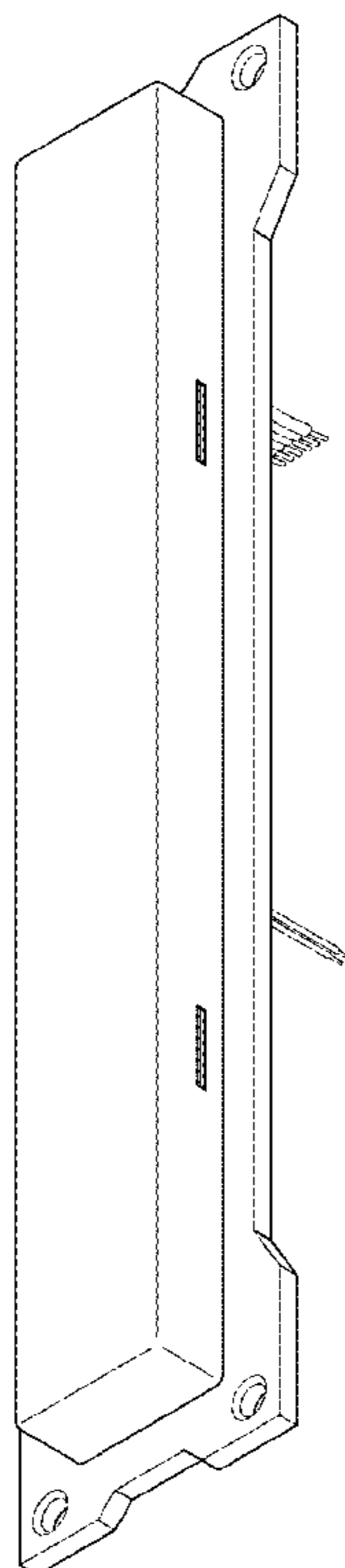
(57) **CLAIM**

The ornamental design for a touch-sensitive linear adjustment switch, as shown and described.

DESCRIPTION

FIG. 1 is a perspective view of a touch-sensitive linear adjustment switch showing my new design; FIG. 2 is a front view thereof; FIG. 3 is a rear view thereof; FIG. 4 is a left-side view thereof; FIG. 5 is a right-side view thereof; FIG. 6 is a top view thereof; FIG. 7 is a bottom view thereof; and, FIG. 8 is a bottom perspective view thereof. The claimed touch-sensitive linear adjustment switch is typically mounted to a flat surface when in use.

1 Claim, 6 Drawing Sheets



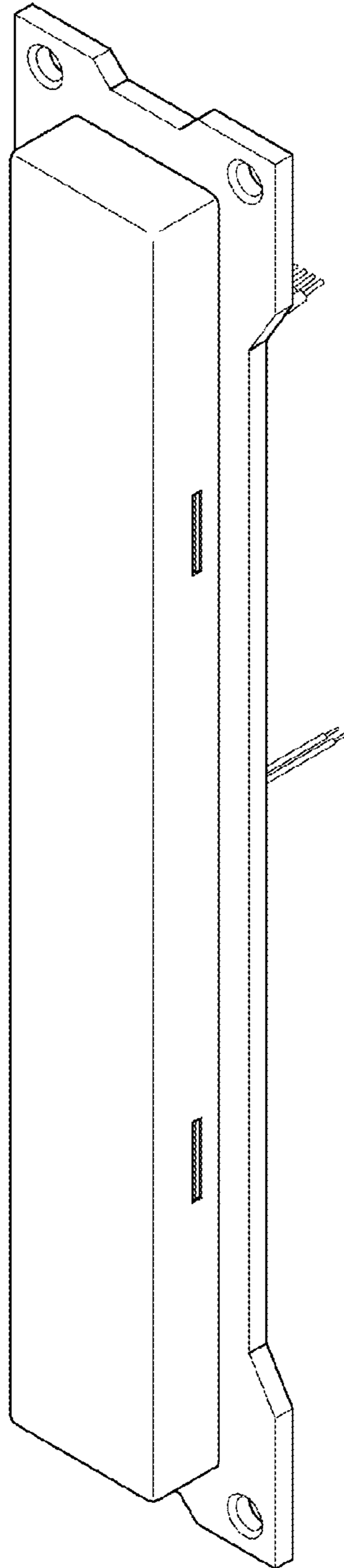


Fig. 1

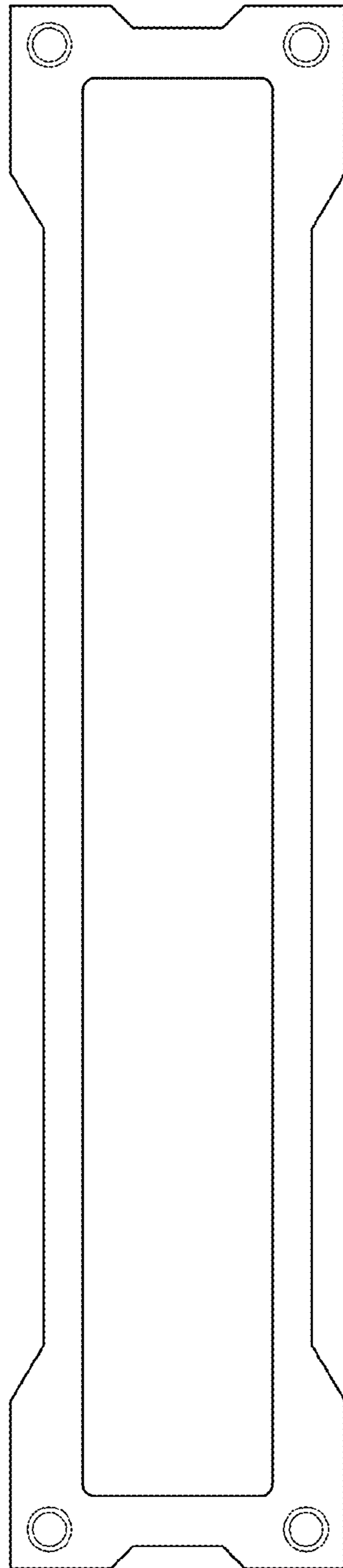


Fig. 2

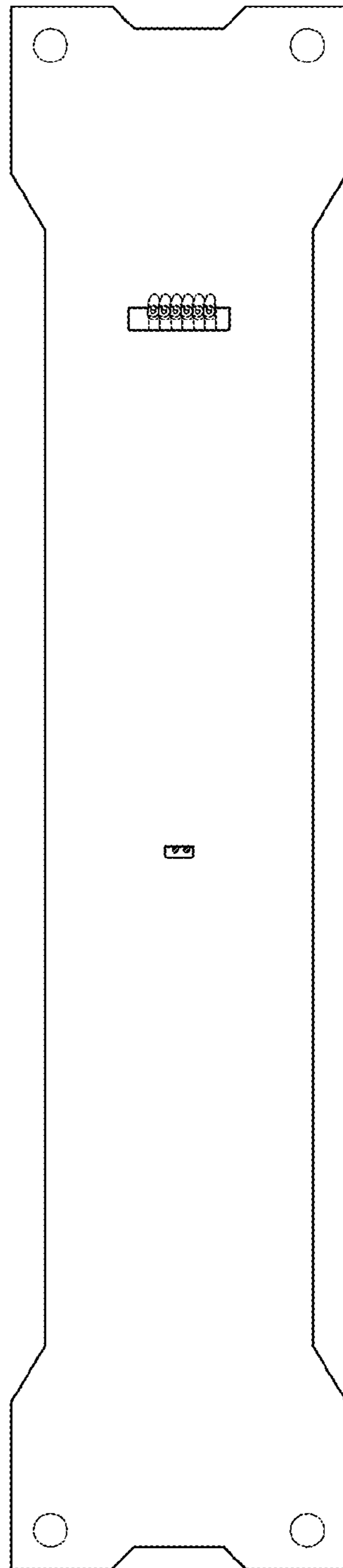


Fig. 3

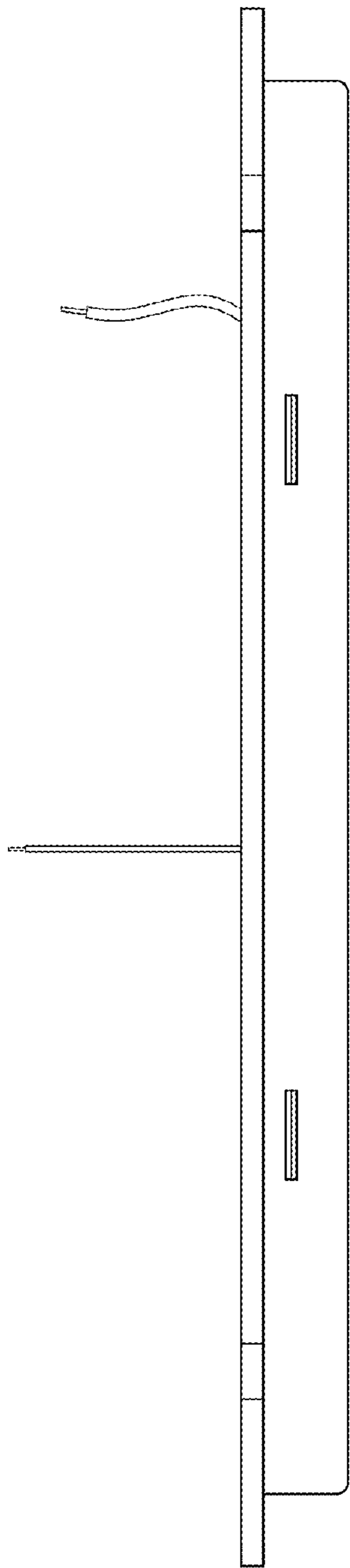


Fig. 4

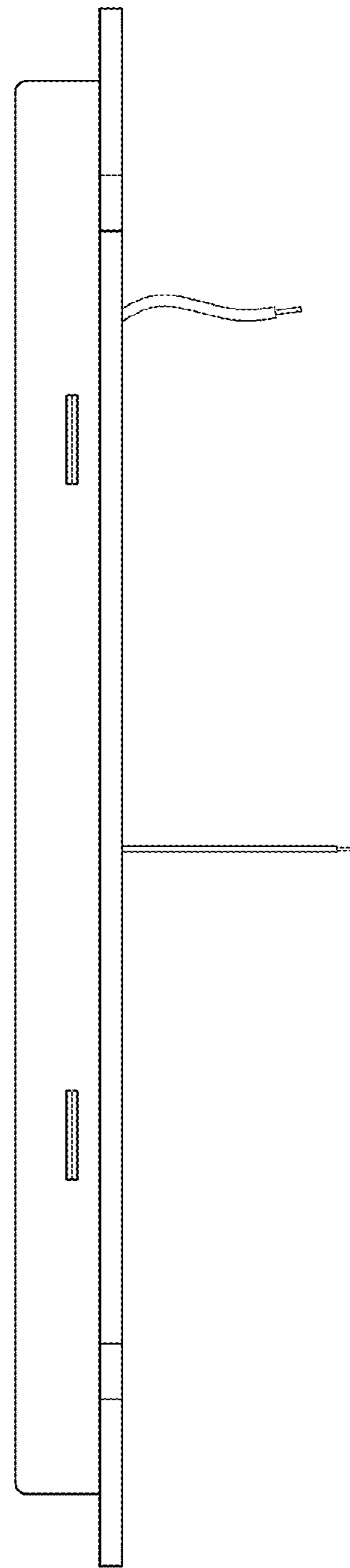


Fig. 5

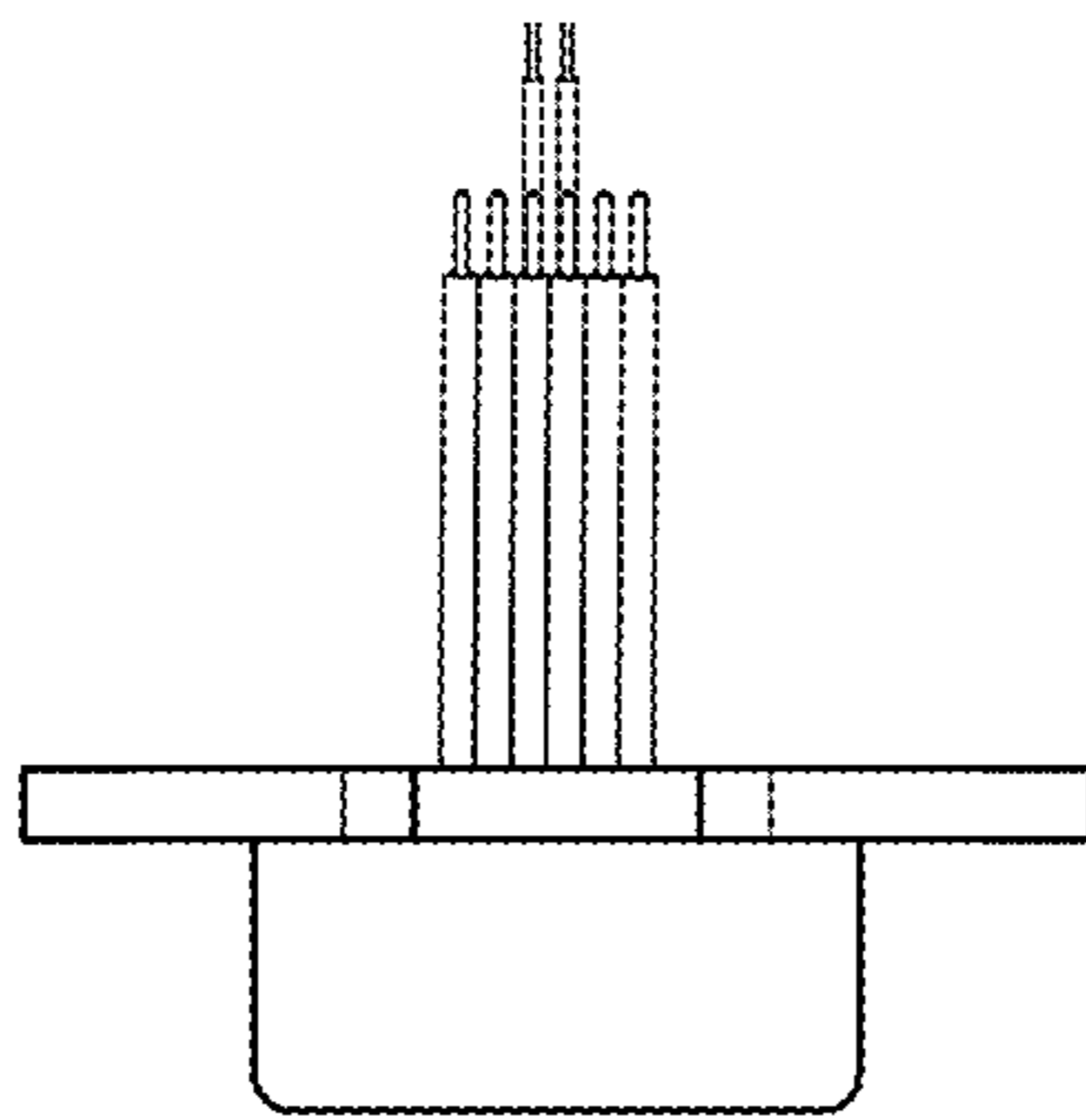


Fig. 6

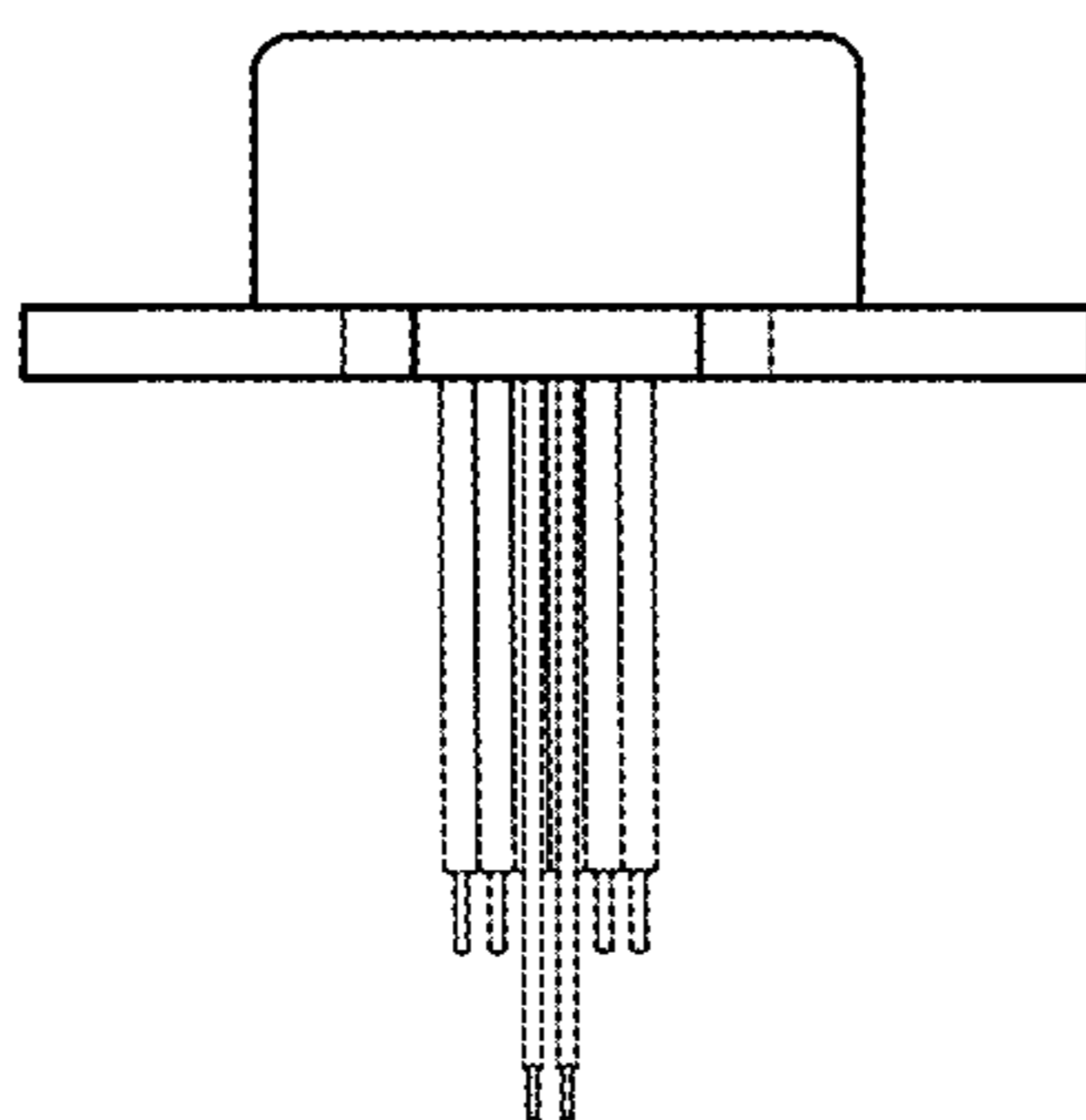


Fig. 7

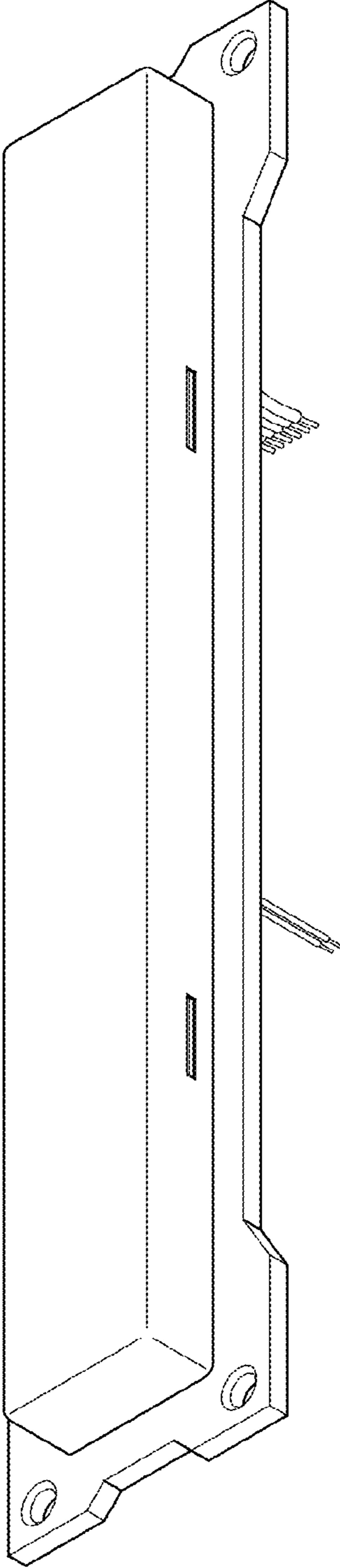


Fig. 8