



US00D689443S

(12) **United States Design Patent**  
**Ewringmann**

(10) **Patent No.:** **US D689,443 S**

(45) **Date of Patent:** **\*\* Sep. 10, 2013**

(54) **CONTROL PANEL FOR A PAVING MACHINE**

(71) Applicant: **Joseph Vogele AG**, Ludwigshafen/Rhein (DE)

(72) Inventor: **Ulrich Ewringmann**, Taufkirchen-Potzham (DE)

(73) Assignee: **Joseph Vogele AG**, Ludwigshafen/Rhein (DE)

(\*\*) Term: **14 Years**

(21) Appl. No.: **29/433,443**

(22) Filed: **Sep. 28, 2012**

(30) **Foreign Application Priority Data**

Mar. 20, 2012 (EP) ..... 001322689

(51) **LOC (9) Cl.** ..... **13-03**

(52) **U.S. Cl.**  
USPC ..... **D13/168**; D13/164; D15/28

(58) **Field of Classification Search**  
USPC ..... D15/28; D13/162, 164, 168; D14/217, D14/396, 400; D34/34, 35; 318/700, 701; 180/315, 316, 325, 19.1, 19.3, 90; 361/679, 361/680, 690; 700/90, 160, 17, 83; 296/70; 280/43.12, 752

See application file for complete search history.

(56) **References Cited**

**U.S. PATENT DOCUMENTS**

D255,563 S \* 6/1980 Brooksby et al. .... D13/168  
D277,795 S \* 2/1985 Griffiths ..... D34/35  
5,250,930 A \* 10/1993 Yoshida et al. .... 345/168  
D398,289 S \* 9/1998 Burke ..... D13/162  
D428,599 S \* 7/2000 Copeland ..... D13/162

D432,963 S \* 10/2000 Meinhardt ..... D12/192  
D444,750 S \* 7/2001 Meinhardt ..... D12/192  
D513,737 S \* 1/2006 Riley ..... D13/164  
D525,212 S \* 7/2006 Kim ..... D13/162  
D525,409 S \* 7/2006 Cantrill et al. .... D34/35  
D553,580 S \* 10/2007 Hobson ..... D13/164  
D576,563 S \* 9/2008 Kaluza ..... D13/162  
D590,122 S \* 4/2009 Shaw et al. .... D34/35  
D641,712 S \* 7/2011 Berning et al. .... D13/164  
D642,133 S \* 7/2011 Berning et al. .... D13/164

\* cited by examiner

*Primary Examiner* — Mark Goodwin

(74) *Attorney, Agent, or Firm* — Fish & Richardson P.C.

(57) **CLAIM**

The ornamental design for a control panel for a paving machine, substantially as shown and described.

**DESCRIPTION**

FIG. 1 shows a perspective view of the control panel for a paving machine of the present invention;  
FIG. 2 shows a further perspective view of the control panel for a paving machine of the present invention;  
FIG. 3 shows a front view of the control panel for a paving machine of the present invention;  
FIG. 4 shows a back view of the control panel for a paving machine of the present invention;  
FIG. 5 shows a left side view of the control panel for a paving machine of the present invention;  
FIG. 6 shows a right side view of the control panel for a paving machine of the present invention;  
FIG. 7 shows a top view of the control panel for a paving machine of the present invention; and,  
FIG. 8 shows a bottom view of the control panel for a paving machine of the present invention.

**1 Claim, 8 Drawing Sheets**

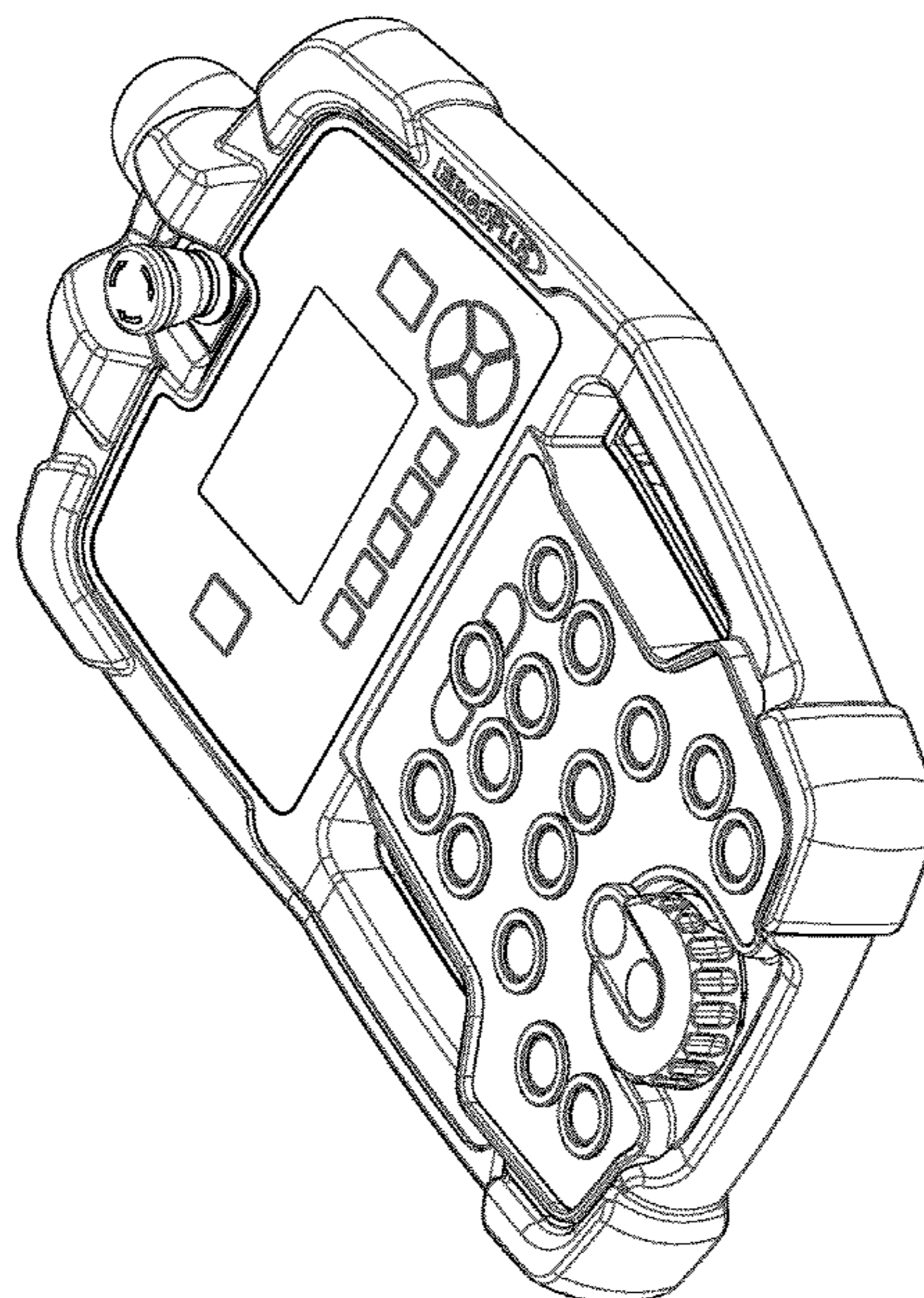


FIG. 1

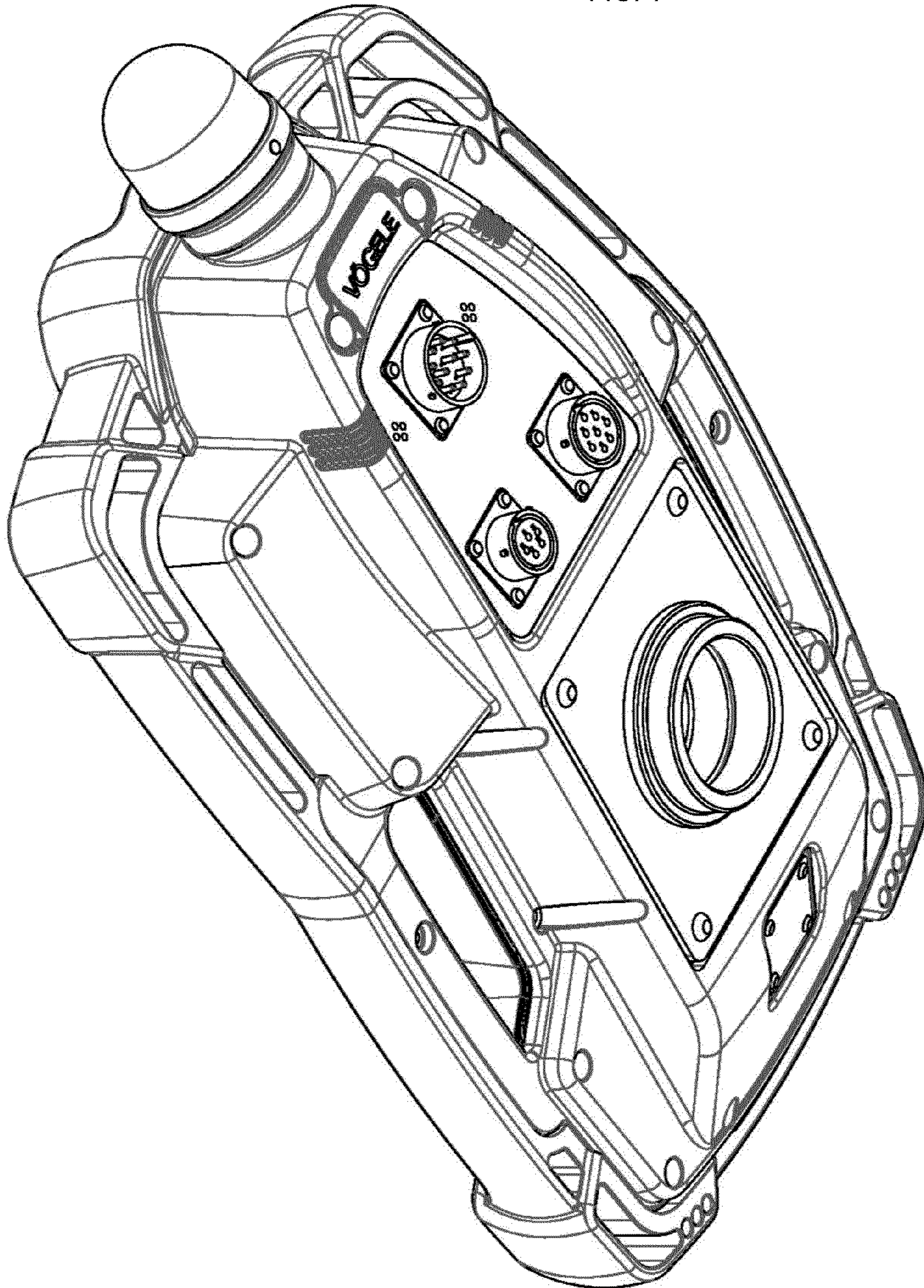


FIG. 2

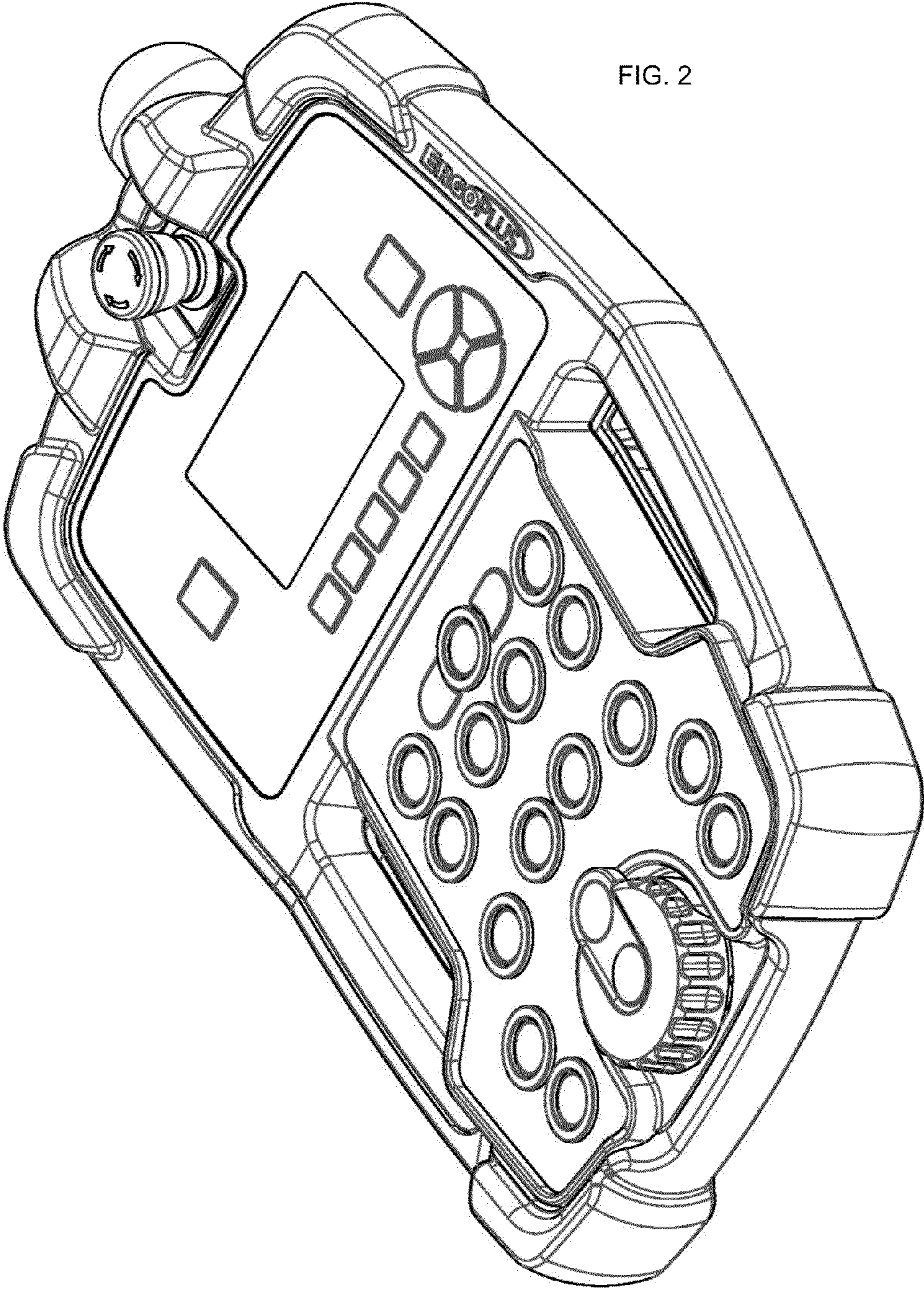


FIG. 3

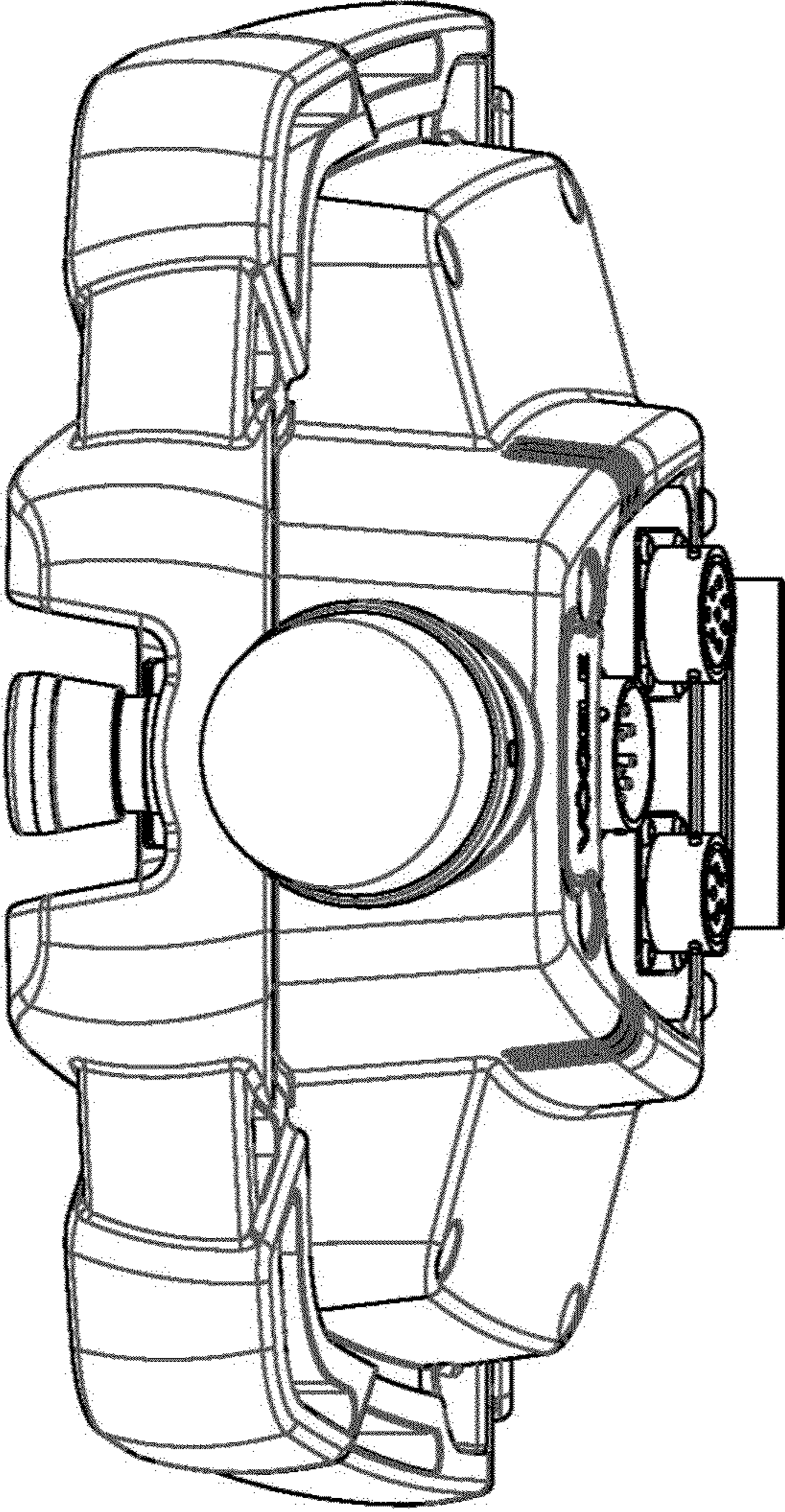


FIG. 4

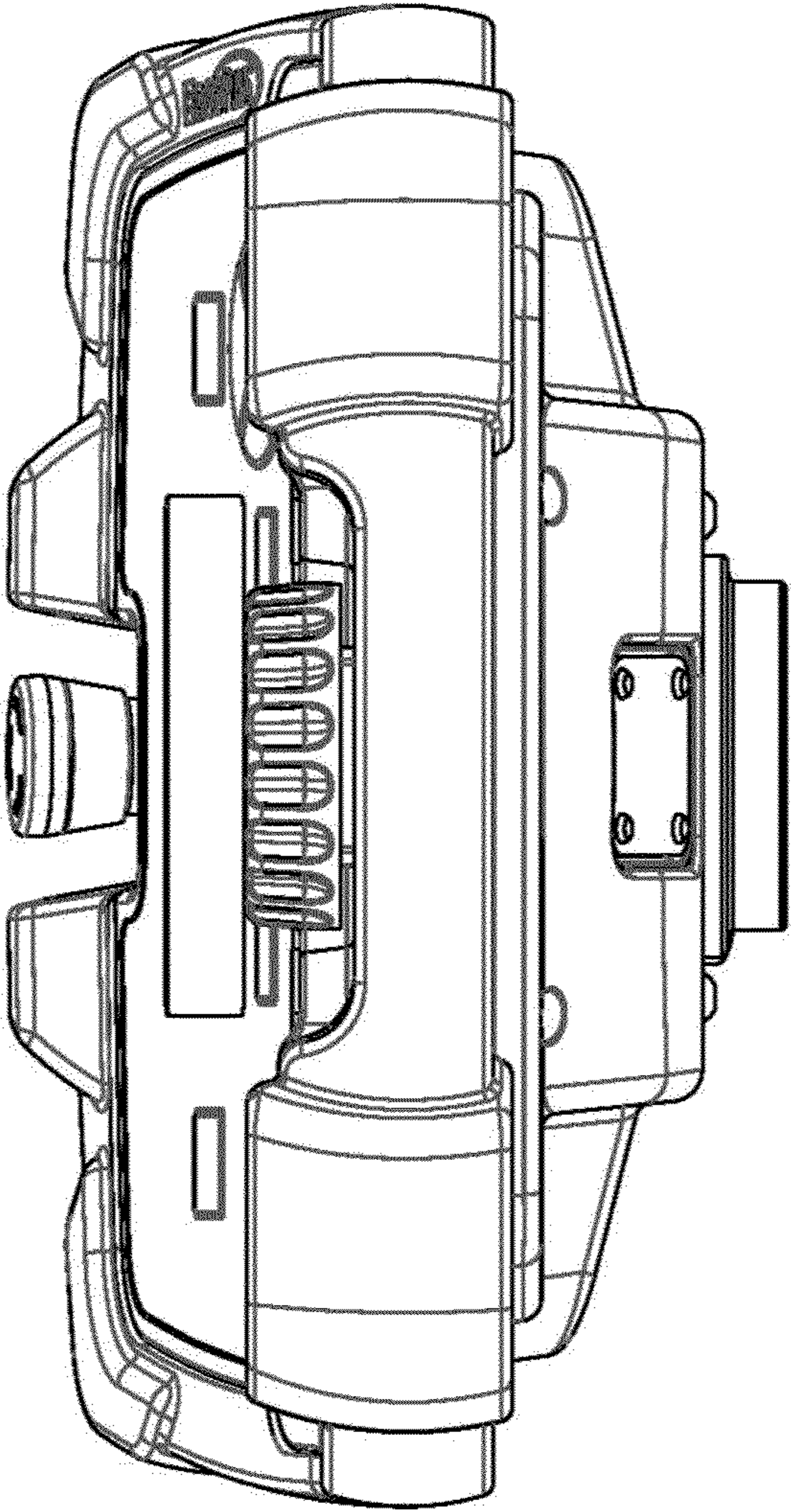


FIG. 5

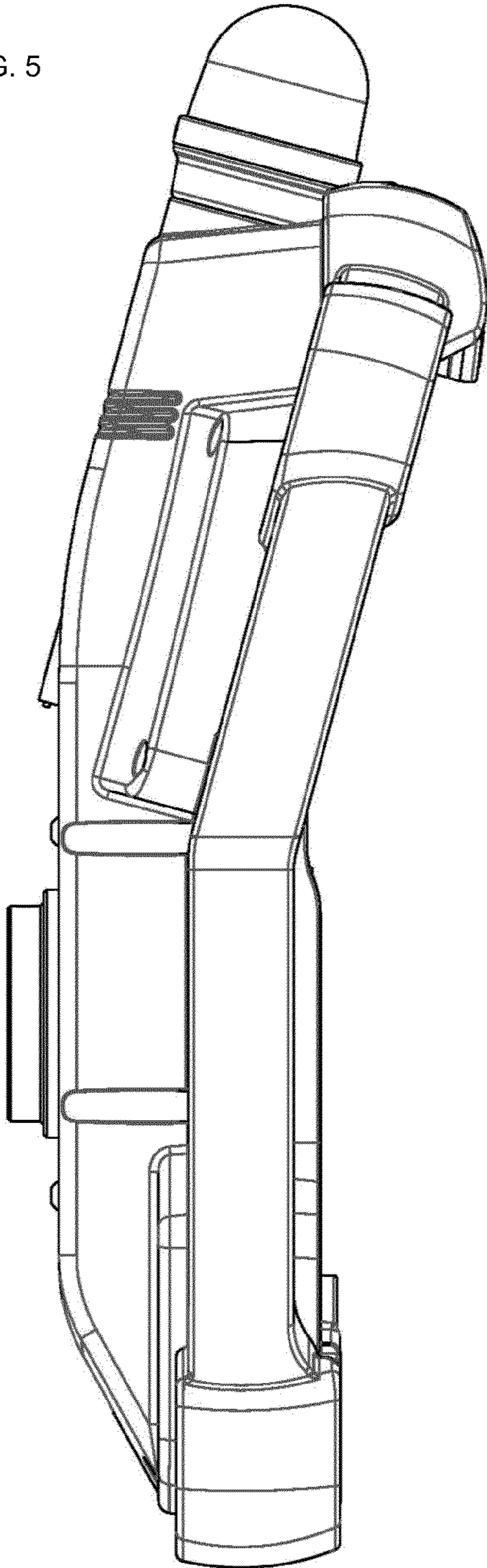


FIG. 6

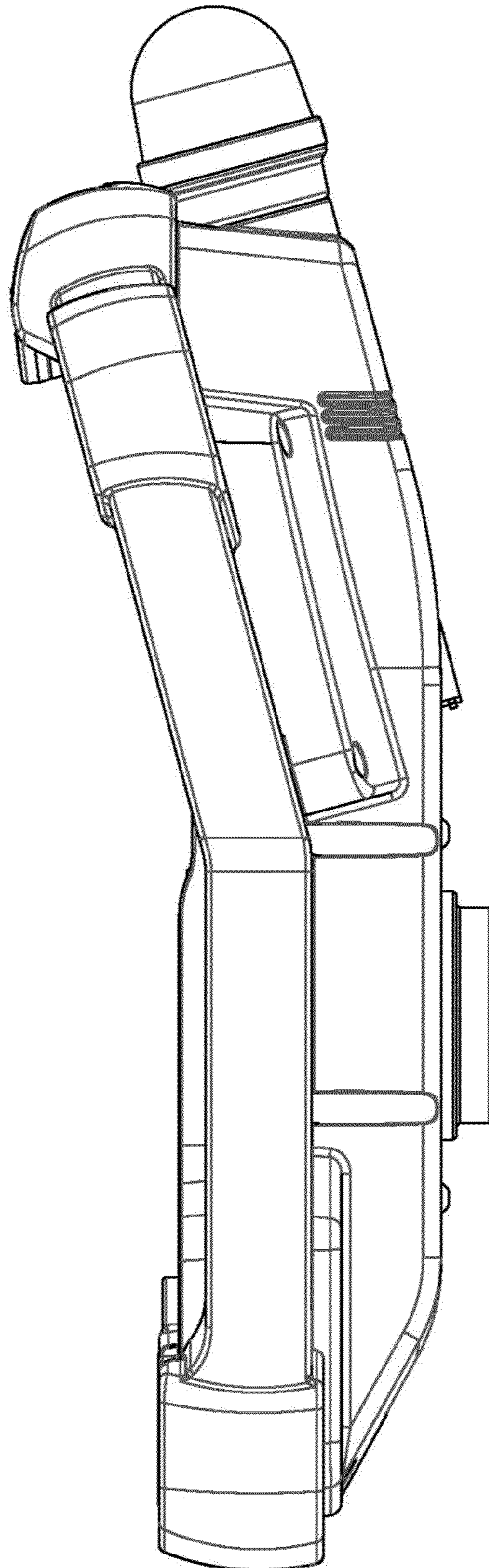


FIG. 7

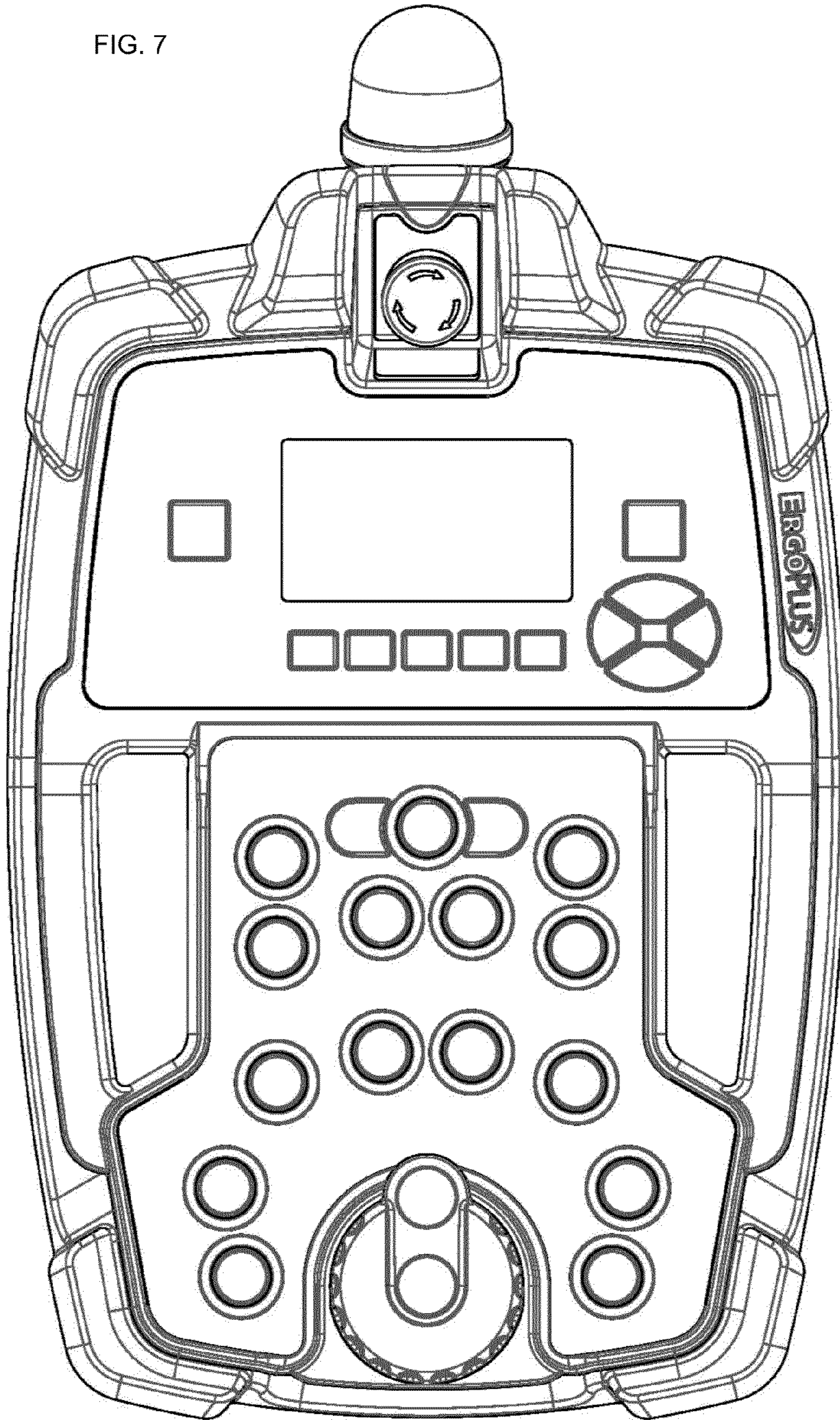




FIG. 8

