



US00D689441S

(12) **United States Design Patent**  
**Kah, Jr. et al.**

(10) **Patent No.:** **US D689,441 S**  
(45) **Date of Patent:** **\*\* Sep. 10, 2013**

(54) **CONTROL ENCLOSURE**  
(75) Inventors: **Carl L. C. Kah, Jr.**, North Palm Beach, FL (US); **Carl L. C. Kah, III**, North Palm Beach, FL (US); **Frederick A. Hall**, Riviera Beach, FL (US)

(73) Assignee: **K-Rain Manufacturing Corp.**, Riviera Beach, FL (US)

(\*\*) Term: **14 Years**

(21) Appl. No.: **29/380,392**

(22) Filed: **Dec. 3, 2010**

(51) **LOC (9) Cl.** ..... **13-03**

(52) **U.S. Cl.**  
USPC ..... **D13/162**

(58) **Field of Classification Search**  
USPC D13/162, 164; D10/46, 49, 96; 137/624.11; 239/69; 361/622, 627, 628, 643; 700/284  
See application file for complete search history.

(56) **References Cited**

U.S. PATENT DOCUMENTS

6,721,630	B1 *	4/2004	Woytowitz	700/284
D492,264	S *	6/2004	Perez et al.	D13/162
D517,020	S *	3/2006	Cook et al.	D13/162
D546,772	S *	7/2007	Venegas et al.	D13/162
7,257,465	B2 *	8/2007	Perez et al.	700/284
7,276,659	B2 *	10/2007	Thrift et al.	174/50
7,326,853	B2 *	2/2008	Fontana et al.	174/50

D581,880	S *	12/2008	Neitzel et al.	D13/162
7,792,612	B2 *	9/2010	Kah, Jr.	700/284
7,915,528	B2 *	3/2011	Ni	174/53
2005/0055106	A1 *	3/2005	Beutler et al.	700/11
2005/0273205	A1 *	12/2005	Nickerson et al.	700/284
2006/0030971	A1 *	2/2006	Nelson et al.	700/284
2007/0179674	A1 *	8/2007	Ensworth et al.	700/284
2010/0030476	A1 *	2/2010	Woytowitz et al.	702/3

\* cited by examiner

Primary Examiner — Selina Sikder

(74) *Attorney, Agent, or Firm* — Ostrolenk Faber LLP

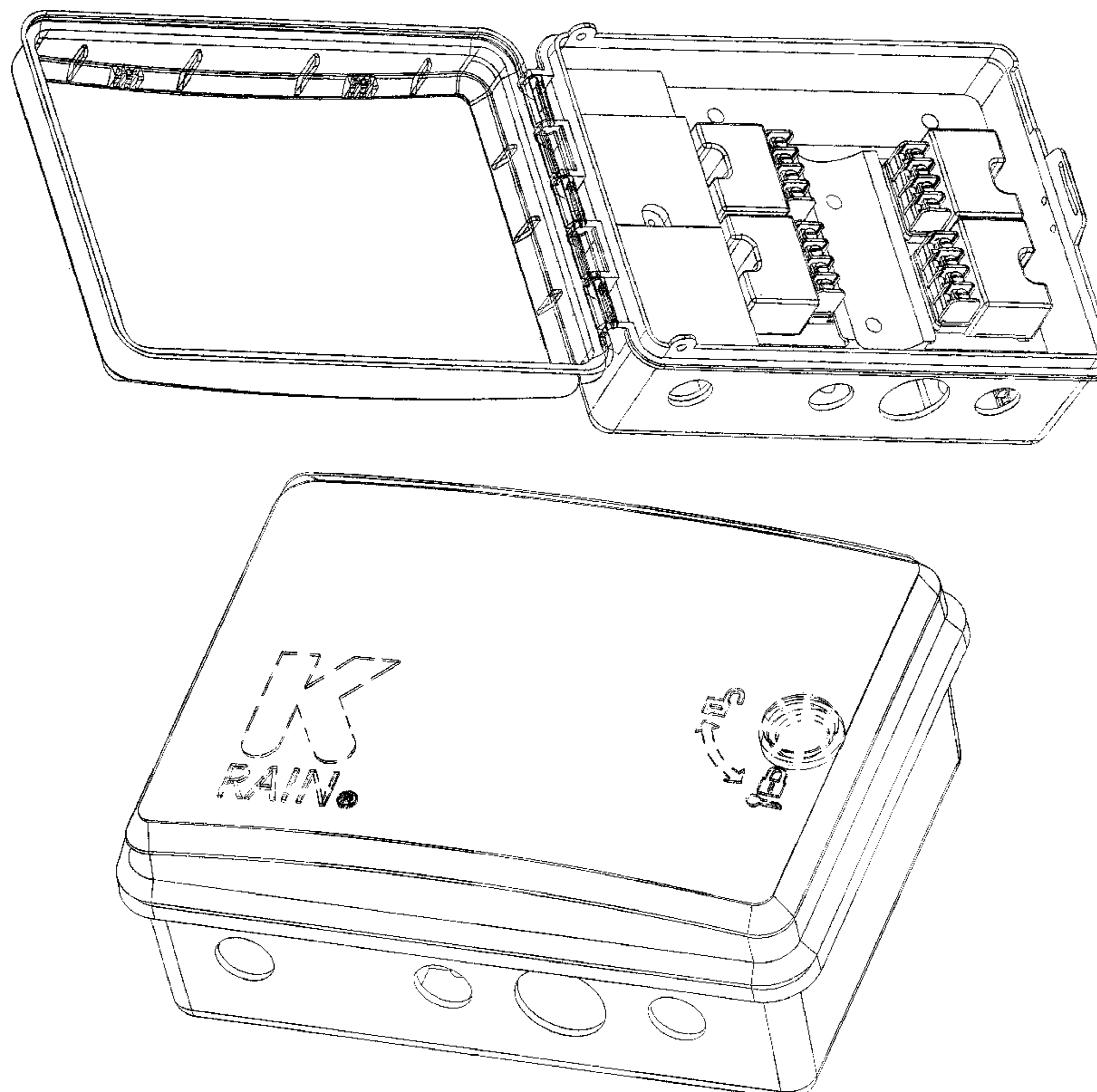
(57) **CLAIM**

The ornamental design for a control enclosure, as shown and described.

**DESCRIPTION**

FIG. 1 is a top and front perspective view of a control enclosure showing our design in the open position; FIG. 2 is a top plan view thereof; FIG. 3 is a bottom plan view thereof; FIG. 4 is a front view thereof; FIG. 5 is a rear view thereof; FIG. 6 is a right side view thereof; FIG. 7 is a left side view thereof; and, FIG. 8 is a top and front perspective view of the control enclosure of FIGS. 8-15 in the closed position. The broken lines show environmental matter that forms no part of the claimed design.

**1 Claim, 8 Drawing Sheets**



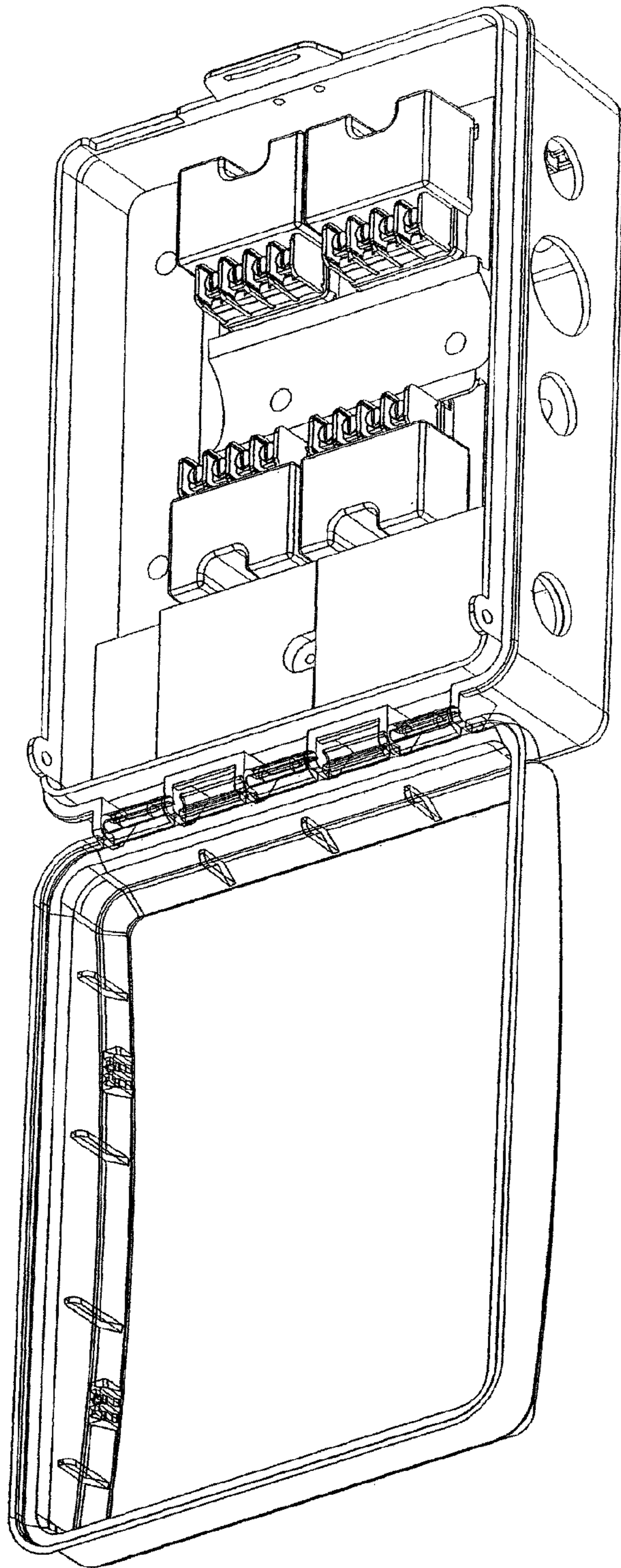


FIG. 1

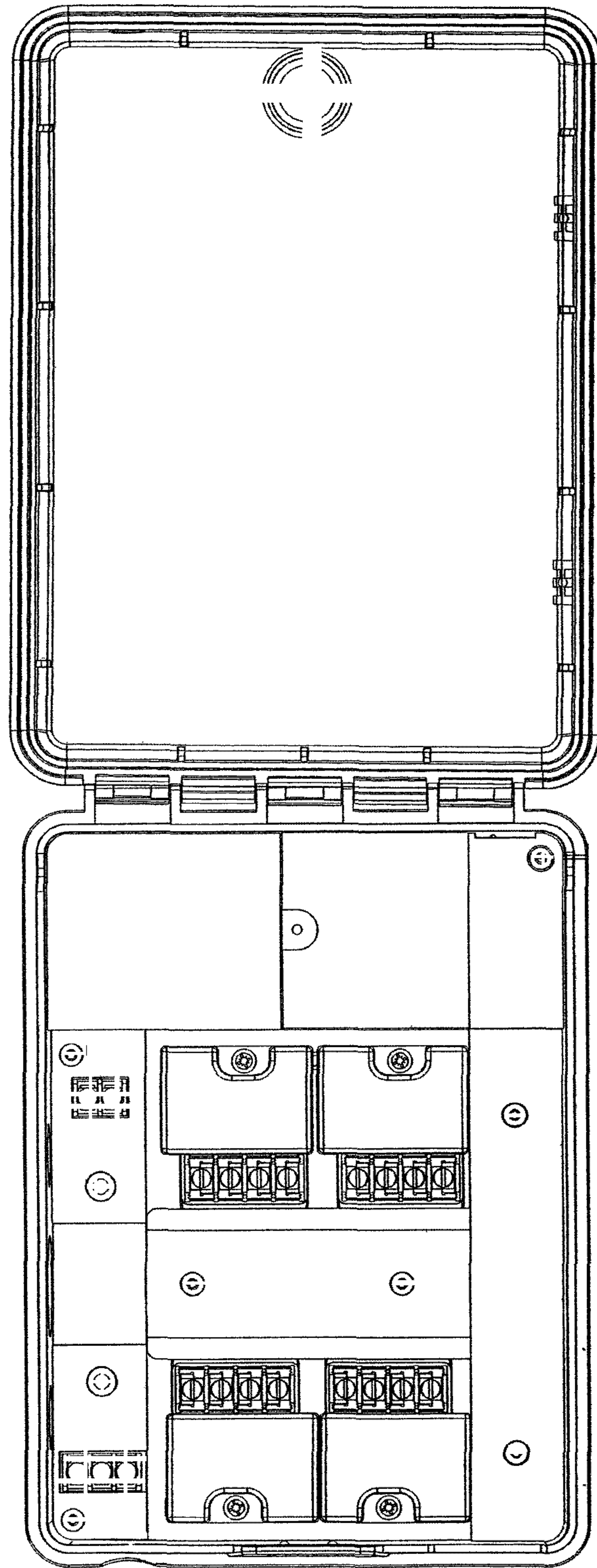


FIG. 2

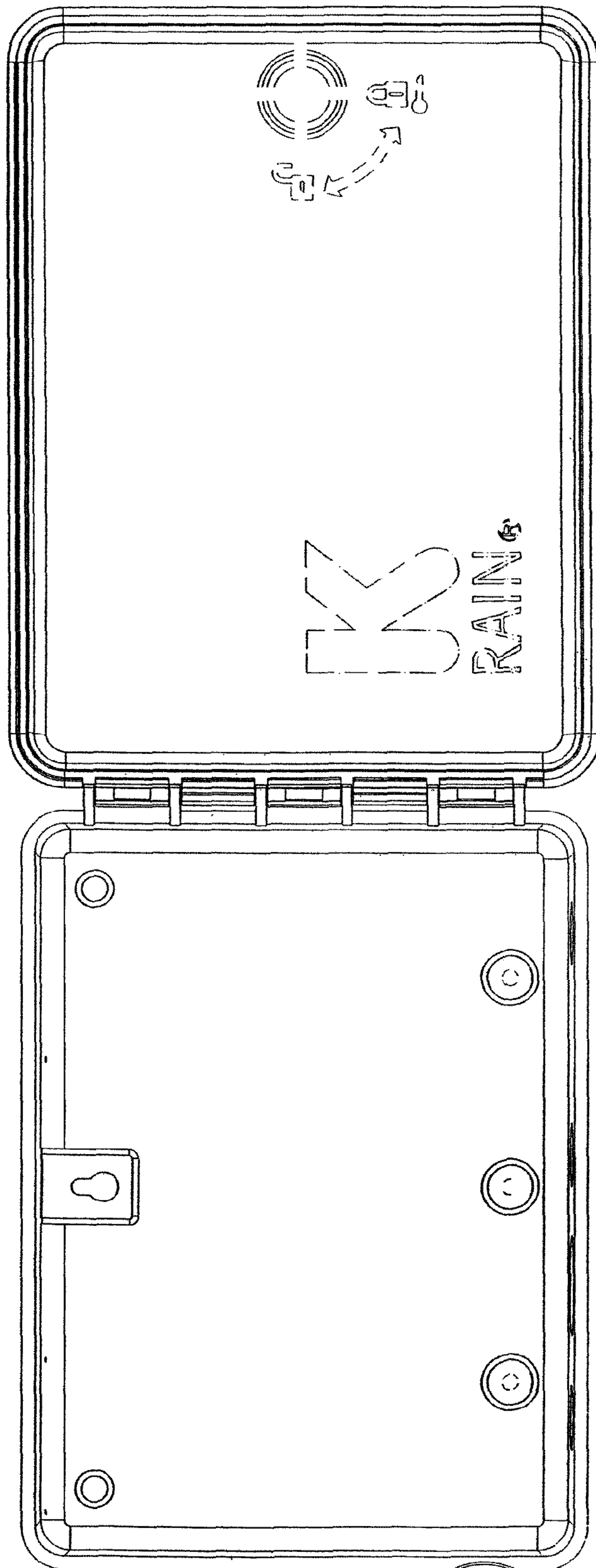


FIG. 3

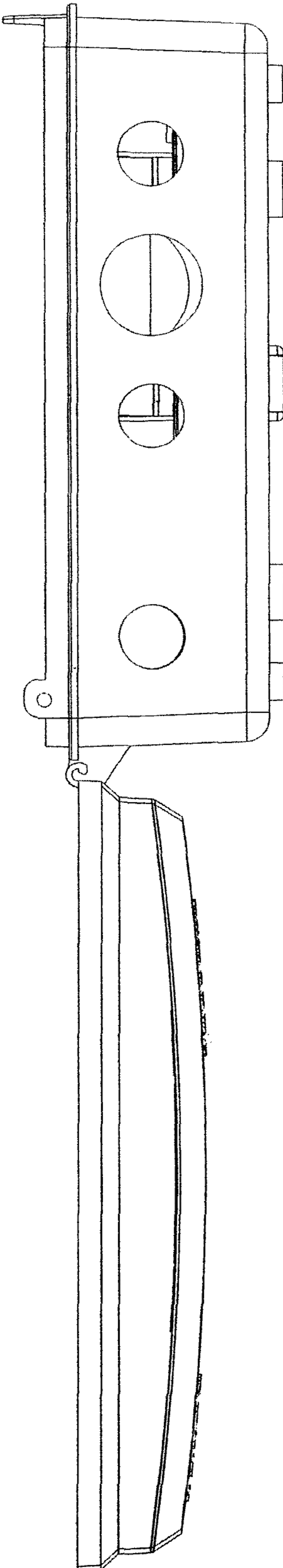


FIG. 4

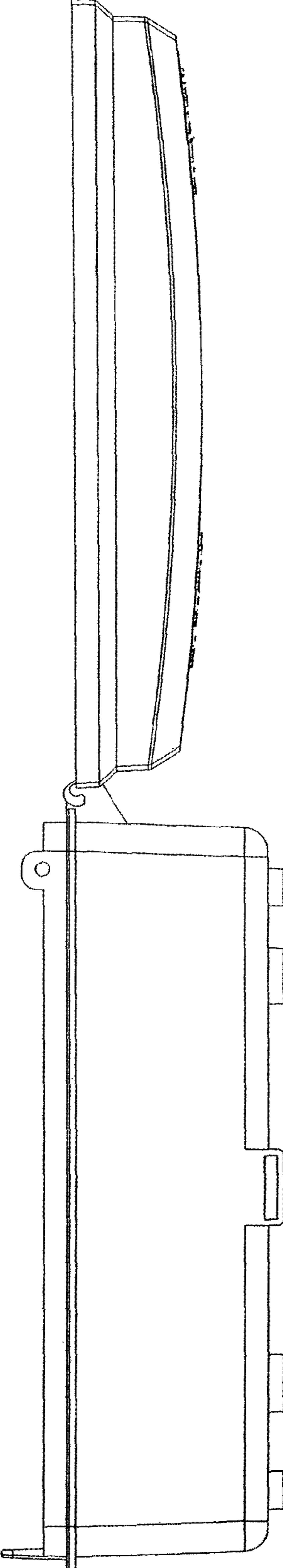


FIG. 5

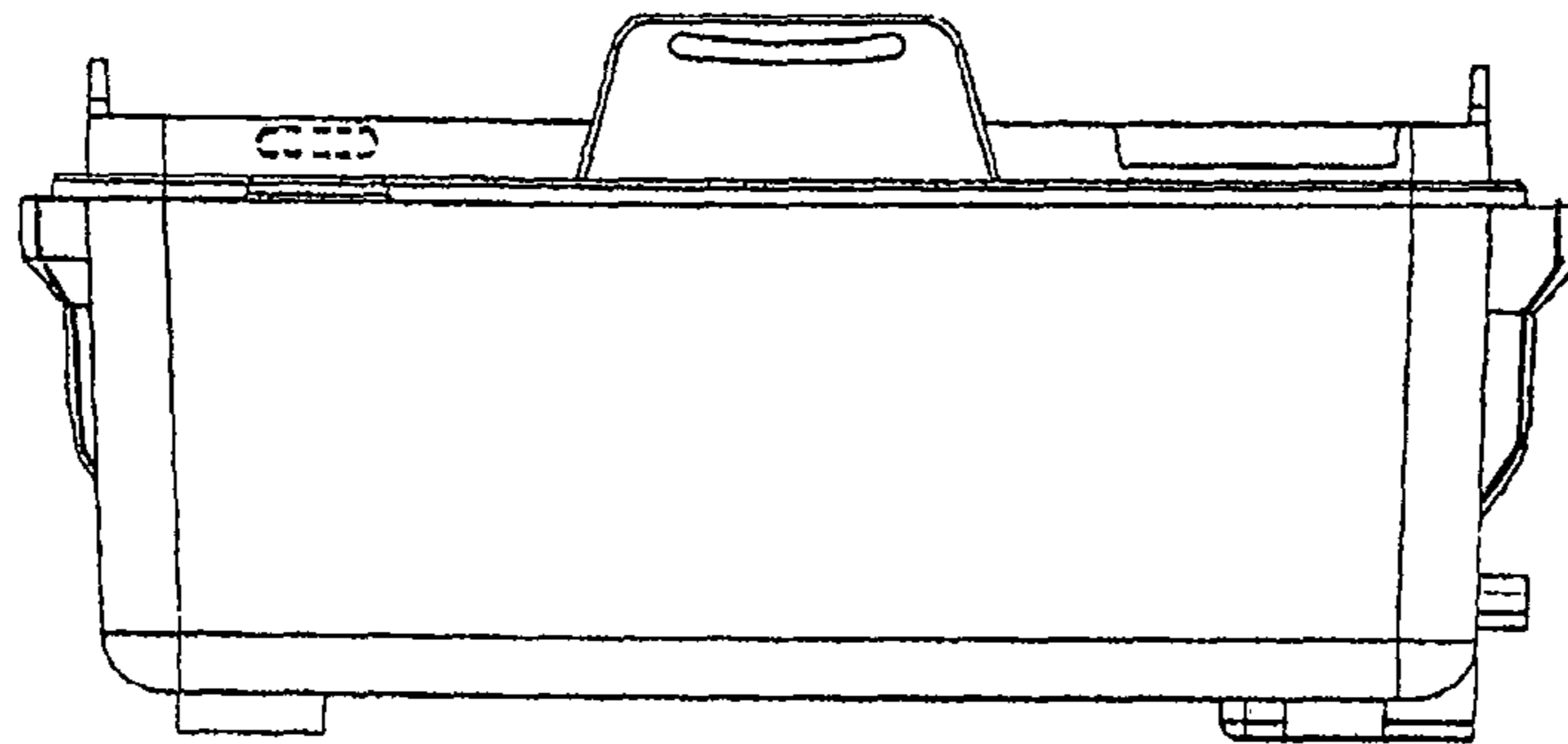


FIG. 6

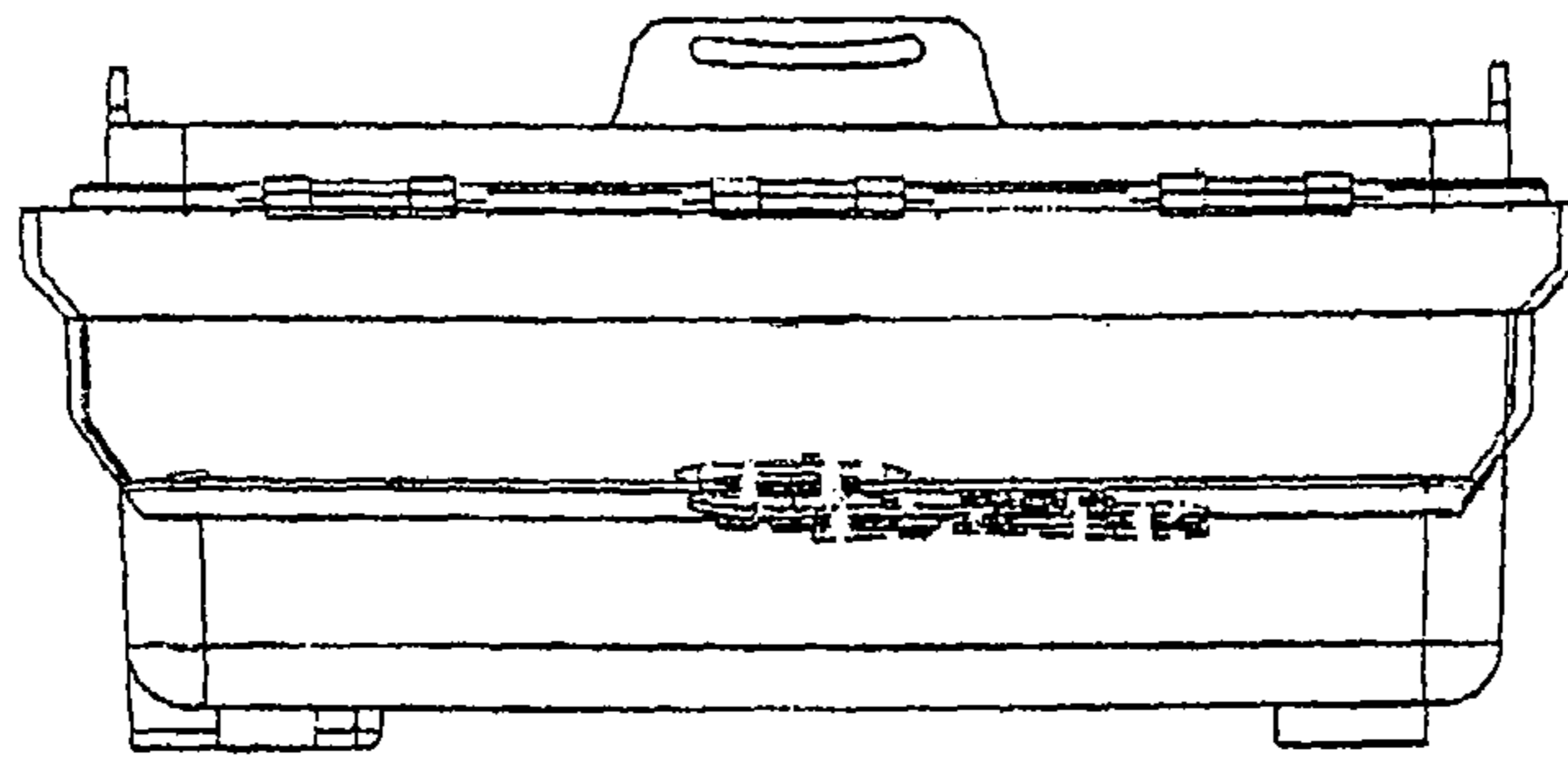


FIG. 7



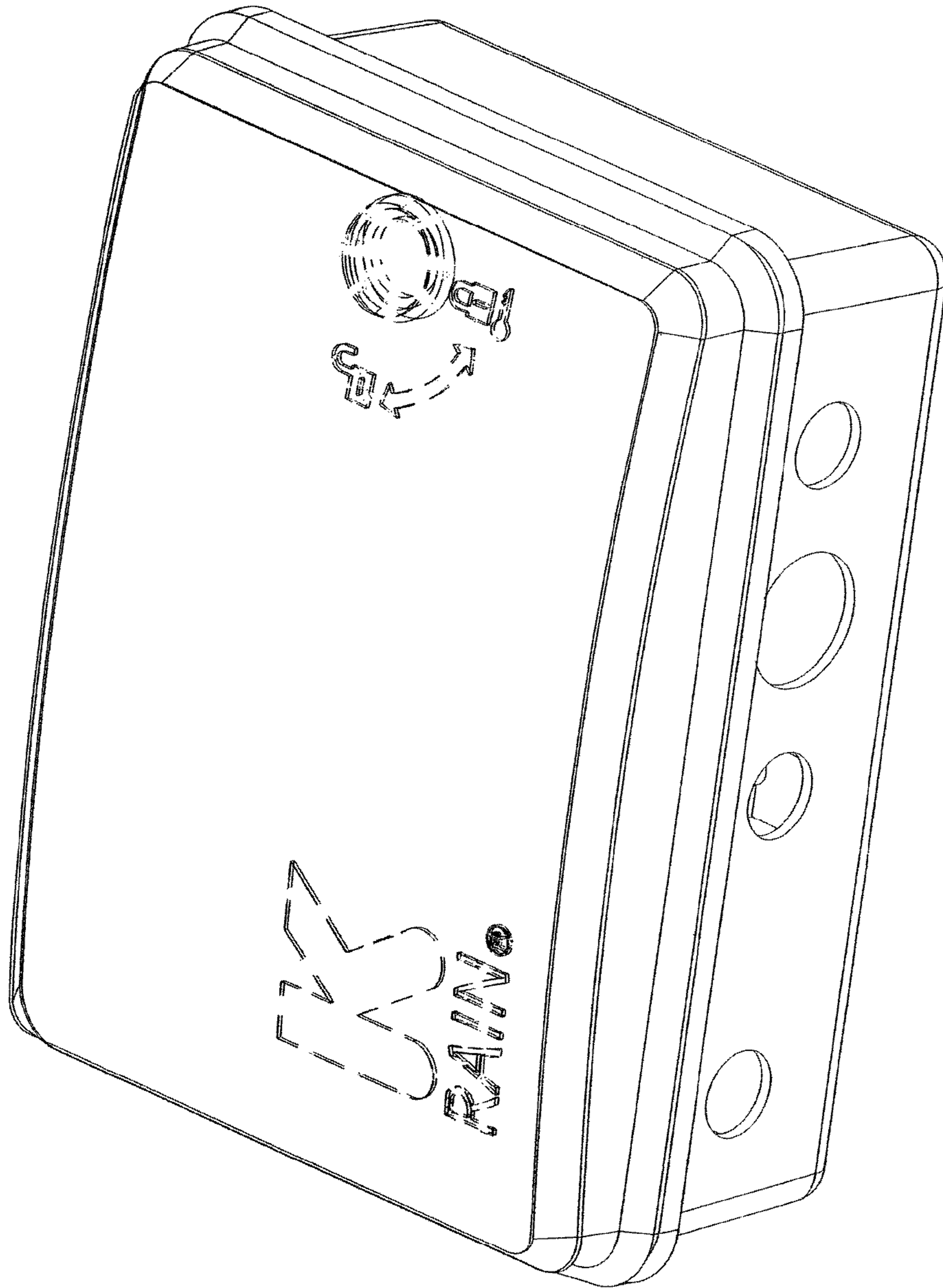


FIG. 8