



US00D689438S

(12) **United States Design Patent**  
**Yu et al.**

(10) **Patent No.:** **US D689,438 S**

(45) **Date of Patent:** **\*\* Sep. 10, 2013**

(54) **ELECTRICAL CONNECTOR**

(75) Inventors: **Wang-I Yu**, Jhonghe (TW); **Kuo-Cheng Liu**, Jhonghe (TW)

(73) Assignee: **Alltop Electronics (Suzhou) Ltd.**, Taicang (CN)

(\*\*) Term: **14 Years**

(21) Appl. No.: **29/408,935**

(22) Filed: **Dec. 19, 2011**

(30) **Foreign Application Priority Data**

Oct. 9, 2011 (CN) ..... 2011 3 0354643

(51) **LOC (9) Cl.** ..... **13-03**

(52) **U.S. Cl.**  
USPC ..... **D13/147**

(58) **Field of Classification Search**

USPC ..... D13/147, 154, 184, 199; 439/79, 439/108, 350, 353, 357, 378, 476.1, 489, 439/587, 594, 595, 598, 607.01, 607.04, 439/607.05, 607.17, 607.25, 607.34, 607.41, 439/607.53, 656, 660, 668, 680, 711, 745, 439/752

See application file for complete search history.

(56) **References Cited**

U.S. PATENT DOCUMENTS

D455,127	S	*	4/2002	Wu	.....	D13/147
D489,039	S	*	4/2004	Kawase et al.	.....	D13/147
D578,480	S	*	10/2008	Zhu et al.	.....	D13/147
D578,964	S	*	10/2008	Luo et al.	.....	D13/147
D583,769	S	*	12/2008	Hatano et al.	.....	D13/147
D584,693	S	*	1/2009	Hatano et al.	.....	D13/147
D597,951	S	*	8/2009	Hatano et al.	.....	D13/147
D630,586	S	*	1/2011	Ngo	.....	D13/147
D640,200	S	*	6/2011	Ngo	.....	D13/147
D675,994	S	*	2/2013	Faith	.....	D13/147
2012/0214347	A1	*	8/2012	Sass et al.	.....	439/630

\* cited by examiner

*Primary Examiner* — Daniel Bui

(74) *Attorney, Agent, or Firm* — Sughrue Mion, PLLC

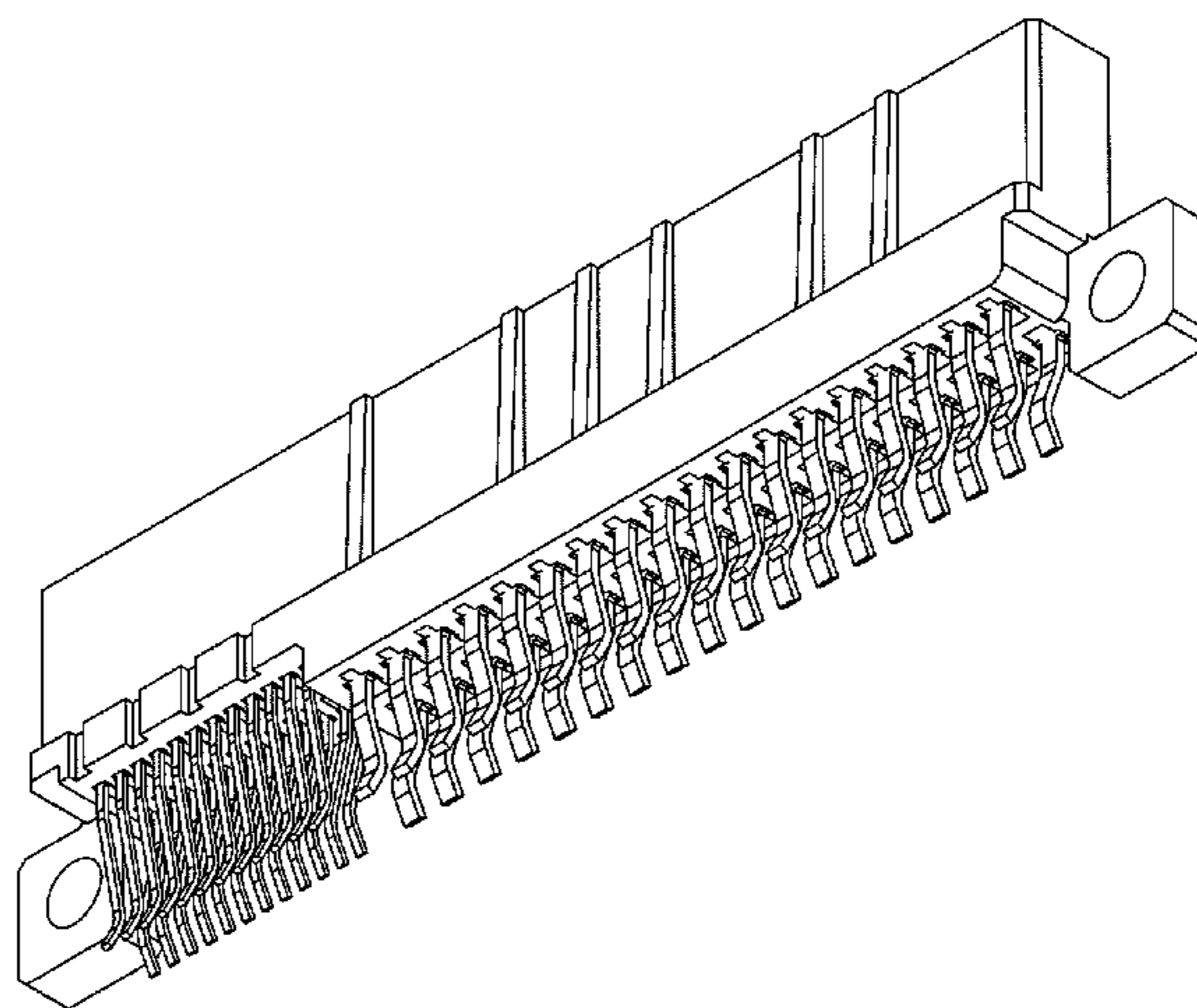
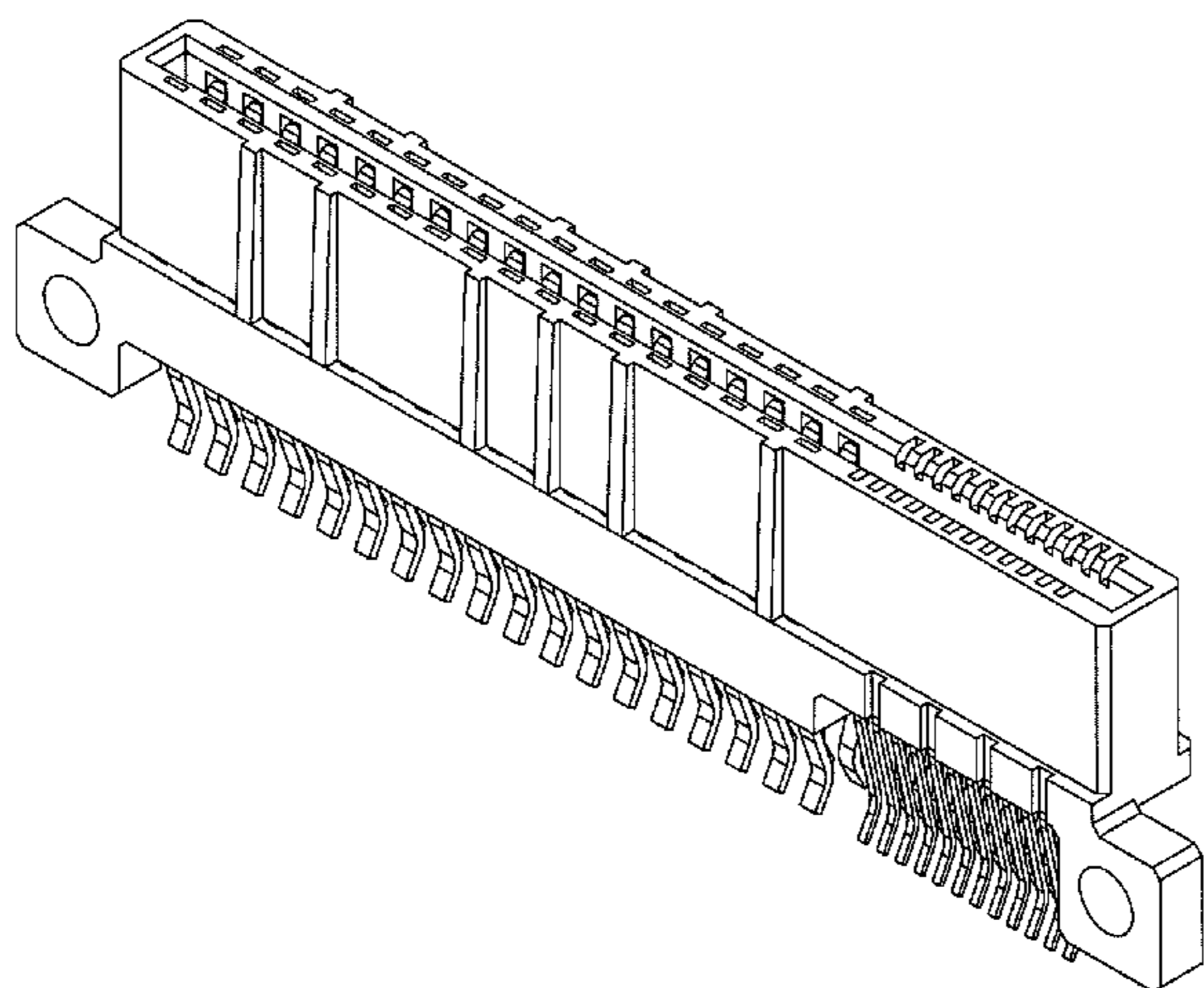
(57) **CLAIM**

The ornamental design for an electrical connector, as shown and described.

**DESCRIPTION**

FIG. 1 is a top and right side perspective view of an electrical connector showing our new design; FIG. 2 is a front elevation view thereof; FIG. 3 is a rear elevation view thereof; FIG. 4 is a left side elevation view thereof; FIG. 5 is a right side elevation view thereof; FIG. 6 is a top plan view thereof; FIG. 7 is a bottom plan view thereof; and, FIG. 8 is a bottom and left side perspective view thereof.

**1 Claim, 4 Drawing Sheets**



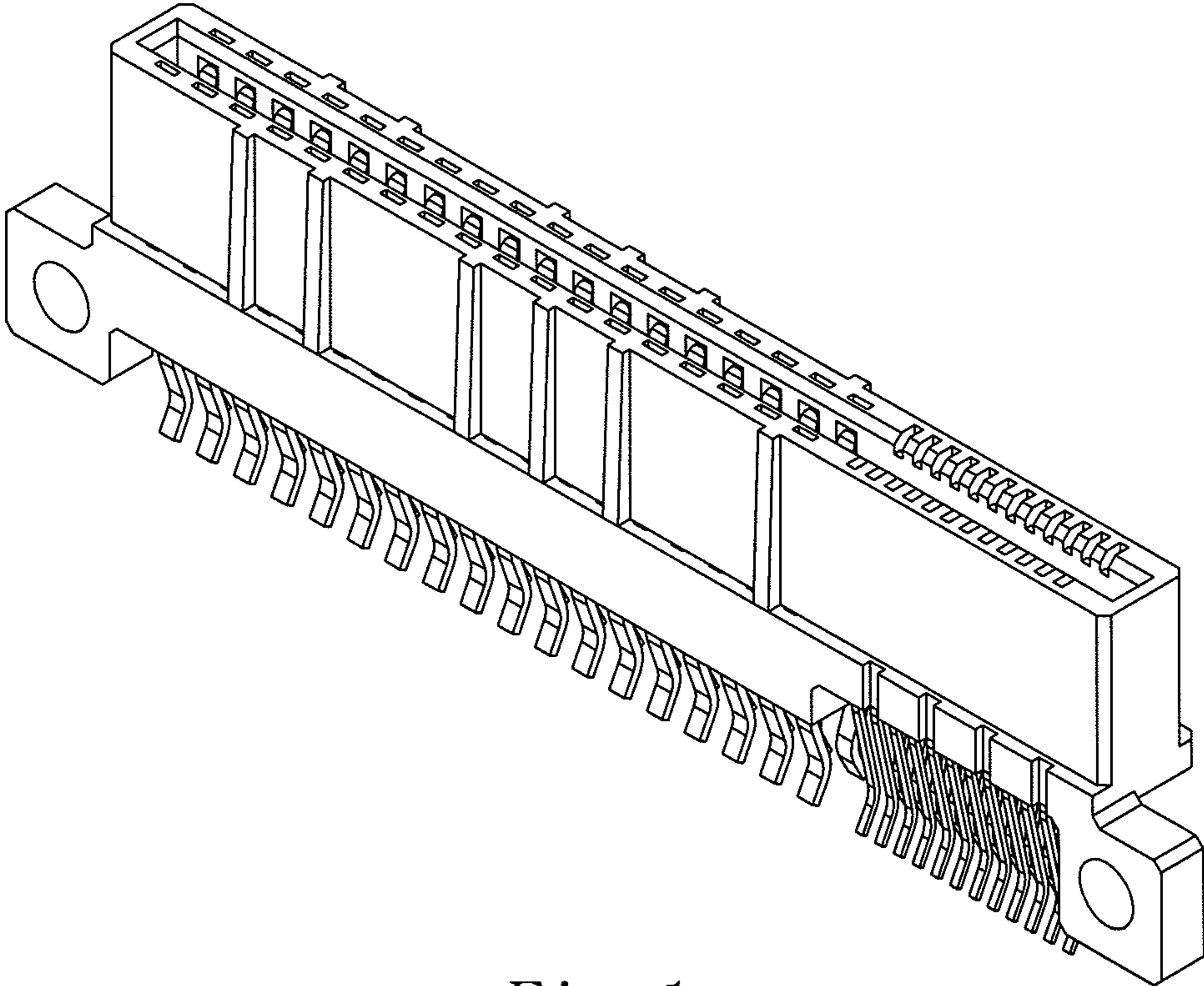


Fig. 1

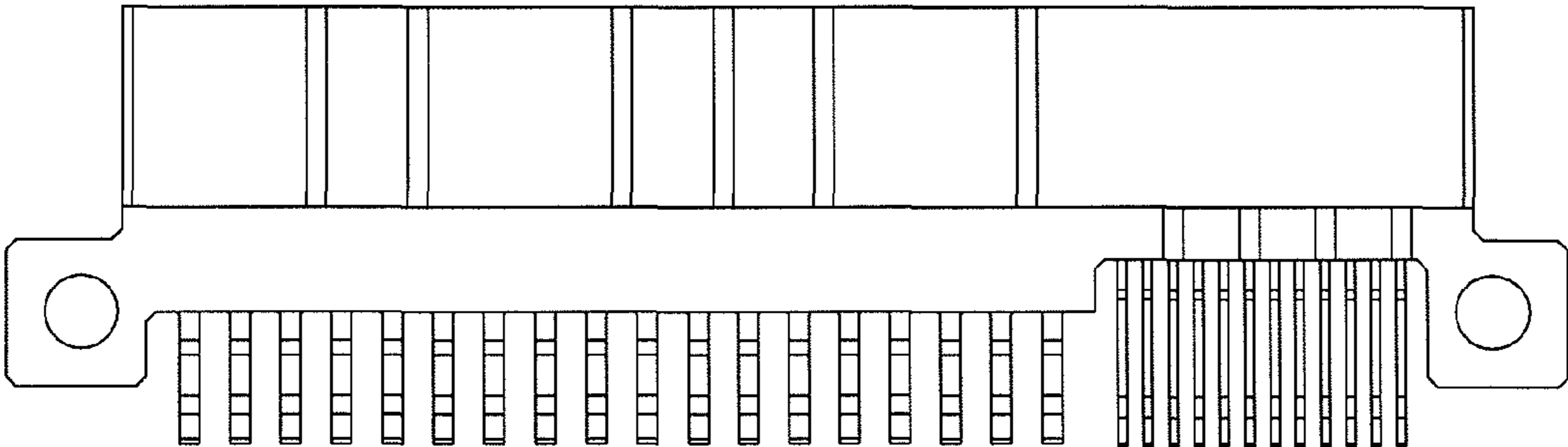


Fig. 2

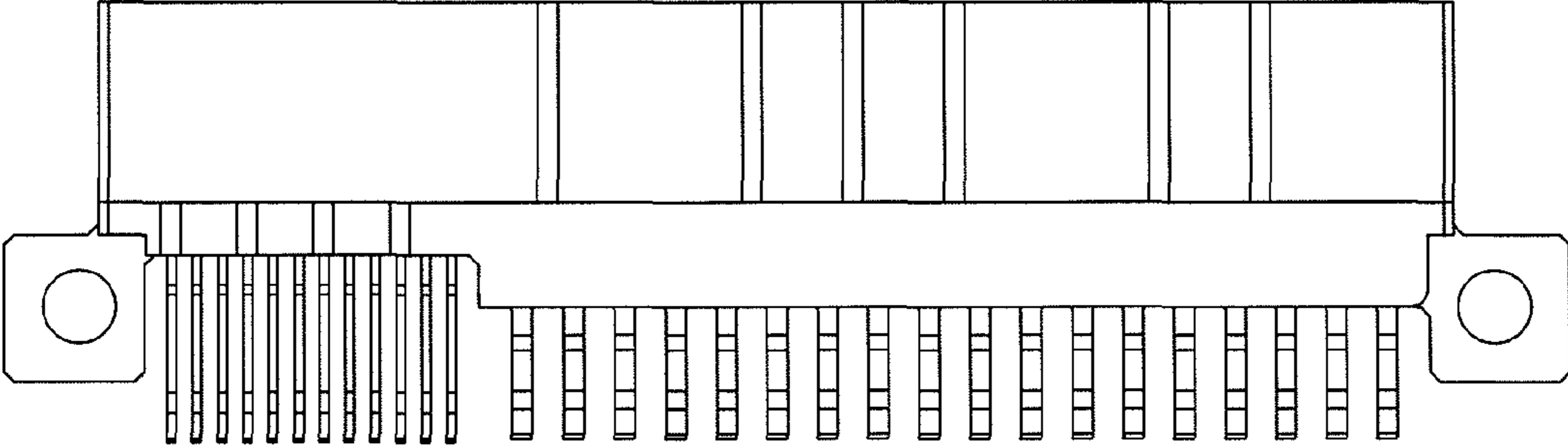


Fig. 3

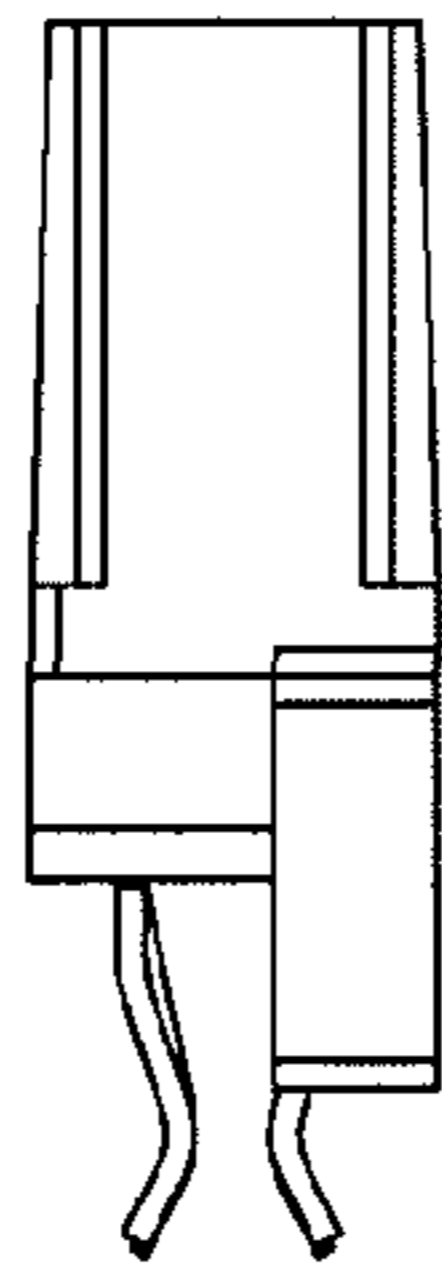


Fig. 4

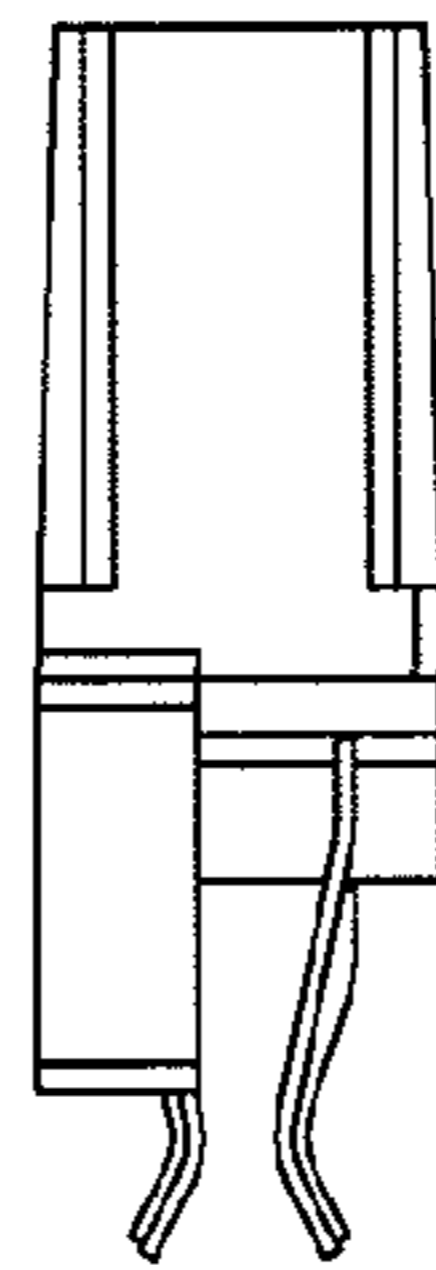


Fig. 5

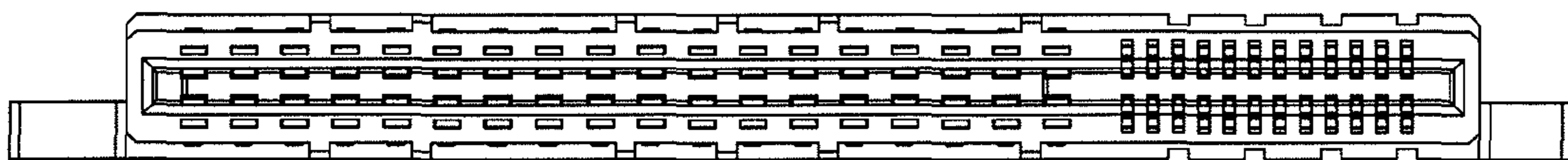


Fig. 6

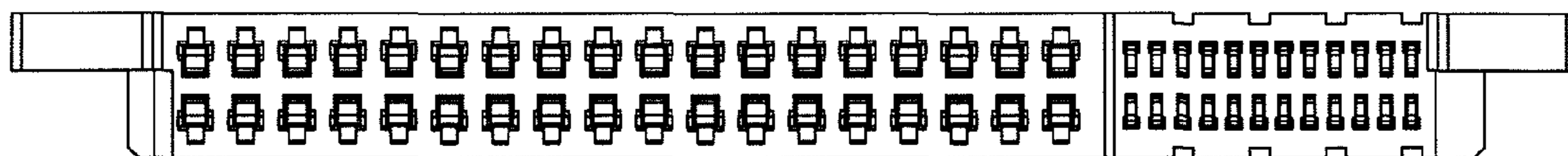


Fig. 7

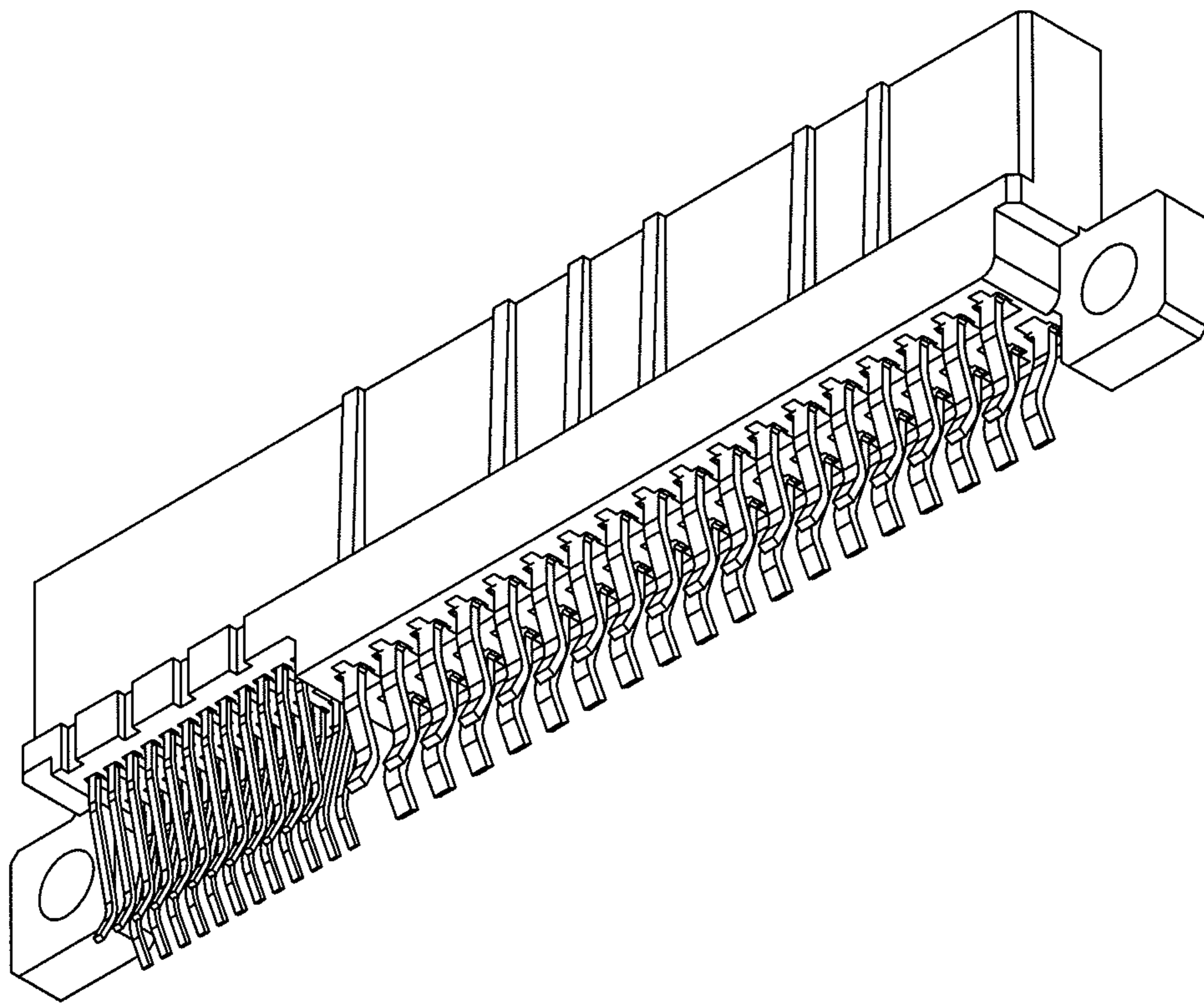


Fig. 8