



US00D689435S

(12) **United States Design Patent**
Sekine et al.

(10) **Patent No.:** **US D689,435 S**

(45) **Date of Patent:** **** *Sep. 10, 2013**

(54) **ELECTRICAL CONNECTOR**

(75) Inventors: **Takashi Sekine**, Kanagawa (JP);
Kenichi Yamaguchi, Kanagawa (JP)

(73) Assignee: **Iriso Electronics Co., Ltd.**, Kanagawa (JP)

(*) Notice: This patent is subject to a terminal disclaimer.

(**) Term: **14 Years**

(21) Appl. No.: **29/390,589**

(22) Filed: **Apr. 27, 2011**

(30) **Foreign Application Priority Data**

Mar. 18, 2011 (JP) 2011-006251

(51) **LOC (9) Cl.** **13-03**

(52) **U.S. Cl.**
USPC **D13/133**

(58) **Field of Classification Search**
USPC D13/133, 146-147, 154, 156, 184;
439/180, 252, 278, 280, 374, 375, 378, 488,
439/489, 491, 527, 529, 533, 892, 894, 607.01,
439/607.04, 607.05, 607.06, 607.17, 607.21,
439/607.23, 607.25, 607.34, 607.41, 607.53,
439/660

See application file for complete search history.

(56) **References Cited**

U.S. PATENT DOCUMENTS

D561,101 S * 2/2008 Sakamoto D13/133
D575,231 S * 8/2008 Ho et al. D13/133
D616,820 S * 6/2010 Gong et al. D13/133
D618,616 S * 6/2010 Kesler D13/133
D641,701 S * 7/2011 Ohkuma D13/133

D652,796 S * 1/2012 Smith et al. D13/133
D652,798 S * 1/2012 Sekine et al. D13/133
D654,026 S * 2/2012 Shioda et al. D13/133

FOREIGN PATENT DOCUMENTS

JP 1335037 7/2008

* cited by examiner

Primary Examiner — Thomas Johannes

(74) *Attorney, Agent, or Firm* — Lowe Hauptman Ham & Berner, LLP

(57) **CLAIM**

The ornamental design for an electrical connector, as shown.

DESCRIPTION

The present application is related to U.S. application Ser. No. 29/381,569, filed on Dec. 21, 2010.

FIG. 1 is a front elevation view of an electrical connector showing our new design;

FIG. 2 is a rear elevation view thereof;

FIG. 3 is a right side elevation view thereof;

FIG. 4 is a left side elevation view thereof;

FIG. 5 is a top plan view thereof;

FIG. 6 is a bottom plan view thereof;

FIG. 7 is a top, front and right side perspective view thereof;

FIG. 8 is a top plan view of the electrical connector mounted in a use position and wiring to be inserted therein;

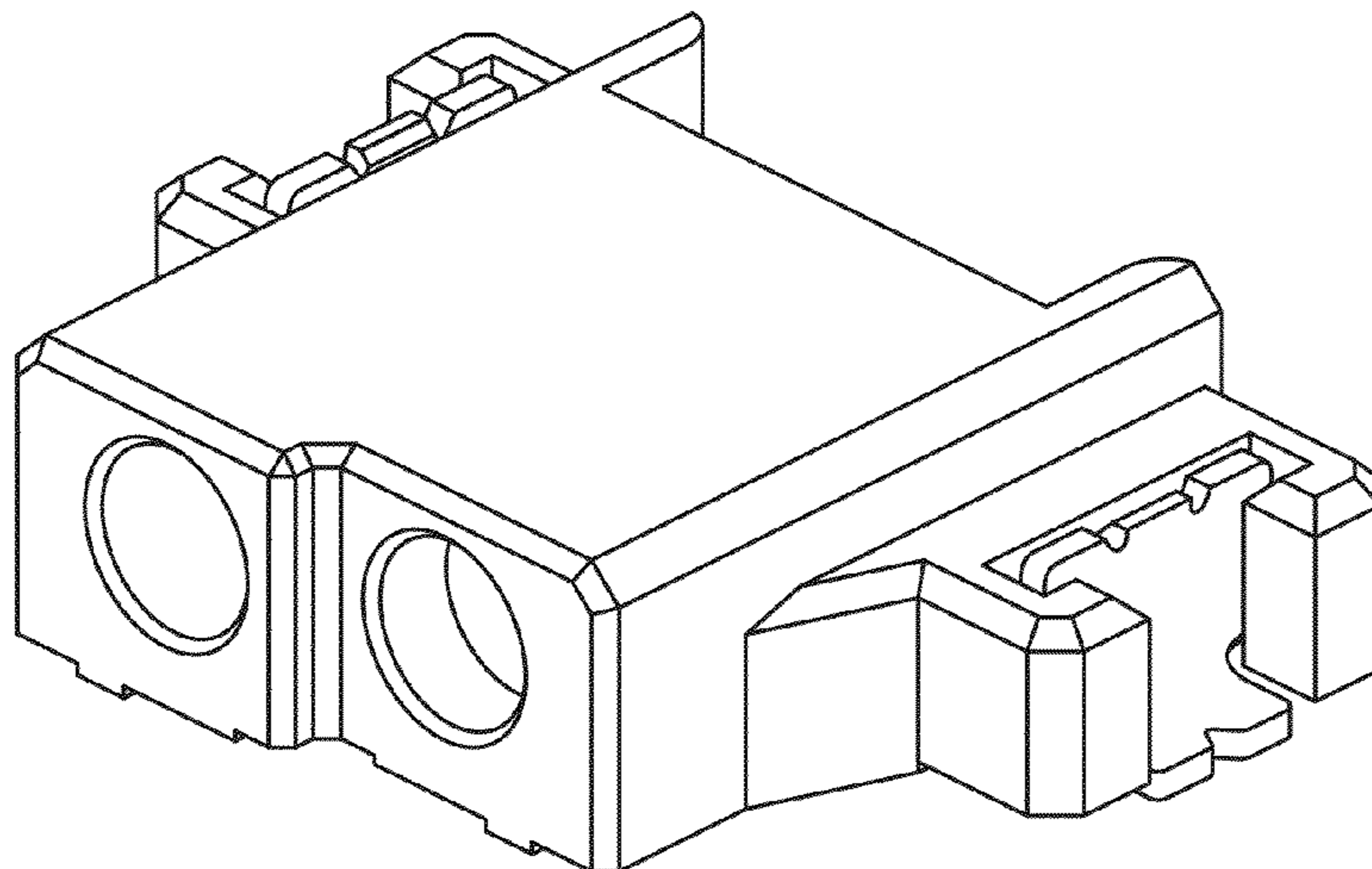
FIG. 9 is a right side elevation view of the FIG. 8 configuration; and,

FIG. 10 is a top, front and right side perspective view of the FIG. 8 configuration.

The broken lines of FIGS. 8-10 depict environment of the connector and constitute unclaimed subject matter and forms no part of the claimed design.

The article is an electrical connector which is mounted on a circuit board (see FIGS. 8-10) so as to electrically connect a cable which is inserted from an opening provided at the front side of a connector main body with the circuit board.

1 Claim, 5 Drawing Sheets



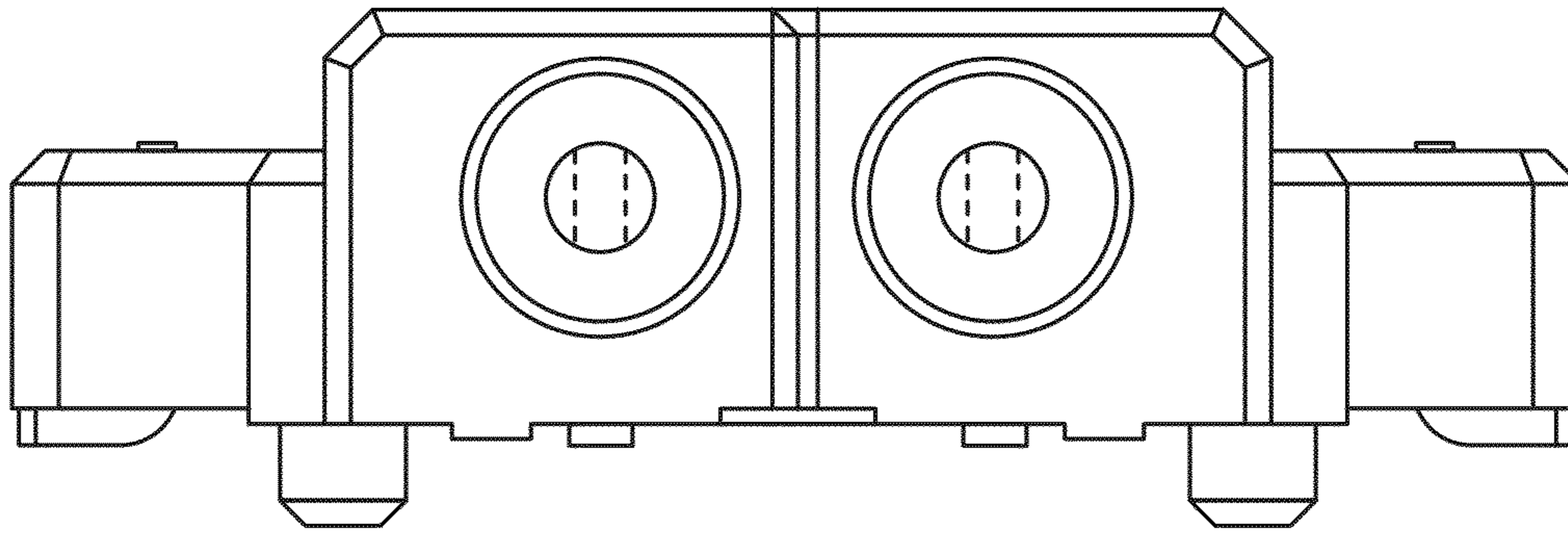


FIG. 1

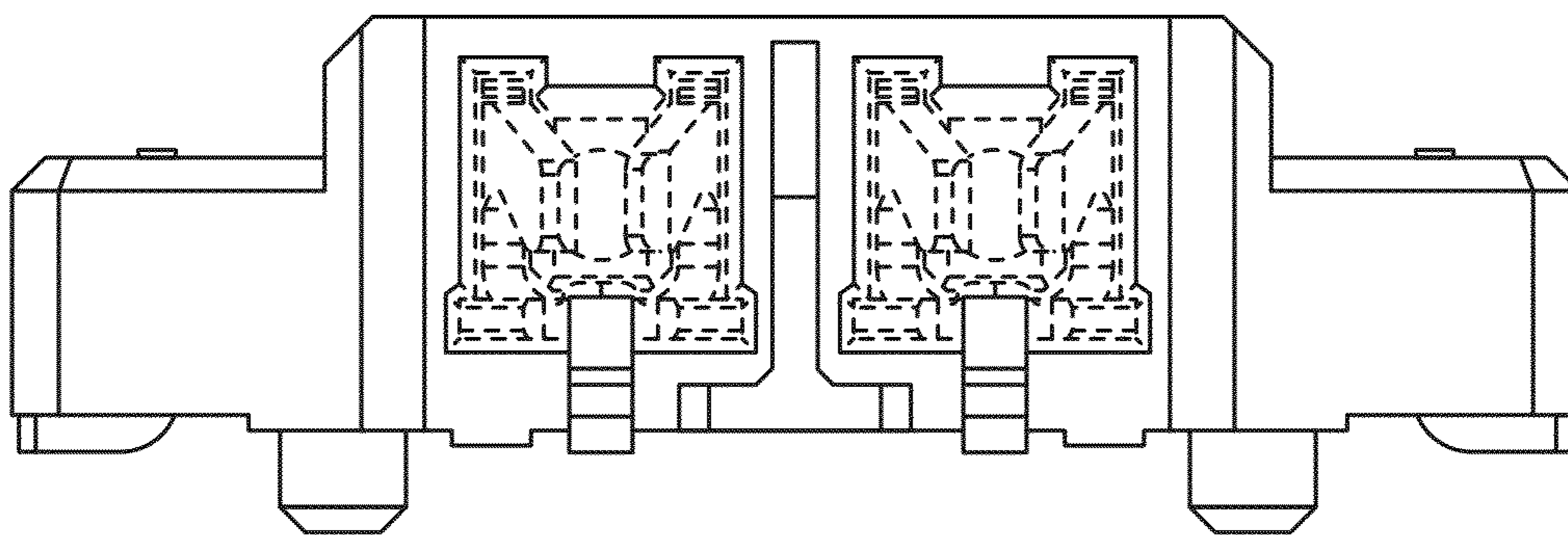


FIG. 2

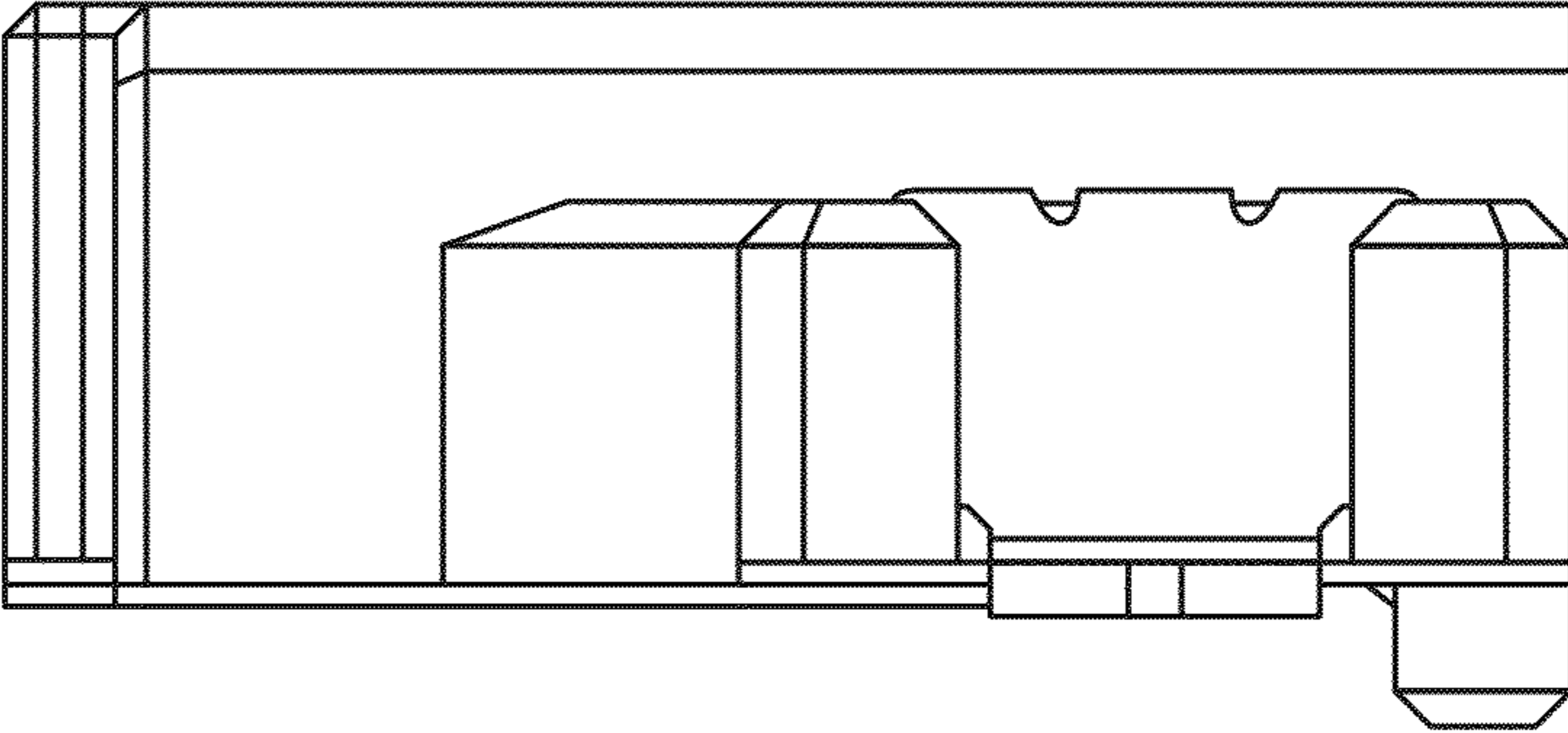


FIG. 3

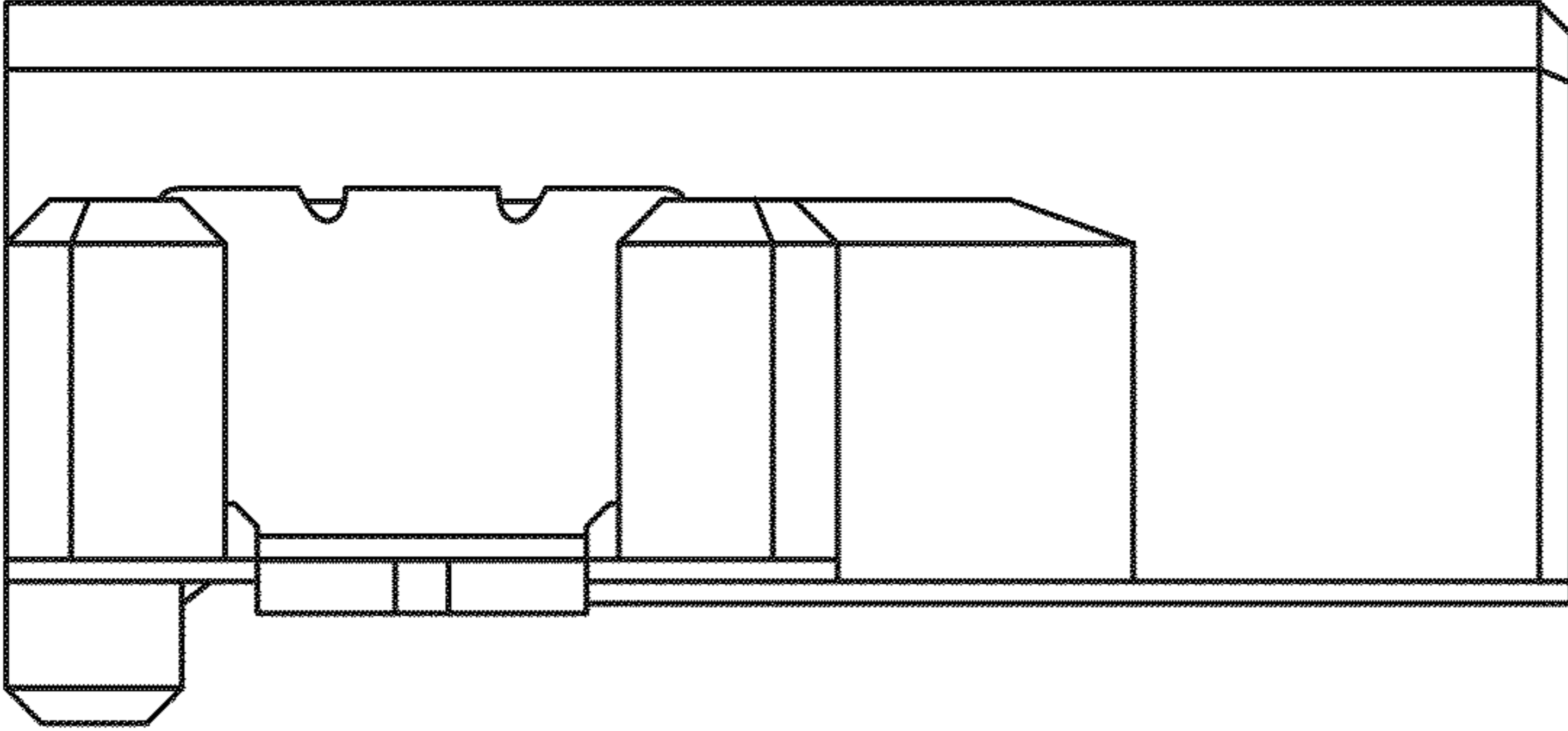


FIG. 4

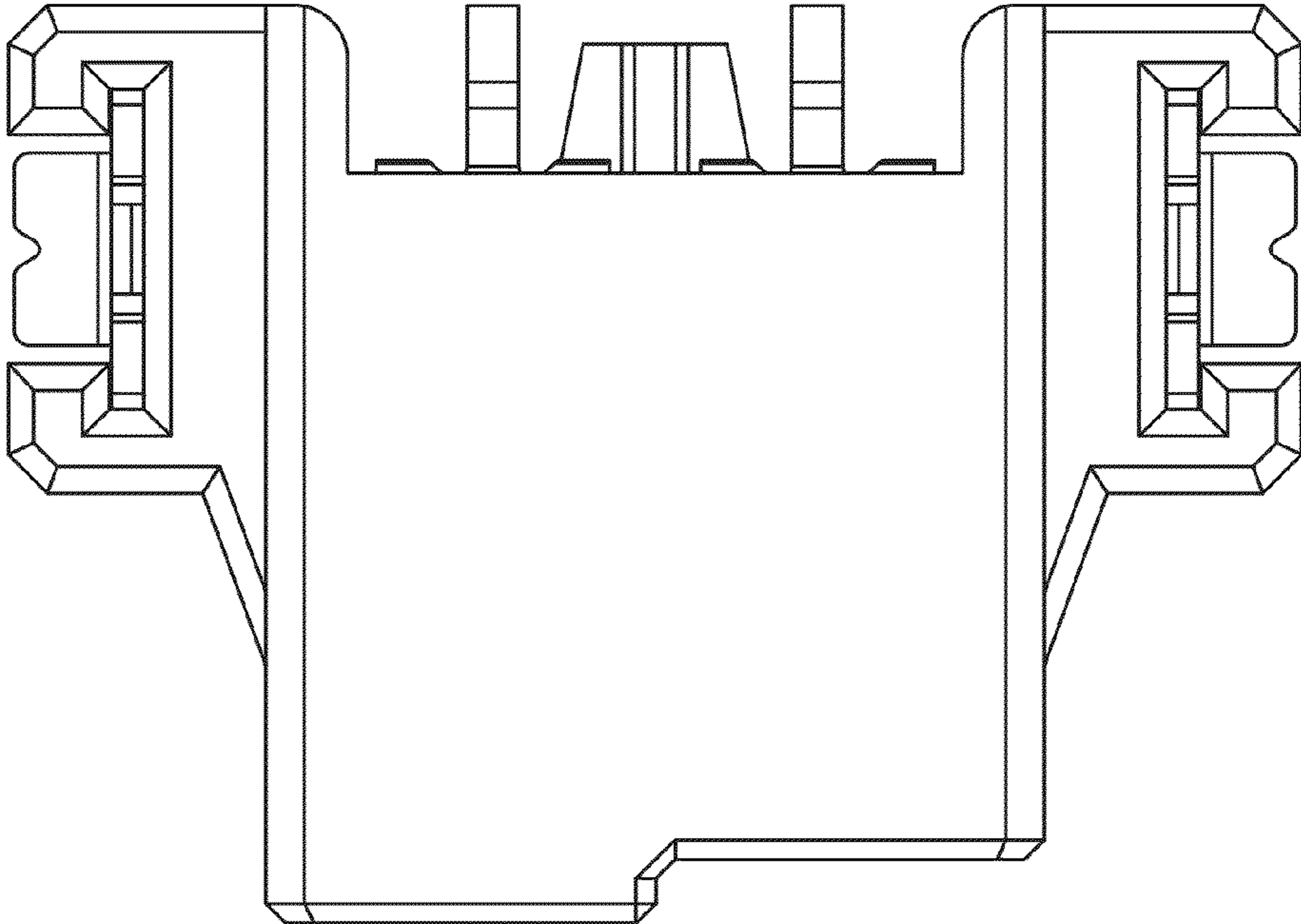


FIG. 5

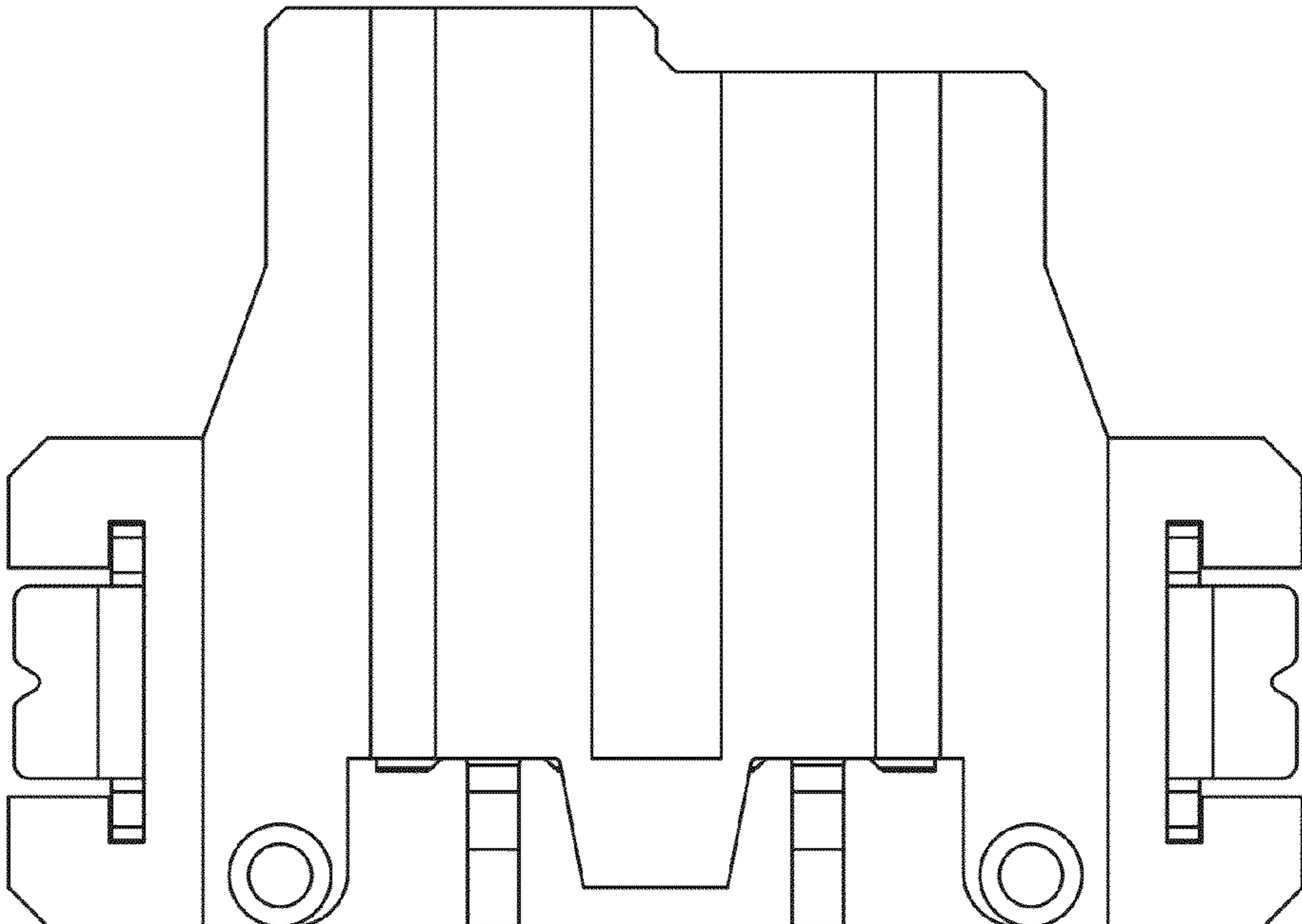


FIG. 6

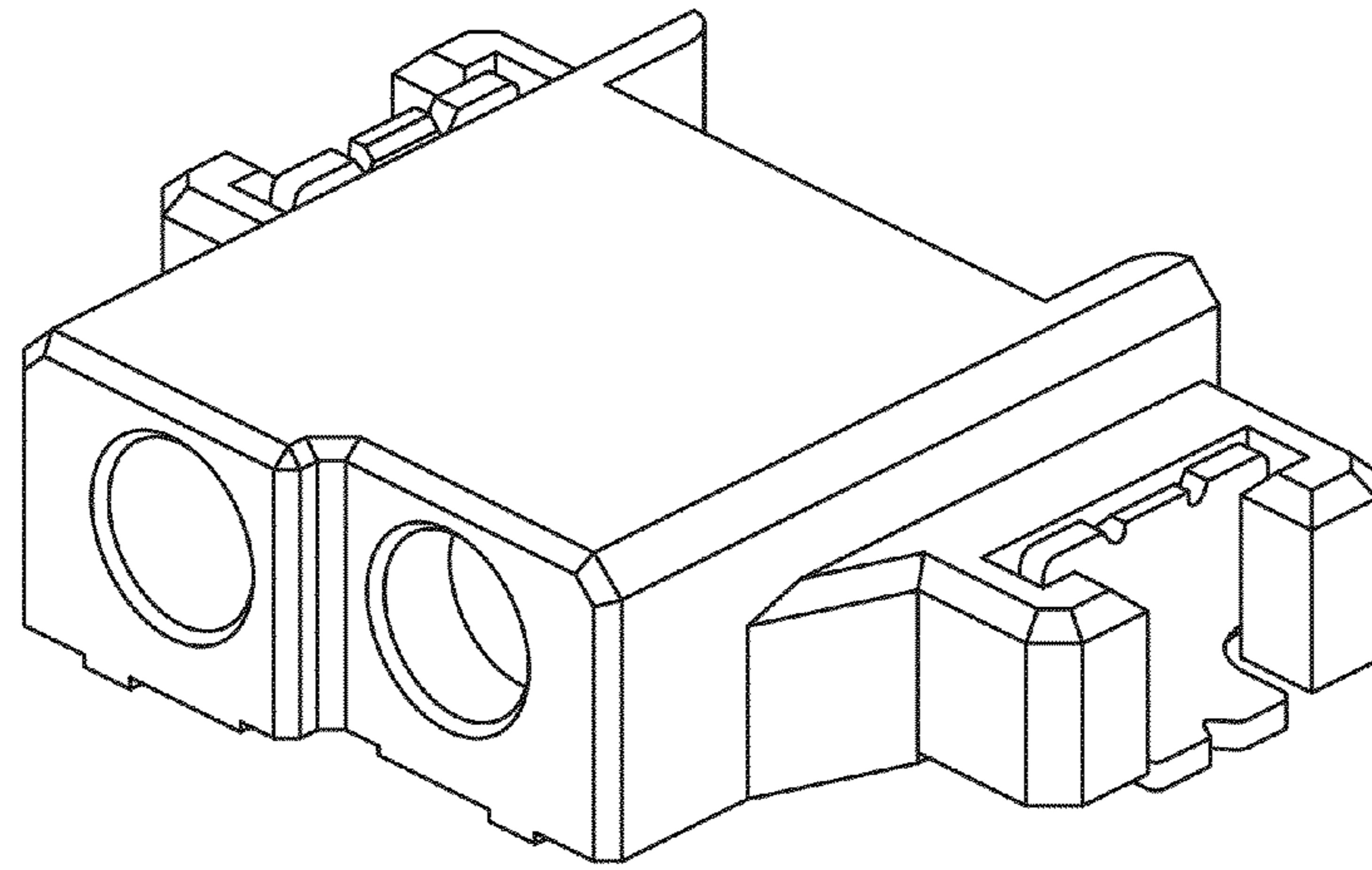


FIG. 7

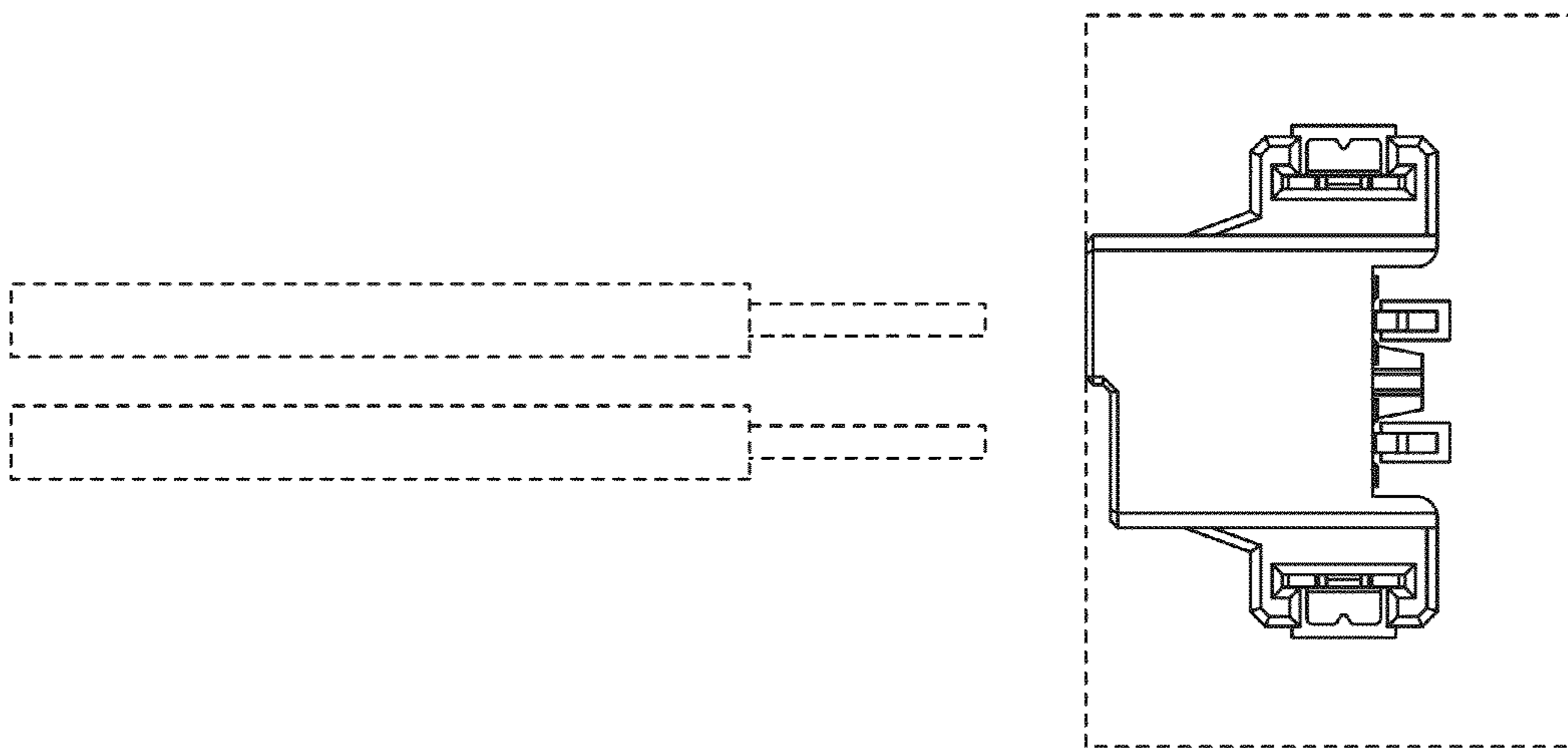


FIG. 8

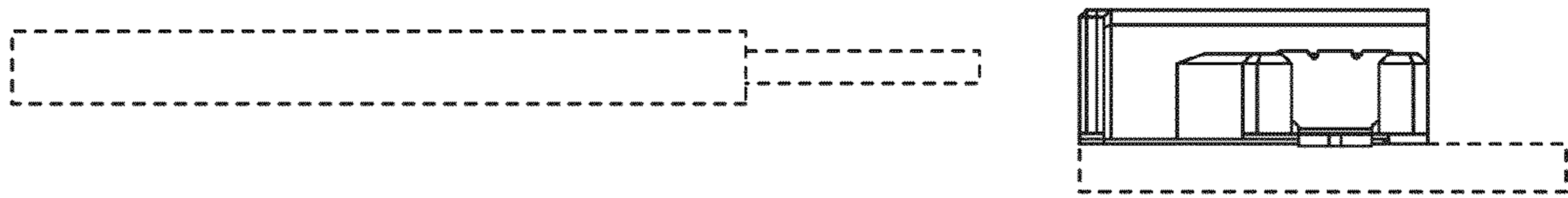


FIG. 9

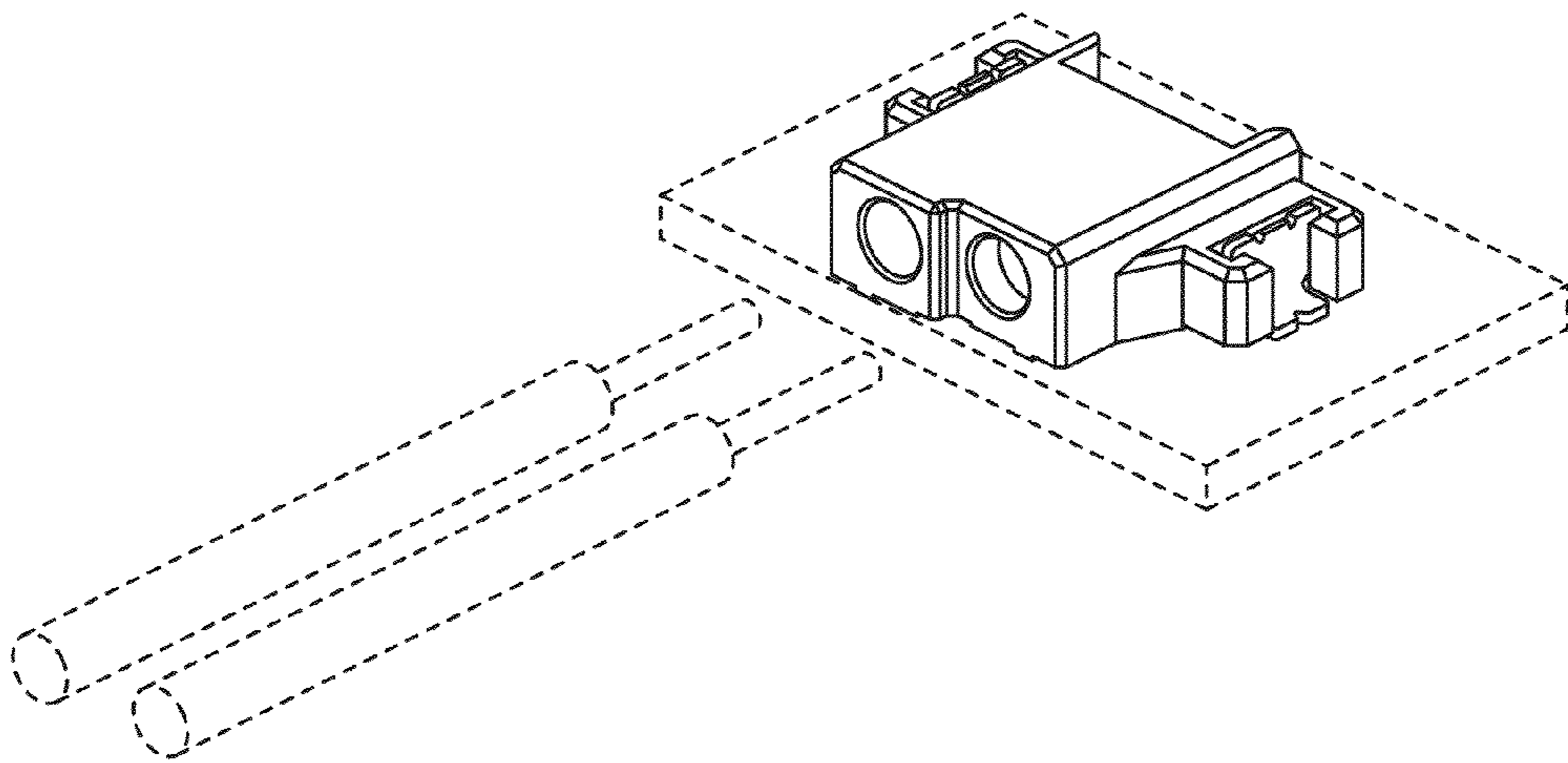


FIG. 10