



US00D689433S

(12) **United States Design Patent**  
**Wang**

(10) **Patent No.:** **US D689,433 S**

(45) **Date of Patent:** **\*\* Sep. 10, 2013**

(54) **MOBILE POWER SOURCE**

(75) Inventor: **Hao Wang**, Shenzhen (CN)

(73) Assignee: **Avinst Co., Limited**, Hong Kong (CN)

(\*\*) Term: **14 Years**

(21) Appl. No.: **29/431,549**

(22) Filed: **Sep. 7, 2012**

(30) **Foreign Application Priority Data**

Mar. 7, 2012 (CN) ..... 2012 3 0049977

(51) **LOC (9) Cl.** ..... **13-02**

(52) **U.S. Cl.**  
USPC ..... **D13/110**

(58) **Field of Classification Search**  
USPC ..... D13/110, 108, 123, 133, 137.1, 199;  
D14/140.1, 240, 242, 353, 433; 174/53,  
174/54, 57, 59, 61; 307/150, 151; 320/111,  
320/114; 363/132, 146; 439/105, 131, 166,  
439/170-173, 218, 518, 692, 956; 370/315,  
370/317, 319, 338

See application file for complete search history.

(56) **References Cited**

U.S. PATENT DOCUMENTS

6,227,888	B1 *	5/2001	Hahn	.....	439/173
D493,175	S *	7/2004	Schmidt et al.	.....	D14/433
D503,679	S *	4/2005	Andre et al.	.....	D13/110
D575,226	S *	8/2008	Bart	.....	D13/110
D599,737	S *	9/2009	Amidei et al.	.....	D13/110
D600,640	S *	9/2009	Stein et al.	.....	D13/103
D601,955	S *	10/2009	Ekmekdje	.....	D13/108
D610,538	S *	2/2010	Wu et al.	.....	D13/103
D618,225	S *	6/2010	Tong et al.	.....	D14/240

\* cited by examiner

*Primary Examiner* — Derrick Holland

(74) *Attorney, Agent, or Firm* — Morris Manning & Martin LLP; Tim Tingkang Xia, Esq.

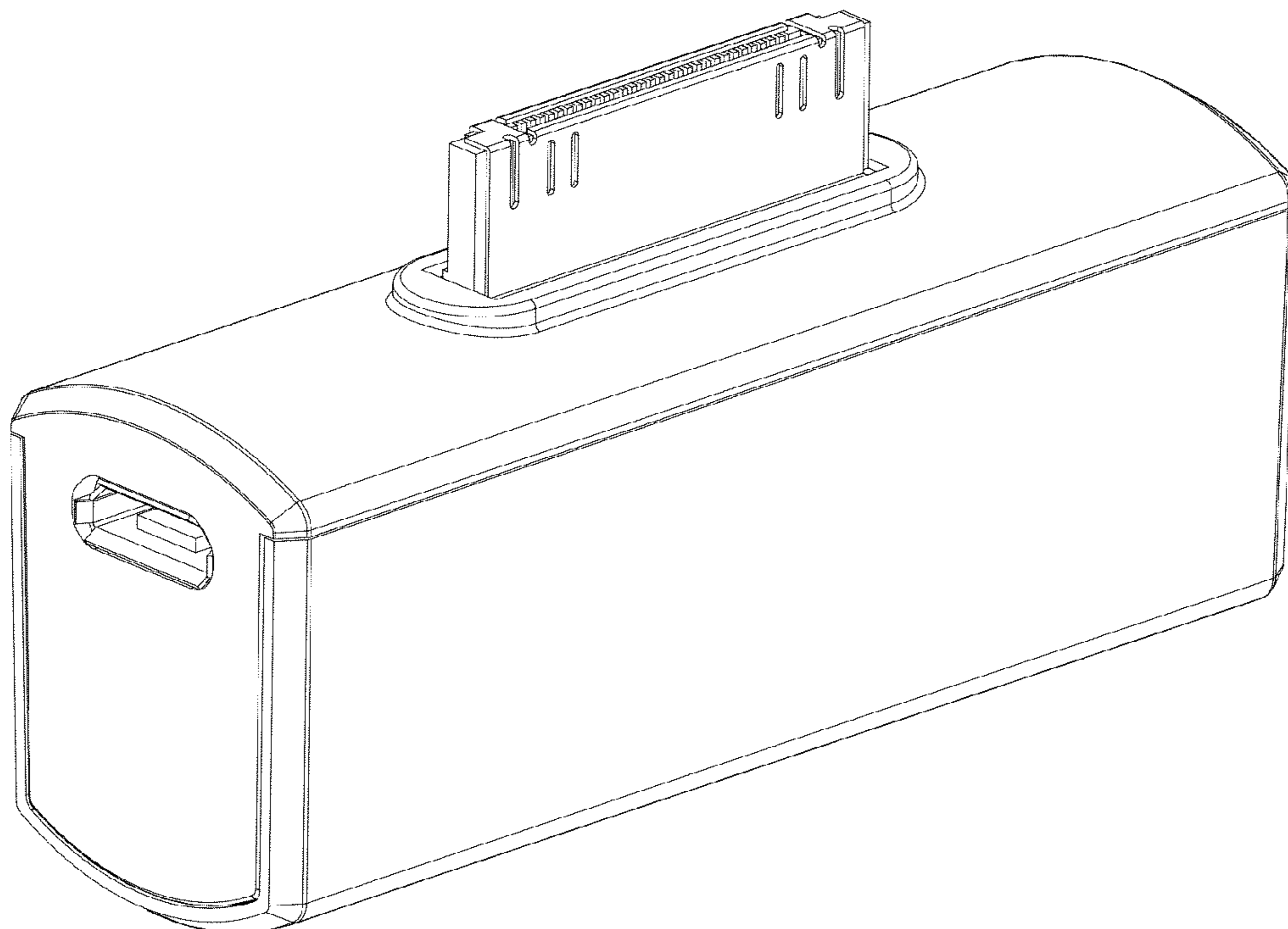
(57) **CLAIM**

The ornamental design for a mobile power source, as shown and described.

**DESCRIPTION**

FIG. 1 is a perspective view of the mobile power source; FIG. 2 is a front view thereof; FIG. 3 is a back view thereof; FIG. 4 is a top view thereof; FIG. 5 is a bottom view thereof; FIG. 6 is a left view thereof; and, FIG. 7 is a right view thereof.

**1 Claim, 7 Drawing Sheets**



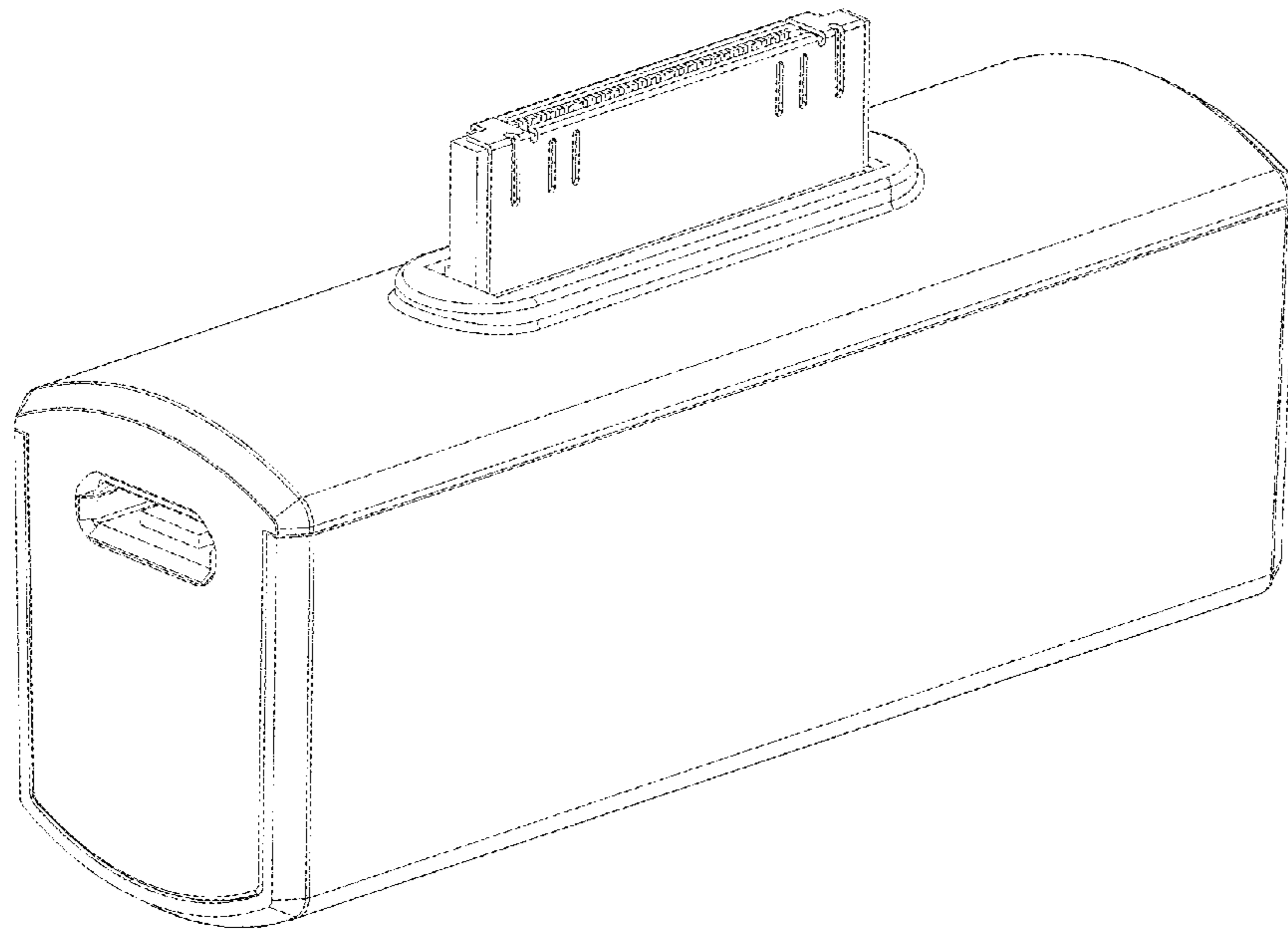


Fig. 1

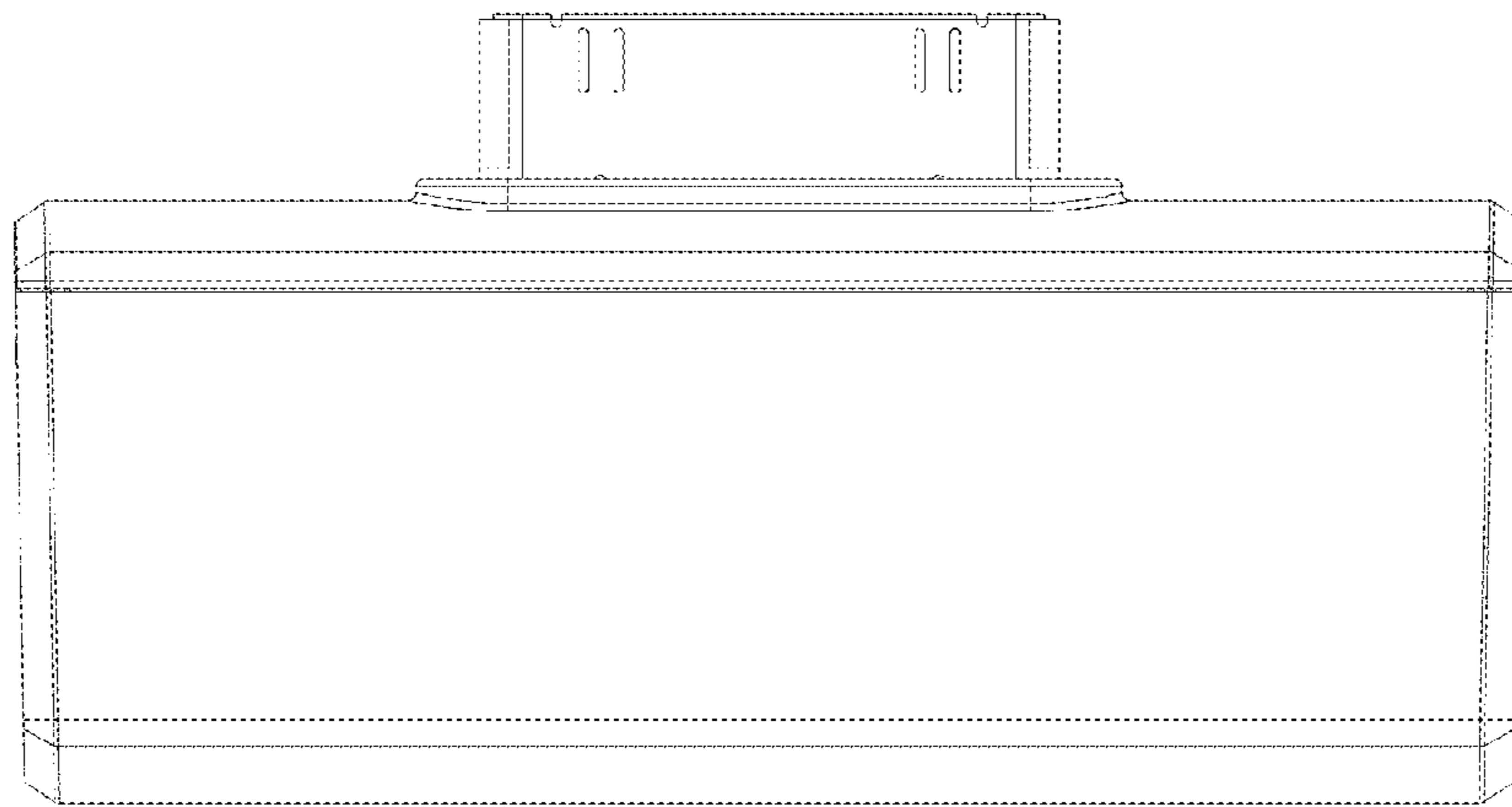


Fig. 2

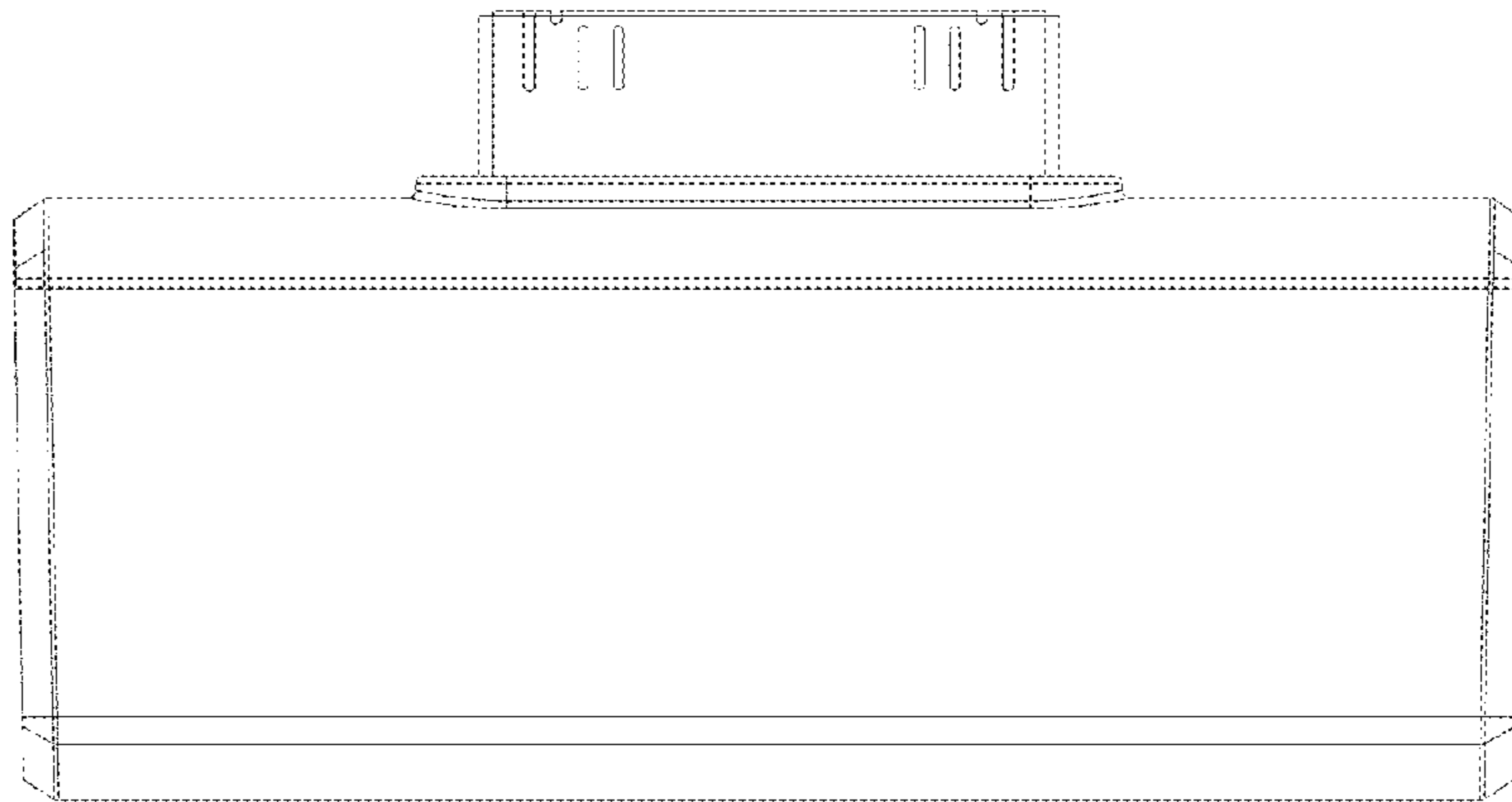


Fig. 3

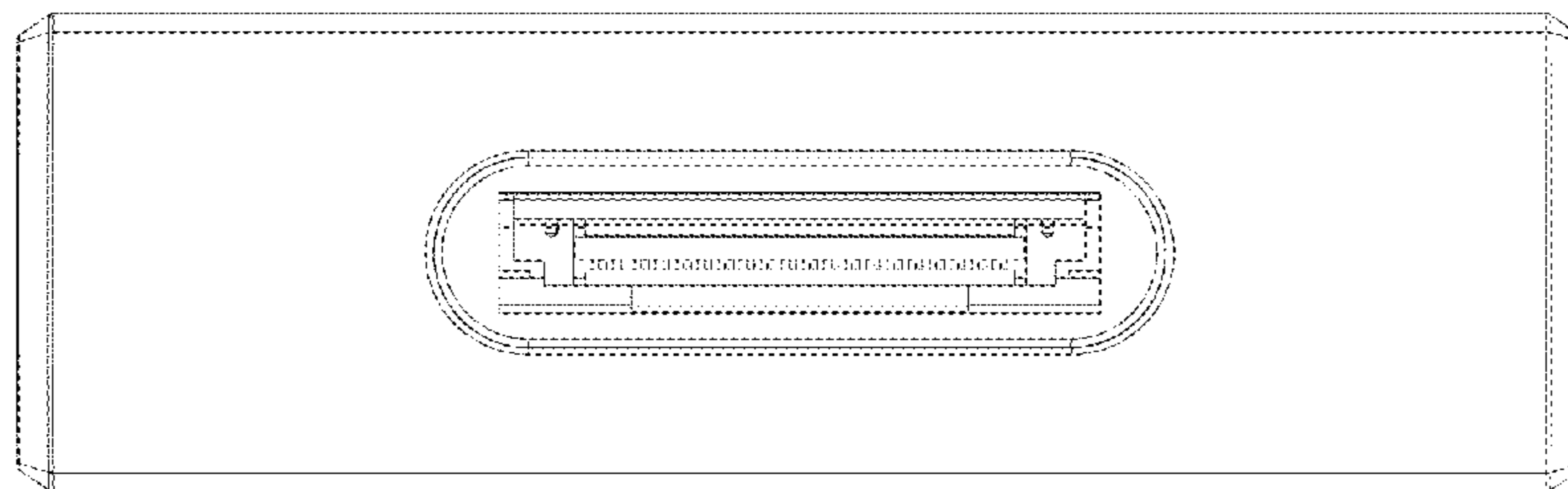


Fig. 4

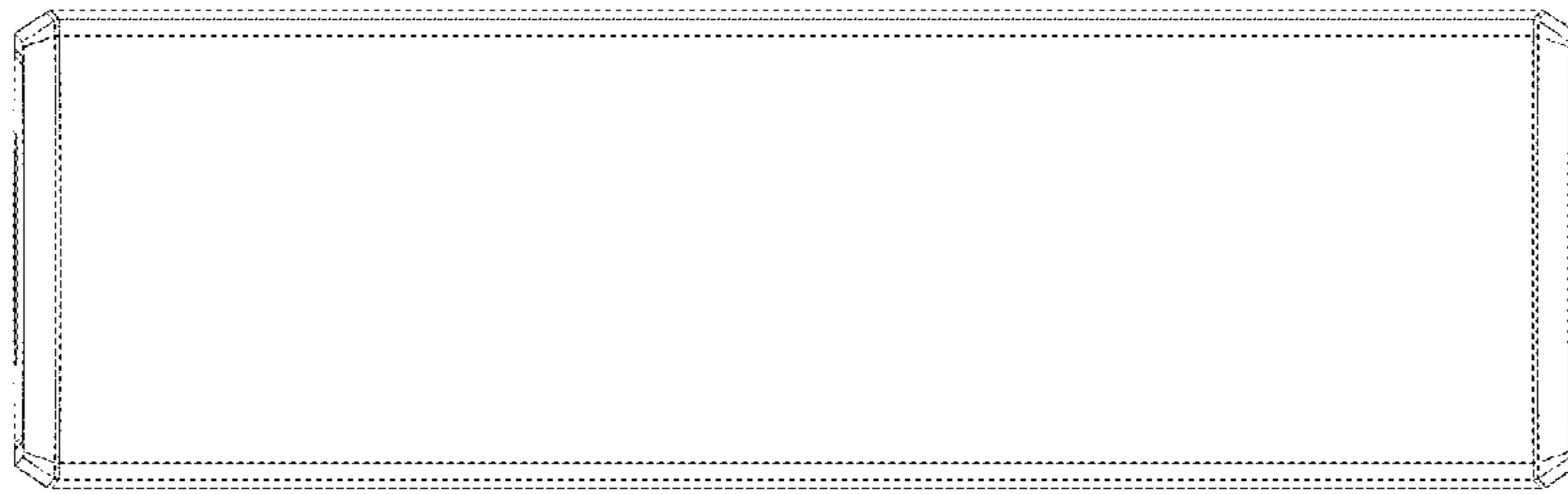


Fig. 5

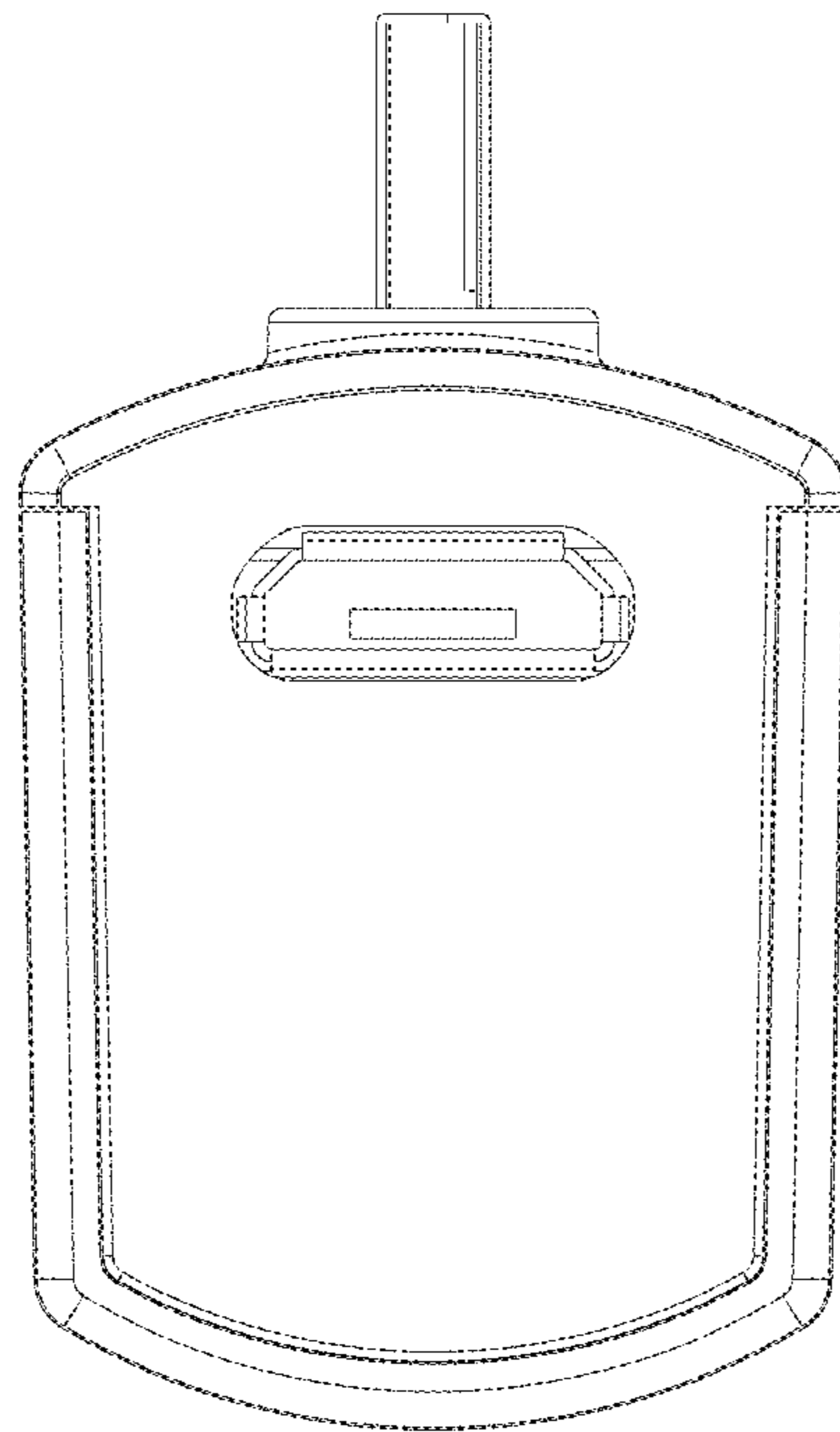


Fig. 6

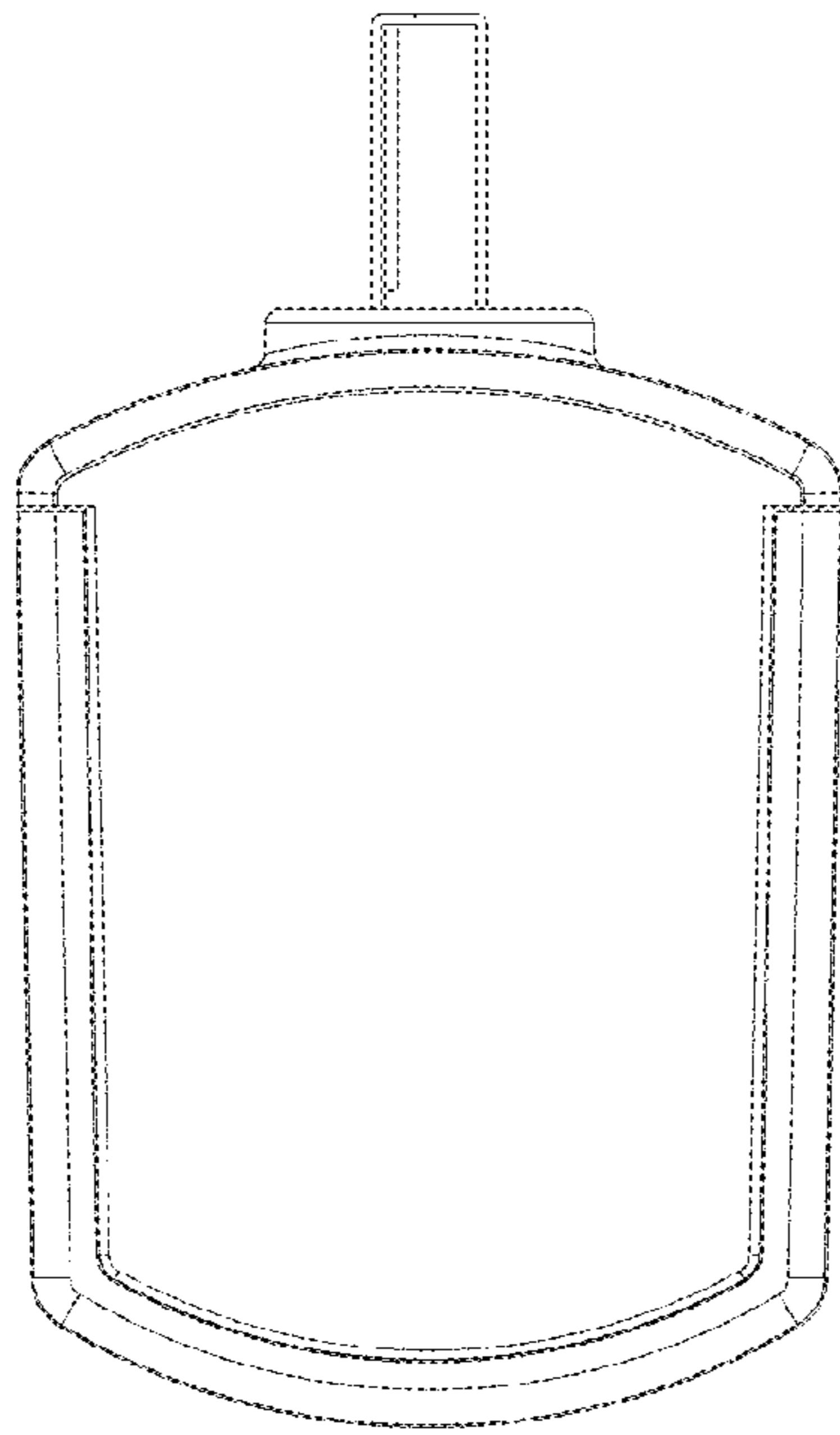


Fig. 7