



US00D689432S

(12) **United States Design Patent**  
**Itoh et al.**

(10) **Patent No.:** **US D689,432 S**  
(45) **Date of Patent:** **\*\* Sep. 10, 2013**

(54) **RECHARGEABLE BATTERY**

(71) Applicant: **Hitachi Koki Co., Ltd.**, Tokyo (JP)  
(72) Inventors: **Takafumi Itoh**, Hitachinaka (JP);  
**Kenichi Yamada**, Hitachinaka (JP);  
**Tomoyuki Kawahara**, Hitachinaka (JP);  
**Haruhisa Fujisawa**, Hitachinaka (JP)

(73) Assignee: **Hitachi Koki Co., Ltd.**, Tokyo (JP)

(\*\*) Term: **14 Years**

(21) Appl. No.: **29/441,386**

(22) Filed: **Jan. 4, 2013**

(30) **Foreign Application Priority Data**

Jul. 6, 2012 (JP) ..... 2012-016090

(51) **LOC (9) Cl.** ..... **13-02**

(52) **U.S. Cl.**  
USPC ..... **D13/103**

(58) **Field of Classification Search**  
USPC ..... D13/102-108, 110, 118-121, 184,  
D13/199; 429/96-100, 163, 176

See application file for complete search history.

(56) **References Cited**

U.S. PATENT DOCUMENTS

D407,065	S	*	3/1999	Chang	.....	D13/110
6,565,381	B1	*	5/2003	Chou	.....	439/501
D528,504	S	*	9/2006	Bobbin	.....	D13/103
D545,268	S	*	6/2007	Shiu	.....	D13/103
D573,087	S	*	7/2008	Kumthampinij et al.	....	D13/103

\* cited by examiner

*Primary Examiner* — Rosemary K Tarcza  
(74) *Attorney, Agent, or Firm* — Sughrue Mion, PLLC

(57) **CLAIM**

The ornamental design for rechargeable battery, as shown and described.

**DESCRIPTION**

FIG. 1 is a front perspective view of the rechargeable battery showing our new design;  
FIG. 2 is a rear perspective view thereof;  
FIG. 3 is a front view thereof;  
FIG. 4 is a rear view thereof;  
FIG. 5 is a left side view thereof;  
FIG. 6 is a right side view thereof;  
FIG. 7 is a top plan view thereof;  
FIG. 8 is a bottom view thereof; and,  
FIG. 9 is a reference perspective view thereof.  
The broken lines represent the portions of the design that form no part of the claim.

**1 Claim, 8 Drawing Sheets**

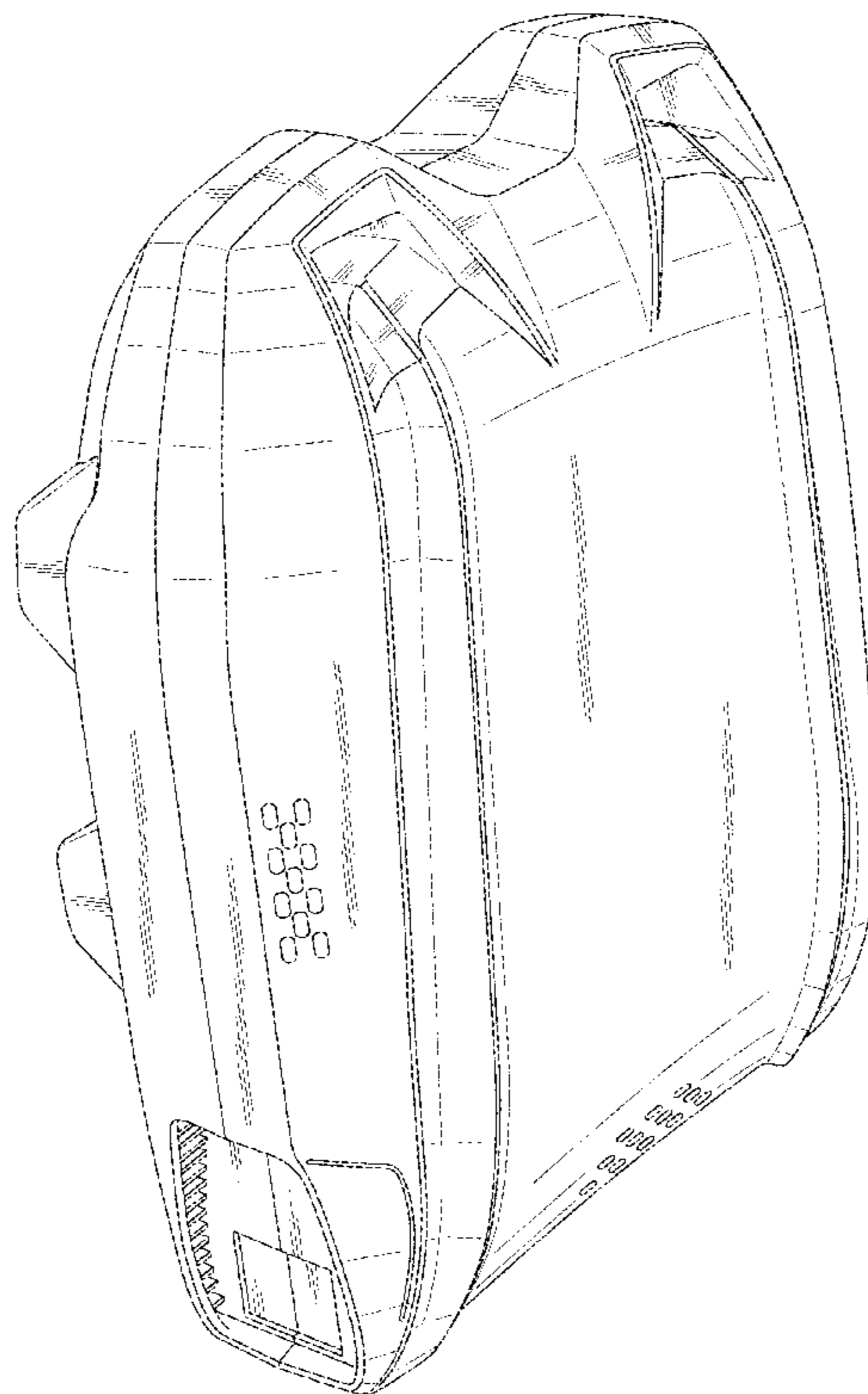


Fig. 1



Fig. 2

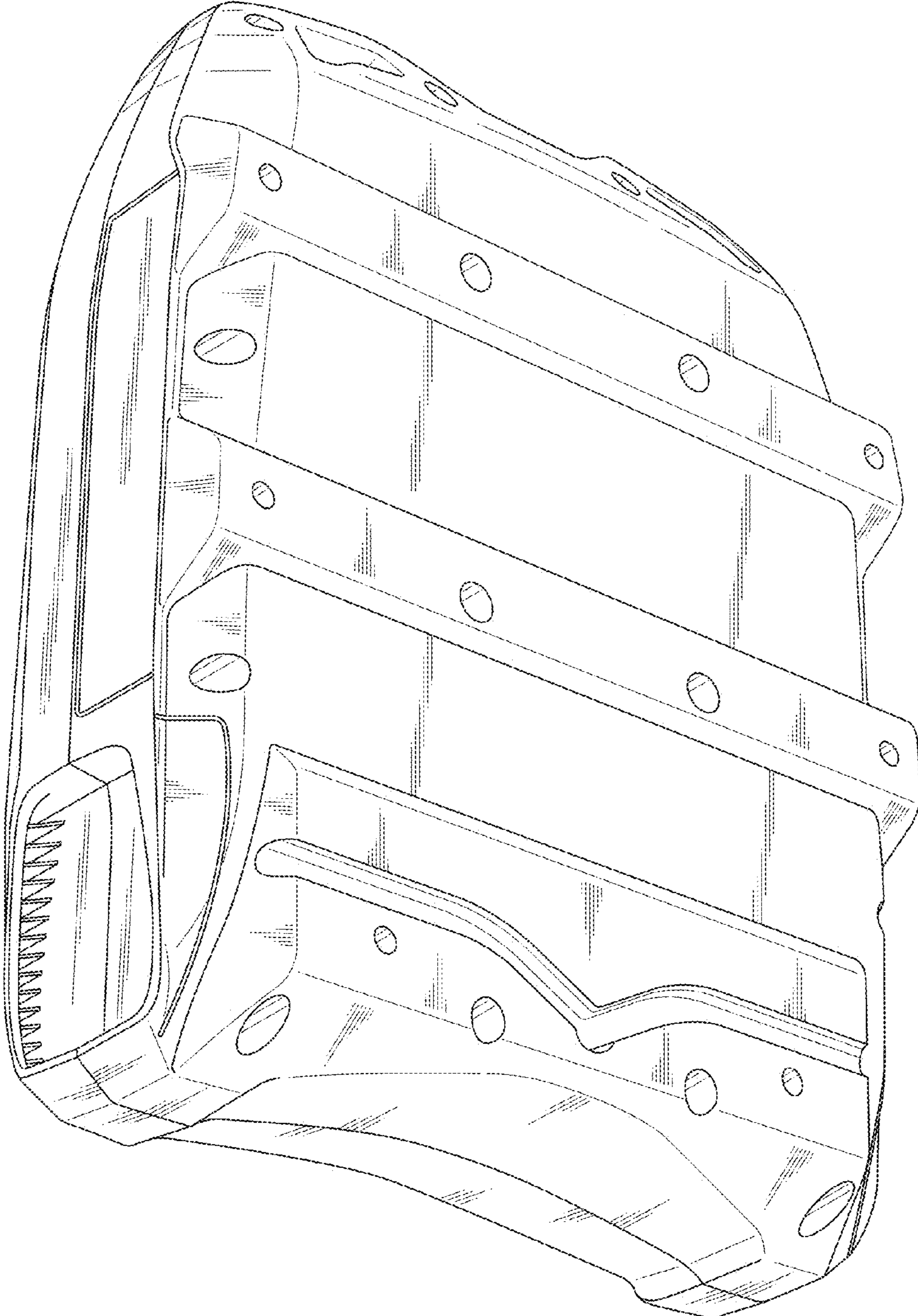




Fig. 3

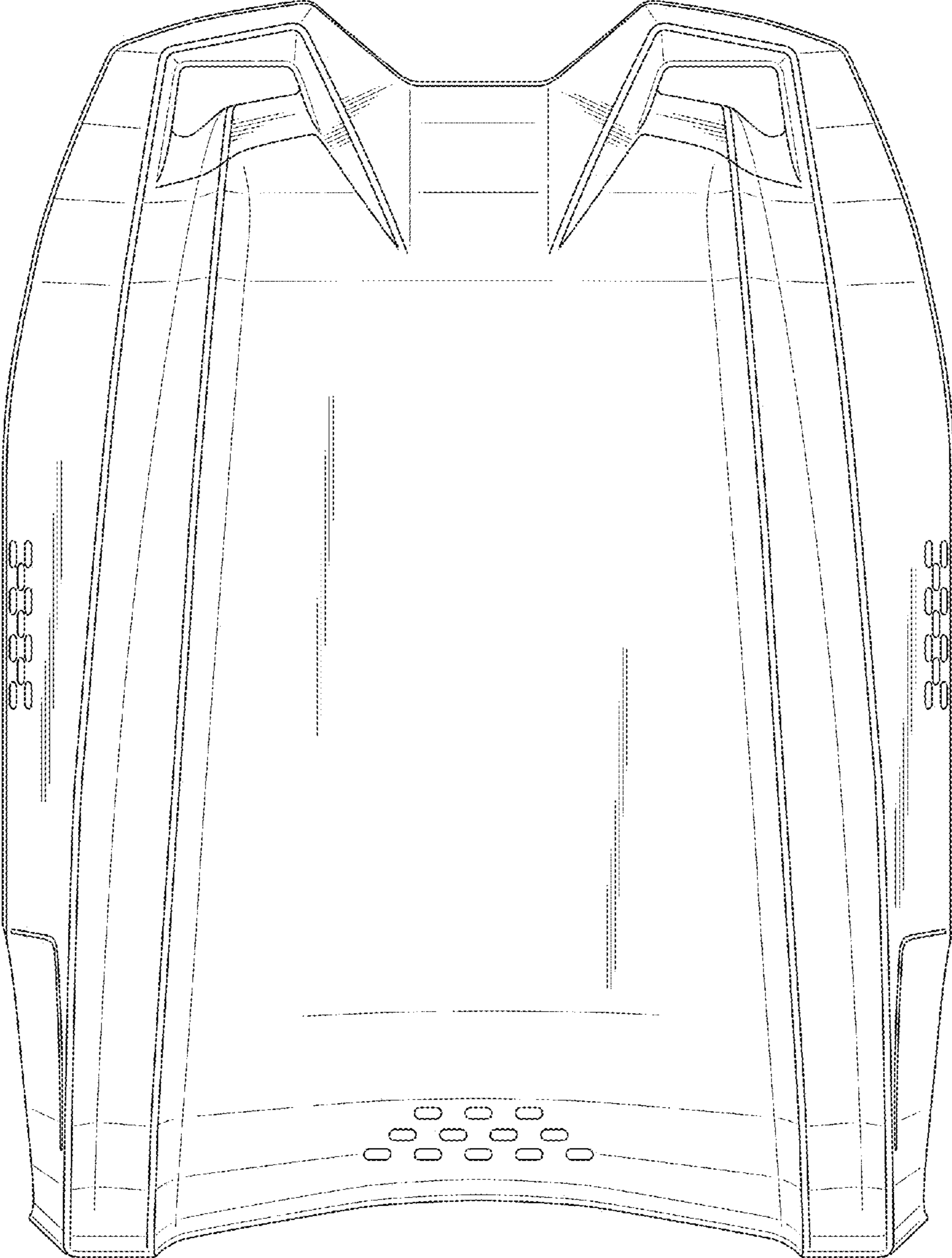


Fig. 4

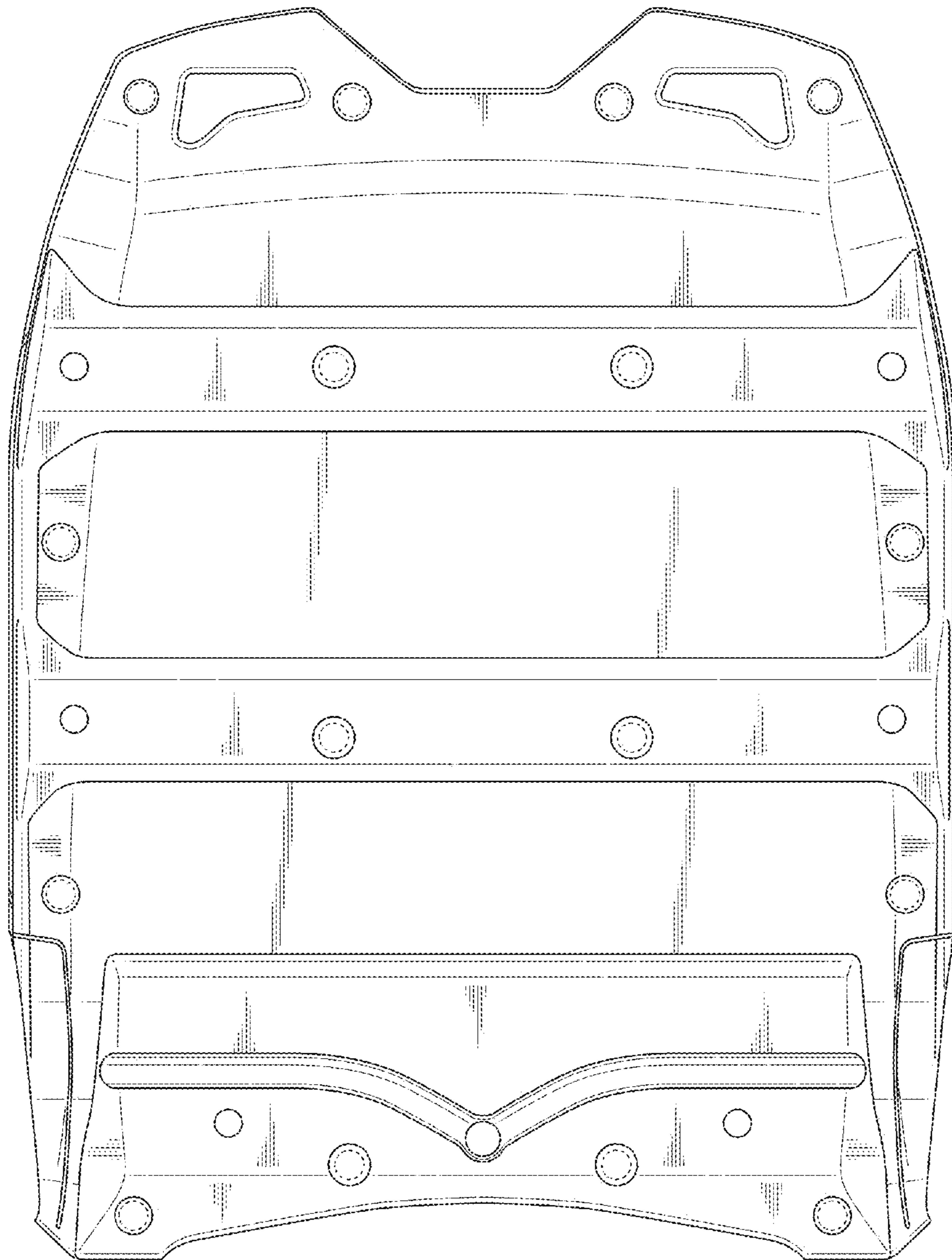


Fig. 5

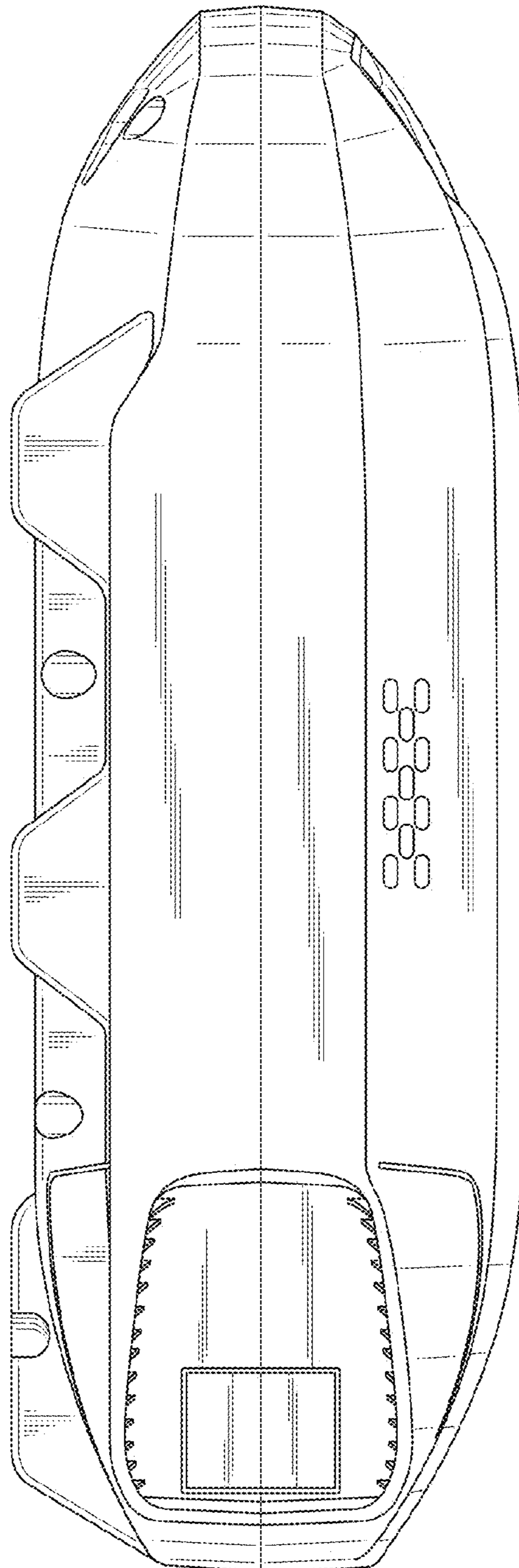


Fig. 6

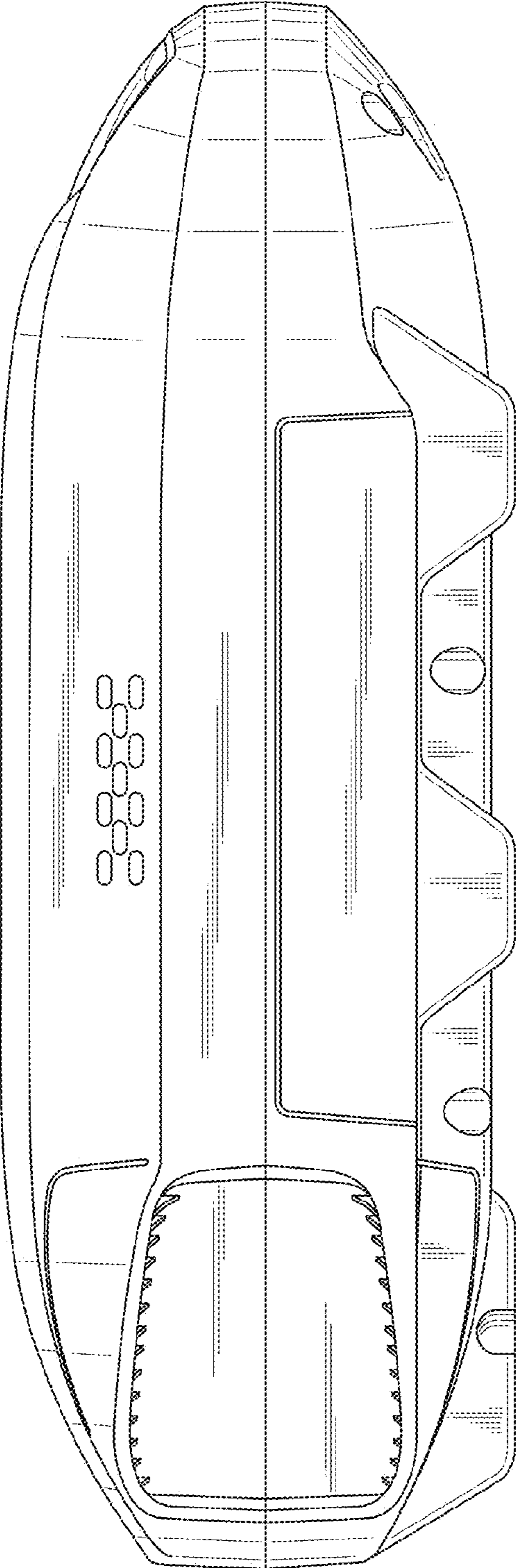


Fig. 7

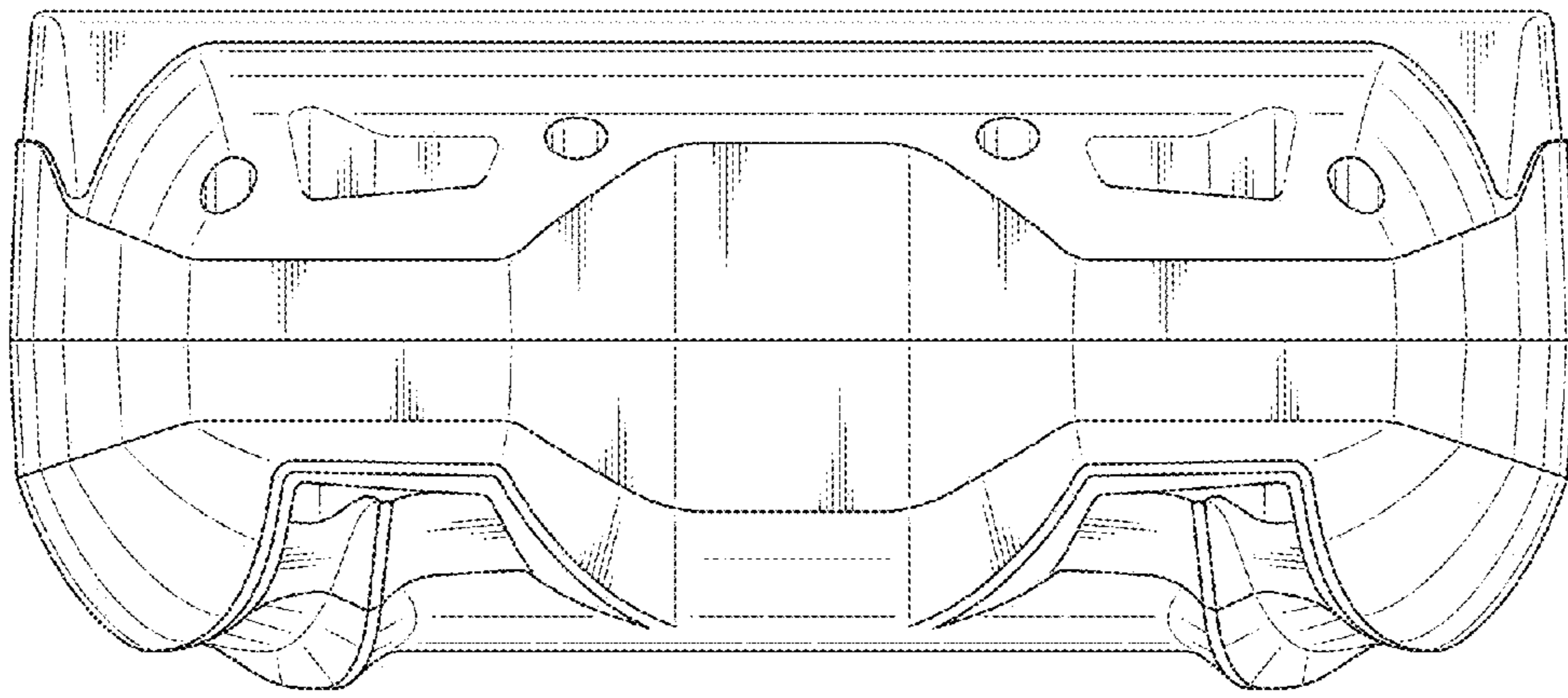


Fig. 8

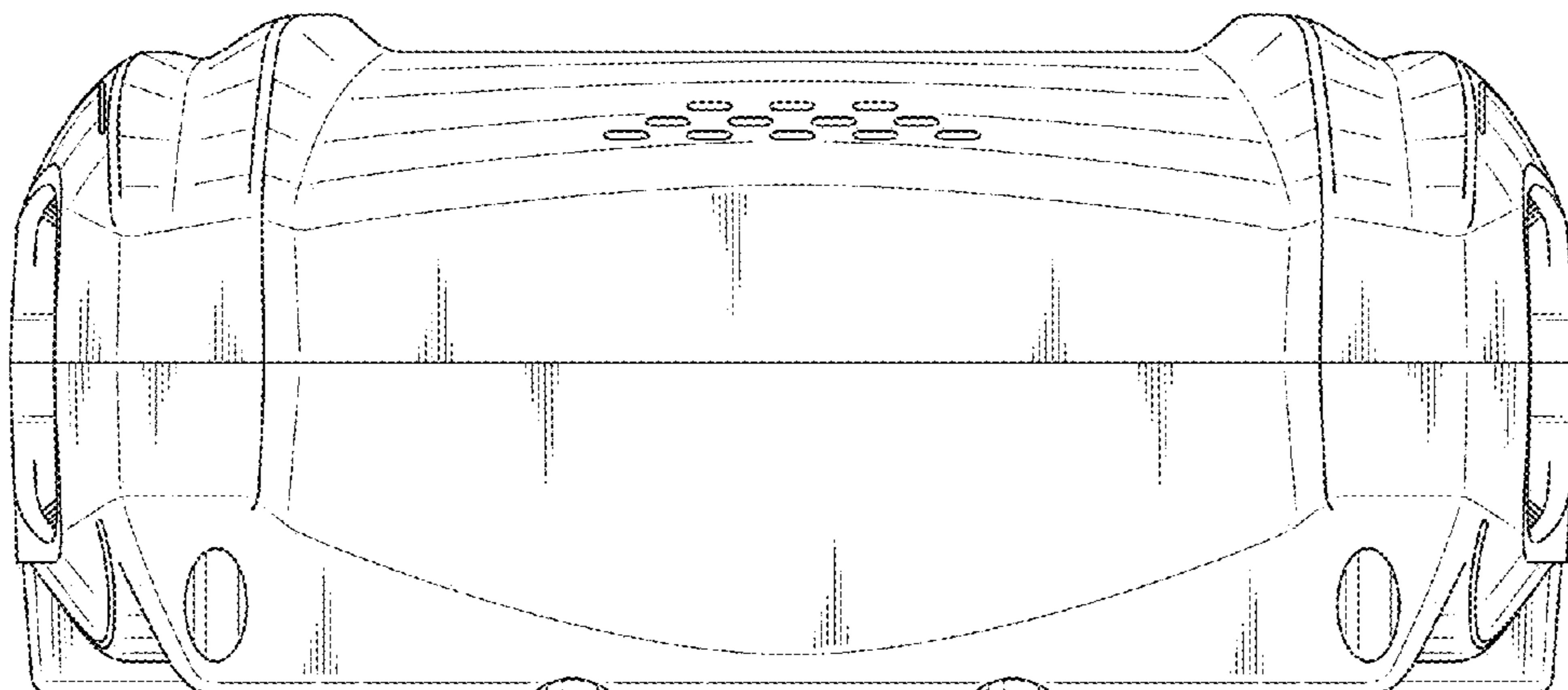




Fig. 9

