



US00D689431S

(12) **United States Design Patent**
Pons et al.

(10) **Patent No.:** **US D689,431 S**

(45) **Date of Patent:** **** Sep. 10, 2013**

- (54) **TIRE**
- (75) Inventors: **Frederic Michel-Jean Pons**, Thionville (FR); **Sebastien Willy Fontaine**, Vichten (LU); **Anne-France Gabrielle Jeanne-Marie Cambron**, Mersch (LU); **Patrick Paul Deblaize**, Mamer (LU)
- (73) Assignee: **The Goodyear Tire & Rubber Company**, Akron, OH (US)

D556,670 S	12/2007	Fontaine et al.	D12/553
D575,726 S	8/2008	Fontaine et al.	D12/564
D586,728 S	2/2009	Heinen et al.	D12/547
D589,874 S	4/2009	Fontaine et al.	D12/564
D591,221 S	4/2009	Fontaine et al.	D12/563
D591,672 S	5/2009	de Briey-Terlinden et al.	D12/553
D592,588 S	5/2009	Heinen et al.	D12/564
D595,639 S	7/2009	de Briey-Terlinden	D12/553
D595,640 S	7/2009	de Briey-Terlinden	D12/564
D596,109 S	7/2009	de Briey-Terlinden	D12/553
D597,475 S	8/2009	Heinen et al.	D12/553

(**) Term: **14 Years**

(21) Appl. No.: **29/407,252**

(22) Filed: **Nov. 25, 2011**

(51) **LOC (9) Cl.** **12-15**

(52) **U.S. Cl.**
USPC **D12/545**

(58) **Field of Classification Search**
USPC D12/513, 900-901, 580, 533-567;
152/209.1-209.9, 209.11-209.19, 209.21-209.28,
152/455
See application file for complete search history.

(56) **References Cited**

U.S. PATENT DOCUMENTS

D271,961 S	*	12/1983	Gorez	D12/545
D279,281 S	*	6/1985	Hutz	D12/545
D327,042 S	*	6/1992	Koyama	D12/545
D362,420 S		9/1995	Heinen et al.	D12/147
D387,714 S		12/1997	Heinen	D12/147
D429,194 S		8/2000	Heinen et al.	D12/147
D429,478 S		8/2000	Heinen et al.	D12/147
D441,695 S		5/2001	Heinen et al.	D12/147
D451,068 S		11/2001	Heinen et al.	D12/547
D452,198 S		12/2001	Heinen et al.	D12/146
D471,509 S	*	3/2003	Graas	D12/545
D504,106 S		4/2005	de Briey-Terlinden et al.	D12/553
D504,866 S		5/2005	Collette et al.	D12/553
D531,955 S		11/2006	Fontaine et al.	D12/588
D533,131 S		12/2006	Fontaine et al.	D12/588
D533,132 S		12/2006	Fontaine et al.	D12/588

(Continued)

Primary Examiner — Stacia Cadmus

(74) *Attorney, Agent, or Firm* — Richard B. O'Planick

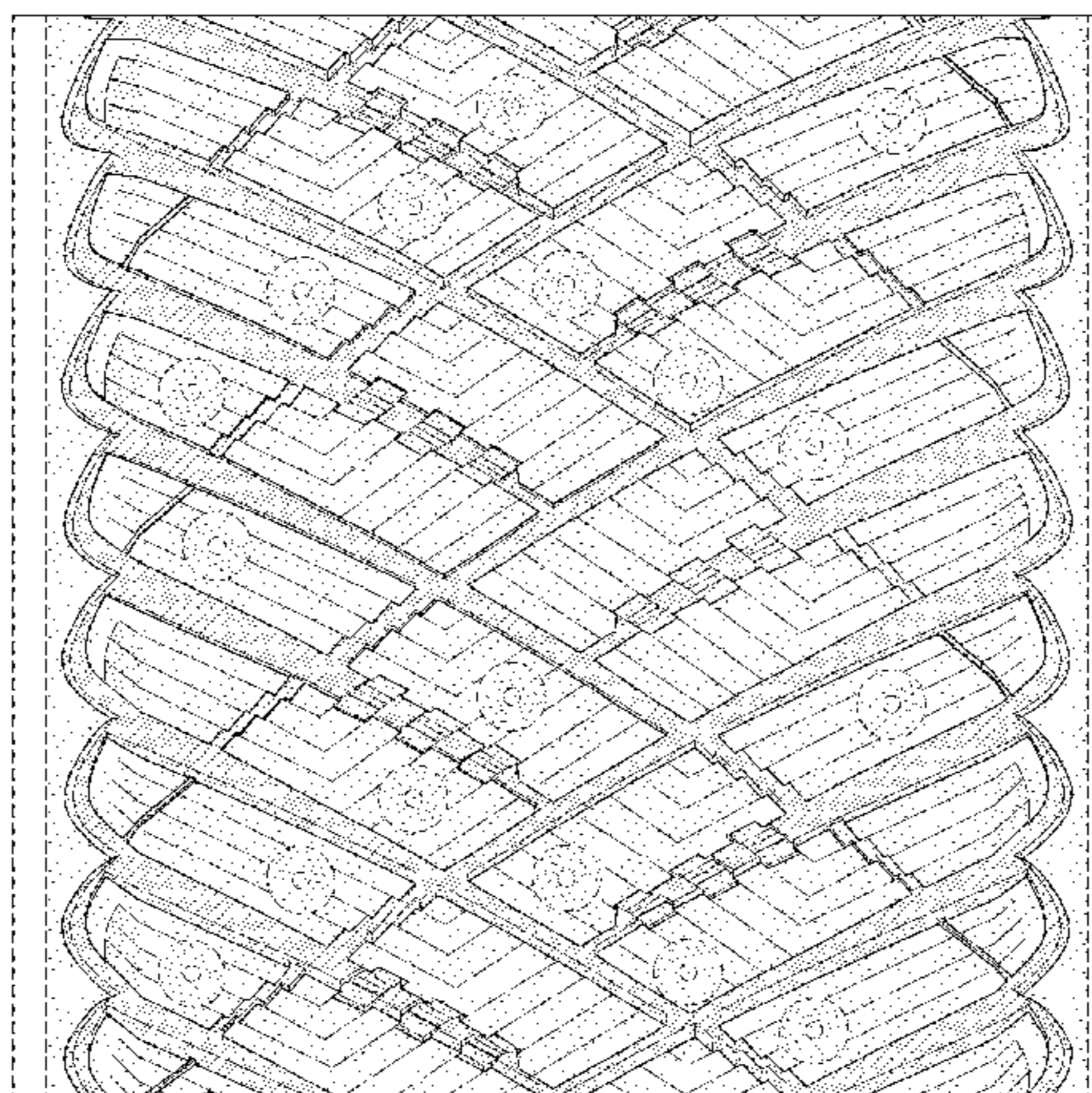
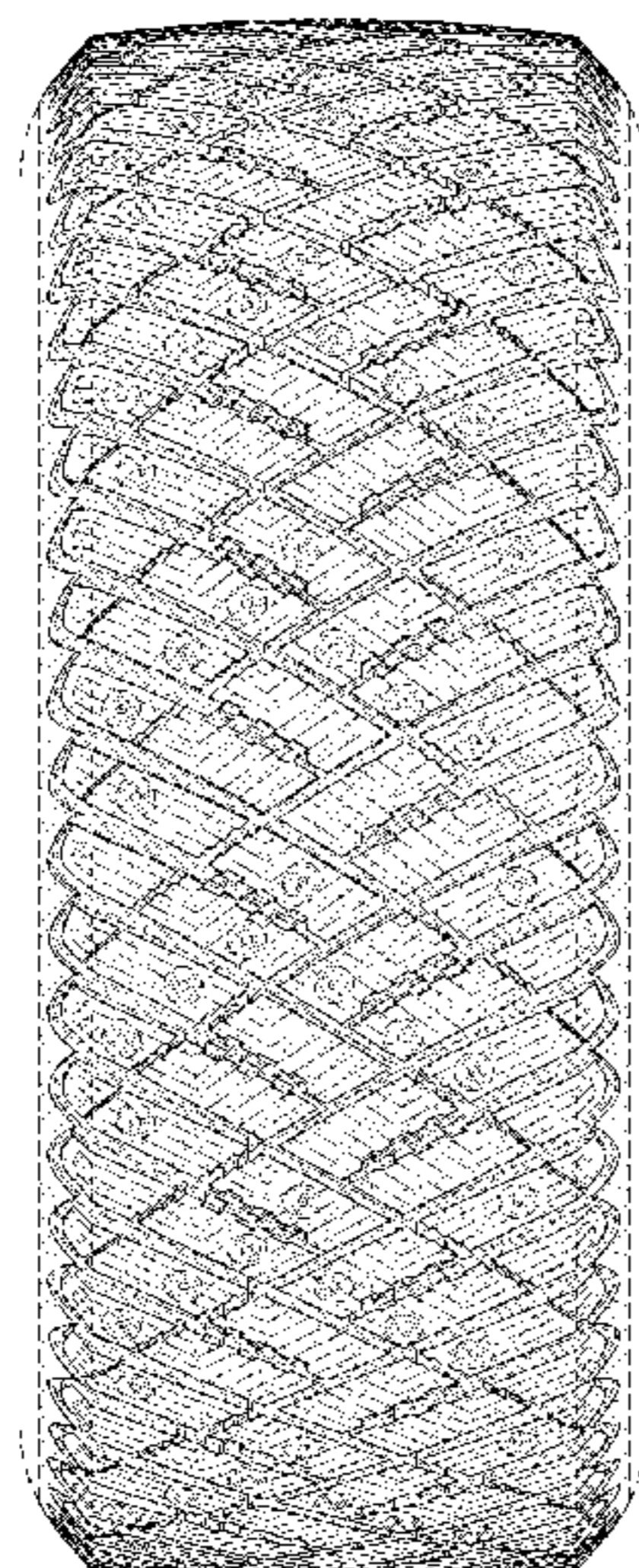
(57) **CLAIM**

The ornamental design for a tire, as shown and described.

DESCRIPTION

FIG. 1 is a perspective view of a tire showing our new design, it being understood that the pattern repeats uniformly throughout the circumference of the tread;
 FIG. 2 is a front elevational view thereof;
 FIG. 3 is a right side elevational view thereof; the other side being a mirror image thereof;
 FIG. 4 is an enlarged fragmentary front elevational view thereof;
 FIG. 5 is a perspective view of a second embodiment of a tire showing our new design, it being understood that the pattern repeats uniformly throughout the circumference of the tread and that the opposite side view is a mirror image thereof; and,
 FIG. 6 is a front elevational view of a second embodiment, it being understood that an enlarged fragmentary view thereof would be substantially identical to that shown in FIG. 4, with the exception of the inclusion of the sidewall in solid lines.
 In the drawings, the broken lines showing of the sidewall, inner bead and the peripheral boundary between the tire tread and the sidewall in FIGS. 1 through 4 depict environmental subject matter and form no part of the claimed design.

1 Claim, 6 Drawing Sheets



US D689,431 S

Page 2

(56)

References Cited

			D601,946 S	10/2009	Fontaine et al.	D12/553		
			D622,657 S	8/2010	Leocadio et al.	D12/553		
			D640,966 S	7/2011	Fontaine et al.	D12/563		
	U.S. PATENT DOCUMENTS							
	D597,476 S	8/2009	de Briey-Terlinden			D12/553		
	D600,195 S	9/2009	Fontaine et al.			D12/564	* cited by examiner	

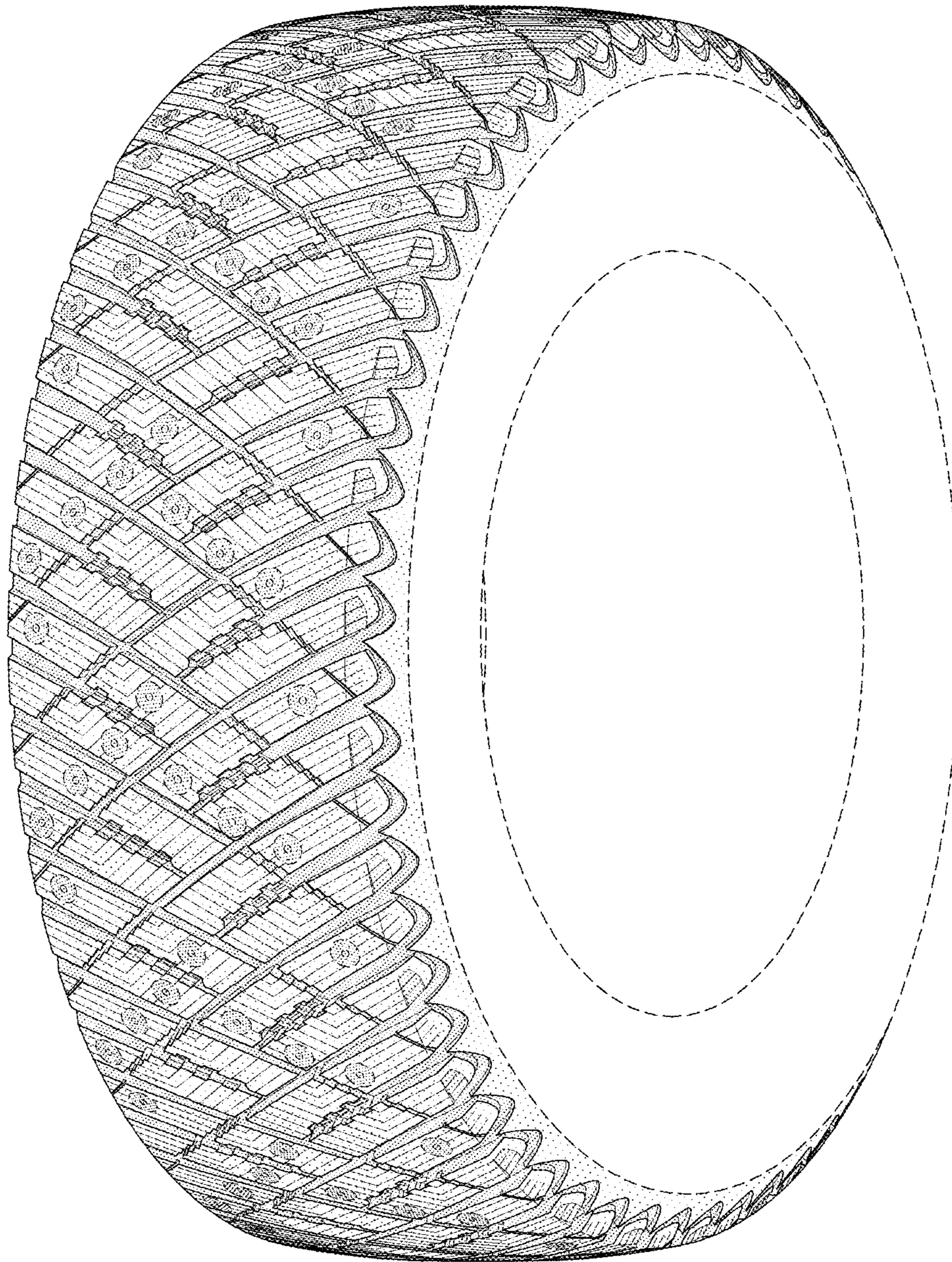


FIG-1

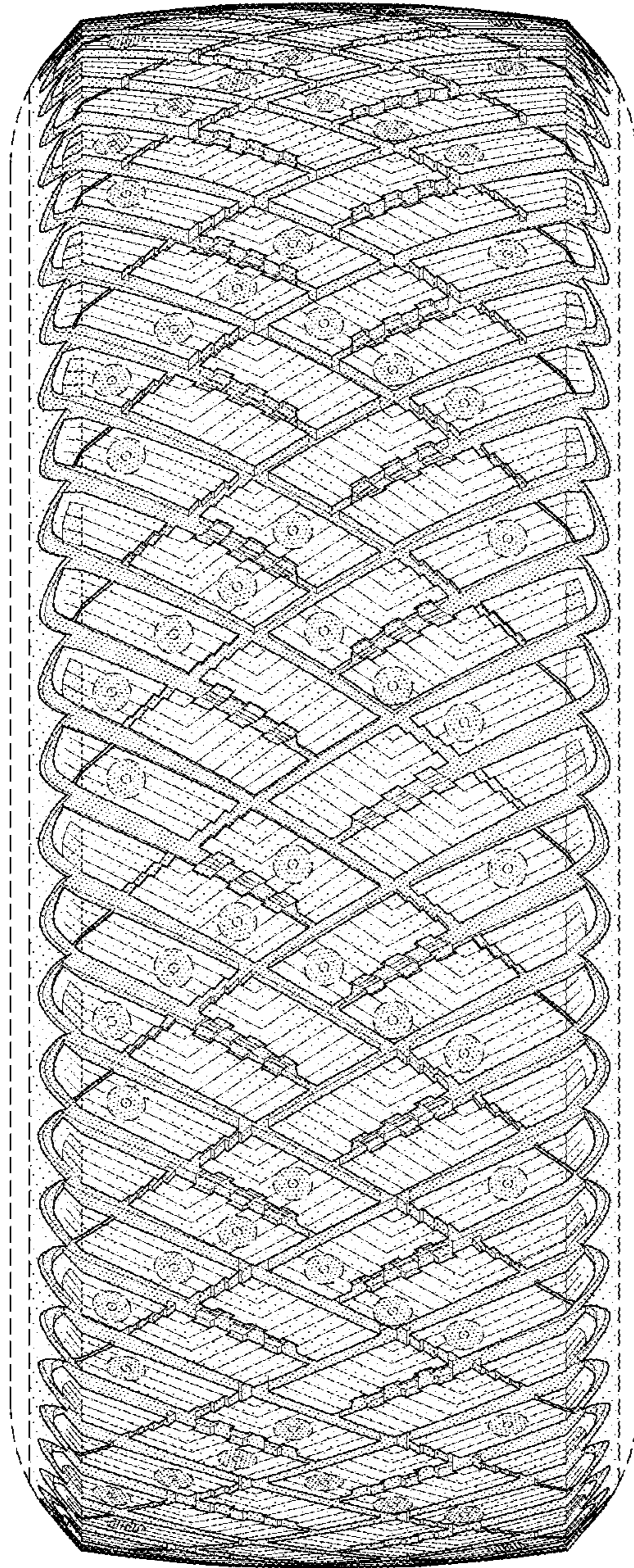


FIG-2

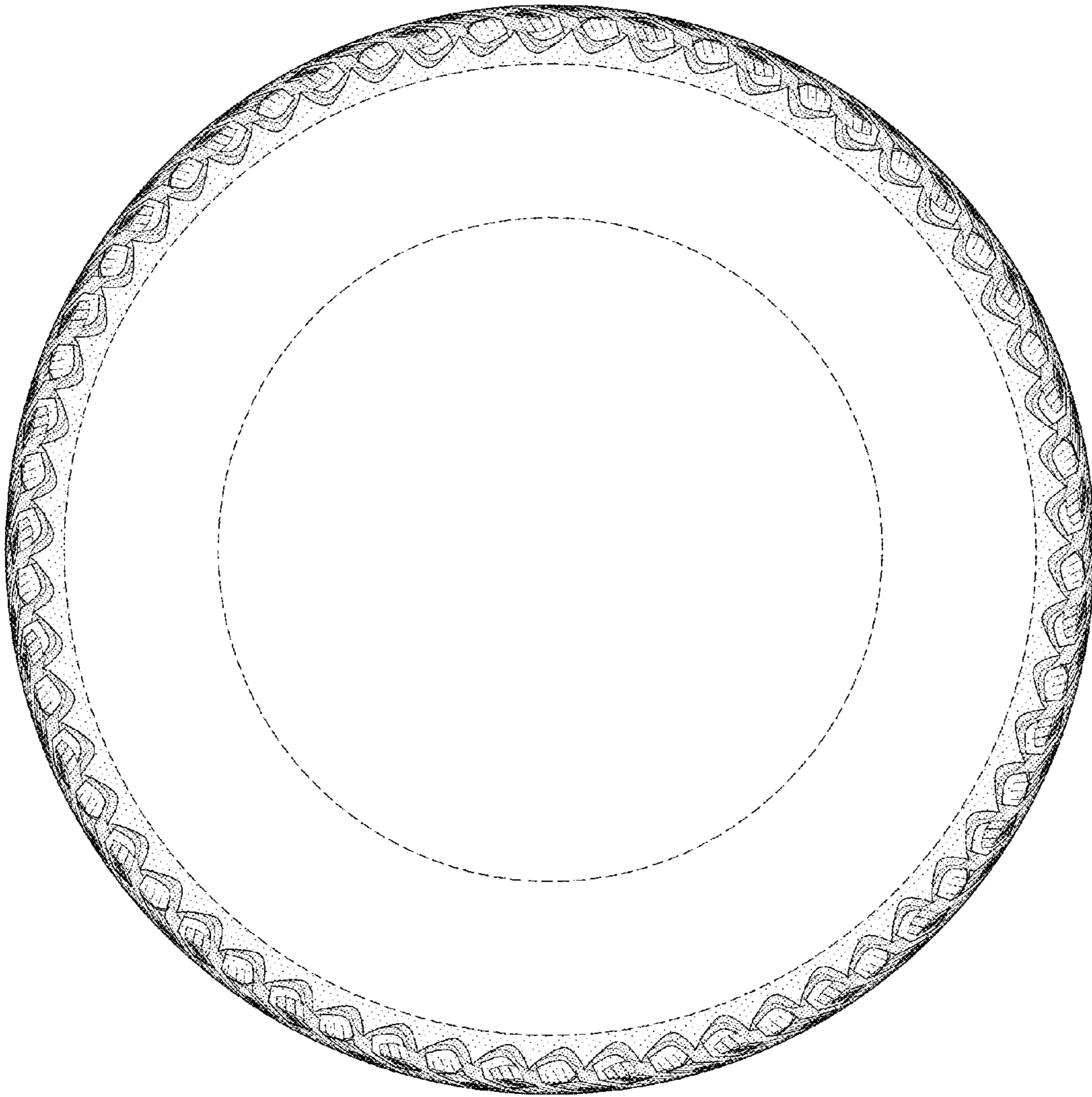


FIG-3

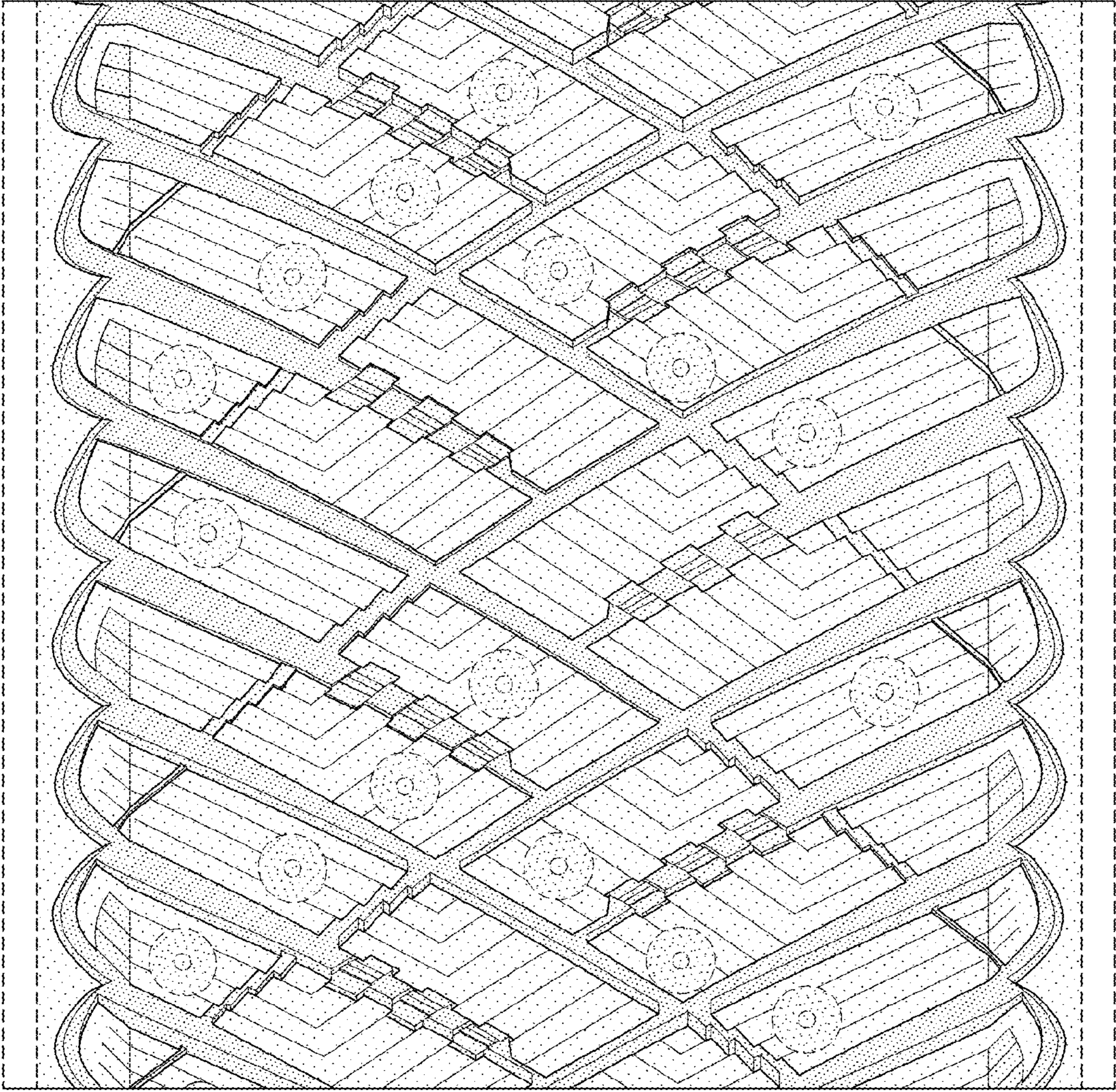


FIG-4

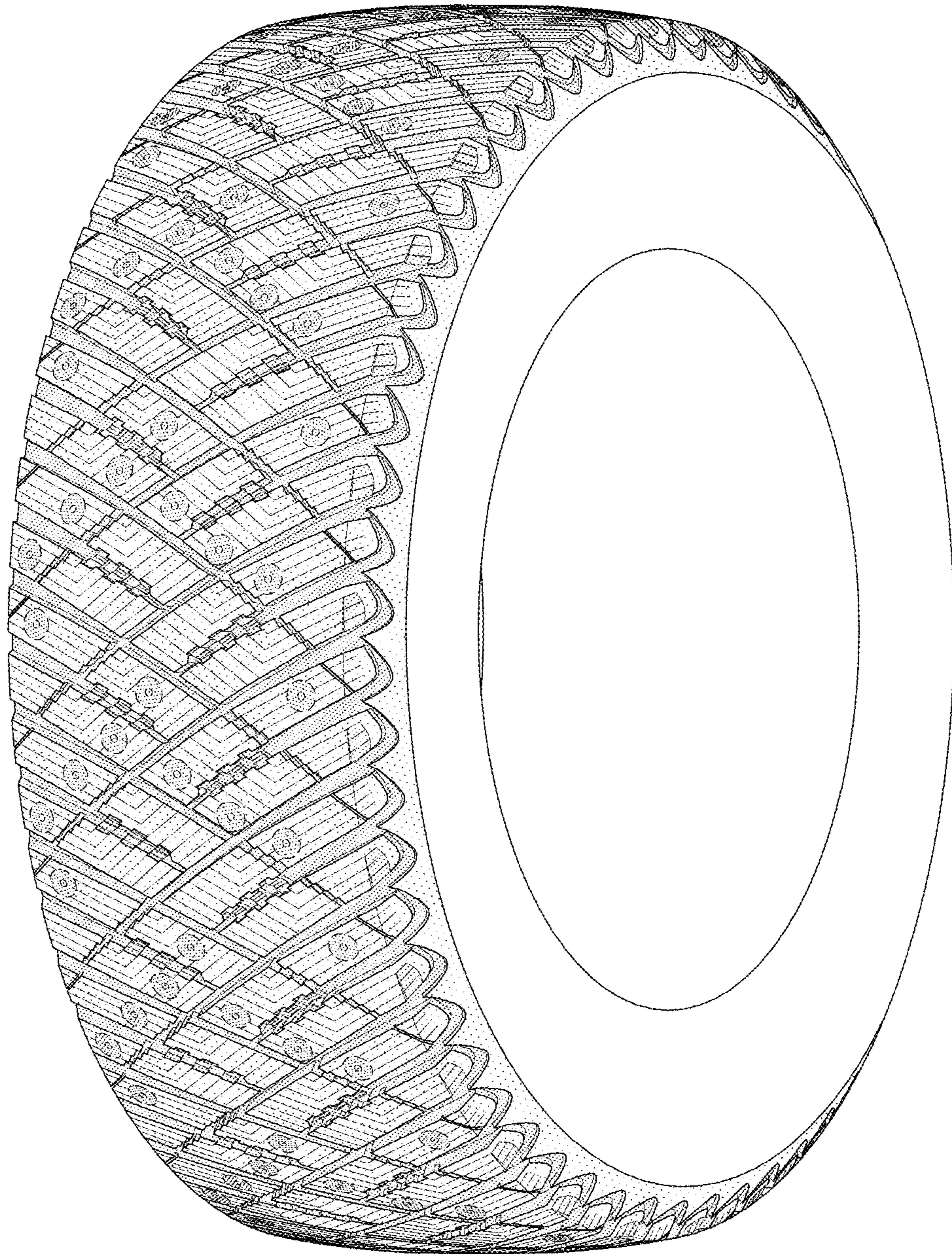


FIG-5

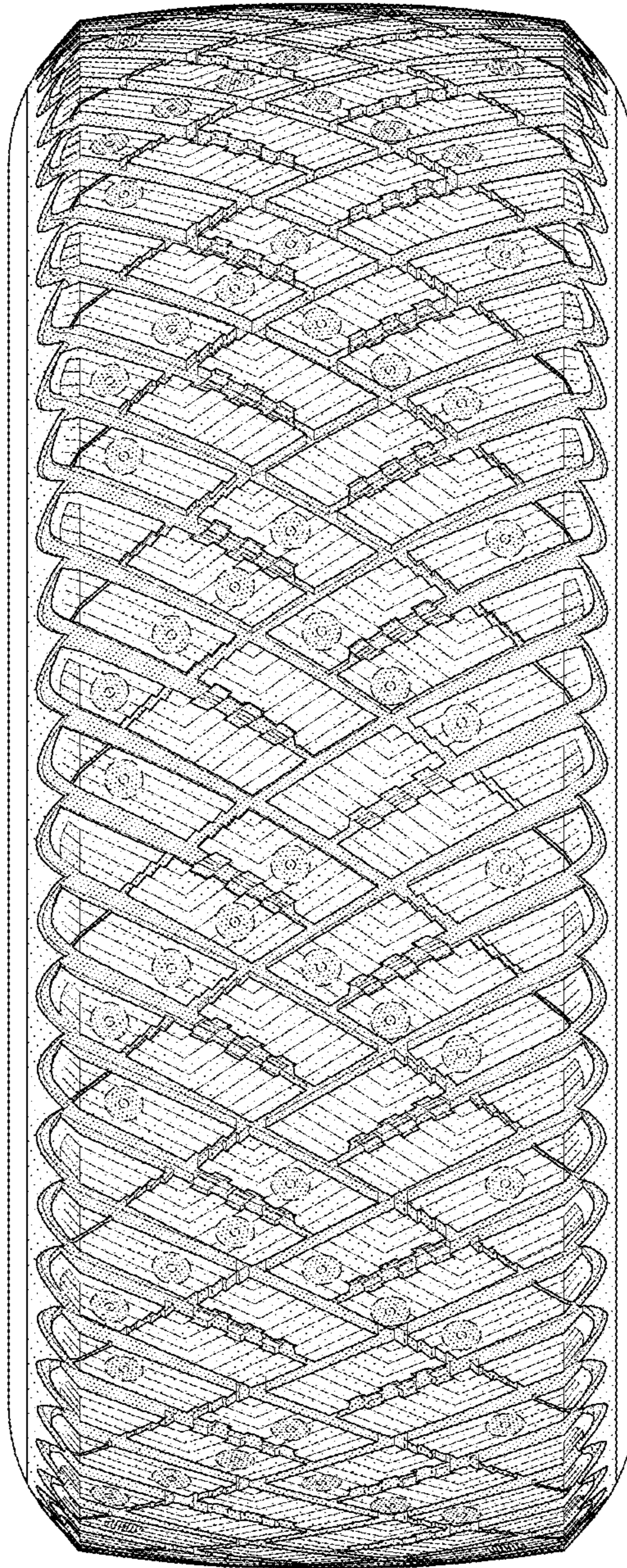


FIG-6