



US00D689427S

(12) **United States Design Patent**  
**Frey**

(10) **Patent No.:** **US D689,427 S**  
(45) **Date of Patent:** **\*\* Sep. 10, 2013**

(54) **STORAGE RACK FOR HEADPHONES**

**DESCRIPTION**

- (75) Inventor: **Andre Frey**, Carlsbad, CA (US)
- (73) Assignee: **Daimler AG**, Stuttgart (DE)
- (\*\*) Term: **14 Years**
- (21) Appl. No.: **29/393,298**
- (22) Filed: **Jun. 2, 2011**
- (51) **LOC (9) Cl.** ..... **12-16**
- (52) **U.S. Cl.**  
USPC ..... **D12/415**
- (58) **Field of Classification Search**  
USPC ..... D12/415-419, 96, 400, 195, 345,  
D12/99, 191, 106; 312/246; 296/37.1-37.8,  
296/70, 24.1, 24.2, 24.3, 137.1, 97.1, 97.2,  
296/97.4, 97.5, 97.6, 97.7, 97.8, 180, 1;  
224/311, 539, 281, 118.1, 275; D8/354;  
D14/451-452; 248/278.1, 274.1, 284.1;  
D9/423; D3/319; 160/370.21, 370.23, 370.22  
See application file for complete search history.

(56) **References Cited**

**U.S. PATENT DOCUMENTS**

D359,944 S *	7/1995	Roberts et al.	.....	D12/415
D585,897 S *	2/2009	Carnevali	.....	D14/434
D633,040 S *	2/2011	Le et al.	.....	D13/108
D652,830 S *	1/2012	Nazar	.....	D14/253
D656,932 S *	4/2012	Wikel	.....	D14/253

\* cited by examiner

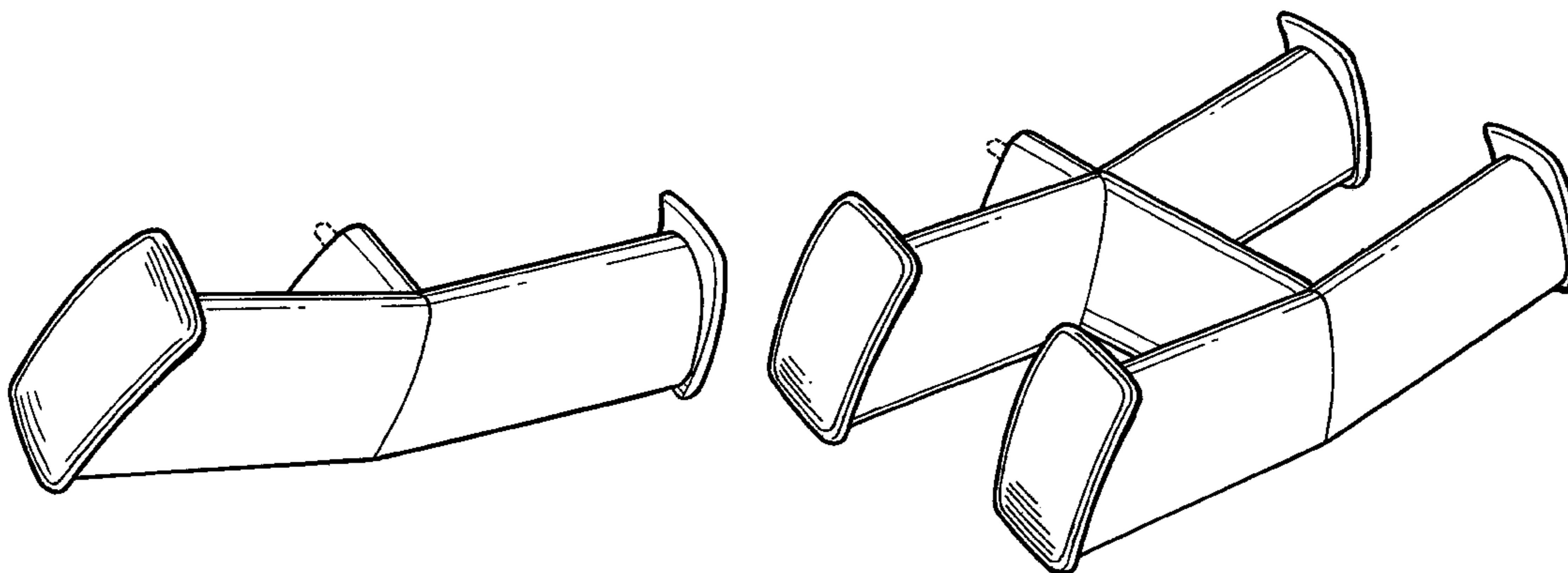
*Primary Examiner* — Katrina A Betton  
(74) *Attorney, Agent, or Firm* — Crowell & Moring LLP

(57) **CLAIM**

The ornamental design for storage rack for headphones, as shown and described.

FIG. 1 is a left, front perspective view of a first embodiment of a storage rack for headphones according to my design, the right, front perspective view being mirror symmetrical;  
 FIG. 2 is a right, side perspective view thereof, the left, side perspective view being mirror symmetrical;  
 FIG. 3 is a front view thereof;  
 FIG. 4 is a left side view thereof, the right side view being mirror symmetrical;  
 FIG. 5 is a top view thereof;  
 FIG. 6 is a bottom view thereof;  
 FIG. 7 is a right, side perspective view thereof showing a possible environment, the left side perspective view being mirror symmetrical; and  
 FIG. 8 is a right, front perspective view thereof showing a possible environment, the left, front perspective view being mirror symmetrical.  
 FIG. 9 is a left, front perspective view of a second embodiment of the storage rack for headphones according to my design, the right, front perspective view being mirror symmetrical;  
 FIG. 10 is a right, side perspective view thereof, the left, side perspective view being mirror symmetrical;  
 FIG. 11 is a front view thereof;  
 FIG. 12 is a left side view thereof, the right side view being mirror symmetrical;  
 FIG. 13 is a top view thereof;  
 FIG. 14 is a bottom view thereof;  
 FIG. 15 is a right, side perspective view thereof showing a possible environment, the left side perspective view being mirror symmetrical; and,  
 FIG. 16 is a right, front perspective view thereof showing a possible environment, the left, front perspective view being mirror symmetrical.  
 The broken lines are for illustrative purposes only and form no part of the claimed design.

**1 Claim, 10 Drawing Sheets**



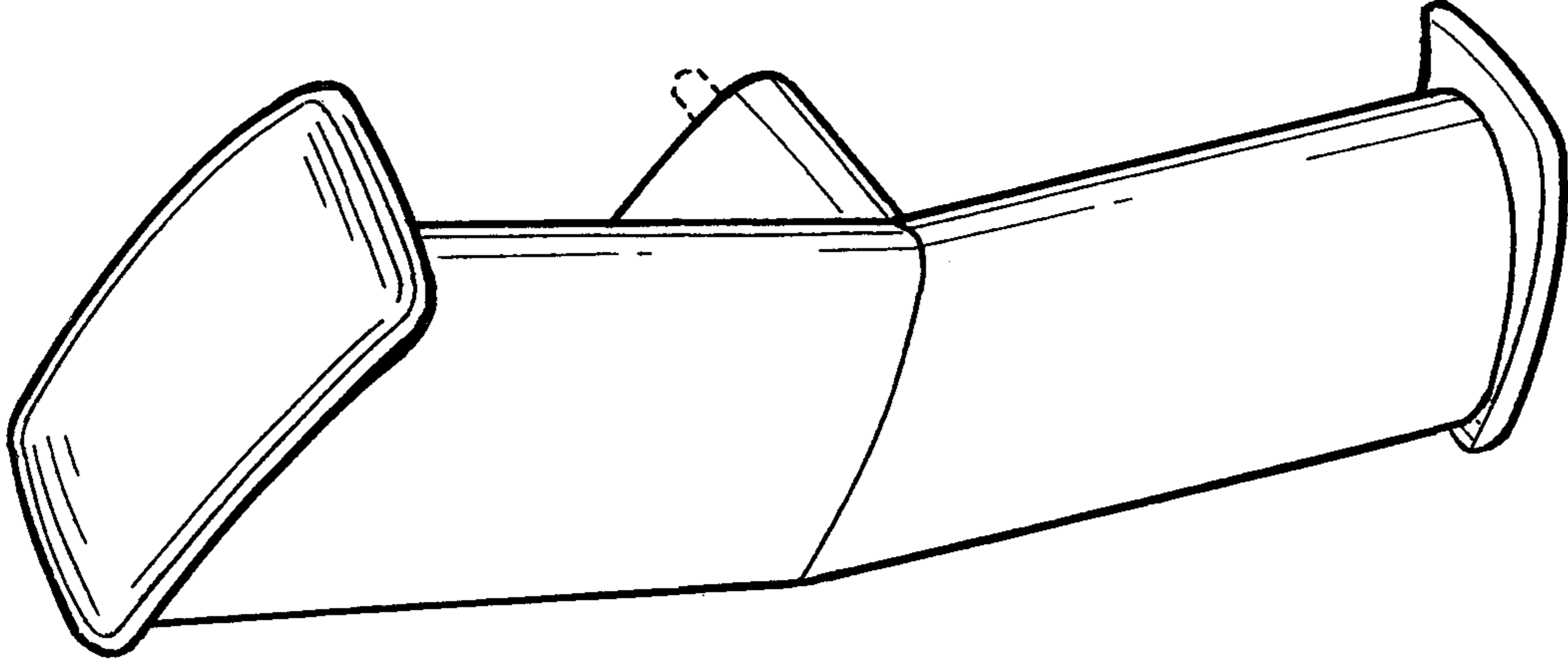


FIG. 1

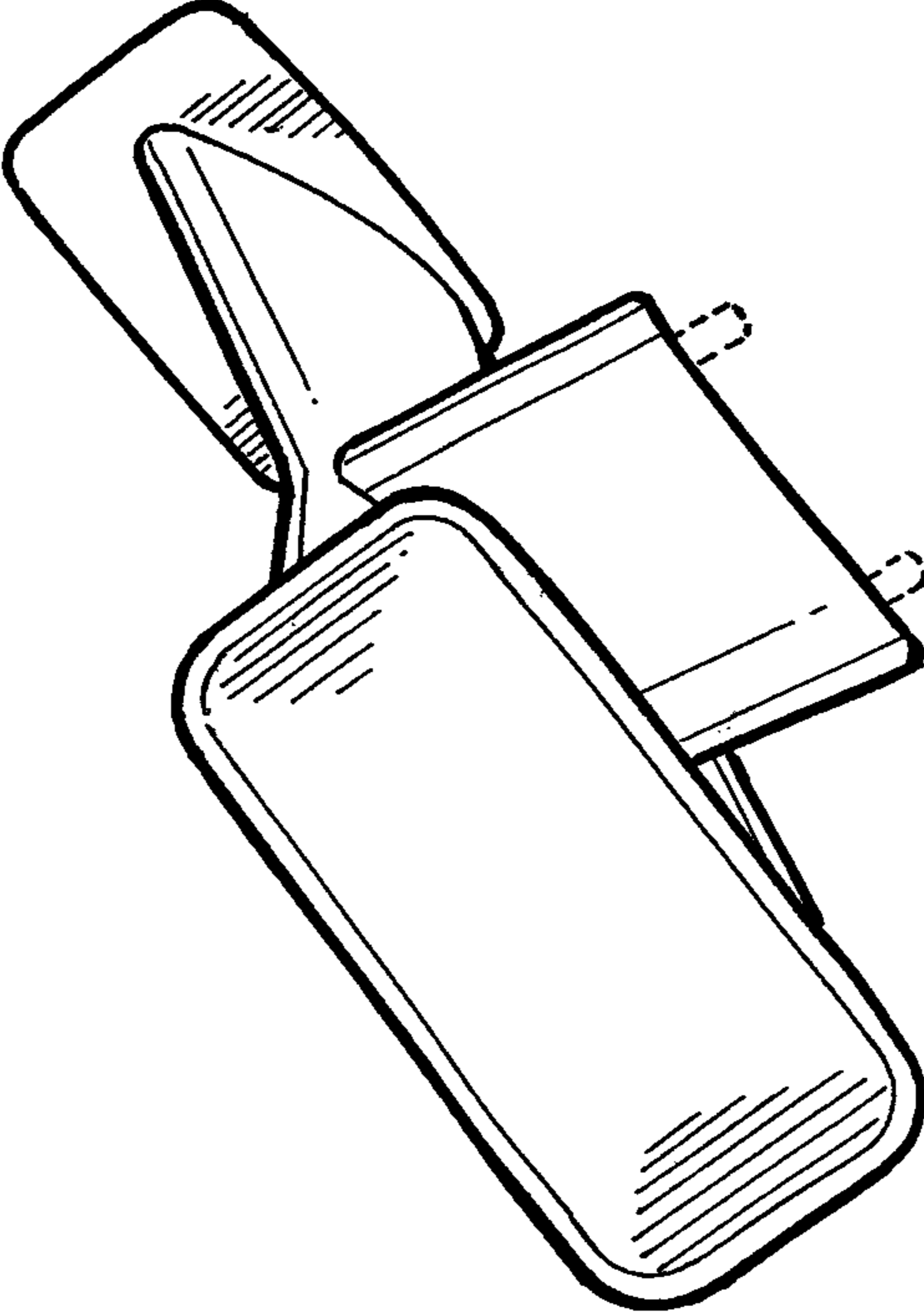
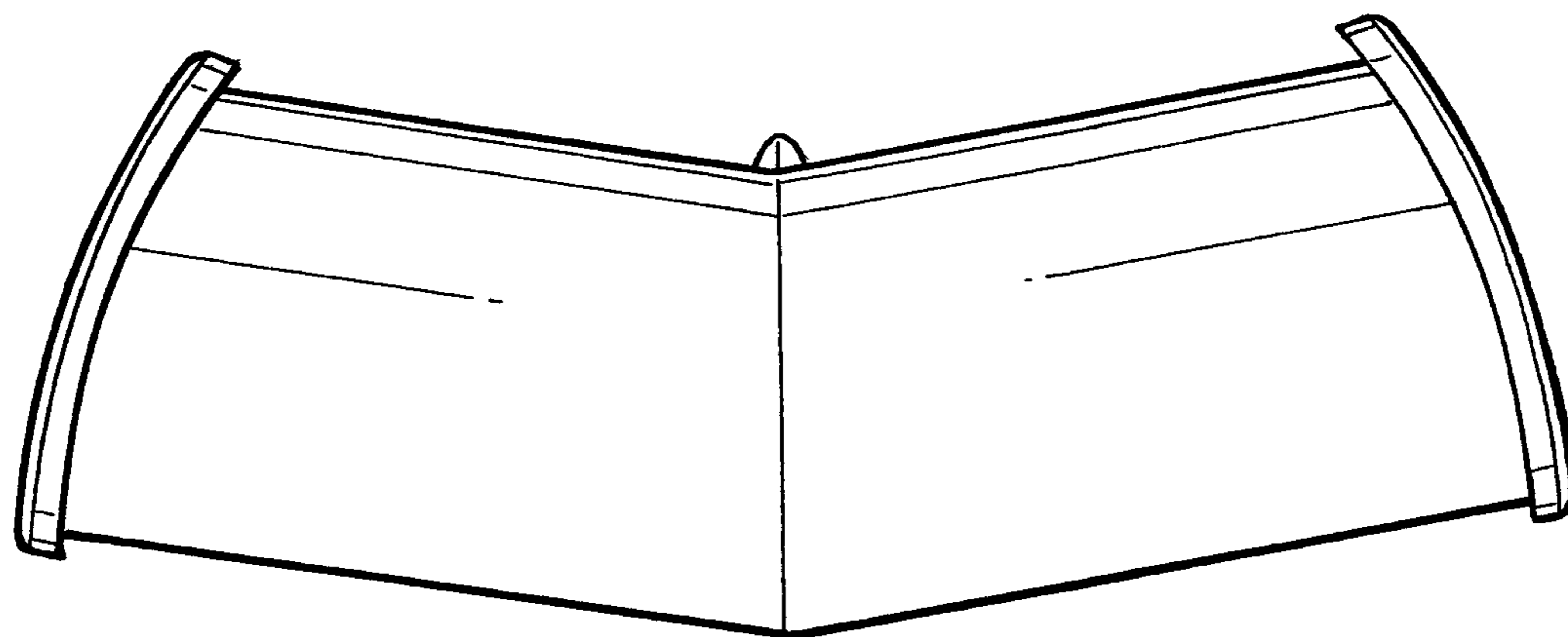
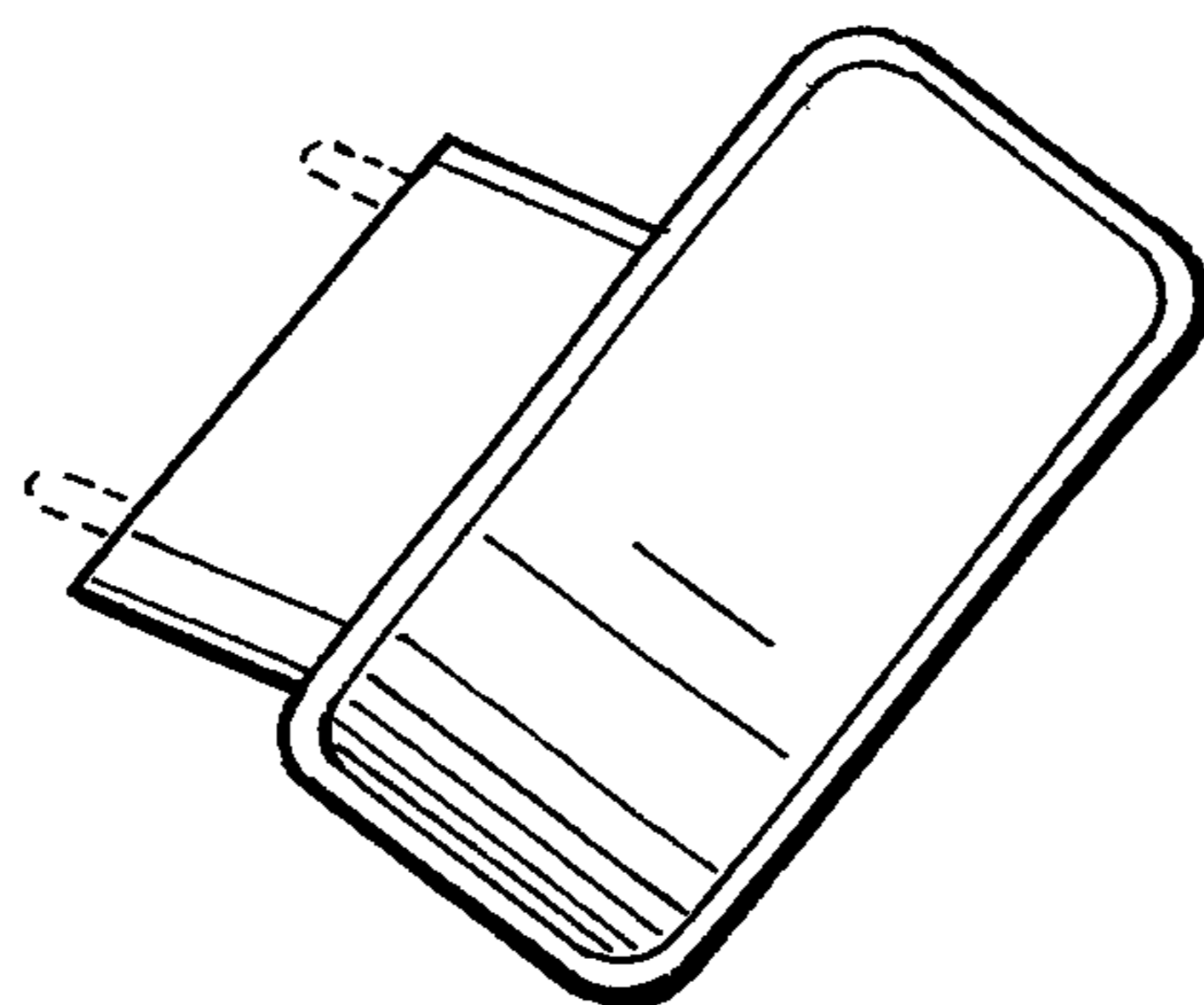


FIG. 2



**FIG. 3**



**FIG. 4**

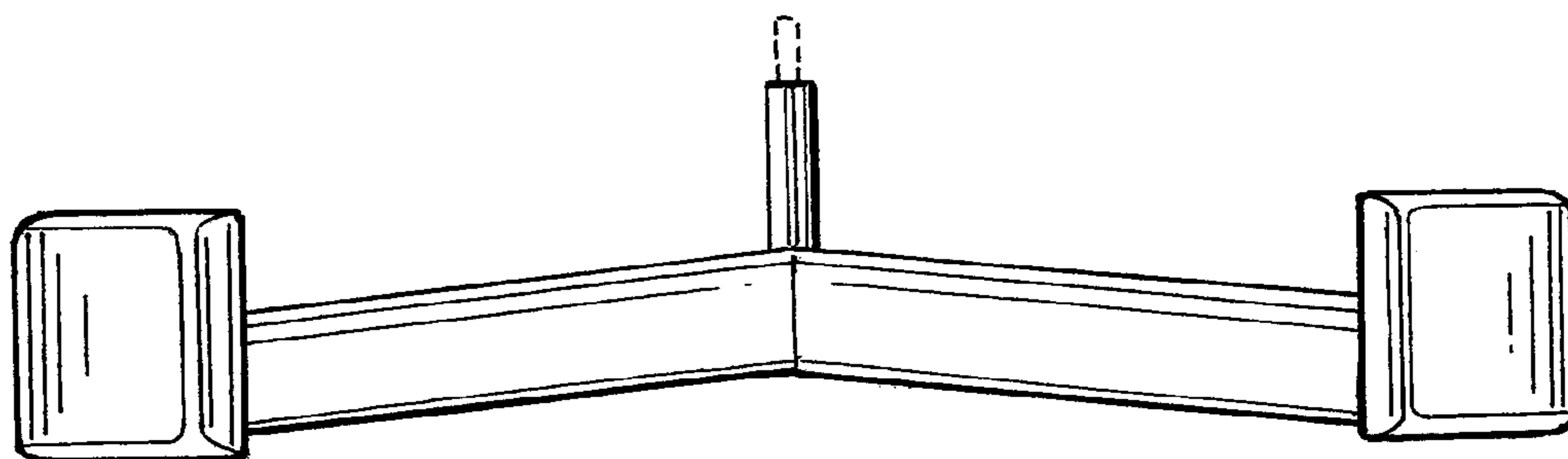


FIG. 5

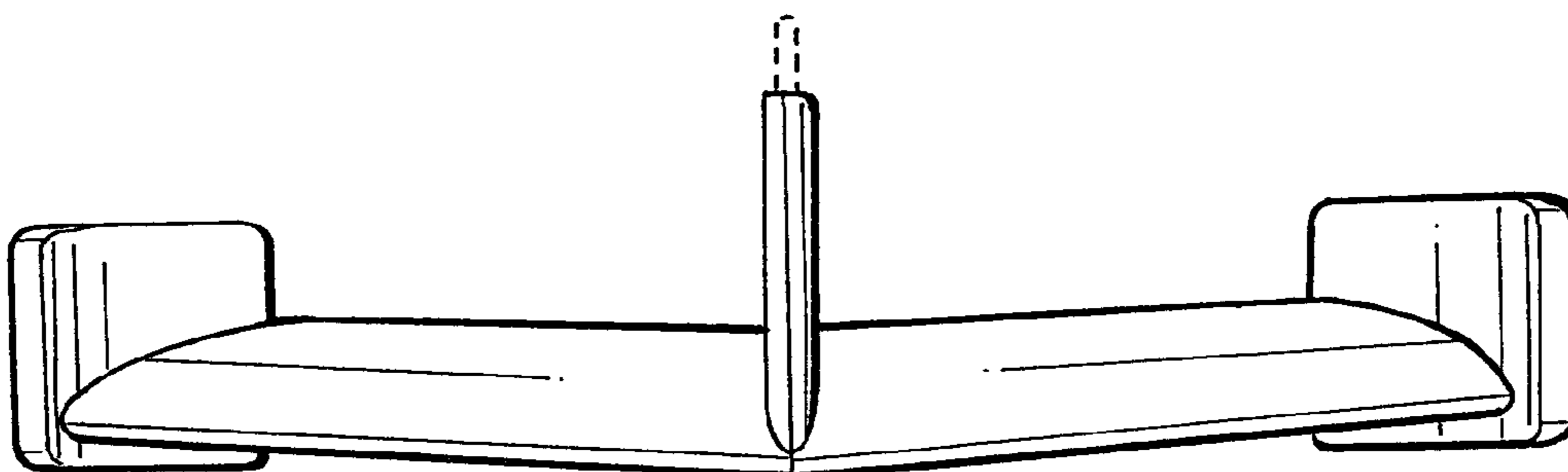
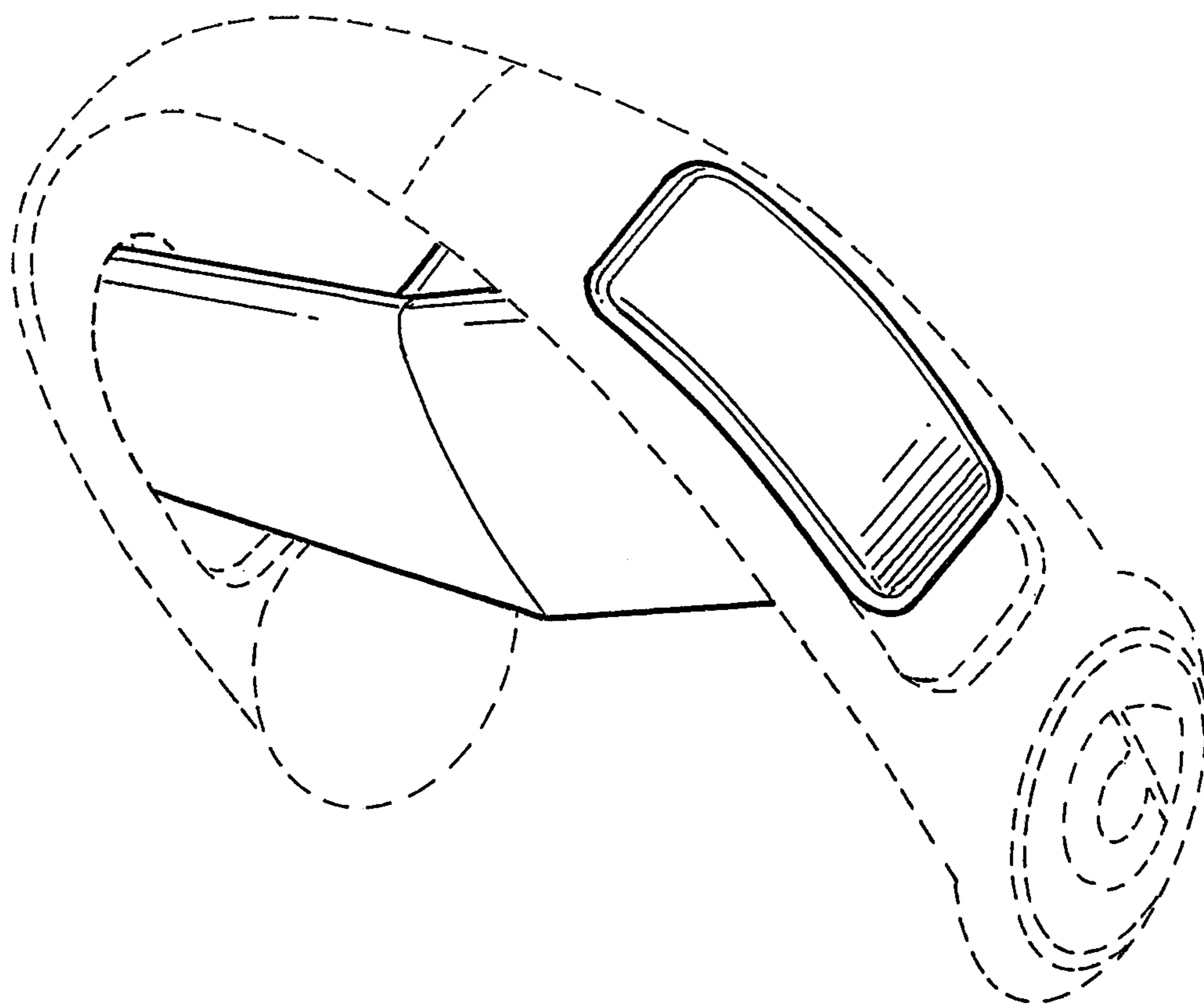


FIG. 6



**FIG. 7**

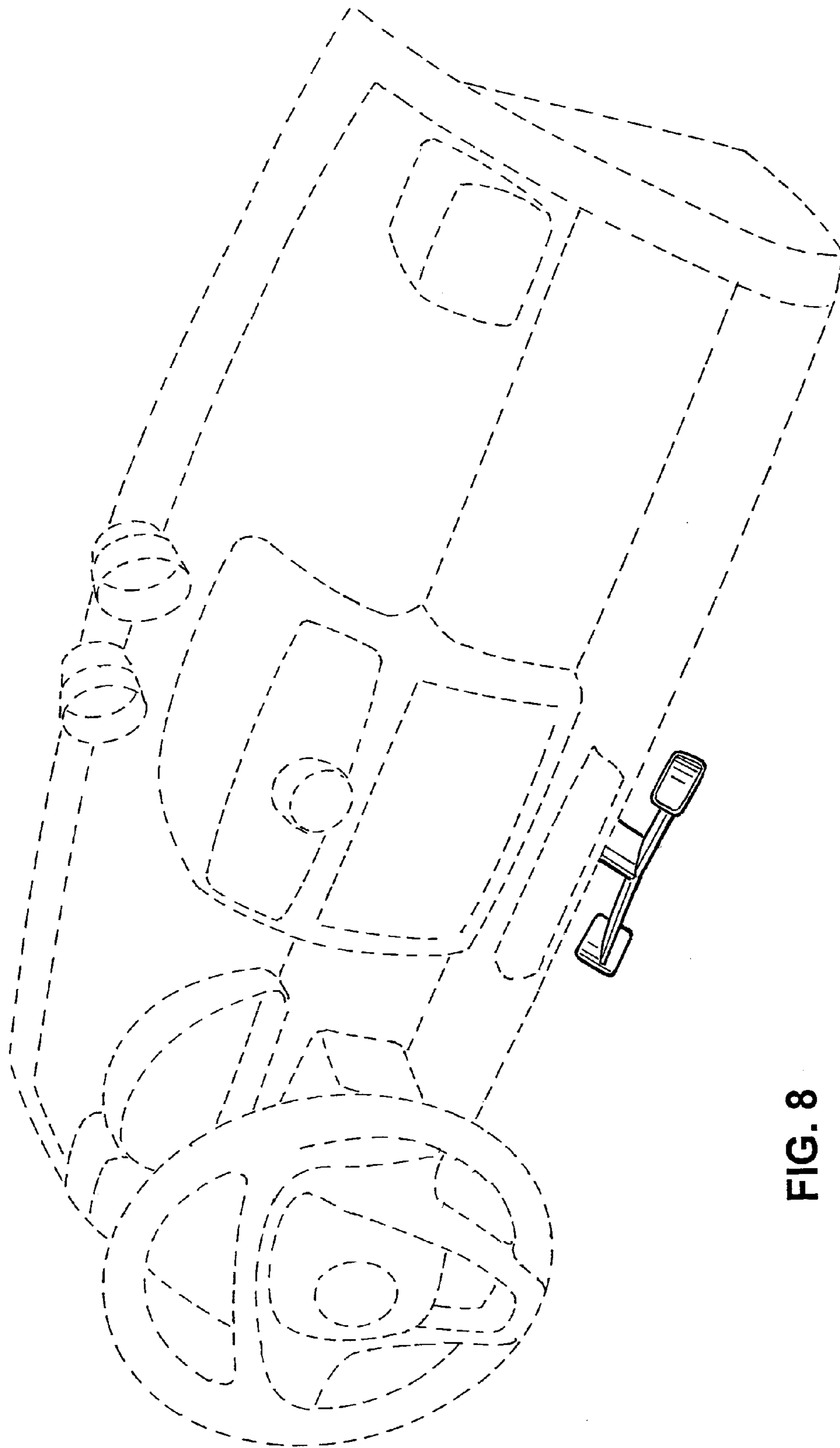


FIG. 8

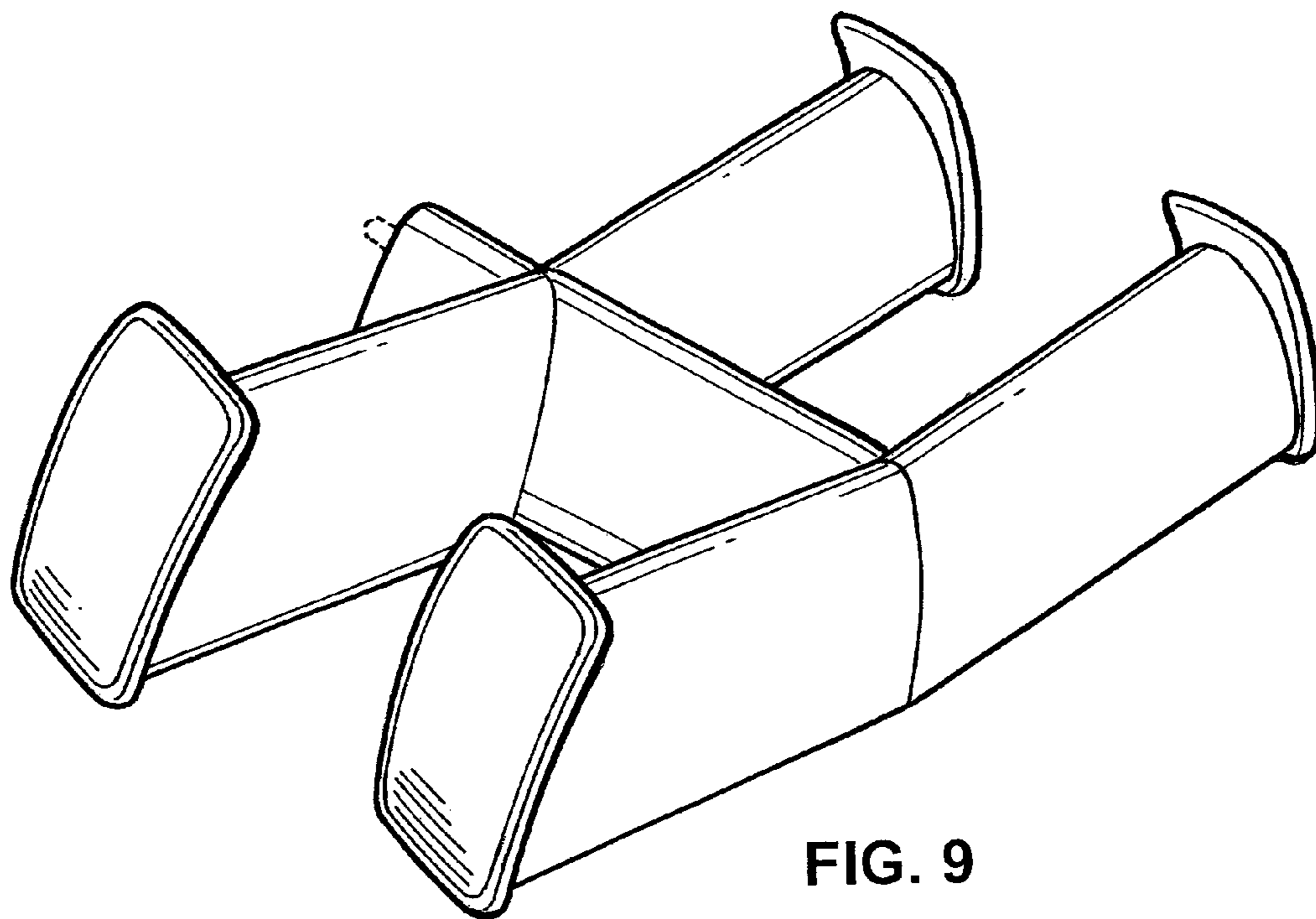


FIG. 9

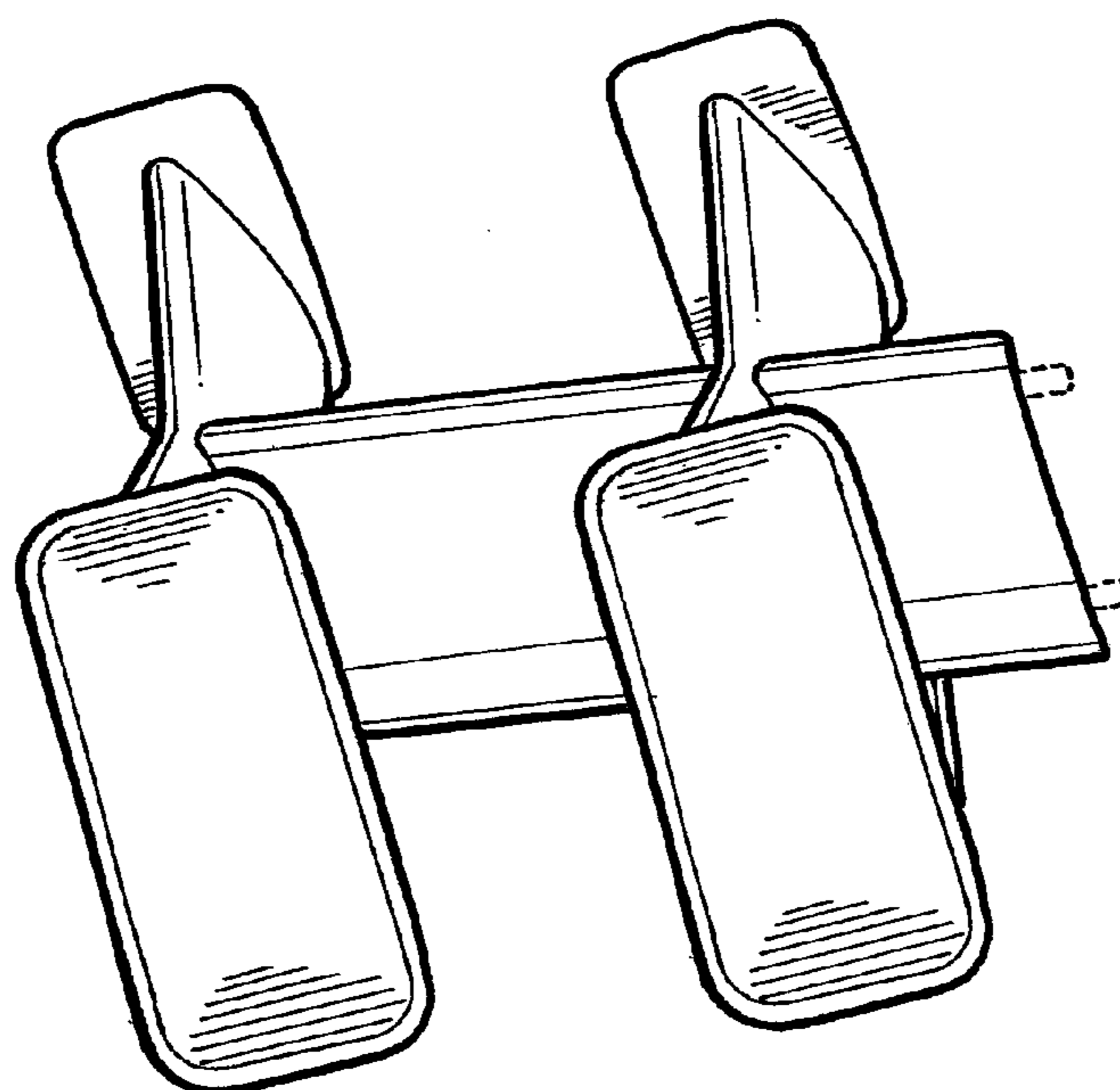


FIG. 10

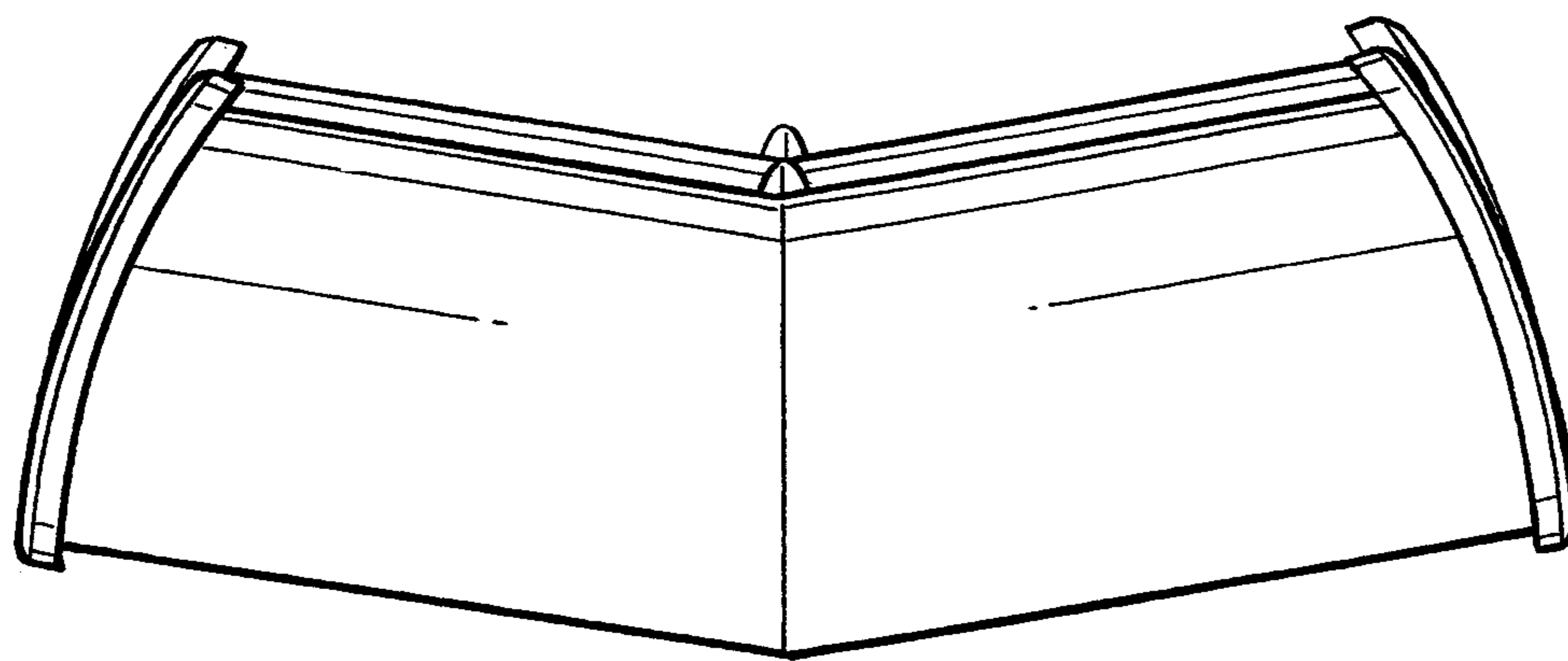


FIG. 11

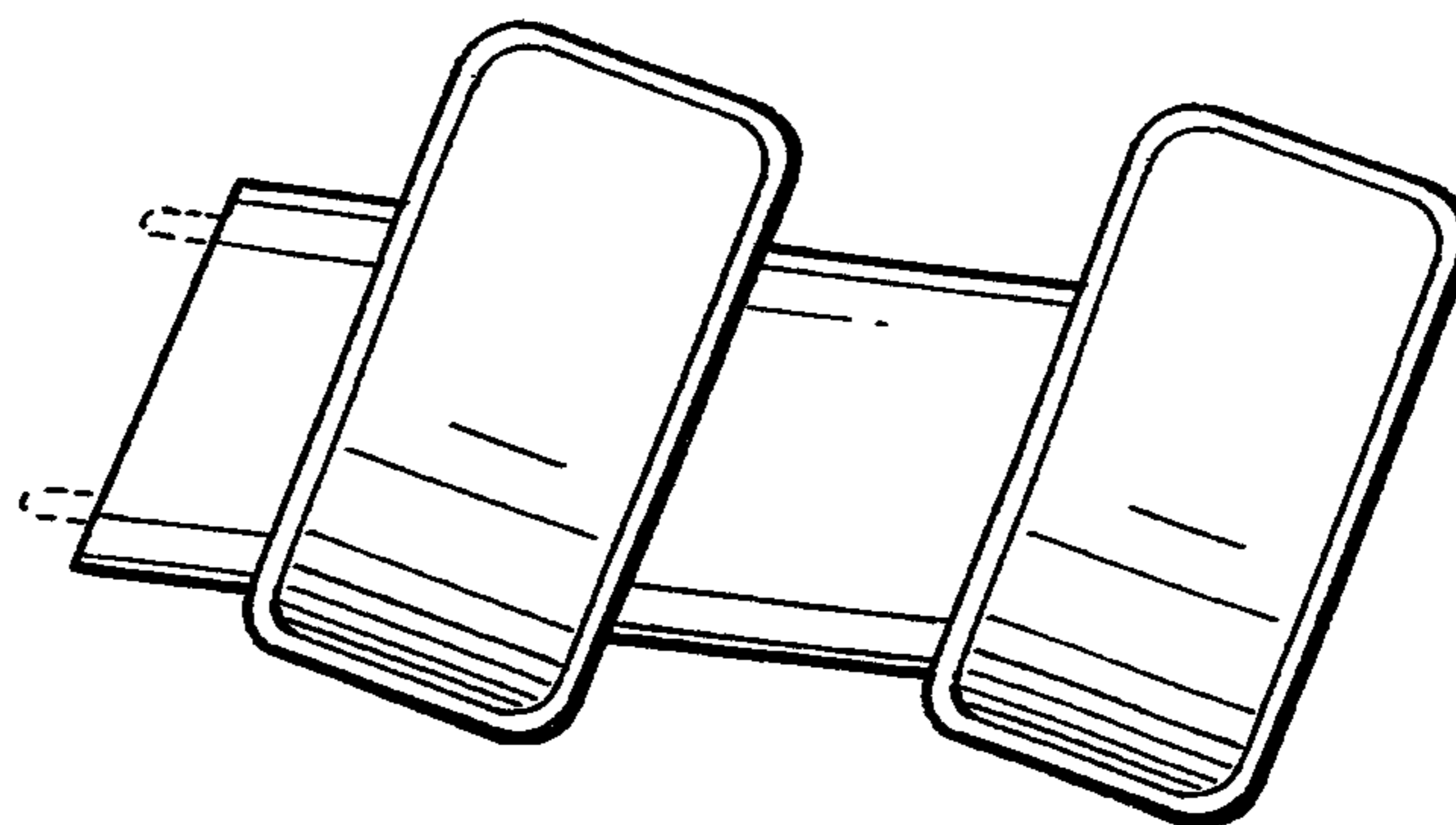


FIG. 12



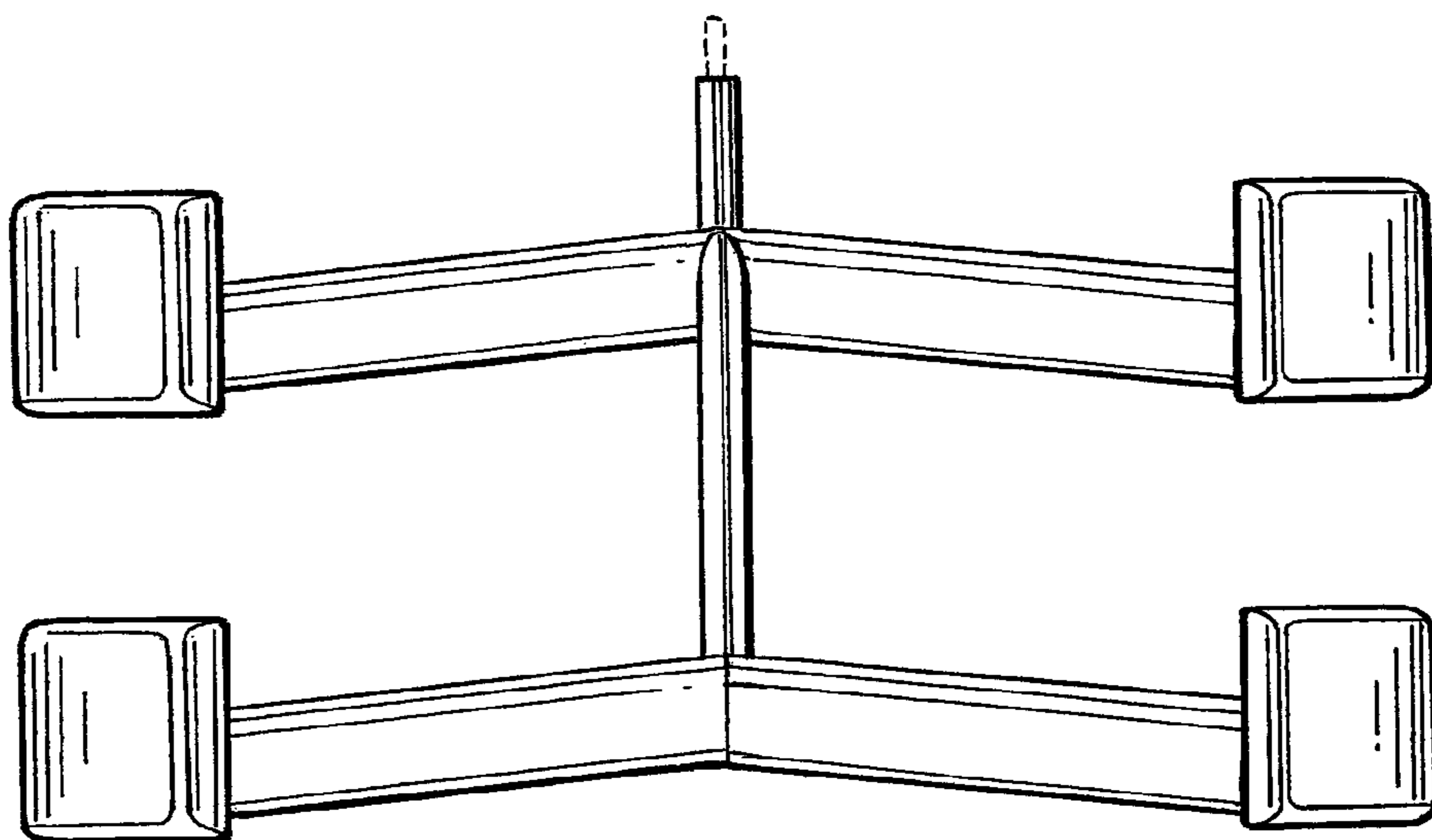


FIG. 13

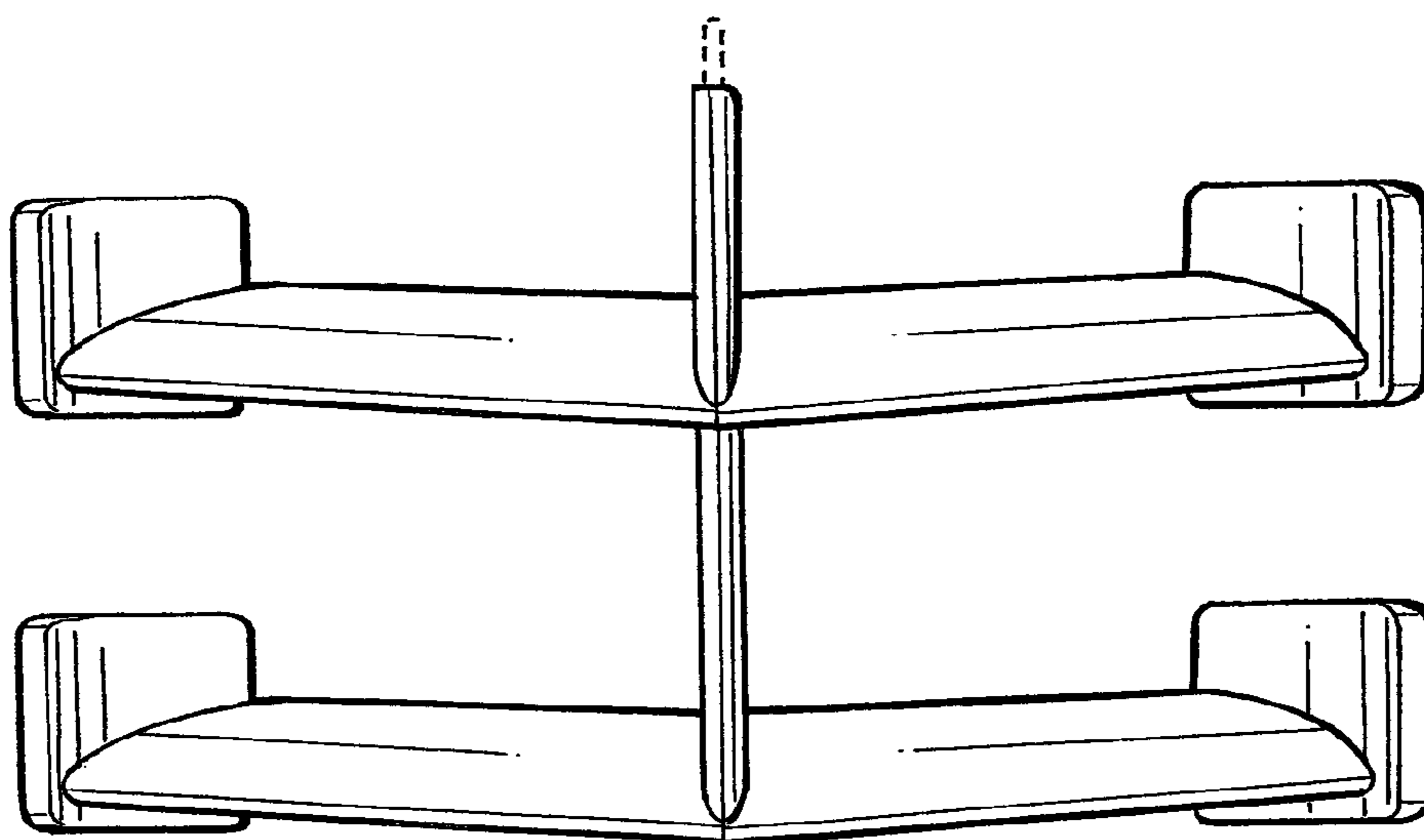


FIG. 14

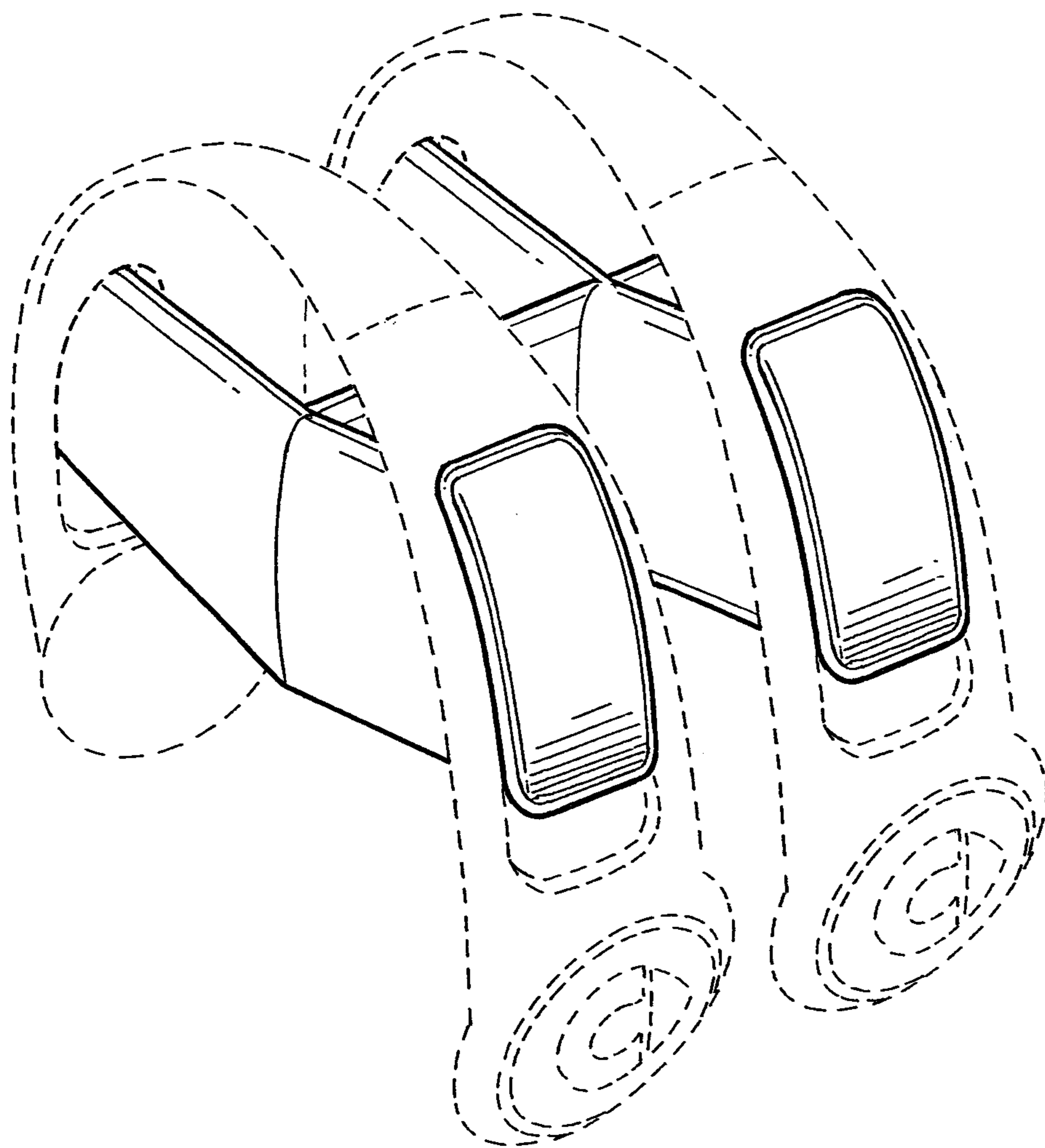


FIG. 15

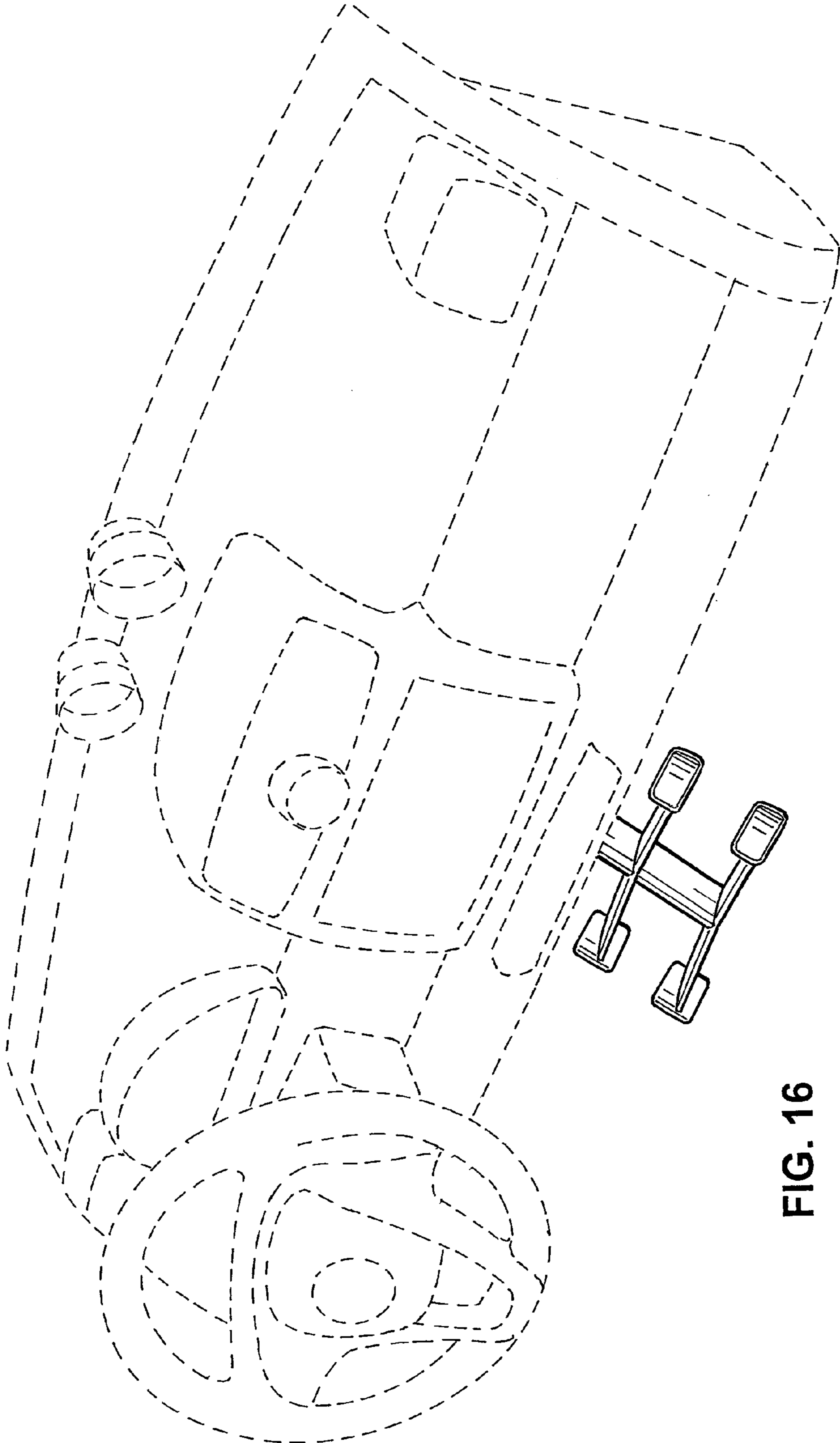


FIG. 16