



US00D689425S

(12) **United States Design Patent**
Olson

(10) **Patent No.:** **US D689,425 S**

(45) **Date of Patent:** **** Sep. 10, 2013**

(54) **TAILGATE GAP COVER**

(76) Inventor: **Kurt E. Olson**, Tacoma, WA (US)

(**) Term: **14 Years**

(21) Appl. No.: **29/430,555**

(22) Filed: **Aug. 27, 2012**

Related U.S. Application Data

(62) Division of application No. 13/448,184, filed on Apr. 16, 2012, now abandoned, which is a division of application No. 12/571,719, filed on Oct. 1, 2009, now abandoned.

(51) **LOC (9) Cl.** **12-16**

(52) **U.S. Cl.**
USPC **D12/400**; D12/196

(58) **Field of Classification Search**
USPC D12/400, 126, 190; 296/3, 50, 136.06,
296/136.12, 91, 180.1, 184
See application file for complete search history.

(56) **References Cited**

U.S. PATENT DOCUMENTS

2,996,751	A	8/1961	Nelson et al.
3,270,474	A	9/1966	Driggers
3,272,684	A	9/1966	Sheldon et al.
3,473,278	A	10/1969	Gossen
3,508,369	A	4/1970	Tennison
3,604,169	A	9/1971	Smith
3,667,177	A	6/1972	Biela
4,067,155	A	1/1978	Ruff et al.
4,729,443	A	3/1988	Iadarola
4,736,563	A	4/1988	Bilhorn
4,893,449	A	1/1990	Kemper
4,913,576	A	4/1990	Grant, Jr.
5,170,854	A	12/1992	Miller et al.
5,188,415	A	2/1993	Wagner
D374,854	S	10/1996	Little et al.
5,657,598	A	8/1997	Wilbs et al.

5,664,822	A	9/1997	Rosenfield
5,678,383	A	10/1997	Danielewicz
5,904,391	A	5/1999	Liljenquest et al.
6,219,982	B1	4/2001	Eyring
6,230,385	B1	5/2001	Nelson
6,345,480	B1	2/2002	Kemper et al.
6,540,278	B2	4/2003	Presle
6,588,165	B1	7/2003	Wright
6,647,680	B2	11/2003	Daly et al.
D488,115	S	4/2004	Trunk et al.
6,745,534	B2	6/2004	Kornfalt
6,860,074	B2	3/2005	Stanchfield
D511,731	S *	11/2005	Lariviere et al. D12/196
6,991,400	B1	1/2006	Negueloua

(Continued)

OTHER PUBLICATIONS

Cargo Gear, <http://www.cargogear.com/infolib.aspx?lookup=MPROCKBLOCK&image=RollBjpg>, Rock Block Truck Bed Tailgate Gap Seal 2009.

Primary Examiner — Susan M Lee
Assistant Examiner — Linda Brooks
(74) *Attorney, Agent, or Firm* — George A. Leone; Citadel Patent Law

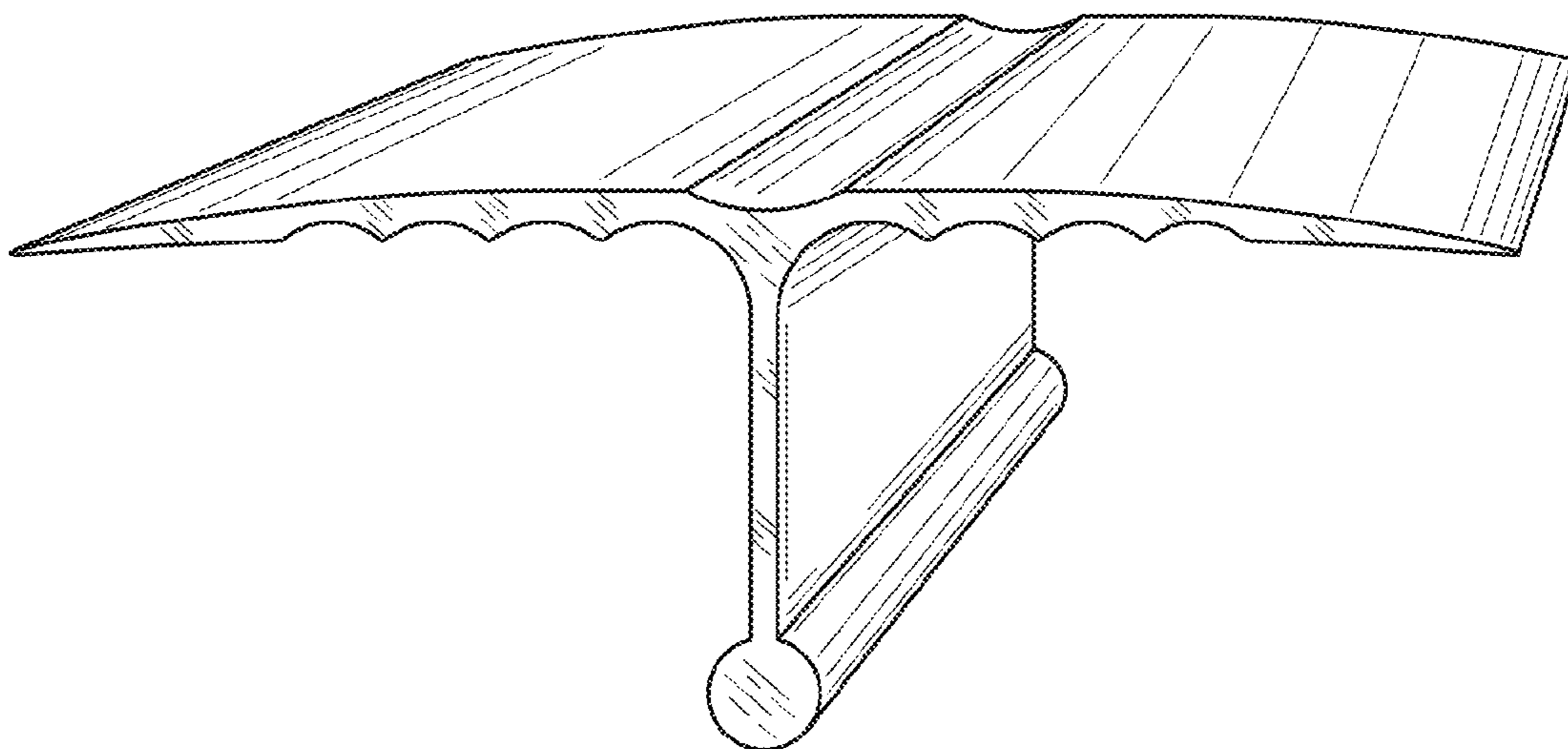
(57) **CLAIM**

The ornamental design for a tailgate gap cover, as shown and described.

DESCRIPTION

FIG. 1 is a perspective view of a tailgate gap cover showing my new design;
FIG. 2 is a front plan view thereof;
FIG. 3 is a back plan view thereof;
FIG. 4 is a right side elevational view thereof;
FIG. 5 is a left side elevational view thereof;
FIG. 6 is a top elevational view thereof; and,
FIG. 7 is a bottom elevational view thereof.

1 Claim, 5 Drawing Sheets



(56)

References Cited

U.S. PATENT DOCUMENTS

7,052,070 B1 5/2006 Simonin
7,150,166 B2 12/2006 Braun et al.
7,207,143 B2 4/2007 Stanchfield
D542,941 S 5/2007 Neuhofer, Jr.
D543,587 S 5/2007 Neuhofer
7,441,379 B2 10/2008 Konstantin
7,497,493 B1 * 3/2009 Thiessen et al. 296/3
7,540,067 B2 6/2009 Colbourne et al.
7,562,504 B2 7/2009 Herbst et al.

D657,725 S * 4/2012 Segura D12/196
8,459,716 B2 * 6/2013 Kaplan 296/57.1
2002/0095895 A1 7/2002 Daly et al.
2003/0051426 A1 3/2003 Kornfalt
2003/0084634 A1 5/2003 Stanchfield
2003/0154678 A1 8/2003 Stanchfield
2009/0071089 A1 3/2009 Neuhofer, Jr.
2009/0120033 A1 5/2009 Thomas
2010/0031596 A1 2/2010 Muehlebach
2011/0080017 A1 * 4/2011 Olson 296/57.1

* cited by examiner

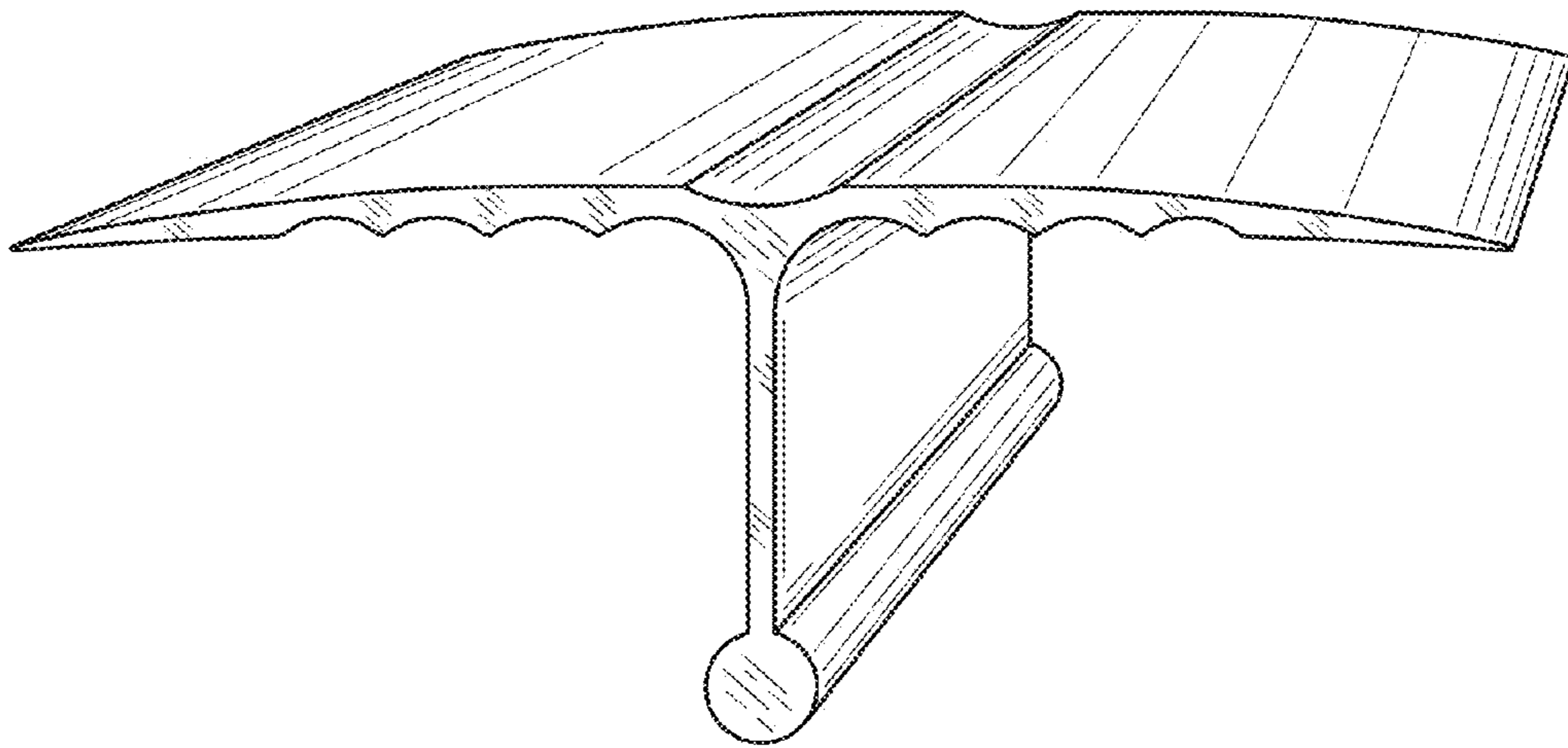


FIG. 1

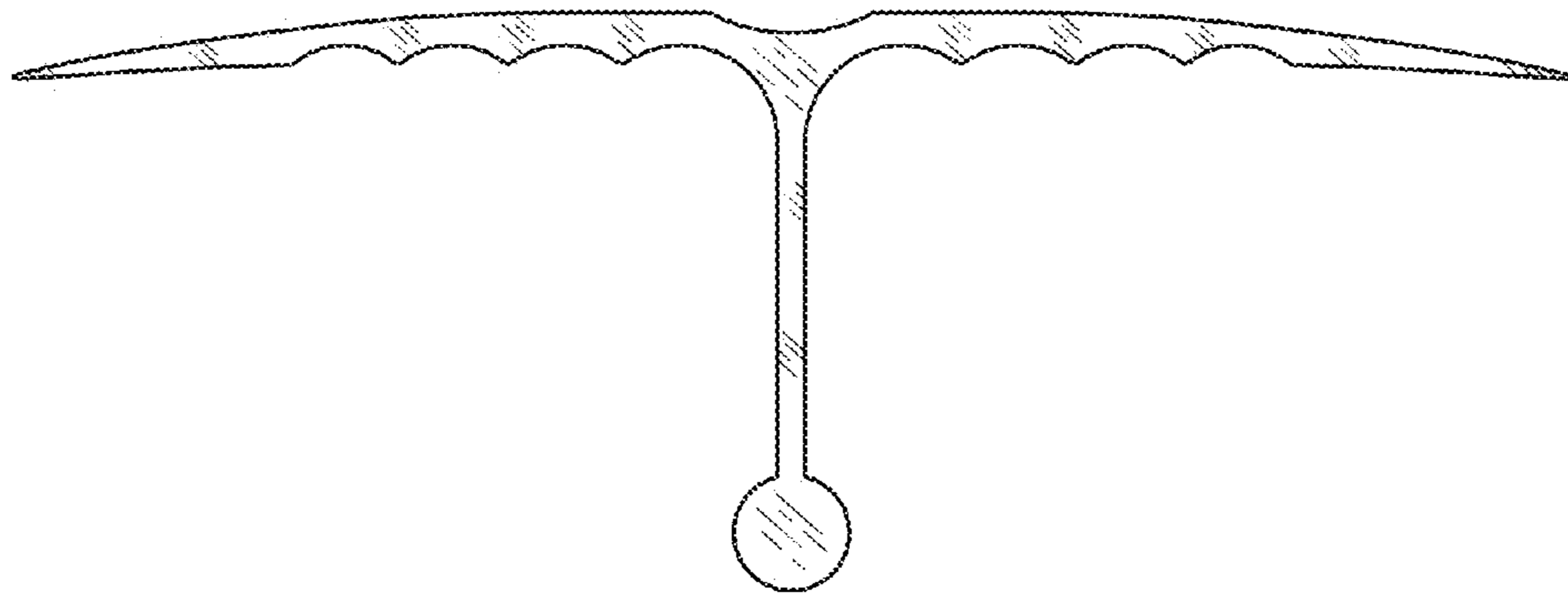


FIG. 2

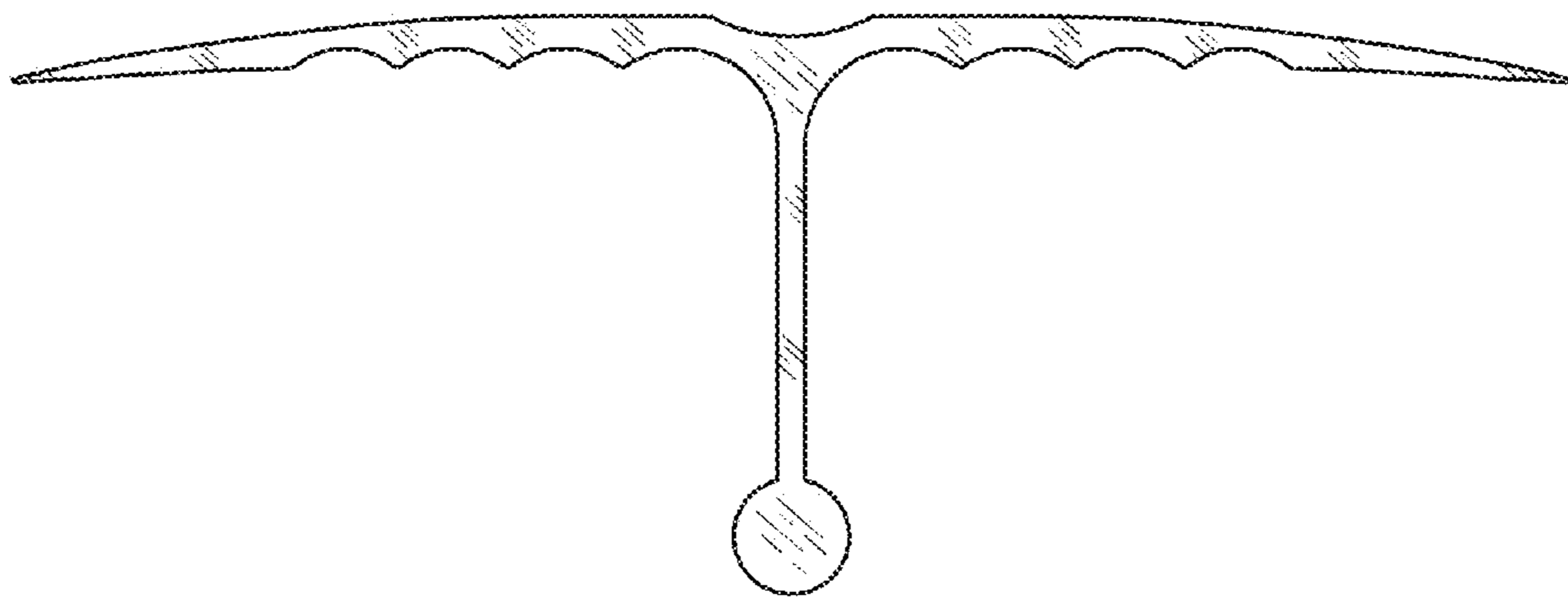


FIG. 3

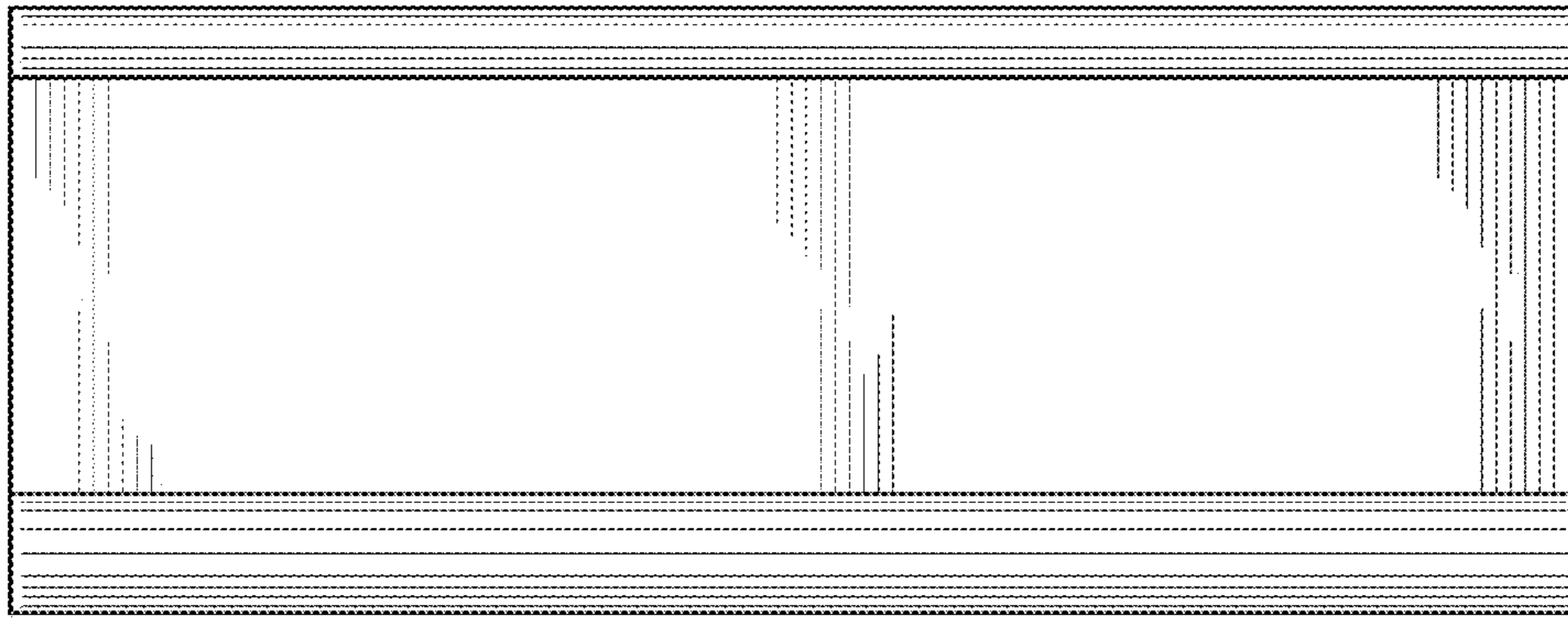


FIG. 4

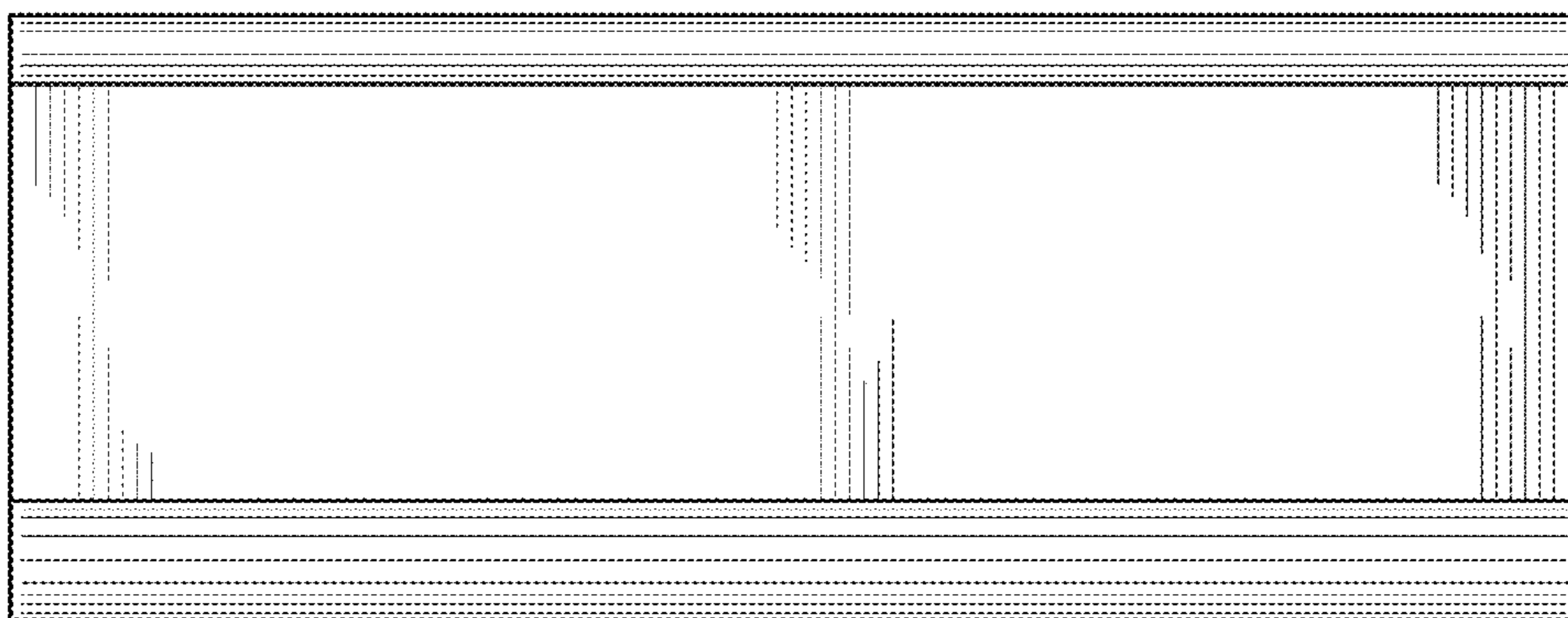


FIG. 5

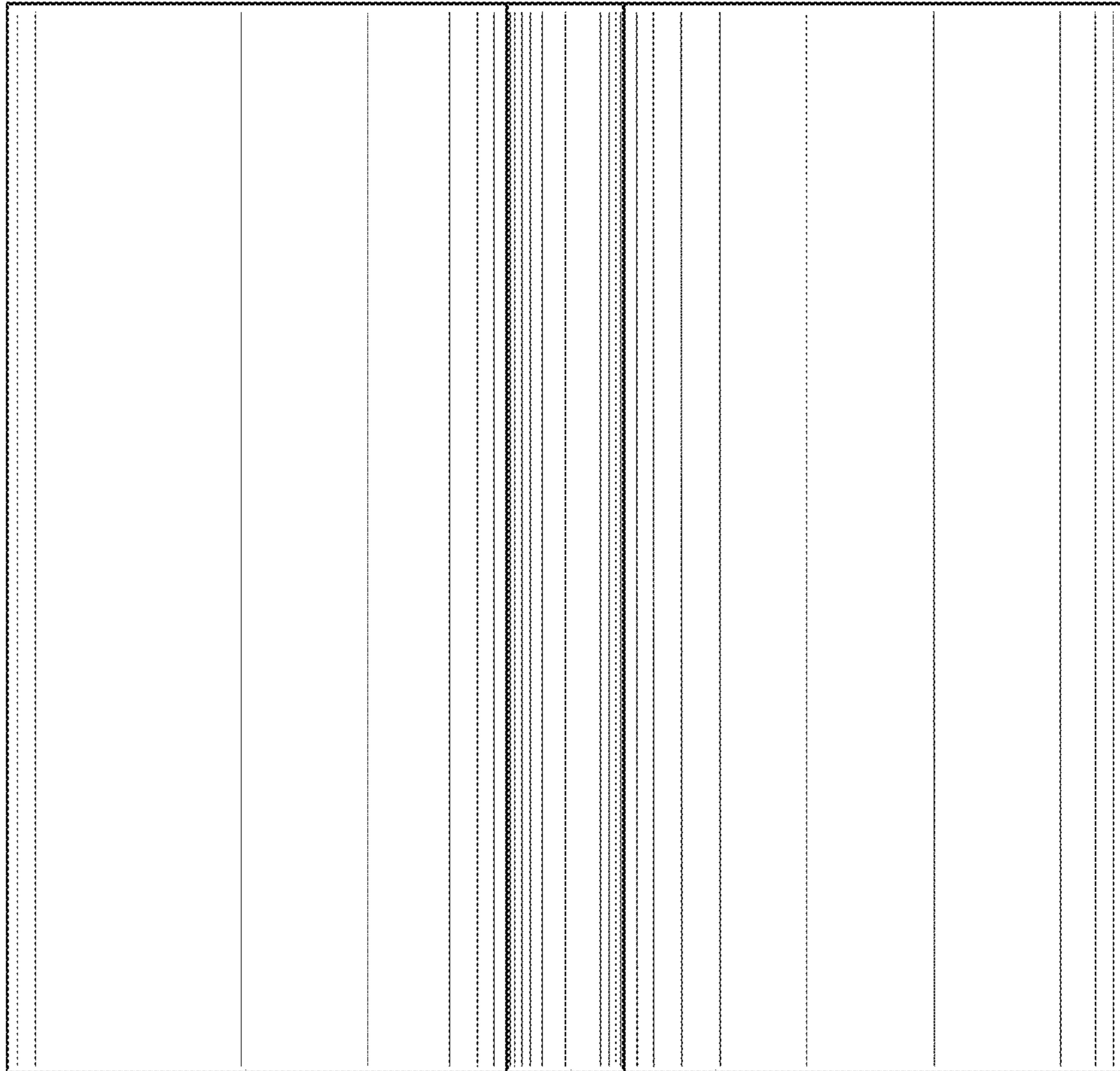


FIG. 6

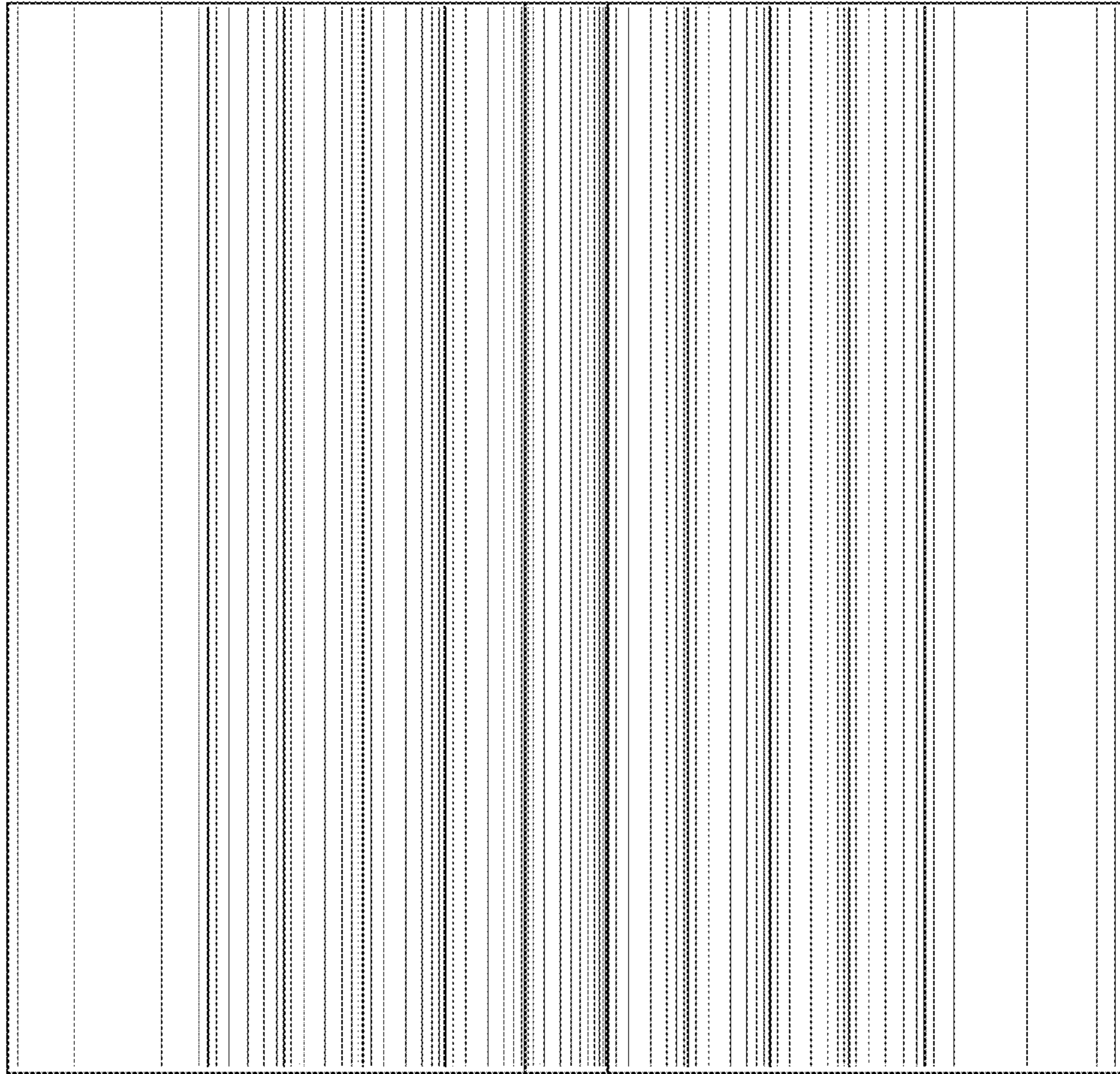


FIG. 7