



US00D689423S

(12) **United States Design Patent**
Park et al.

(10) **Patent No.:** **US D689,423 S**
(45) **Date of Patent:** **** Sep. 10, 2013**

(54) **CONTROL LEVER FOR A MARINE VESSEL**

(71) Applicant: **Brunswick Corporation**, Lake Forest, IL (US)

(72) Inventors: **John I. S. Park**, Fond du Lac, WI (US); **Ryan C. Abellera**, Fond du Lac, WI (US); **Todd D. Dannenberg**, Oshkosh, WI (US); **Piotr Zin**, Newbury Park, CA (US)

(73) Assignee: **Brunswick Corporation**, Lake Forest, IL (US)

(**) Term: **14 Years**

(21) Appl. No.: **29/441,759**

(22) Filed: **Jan. 9, 2013**

(51) **LOC (9) Cl.** **12-06**

(52) **U.S. Cl.**
USPC **D12/317**

(58) **Field of Classification Search**
USPC D12/300, 301, 303-315, 317, 318, D12/174, 178-180; D13/162, 134, 168, D13/169, 173; D10/49; 74/469, 473.19, 74/473.2, 480 B, 491; 440/84-87; 477/98, 477/111, 112, 113

See application file for complete search history.

(56) **References Cited**

U.S. PATENT DOCUMENTS

4,090,598	A	5/1978	Prince
4,119,186	A	10/1978	Choudhury et al.
4,222,474	A	9/1980	Choudhury et al.
4,253,349	A	3/1981	Floeter et al.
4,801,282	A	1/1989	Ogawa et al.
5,062,516	A	11/1991	Prince
5,967,867	A	10/1999	Rinzaki et al.
6,280,269	B1	8/2001	Gaynor

D497,347	S	10/2004	Iekura	
D502,148	S	2/2005	Iekura	
D510,311	S	10/2005	Rick et al.	
D510,556	S	10/2005	Rick et al.	
D510,557	S	10/2005	Rick et al.	
D510,558	S	10/2005	Rick et al.	
6,979,278	B2	12/2005	Rick et al.	
RE39,032	E	3/2006	Gonring et al.	
D524,226	S *	7/2006	Iekura	D12/317
7,172,478	B2	2/2007	Blair et al.	
D546,268	S	7/2007	Ongaro et al.	
D554,080	S *	10/2007	Iekura	D13/168
D554,596	S	11/2007	Iekura	
D573,936	S	7/2008	Jin	
7,452,254	B2	11/2008	Watanabe et al.	
D581,855	S	12/2008	Arol	
D592,124	S	5/2009	Wischnewski	
D592,605	S	5/2009	Iekura	
D593,481	S *	6/2009	Kobelt	D12/317
D623,043	S	9/2010	Riddiford	
8,128,443	B2	3/2012	Gai et al.	

(Continued)

Primary Examiner — Cynthia M Chin

(74) *Attorney, Agent, or Firm* — Eric D. Bublitz

(57) **CLAIM**

The ornamental design for a control lever for a marine vessel, as shown and described.

DESCRIPTION

FIG. 1 is a perspective view from the front showing the new design;

FIG. 2 is a front view thereof;

FIG. 3 is a back view thereof;

FIG. 4 is a side view from the right side thereof;

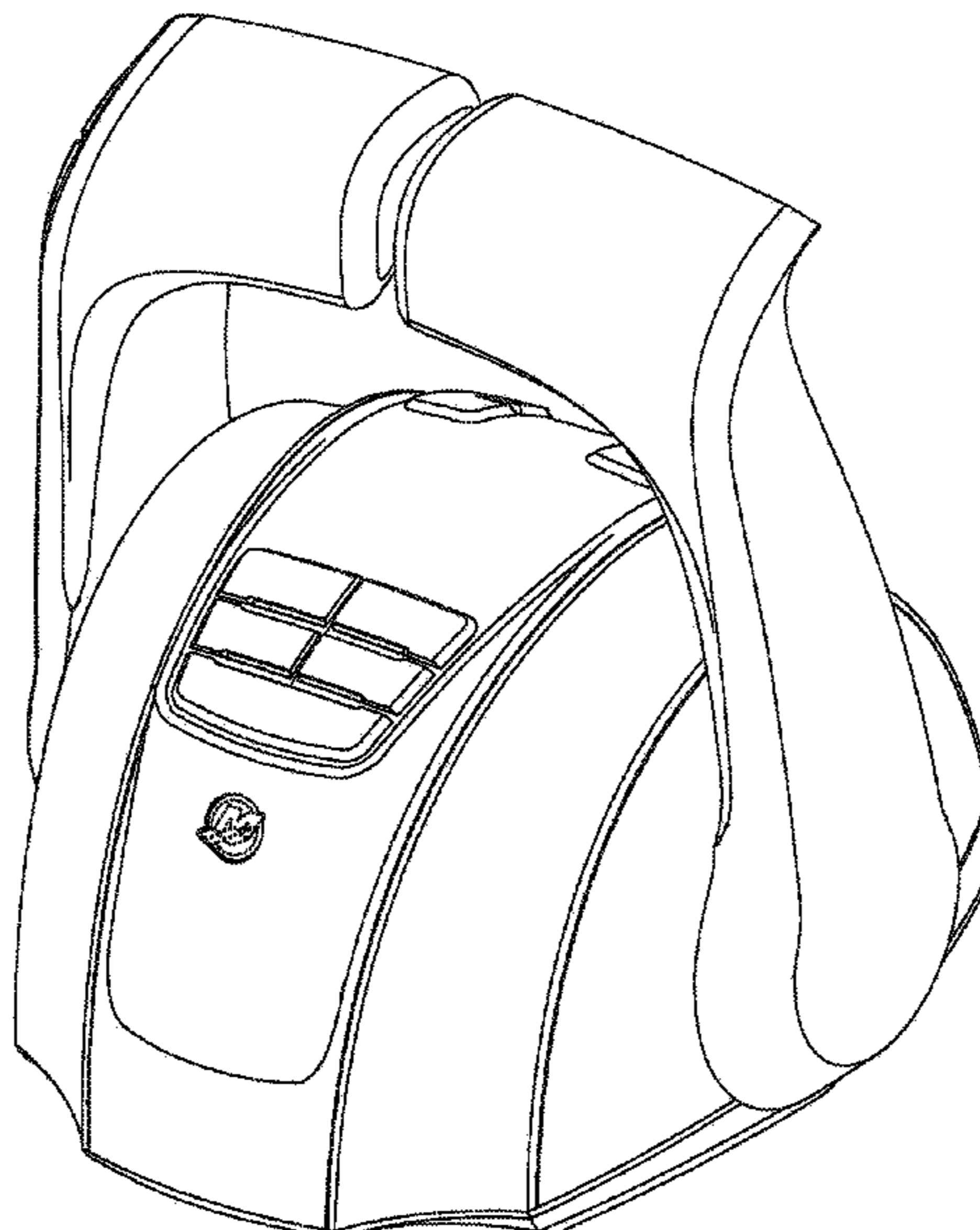
FIG. 5 is a side view from the left side thereof;

FIG. 6 is a top view thereof; and,

FIG. 7 is a bottom view thereof.

In the drawings, broken lines depict environmental subject matter only and form no part of the claimed design.

1 Claim, 7 Drawing Sheets



US D689,423 S

Page 2

(56)

References Cited

U.S. PATENT DOCUMENTS

D663,252 S 7/2012 Bondesson
D663,253 S 7/2012 Bondesson

D663,254 S 7/2012 Bondesson
2005/0245147 A1 11/2005 Takada et al.
2007/0249244 A1* 10/2007 Watanabe et al. 440/84

* cited by examiner

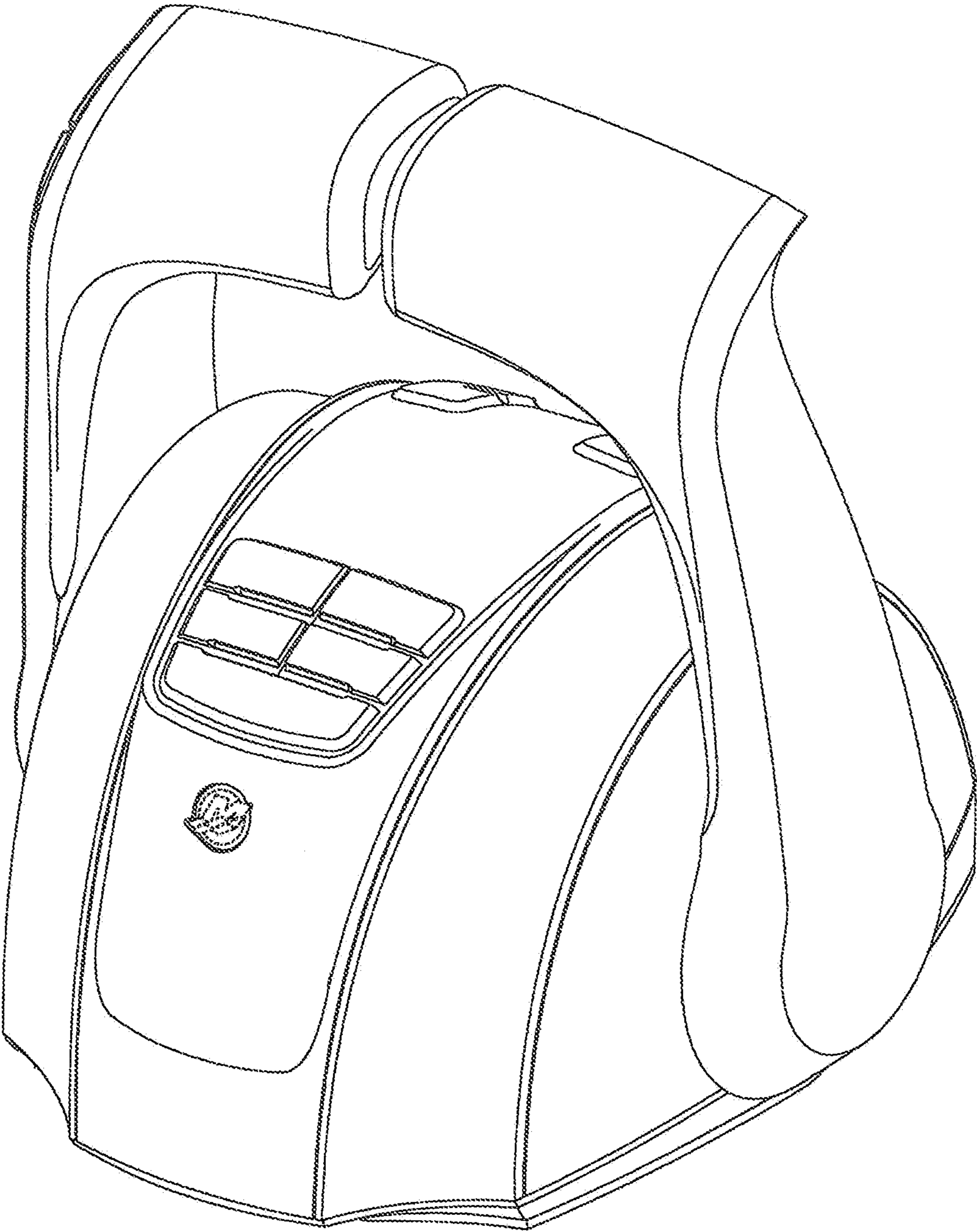


FIG. 1

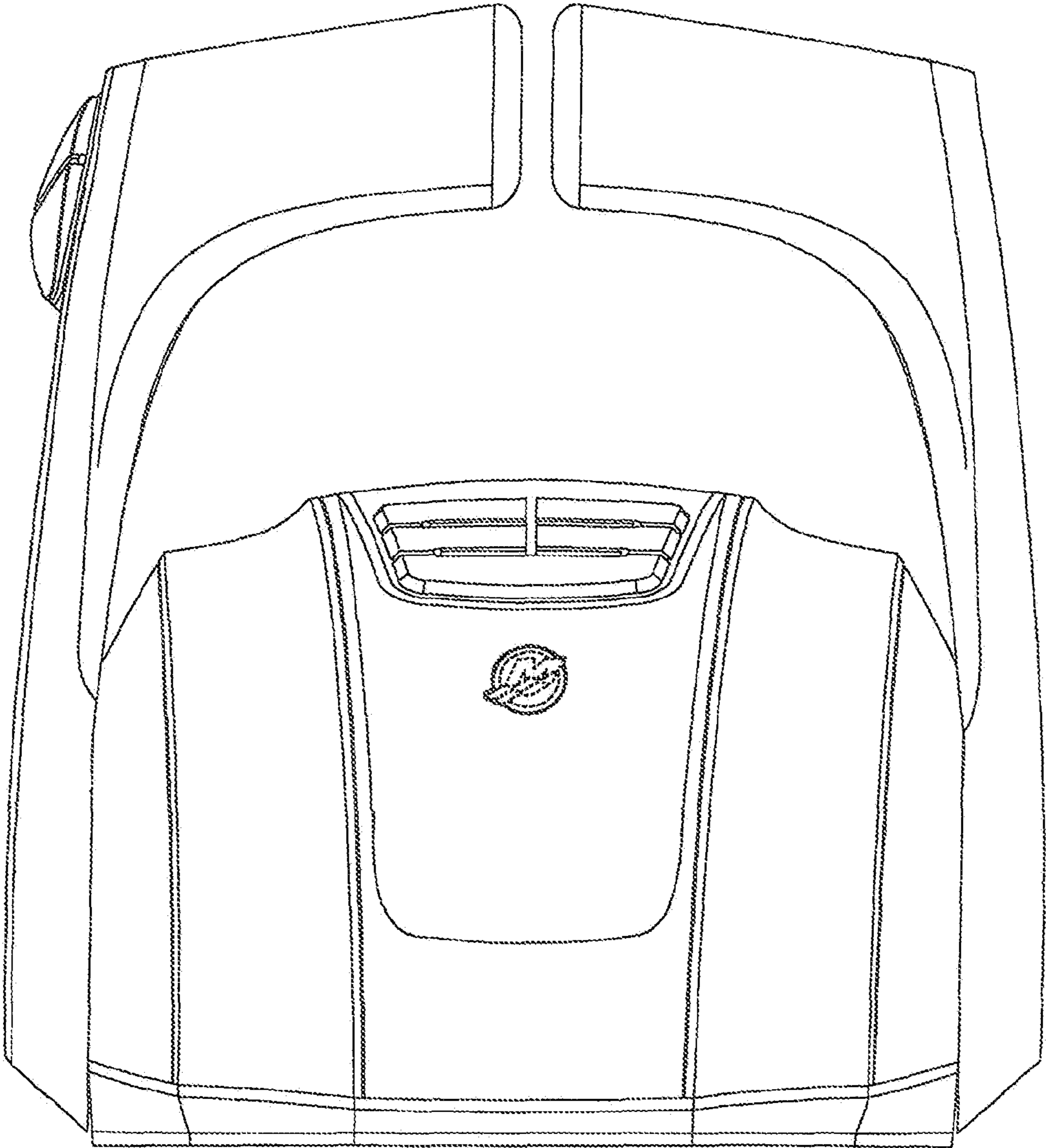


FIG. 2

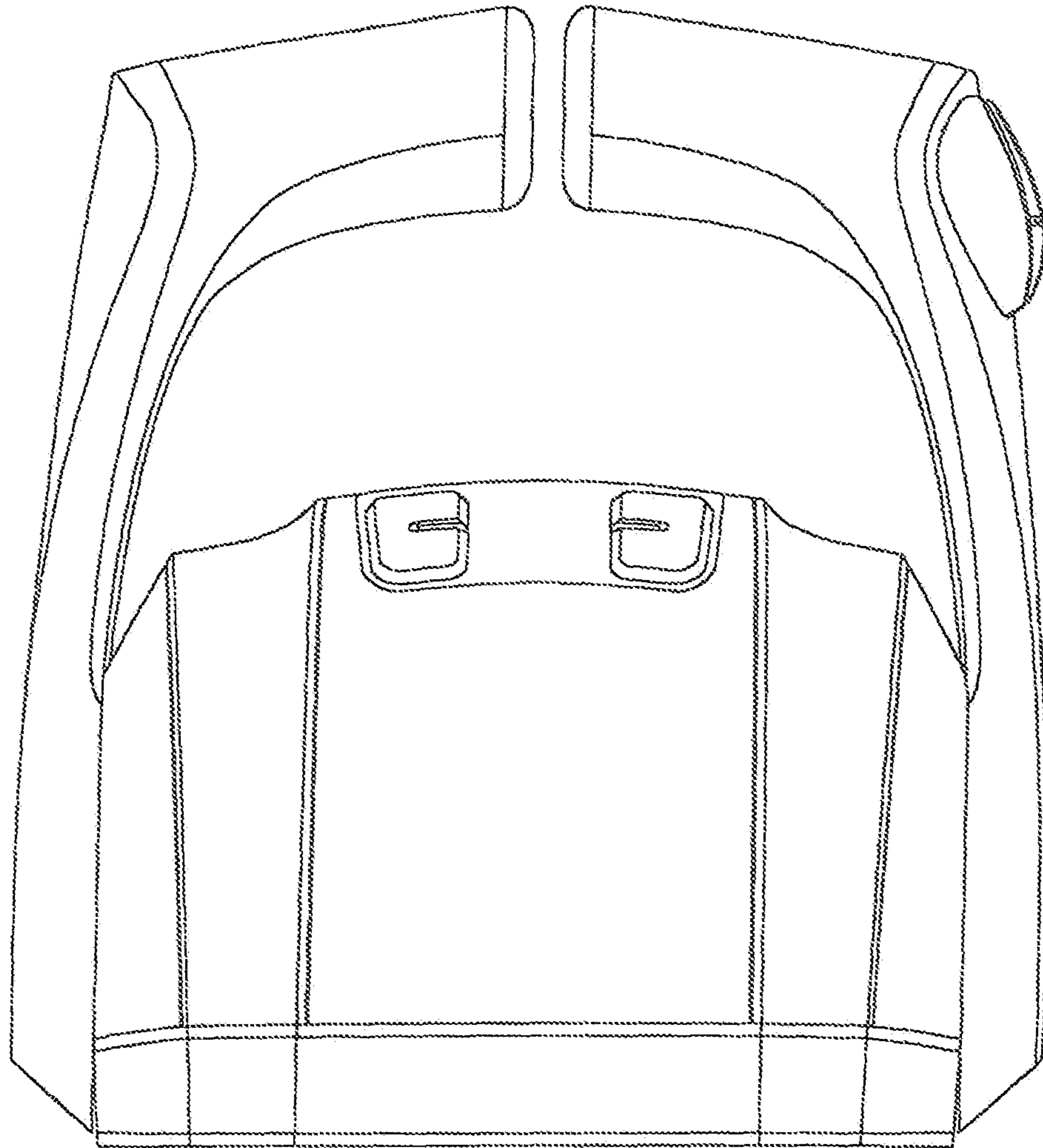


FIG. 3

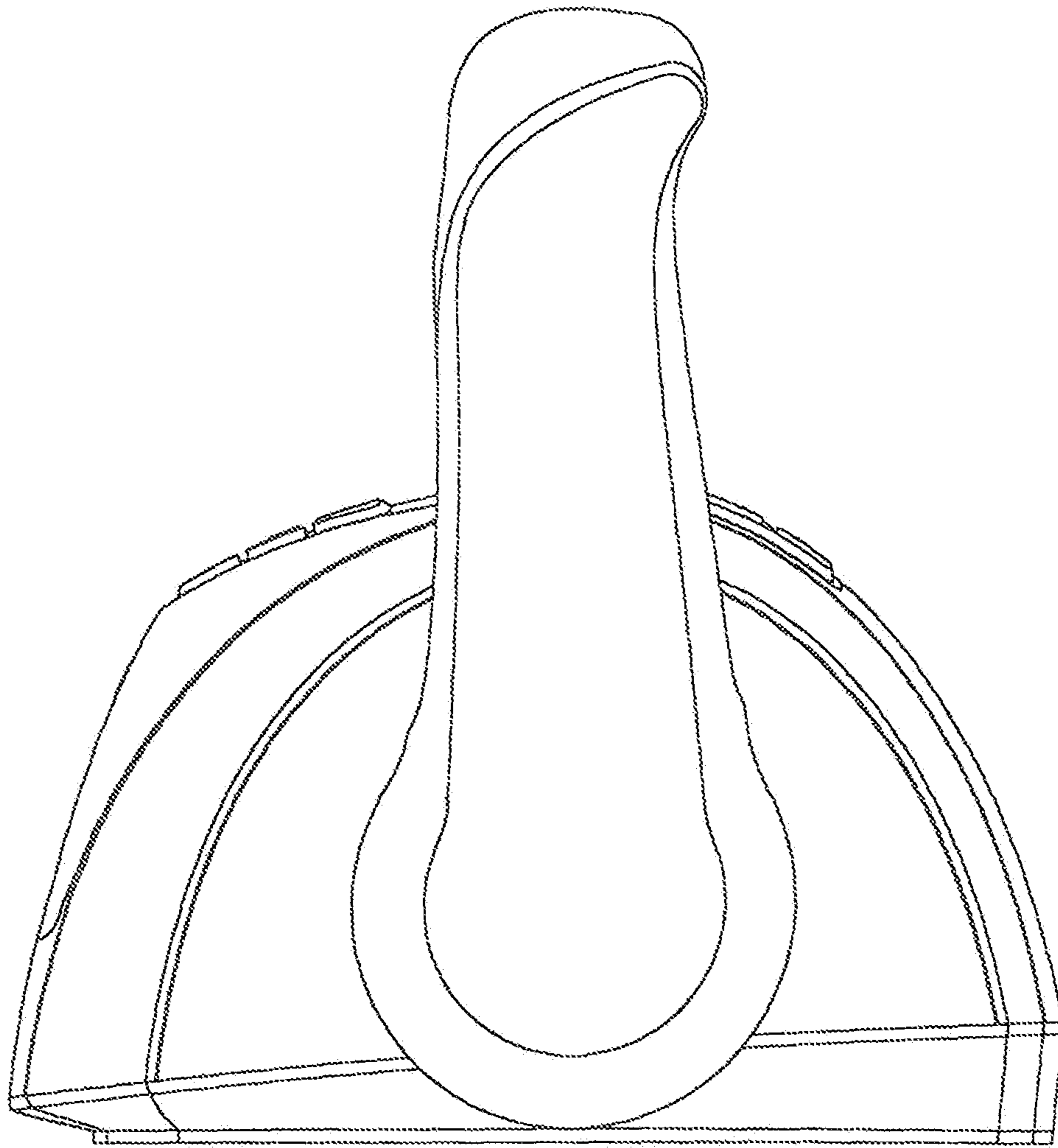


FIG. 4

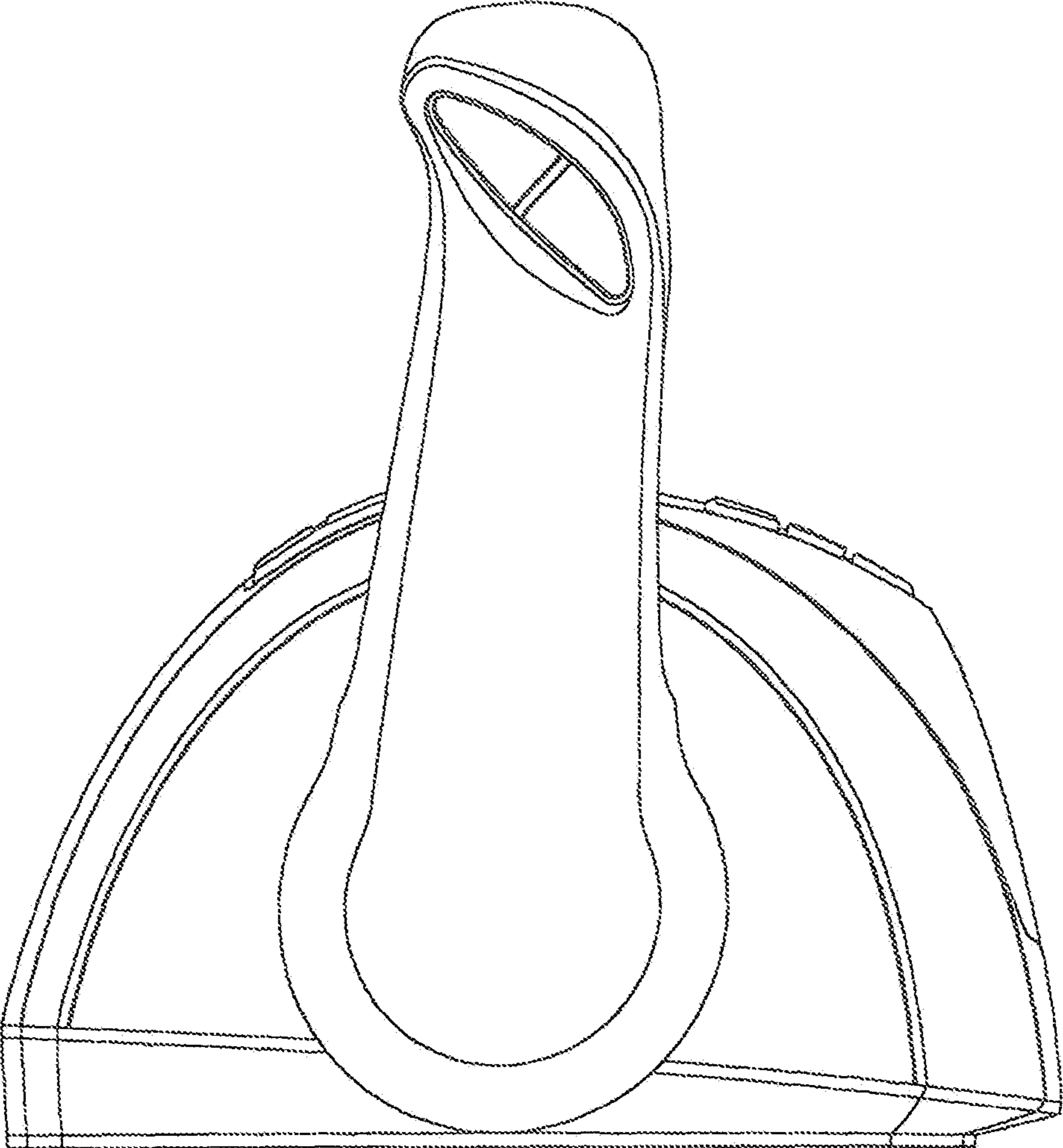


FIG. 5

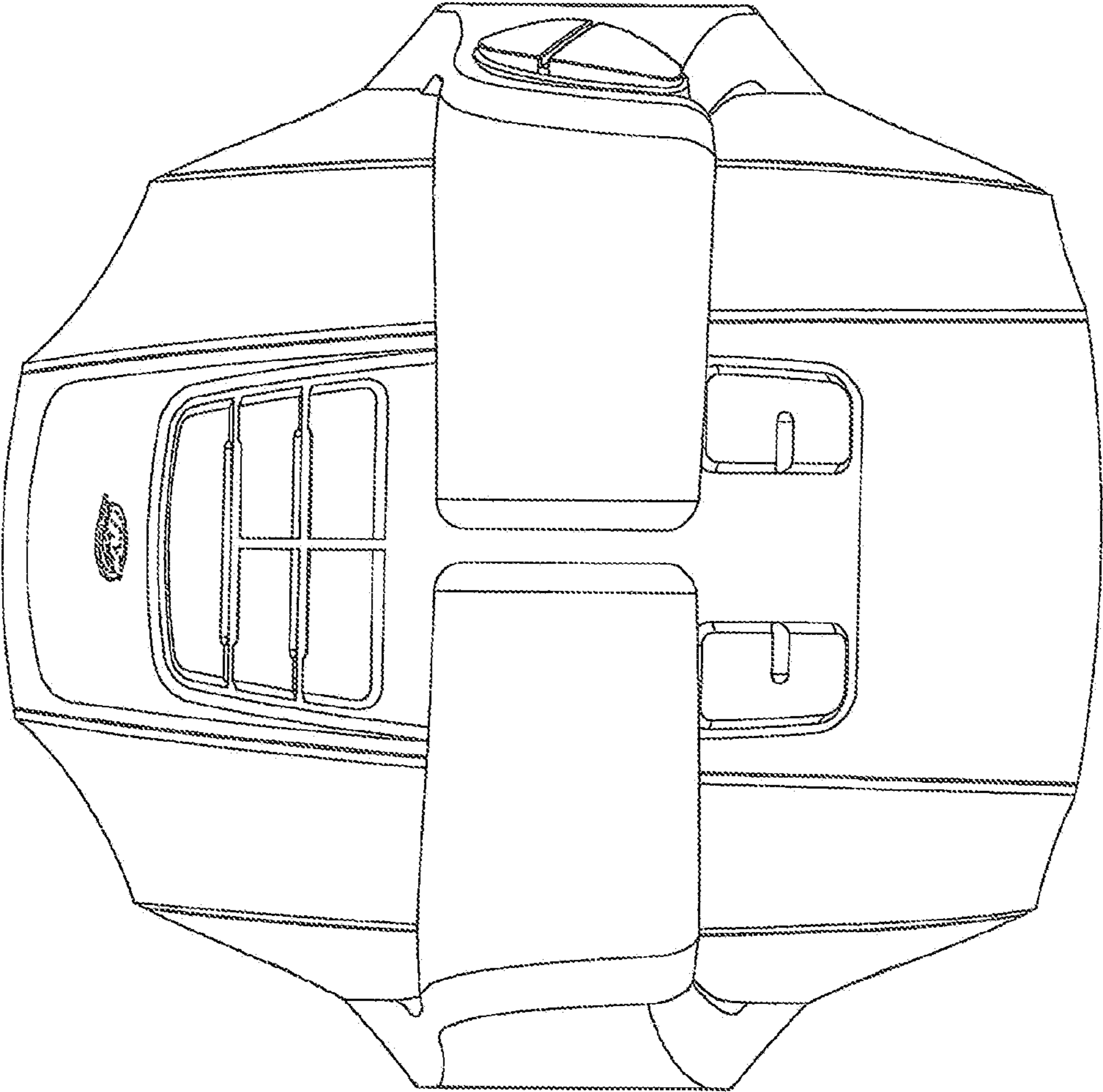


FIG. 6

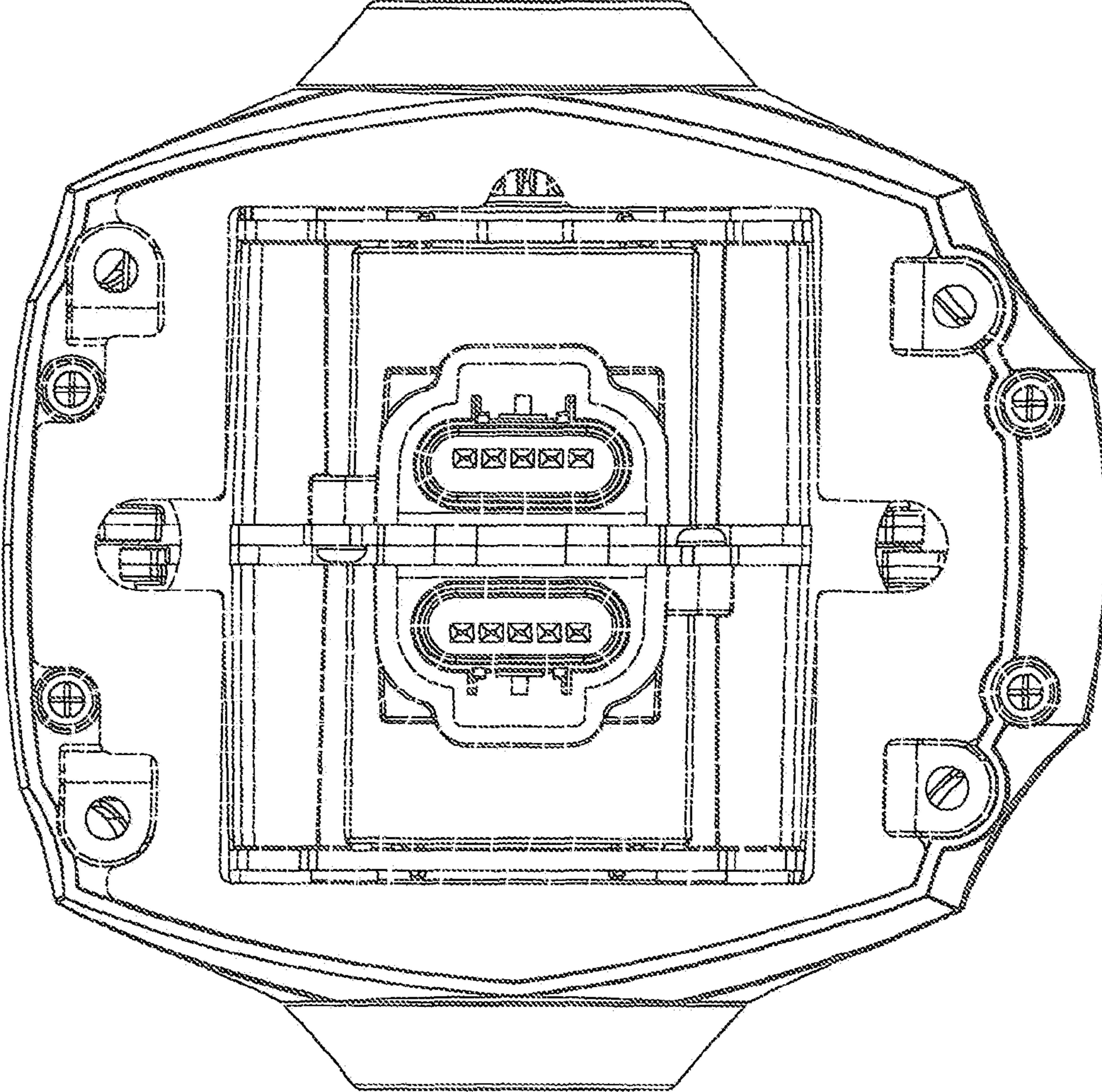


FIG. 7