



US00D689422S

(12) **United States Design Patent**
Zughaib

(10) **Patent No.:** **US D689,422 S**

(45) **Date of Patent:** **** Sep. 10, 2013**

(54) **PERSONAL SURFING BOAT**

(75) Inventor: **Edward E Zughaib**, Bethesda, MD
(US)

(73) Assignee: **Hasake, LLC**, Washington, DC (US)

(**) Term: **14 Years**

(21) Appl. No.: **29/428,844**

(22) Filed: **Aug. 3, 2012**

Related U.S. Application Data

(63) Continuation-in-part of application No. 29/391,091,
filed on May 3, 2011, now Pat. No. Des. 666,963.

(51) **LOC (9) Cl.** **12-06**

(52) **U.S. Cl.**
USPC **D12/307**

(58) **Field of Classification Search**

USPC D12/300, 302, 303, 304, 307, 316,
D12/317; 114/39.14, 55.51, 55.56, 55.58,
114/343, 345, 347, 348, 351-358, 361, 363;
D21/542, 770, 801; 441/65, 74, 79

See application file for complete search history.

(56) **References Cited**

U.S. PATENT DOCUMENTS

4,020,782 A * 5/1977 Gleason 114/55.58
4,194,458 A * 3/1980 Messing 114/39.14
D257,029 S 9/1980 Gramprie
4,274,357 A * 6/1981 Dawson 114/55.51
D270,827 S 10/1983 Dorfman
D289,031 S * 3/1987 Monostory D12/307

(Continued)

OTHER PUBLICATIONS

Hasake—Photograph No. 1, dated Apr. 17, 2011.

(Continued)

Primary Examiner — Cynthia M Chin

(74) *Attorney, Agent, or Firm* — Locke Lord, LLP

(57) **CLAIM**

The ornamental design for a personal surfing boat, as shown
and described.

DESCRIPTION

FIG. 1 is a top front perspective view of the personal surfing
boat;

FIG. 2 is a top view of the personal surfing boat of FIG. 1;

FIG. 3 is a bottom view of the personal surfing boat of FIG. 1;

FIG. 4 is a side elevational view of the personal surfing boat

of FIG. 1, the side elevational view of the personal surfing

boat taken from the same side of FIG. 1;

FIG. 5 is a cross-sectional view of the personal surfing boat of

FIG. 1, the cross-sectional view of the personal surfing boat

taken along the section line labeled “5-5” of FIG. 3;

FIG. 6 is a cross-sectional view of the personal surfing boat of

FIG. 1, the cross-sectional view of the personal surfing boat

taken along the section line labeled “6-6” of FIG. 3;

FIG. 7 is a cross-sectional view of the personal surfing boat of

FIG. 1, the cross-sectional view of the personal surfing boat

taken along the section line labeled “7-7” of FIG. 3;

FIG. 8 is a cross-sectional view of the personal surfing boat of

FIG. 1, the cross-sectional view of the personal surfing boat

taken along the section line labeled “8-8” of FIG. 3;

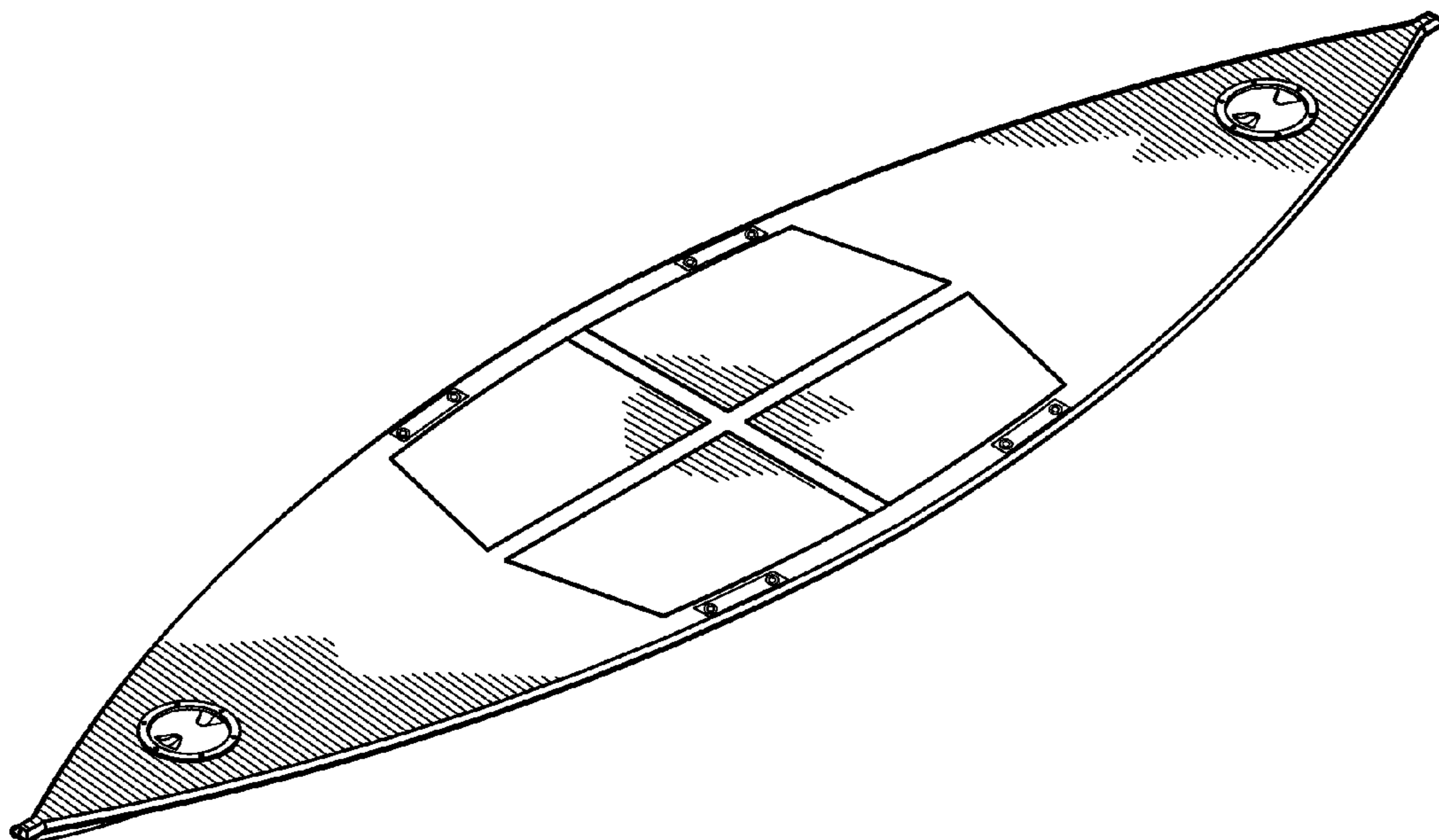
FIG. 9 is a front elevational view of the personal surfing boat

of FIG. 1; and,

FIG. 10 is a rear elevational view of the personal surfing boat

of FIG. 1.

1 Claim, 5 Drawing Sheets



(56)

References Cited

U.S. PATENT DOCUMENTS

4,730,568 A * 3/1988 Campbell 114/39.14
D307,258 S * 4/1990 Monostory D12/307
5,127,862 A 7/1992 Pia
D330,928 S * 11/1992 Sameshima D21/770
D334,552 S * 4/1993 Montgomery D12/307
D362,835 S 10/1995 Dinsdale et al.
D377,473 S 1/1997 Niemier
D419,128 S 1/2000 Lockwood
D425,852 S 5/2000 Lockwood
6,192,817 B1 * 2/2001 Dec et al. 114/55.56
6,409,560 B1 * 6/2002 Austin 441/74
D468,253 S 1/2003 Haller
6,568,340 B2 * 5/2003 Dec et al. 114/55.56
D519,908 S 5/2006 Ward

D521,440 S 5/2006 Mouawad
D533,829 S 12/2006 Jacobs et al.
D544,824 S 6/2007 Eckert
D548,667 S 8/2007 Walton et al.
D566,030 S 4/2008 Oas
7,393,255 B1 * 7/2008 Wilhelmi 441/65
D579,850 S 11/2008 Prestridge
D634,255 S 3/2011 Farber
D666,963 S * 9/2012 Zughuib D12/302

OTHER PUBLICATIONS

Hasake—Photograph No. 2, dated Apr. 17, 2011.
Hasake—Photograph No. 3, dated Apr. 17, 2011.
Hasake—Photograph No. 4, dated Apr. 17, 2011.
Hasake—Photograph No. 5, dated Apr. 17, 2011.

* cited by examiner

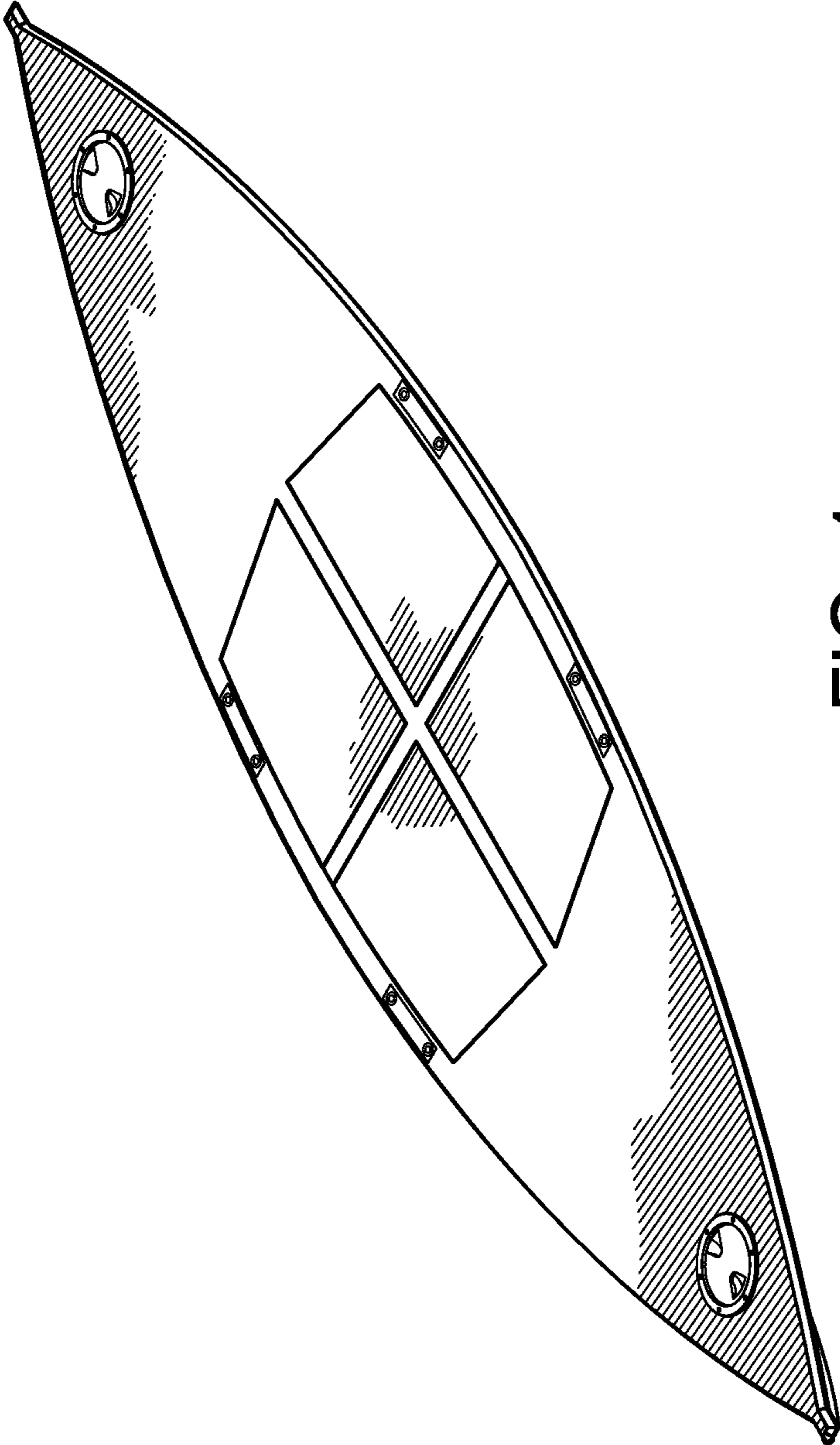


FIG. 1



FIG. 2

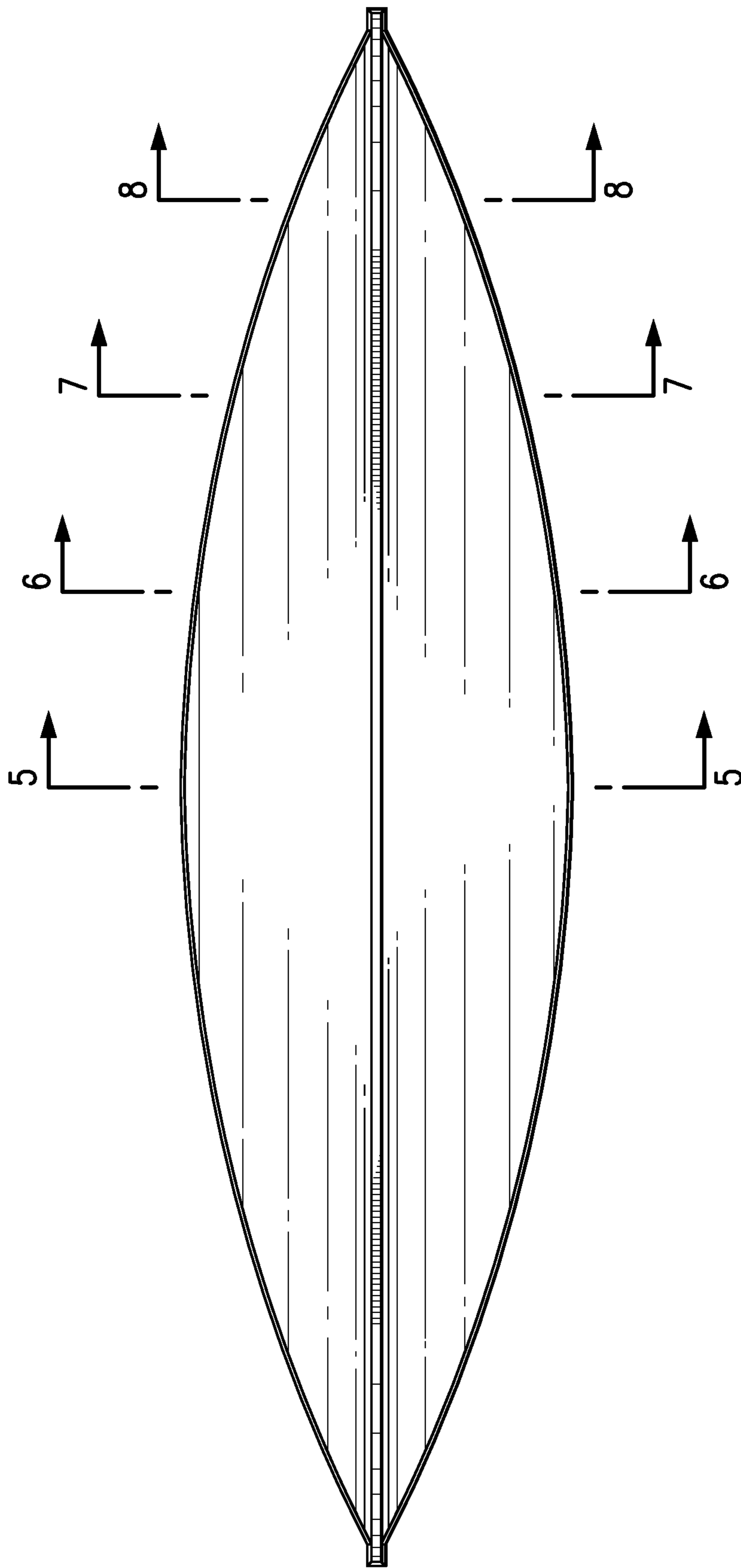


FIG. 3



FIG. 4

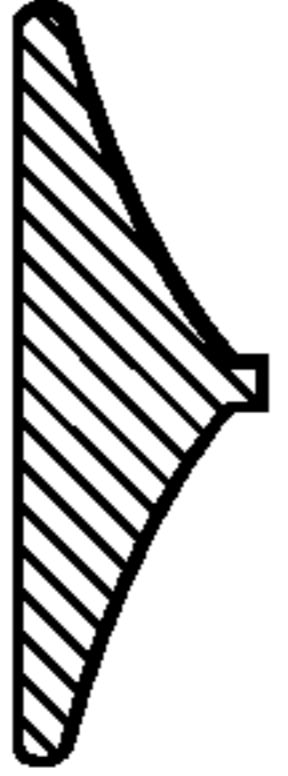


FIG. 5



FIG. 6

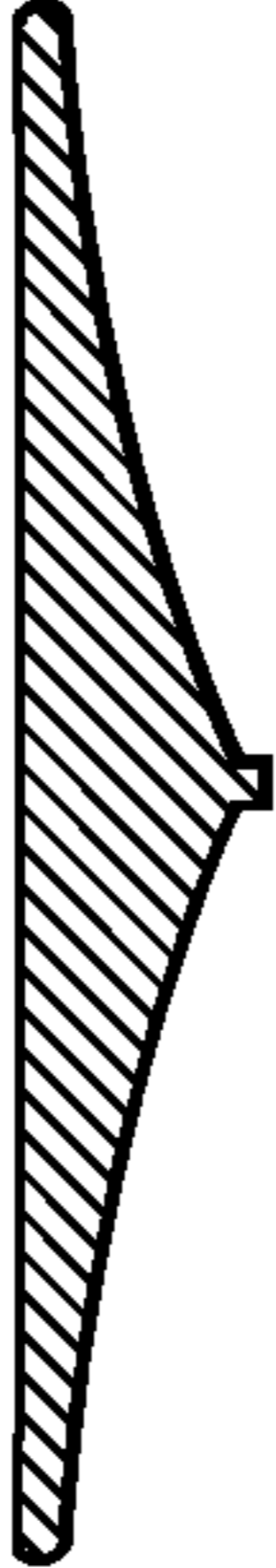


FIG. 7



FIG. 8



FIG. 9



FIG. 10