



US00D689421S

(12) **United States Design Patent**
Wachter

(10) **Patent No.:** **US D689,421 S**

(45) **Date of Patent:** **** Sep. 10, 2013**

(54) **WHEEL OR WHEEL COVER**

(71) Applicant: **Daimler AG**, Stuttgart (DE)

(72) Inventor: **Markus Wachter**, Ludwigsburg-Ossweil (DE)

(73) Assignee: **Daimler AG**, Stuttgart (DE)

(**) Term: **14 Years**

(21) Appl. No.: **29/451,793**

(22) Filed: **Apr. 9, 2013**

(30) **Foreign Application Priority Data**

Oct. 10, 2012 (EM) 002116541-0002

(51) **LOC (9) Cl.** **12-16**

(52) **U.S. Cl.**
USPC **D12/211**

(58) **Field of Classification Search**
USPC D12/204-213; 301/37.101, 64.101,
301/65, 64.201

See application file for complete search history.

(56) **References Cited**

U.S. PATENT DOCUMENTS

D402,251	S	*	12/1998	Timm	D12/211
D558,118	S	*	12/2007	Hueller	D12/211
D597,919	S	*	8/2009	Atwell	D12/211
D620,862	S	*	8/2010	Pollmann	D12/209
D645,390	S	*	9/2011	De Bono	D12/209
D649,102	S	*	11/2011	Gallert	D12/211
D649,103	S	*	11/2011	Gallert	D12/211
D659,068	S	*	5/2012	Johnson	D12/211
D663,668	S	*	7/2012	Pollmann	D12/209
D673,099	S	*	12/2012	Ender	D12/211
D675,143	S	*	1/2013	Gebert et al.	D12/209

* cited by examiner

Primary Examiner — Stacia Cadmus

(74) *Attorney, Agent, or Firm* — Crowell & Moring LLP

(57) **CLAIM**

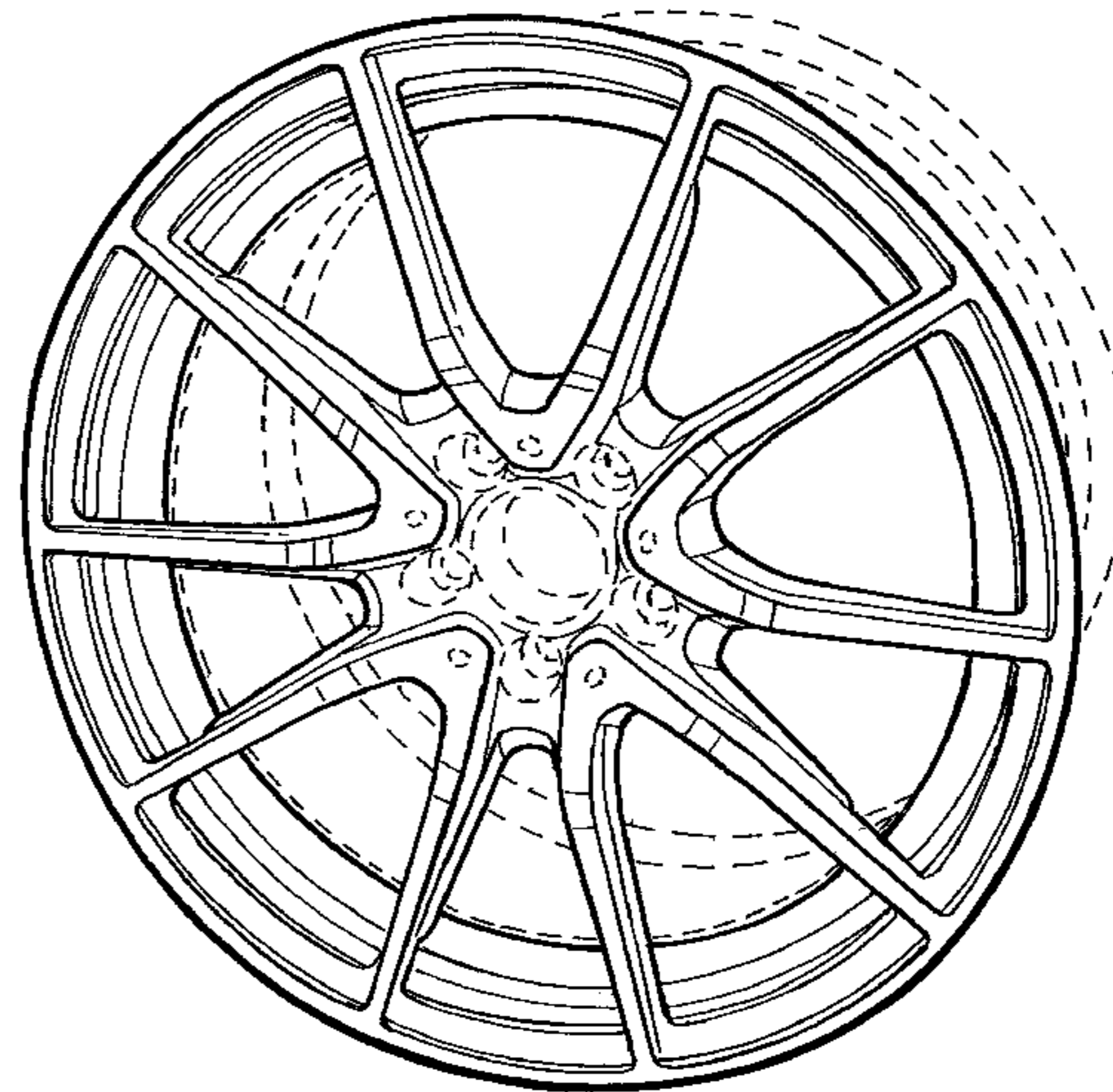
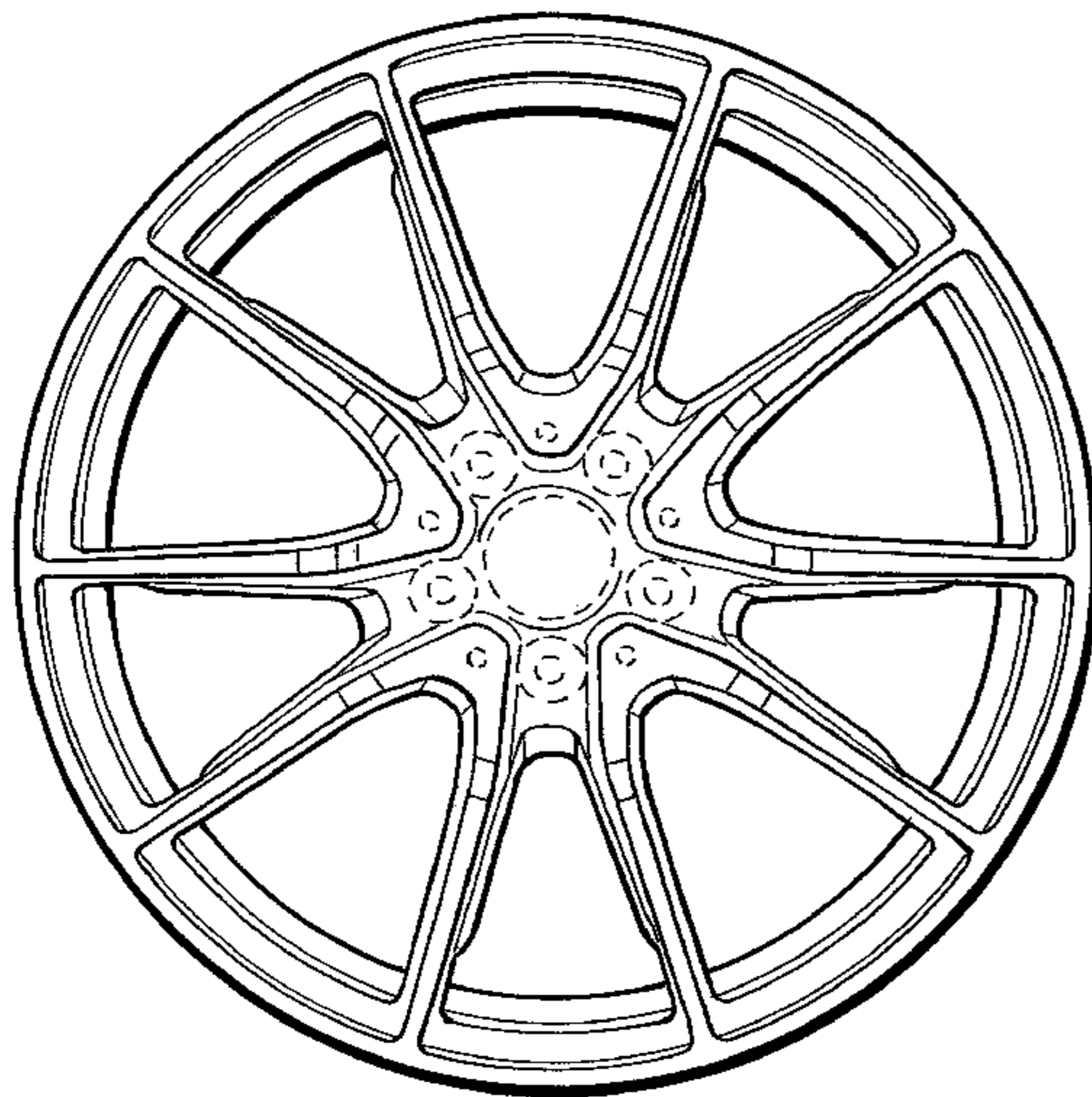
The ornamental design for a wheel or wheel cover, as shown and described.

DESCRIPTION

FIG. 1 is a front view of a wheel or wheel cover according to the design; and,
FIG. 2 is a perspective view thereof.

The broken lines are for illustrative purposes only and form no part of the claimed design.

1 Claim, 1 Drawing Sheet



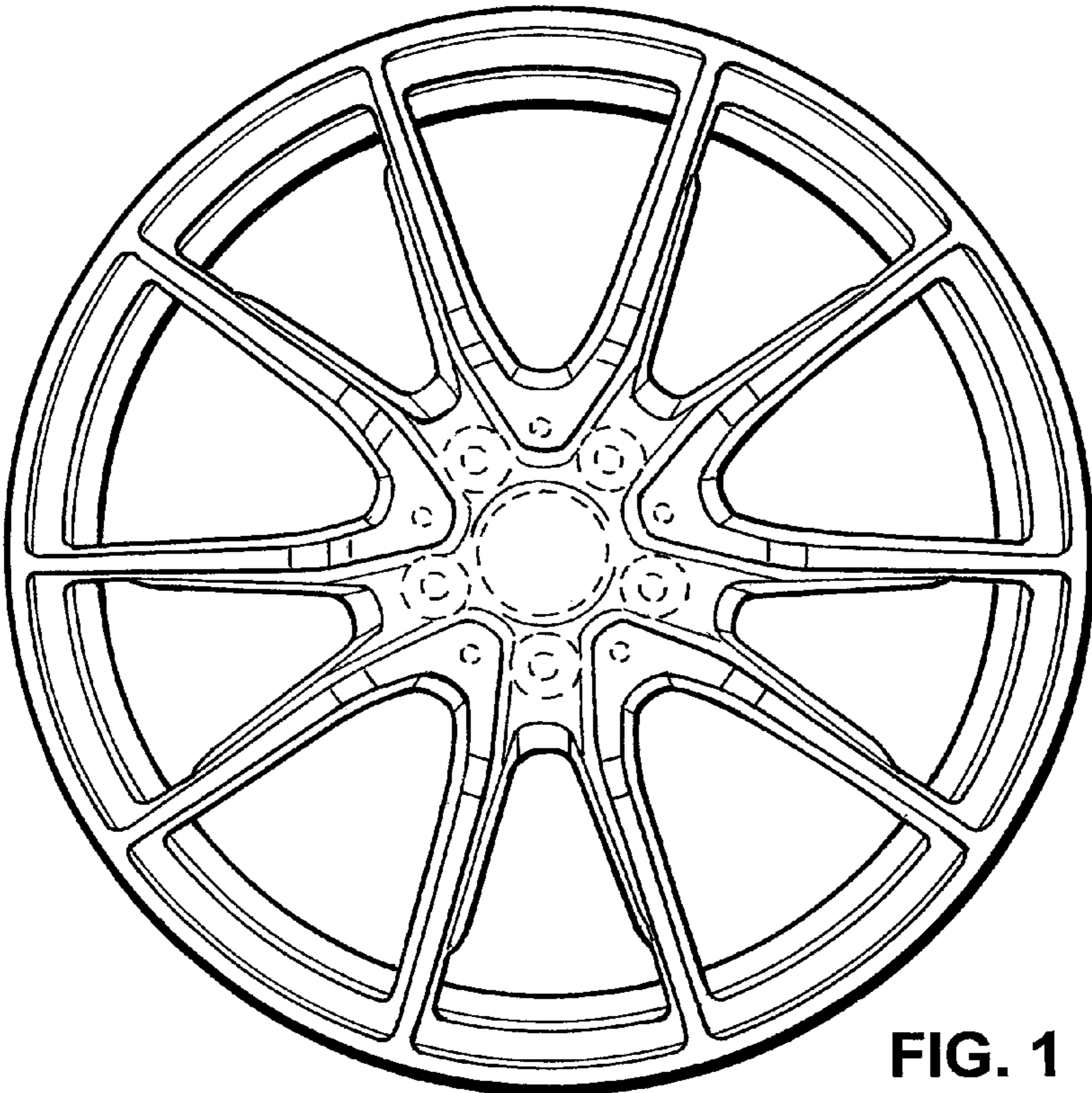


FIG. 1

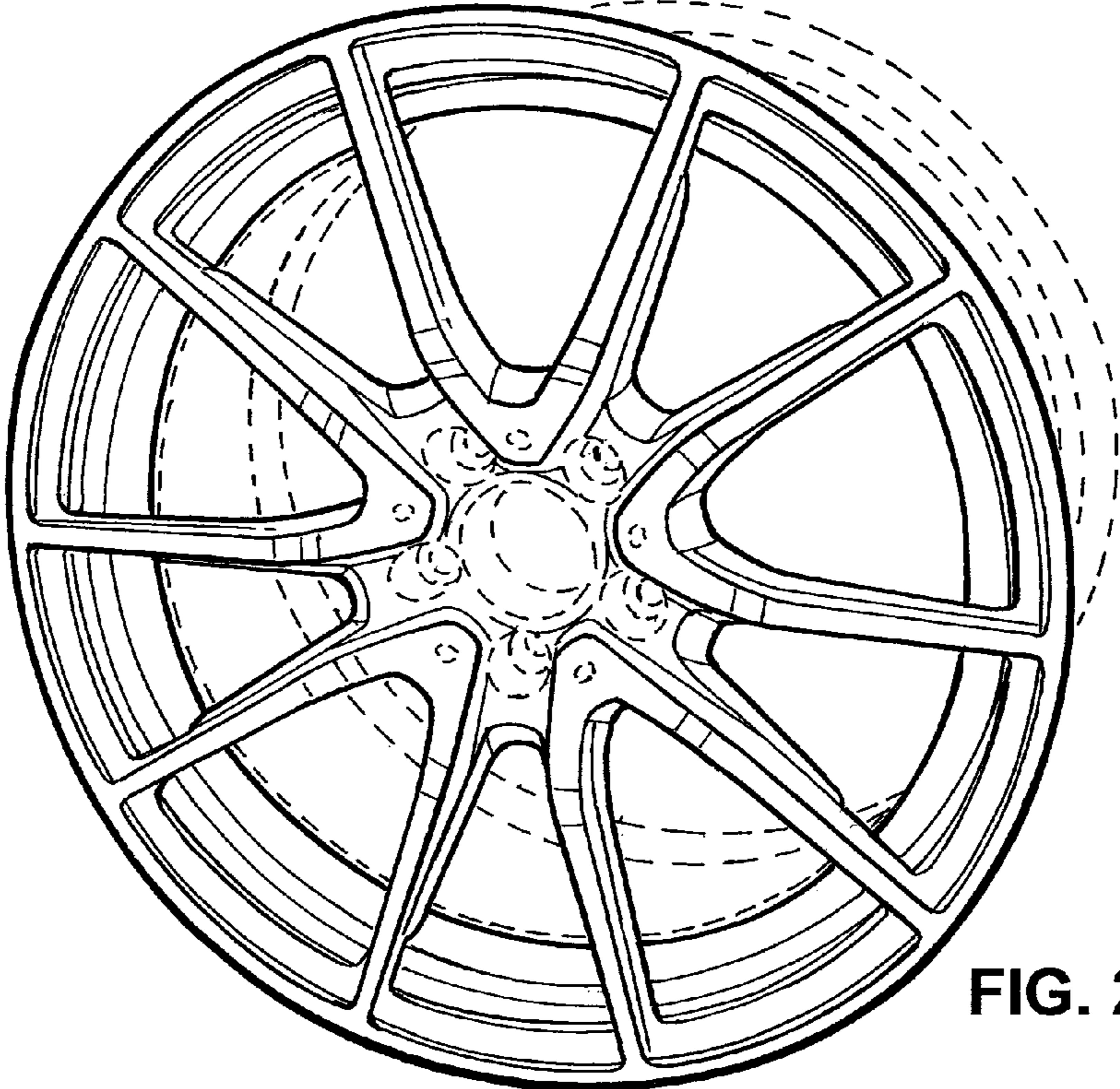


FIG. 2