



US00D689418S

(12) **United States Design Patent**  
**Menefee**

(10) **Patent No.:** **US D689,418 S**

(45) **Date of Patent:** **\*\* Sep. 10, 2013**

- (54) **MOTORCYCLE HANDLEBARS**
- (71) Applicant: **Dana Menefee**, Sioux City, IA (US)
- (72) Inventor: **Dana Menefee**, Sioux City, IA (US)
- (\*\*) Term: **14 Years**
- (21) Appl. No.: **29/440,487**
- (22) Filed: **Dec. 21, 2012**
- (51) **LOC (9) Cl.** ..... **12-11**
- (52) **U.S. Cl.**  
USPC ..... **D12/178**
- (58) **Field of Classification Search**  
USPC ..... D12/178, 110, 111; 180/219, 220;  
280/274–280, 281.1; 74/551.1–551.8  
See application file for complete search history.

- D222,022 S \* 9/1971 Pawsat et al. .... D12/178
- D223,072 S \* 3/1972 Pawsat et al. .... D12/178
- D224,696 S \* 8/1972 Pawsat et al. .... D12/178
- D621,755 S \* 8/2010 Carlini ..... D12/178

\* cited by examiner

*Primary Examiner* — Susan M Lee

*Assistant Examiner* — Linda Brooks

(74) *Attorney, Agent, or Firm* — McKee, Voorhees & Sease, P.L.C.

(57) **CLAIM**

I claim the ornamental design for motorcycle handlebars, substantially as shown and described.

**DESCRIPTION**

FIG. 1 is a perspective view of motorcycle handlebars. FIG. 2 is a front elevation view of the motorcycle handlebars of FIG. 1.

FIG. 3 is a side elevation view of the motorcycle handlebars of FIG. 1; and,

FIG. 4 is a top plan view of the motorcycle handlebars of FIG. 1.

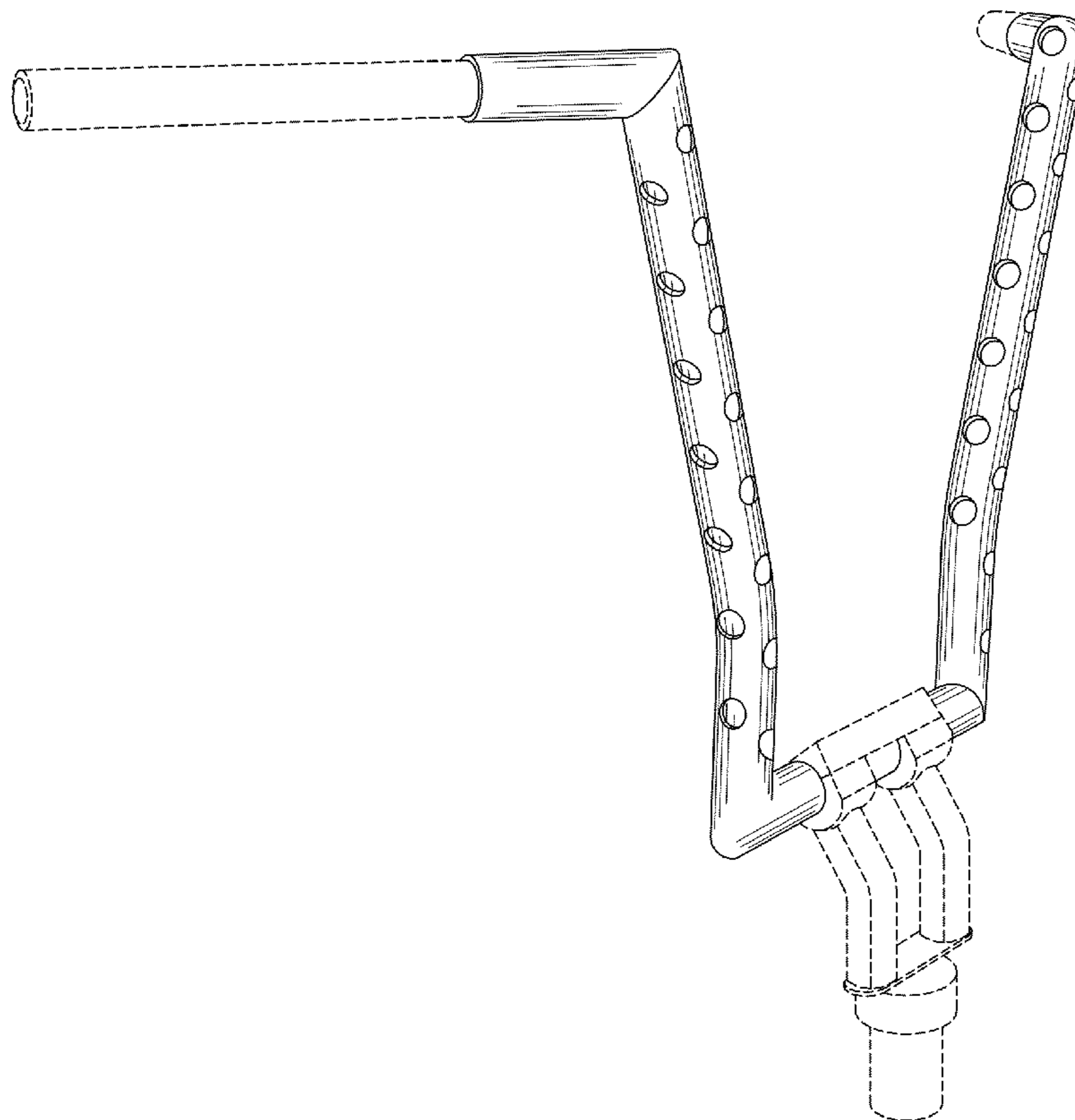
Applicant makes no claim to the structure shown in broken lines in the drawings.

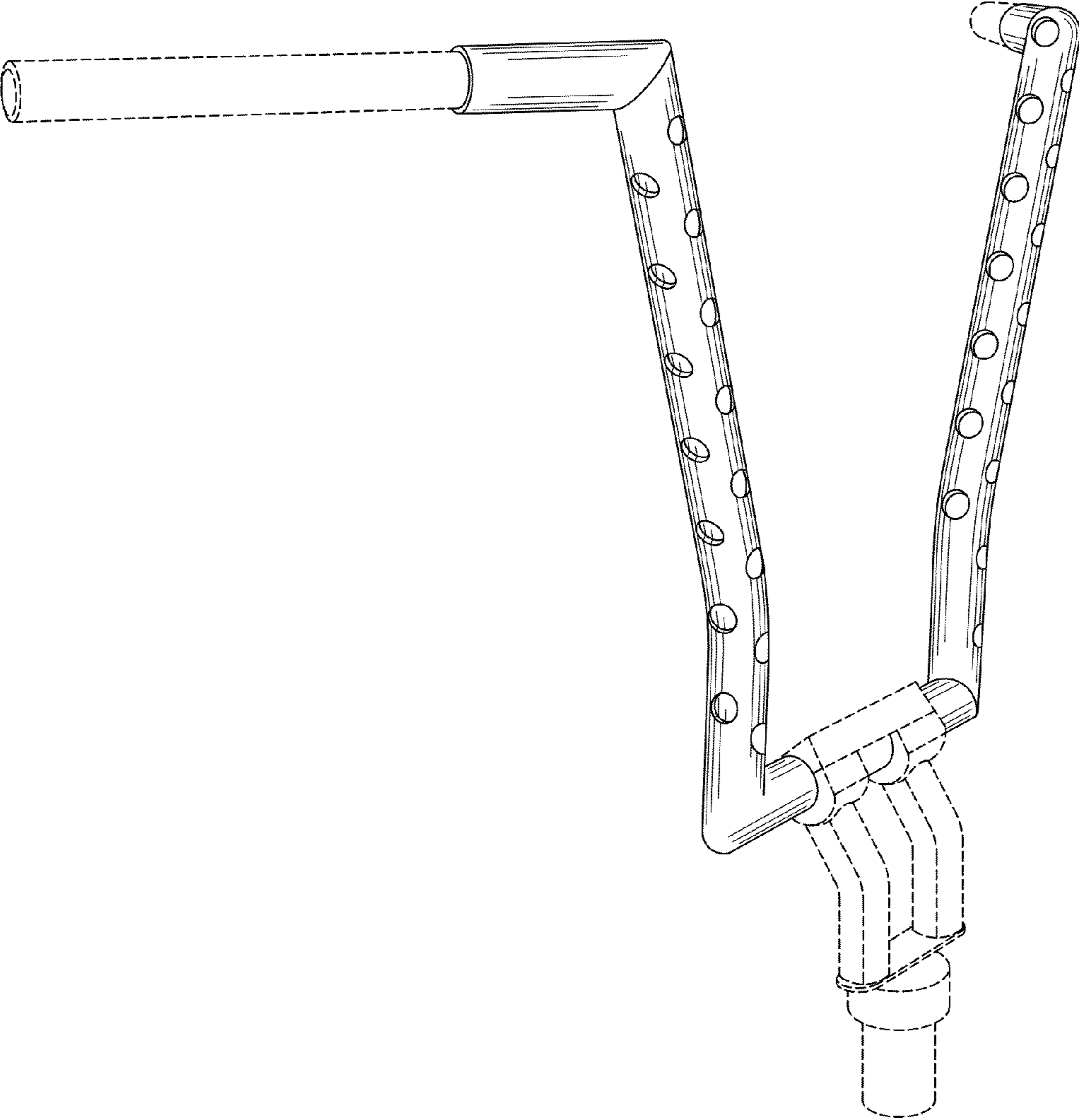
**1 Claim, 4 Drawing Sheets**

(56) **References Cited**

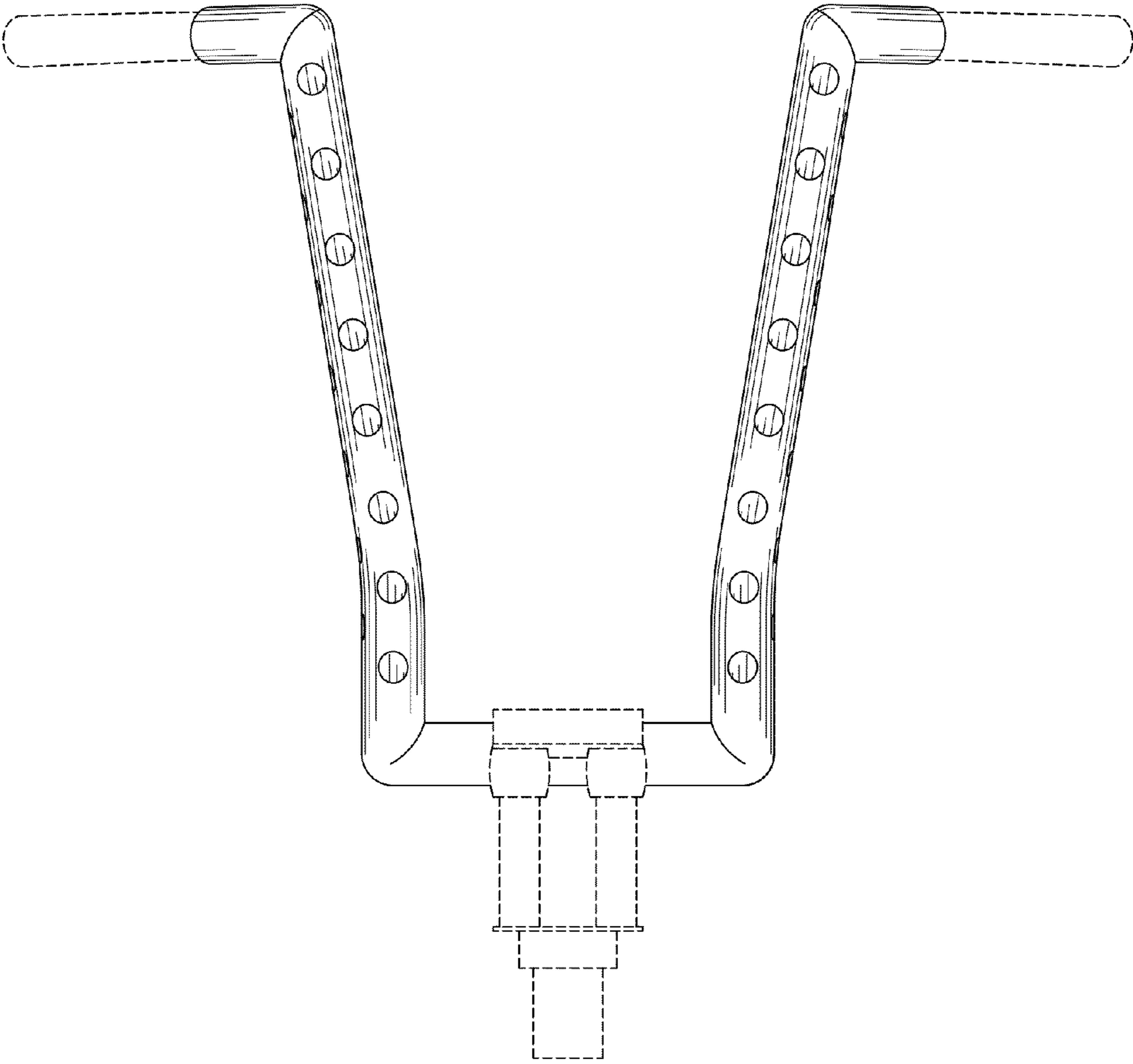
U.S. PATENT DOCUMENTS

- D222,015 S \* 9/1971 Pawsat et al. .... D12/178
- D222,016 S \* 9/1971 Pawsat et al. .... D12/178
- D222,017 S \* 9/1971 Pawsat et al. .... D12/178
- D222,018 S \* 9/1971 Pawsat et al. .... D12/178
- D222,019 S \* 9/1971 Pawsat et al. .... D12/178
- D222,020 S \* 9/1971 Pawsat et al. .... D12/178
- D222,021 S \* 9/1971 Pawsat et al. .... D12/178

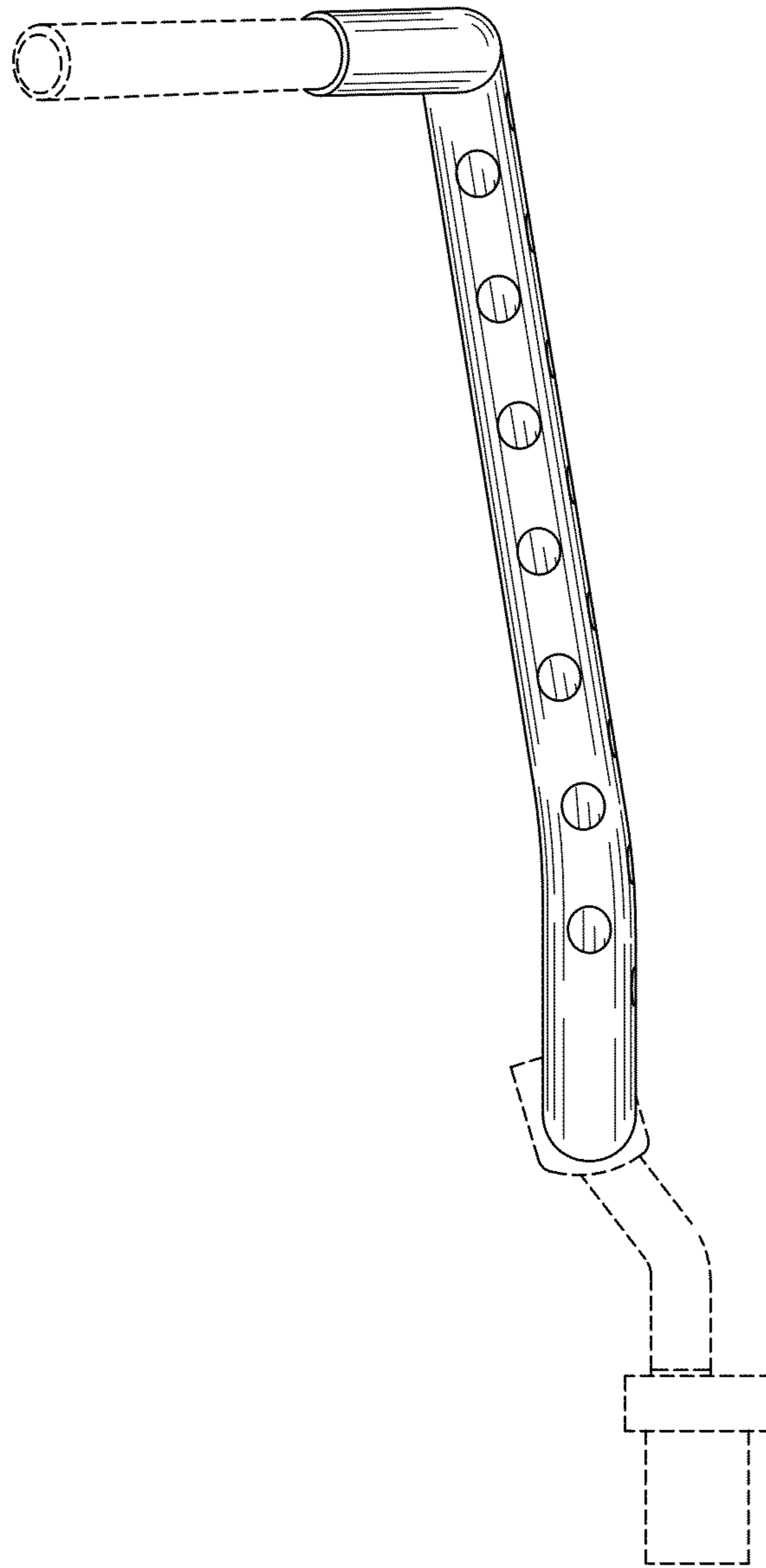




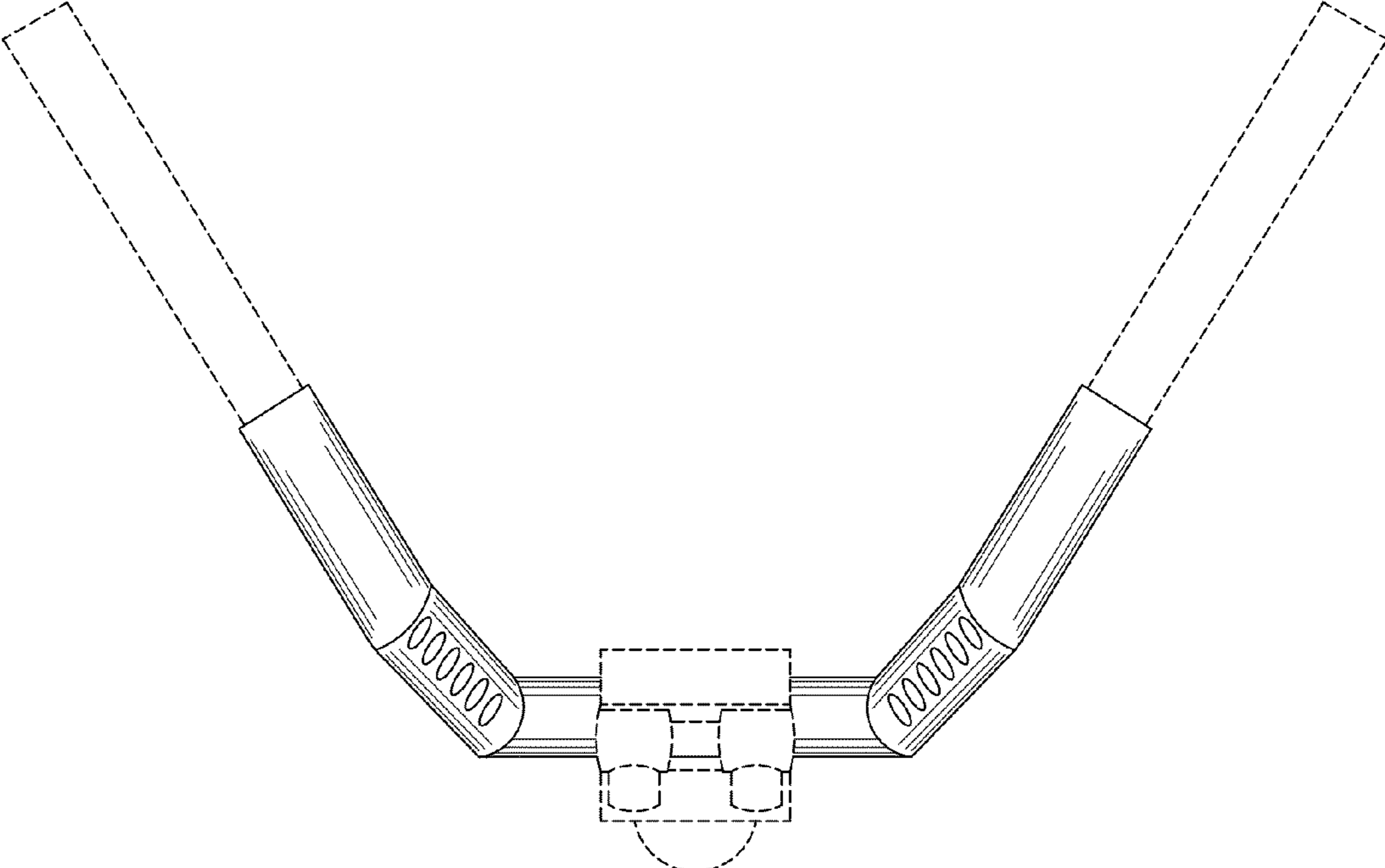
*Fig. 1*



*Fig. 2*



*Fig. 3*



*Fig. 4*