



US00D689417S

(12) **United States Design Patent**
Shelters

(10) **Patent No.:** **US D689,417 S**

(45) **Date of Patent:** **** Sep. 10, 2013**

(54) **BUMPER GUARD**

(76) Inventor: **Steven Shelters**, Kennedy, NY (US)

(**) Term: **14 Years**

(21) Appl. No.: **29/422,947**

(22) Filed: **May 25, 2012**

(51) **LOC (9) Cl.** **12-16**

(52) **U.S. Cl.**
USPC **D12/171**

(58) **Field of Classification Search**
USPC D12/169, 170, 171; 293/102, 103,
293/115, 120, 121, 144
See application file for complete search history.

(56) **References Cited**

U.S. PATENT DOCUMENTS

1,526,479	A *	2/1925	Karper	293/44
3,431,005	A *	3/1969	Priefert	293/115
D258,502	S *	3/1981	Nespor	D12/170
D259,873	S *	7/1981	Milner	D12/171
D280,398	S *	9/1985	Milton	D12/171
D308,037	S *	5/1990	Aiken	D12/169
D308,957	S *	7/1990	Bennie	D12/169
D318,537	S *	7/1991	Allman	D26/139
D333,457	S *	2/1993	La Foe et al.	D12/171
5,570,826	A	11/1996	Garbes et al.		
5,775,560	A	7/1998	Zahn et al.		
D427,121	S *	6/2000	Hartog	D12/171
6,398,276	B1	6/2002	Smith		
6,962,378	B2	11/2005	Ledford et al.		
D523,383	S *	6/2006	Fox	D12/171
D528,481	S *	9/2006	Taveras	D12/171
D535,923	S *	1/2007	Katoh	D12/171
7,338,100	B2	3/2008	Meyer		
D576,526	S	9/2008	McBain		
D606,913	S *	12/2009	Robertson	D12/171
D614,095	S *	4/2010	Fretz et al.	D12/171
D618,600	S *	6/2010	Lorenzo	D12/171
D619,060	S *	7/2010	Lorenzo	D12/171
D619,061	S *	7/2010	Lorenzo	D12/171

D626,474	S *	11/2010	Lorenzo	D12/171
7,874,572	B2 *	1/2011	Buehler et al.	280/474
D636,305	S *	4/2011	Alvarez et al.	D12/171
D640,618	S *	6/2011	Lorenzo	D12/171
8,388,012	B2 *	3/2013	Buehler et al.	280/474
2009/0212581	A1 *	8/2009	Drever	293/115
2010/0314891	A1 *	12/2010	Acosta	293/115
2012/0187704	A1 *	7/2012	Gibbs	293/142

* cited by examiner

Primary Examiner — Philip S Hyder

Assistant Examiner — Darlington Ly

(74) *Attorney, Agent, or Firm* — The Bilicki Law Firm, P.C.;
Carl A. Hjort, III

(57) **CLAIM**

The ornamental design for a bumper guard, as shown and described.

DESCRIPTION

FIG. 1 is a top perspective view of the bumper guard according to the present design.

FIG. 2 is a rear view of the bumper guard according to the present design.

FIG. 3 is a front view of the bumper guard according to the present design.

FIG. 4 is a top view of the bumper guard according to the present design.

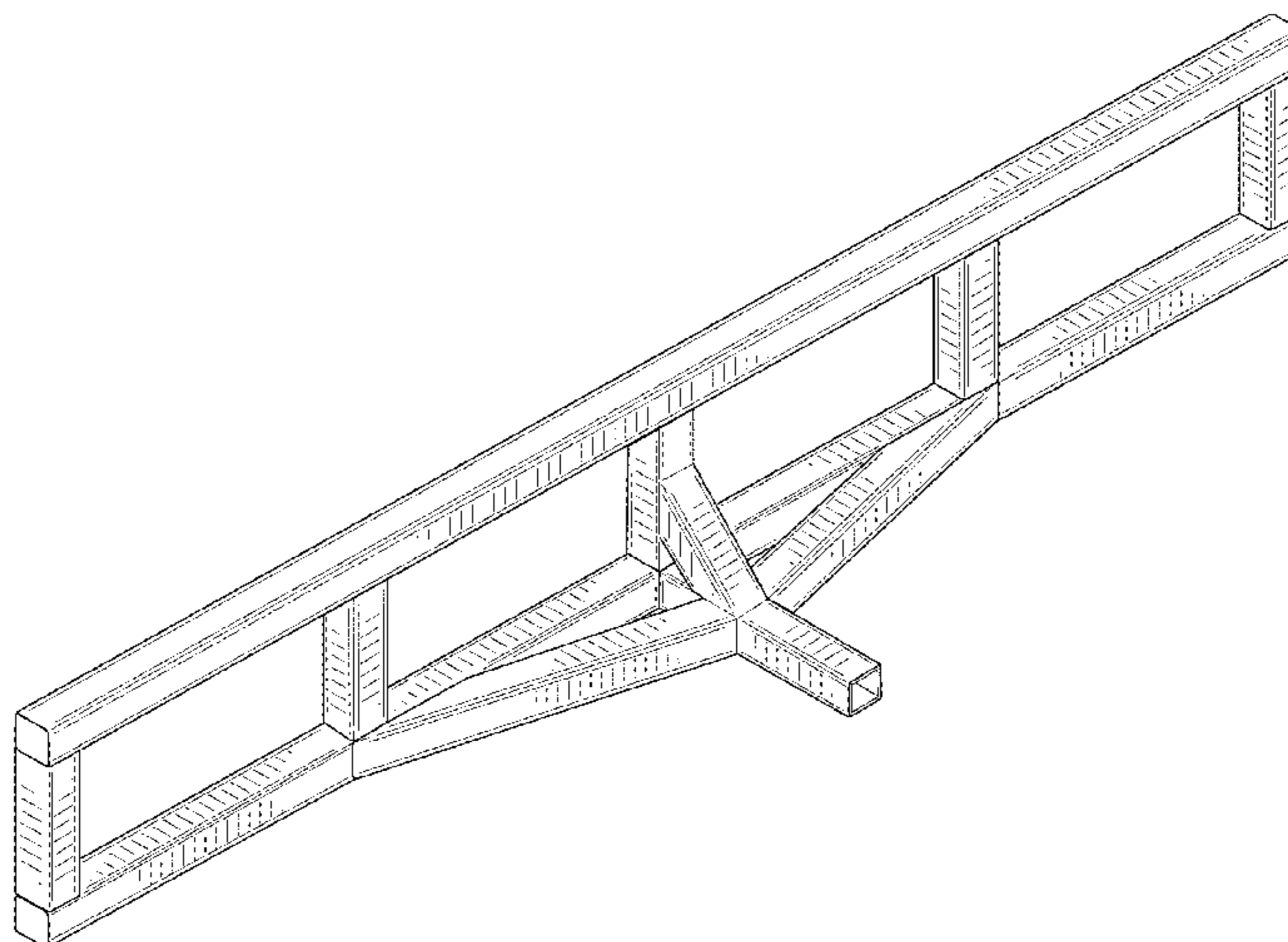
FIG. 5 is a bottom view of the bumper guard according to the present design.

FIG. 6 is a left side view of the bumper guard according to the present design.

FIG. 7 is a right side view of the bumper guard according to the present design; and,

FIG. 8 is a perspective view of the bumper guard according to the present design, with additional environmental structure shown in broken lines and forming no part of the claimed design.

1 Claim, 7 Drawing Sheets



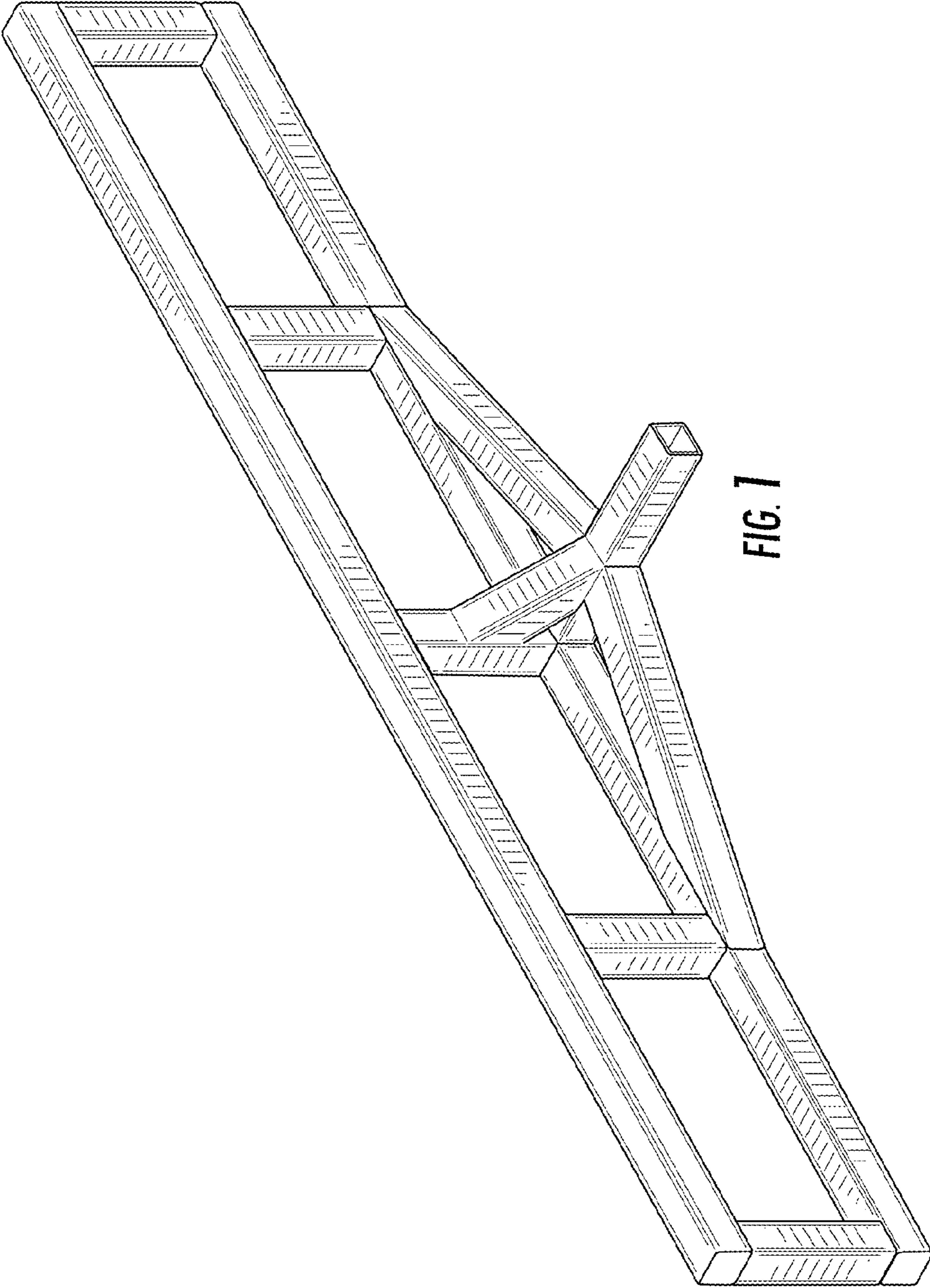


FIG. 7

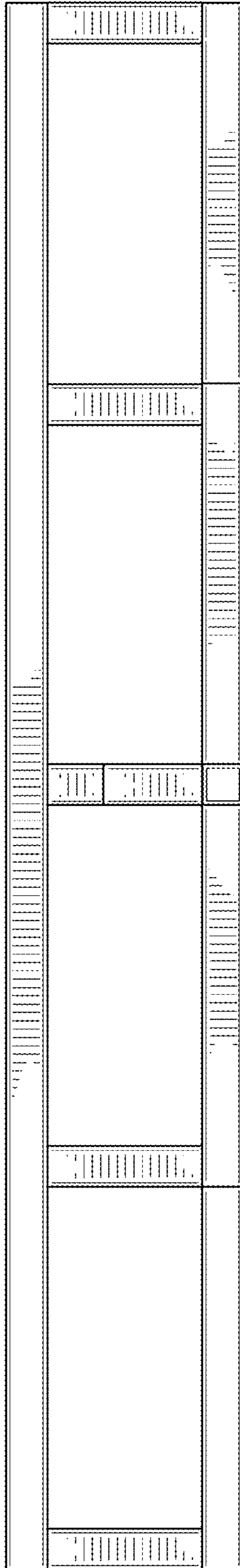


FIG. 2

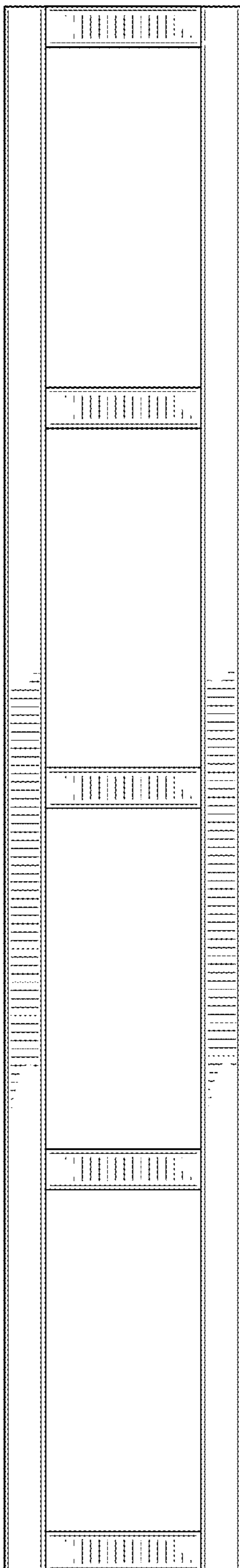


FIG. 3

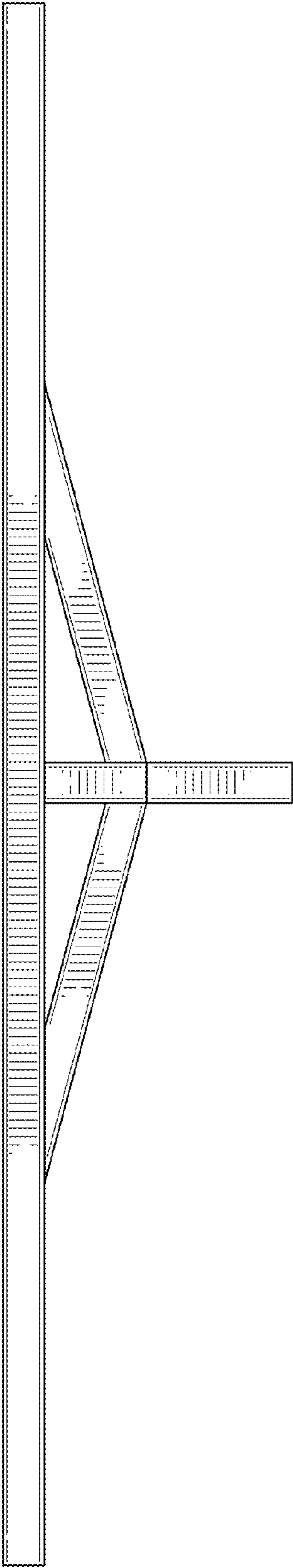


FIG. 4

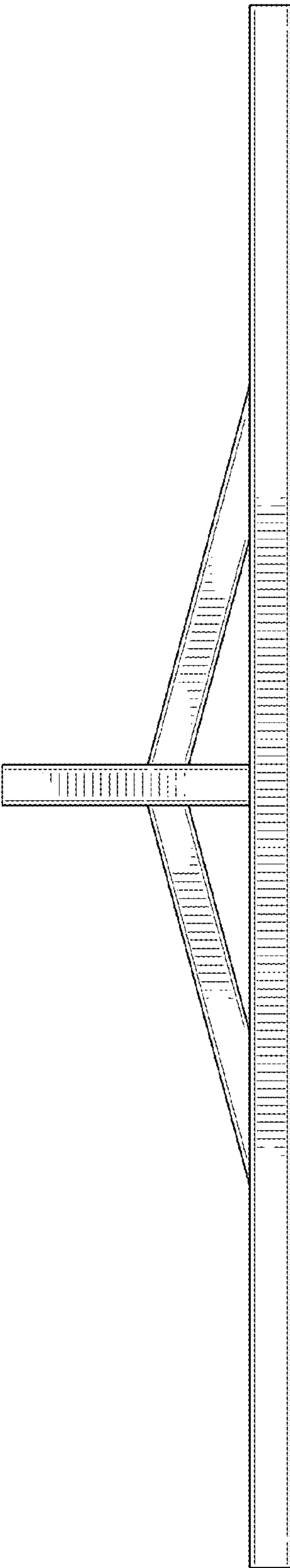


FIG. 5

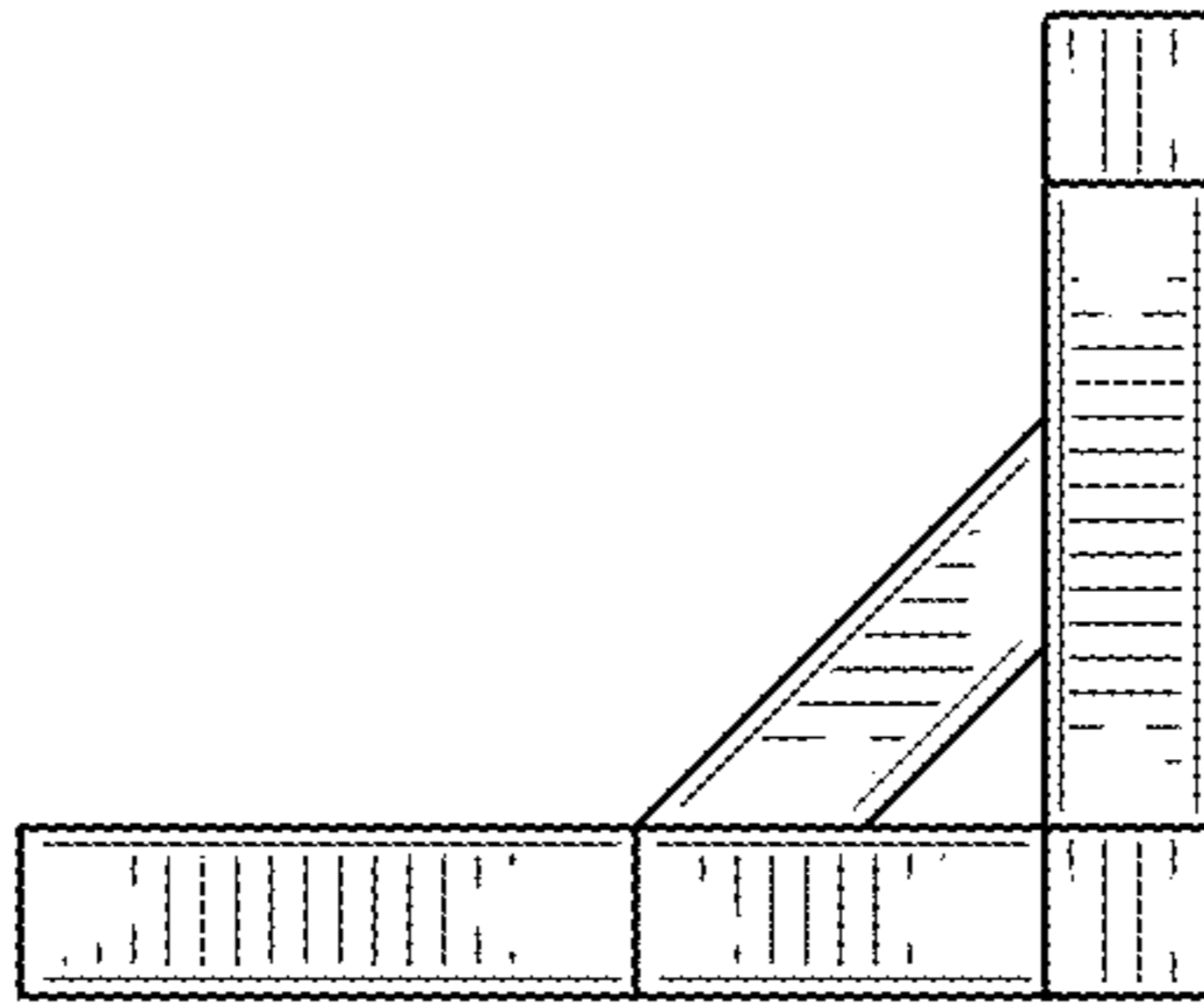


FIG. 6

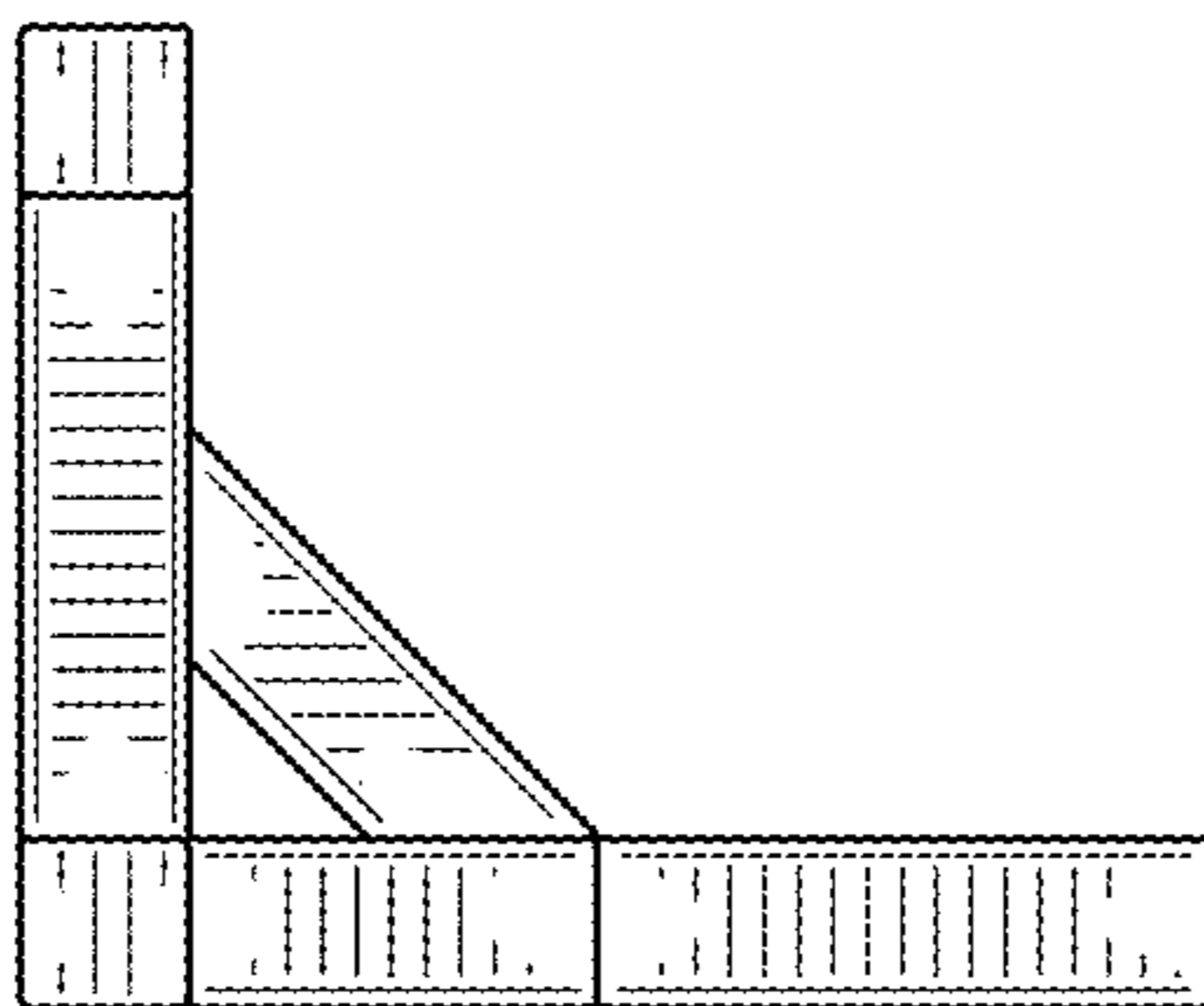


FIG. 7

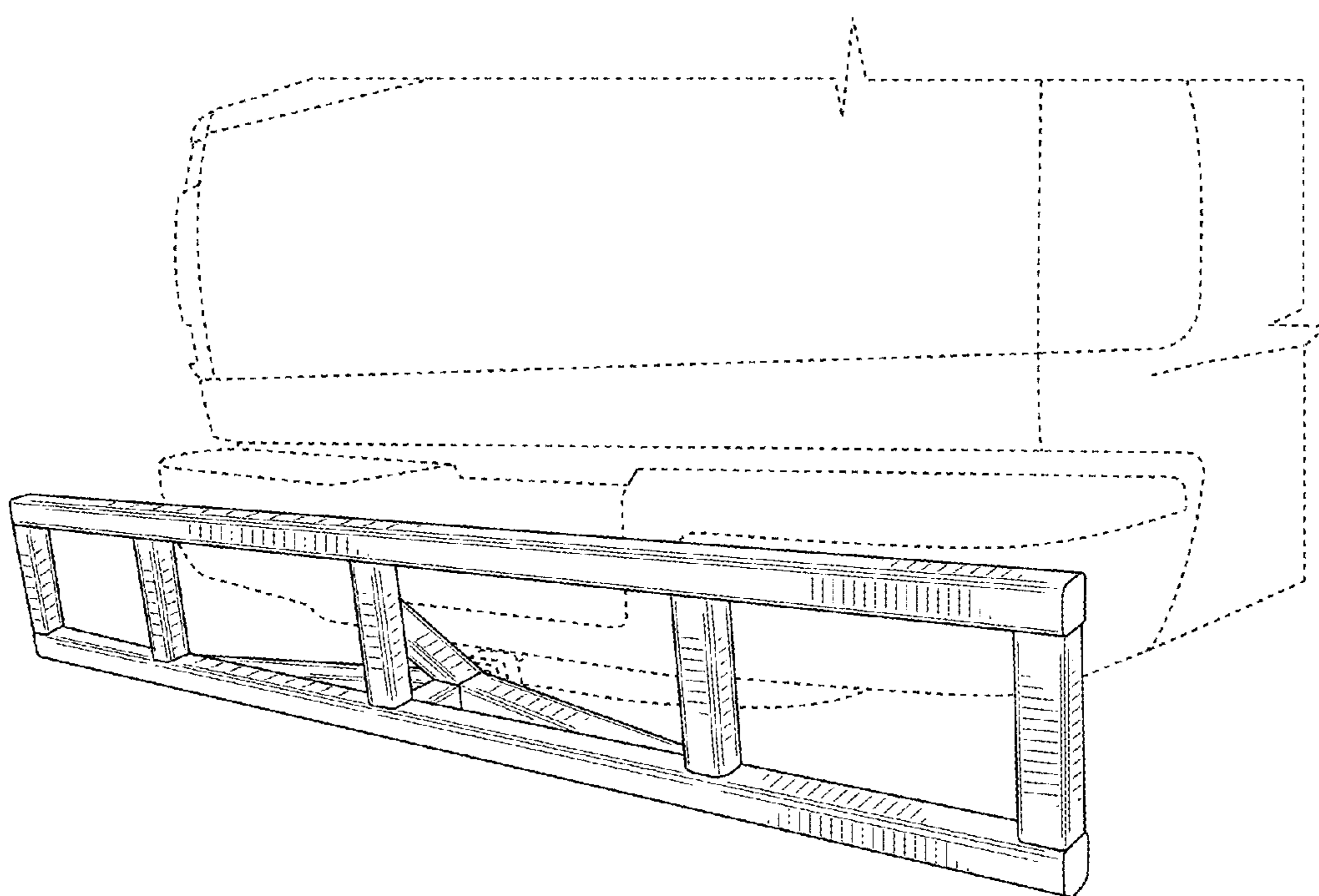


FIG. 8