



US00D689414S

(12) **United States Design Patent**
Endo

(10) **Patent No.:** **US D689,414 S**

(45) **Date of Patent:** **** Sep. 10, 2013**

(54) **FRONT GRILL FOR AN AUTOMOBILE**

(75) Inventor: **Giichi Endo**, Kanagawa (JP)

(73) Assignee: **Nissan Motor Co., Ltd.**, Yokohama (JP)

(**) Term: **14 Years**

(21) Appl. No.: **29/430,902**

(22) Filed: **Aug. 31, 2012**

(30) **Foreign Application Priority Data**

Mar. 6, 2012 (JP) 2012-005051

(51) **LOC (9) Cl.** **12-16**

(52) **U.S. Cl.**
USPC **D12/163**

(58) **Field of Classification Search**
USPC D12/86, 90, 91, 92, 163, 169, 196,
D12/171, 216; 180/68.1, 68.6; 296/193.11
See application file for complete search history.

(56) **References Cited**

U.S. PATENT DOCUMENTS

5,487,575	A *	1/1996	Chase	293/115
6,328,358	B1 *	12/2001	Berweiler	293/115
D498,186	S *	11/2004	Iwai	D12/163
D565,479	S *	4/2008	Iida et al.	D12/163
D575,204	S *	8/2008	Nakajima	D12/163
D626,464	S *	11/2010	Yanase et al.	D12/163
D629,339	S *	12/2010	Choi et al.	D12/163
D631,405	S *	1/2011	Kuze	D12/163
D667,762	S *	9/2012	Yanase	D12/163
D675,134	S *	1/2013	Yamamoto et al.	D12/163
D682,164	S *	5/2013	Fuchigami	D12/163
2011/0005851	A1 *	1/2011	Doroghazi et al.	180/68.1
2013/0107046	A1 *	5/2013	Forgue	293/115

FOREIGN PATENT DOCUMENTS

DE	10053517	A1 *	5/2002
DE	202006002070	U1 *	7/2006
JP	2010241216	A *	10/2010

OTHER PUBLICATIONS

The All-New 2013 Infiniti JX—Choose to Be Inspired. Electronic Brochure. PDF Document dated Nov. 4, 2011 [online], [retrieved on Jun. 26, 2013]. Retrieved from the Internet <URL: http://www.auto-brochures.com/makes/Infiniti/JX/Infiniti_US%20JX_2013.pdf>.*

(Continued)

Primary Examiner — Philip S Hyder

Assistant Examiner — Darlington Ly

(74) *Attorney, Agent, or Firm* — Global IP Counselors, LLP

(57) **CLAIM**

The ornamental design for a front grill for an automobile, as shown and described.

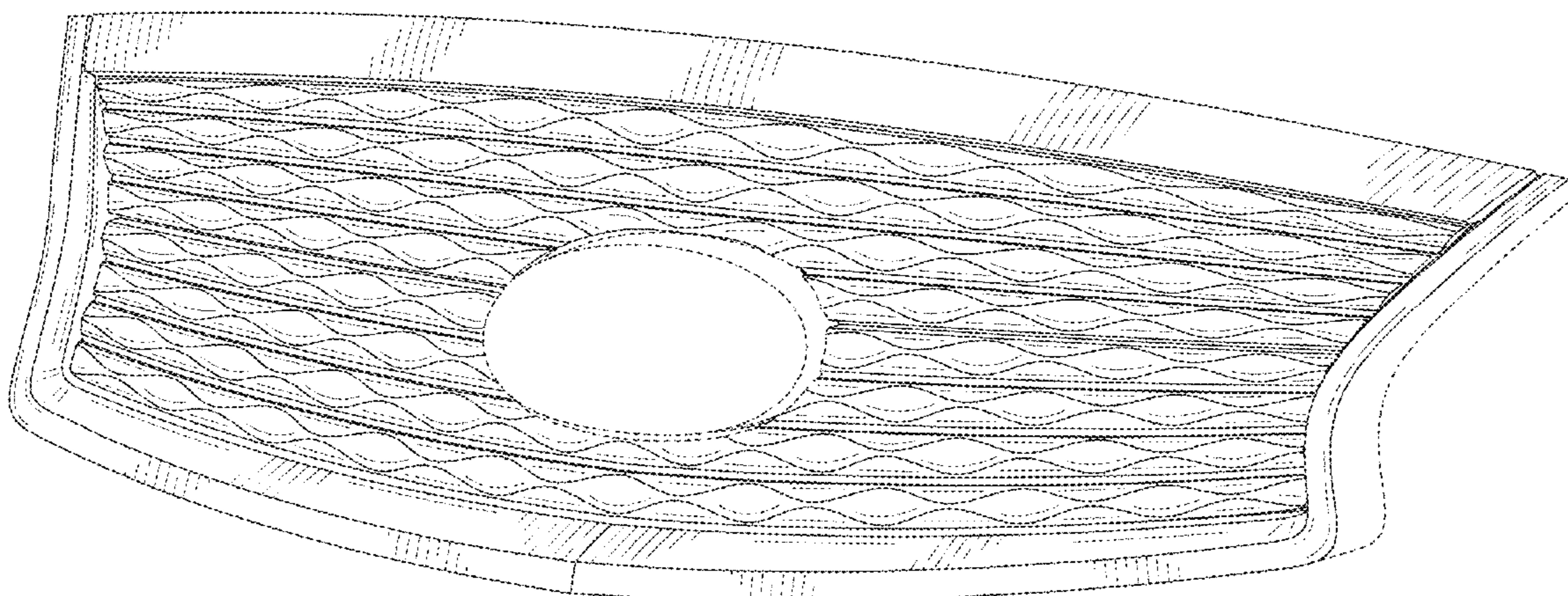
DESCRIPTION

FIG. 1 is a front elevation view of a front grill for an automobile in accordance with my new design; FIG. 2 is a rear elevation view thereof; FIG. 3 is a top plan view thereof; FIG. 4 is a bottom plan view thereof; FIG. 5 is a left side elevation view thereof; FIG. 6 is a right side elevation view thereof; FIG. 7 is a front-right side perspective view thereof; and, FIG. 8 is a cross-sectional view thereof, as taken along the section line 8-8 in FIG. 1.

The broken line showing of the front grill is for purpose of illustrating environmental structure and forms no part of the claimed design.

The cross sectional view of FIG. 8 is provided to clarify the exact contour or configuration of the exterior surface of the front finisher, and no attempt is made to illustrate features of internal construction.

1 Claim, 7 Drawing Sheets



(56)

References Cited

OTHER PUBLICATIONS

Infiniti G Convertible—Free Your Senses. Transform Your World.
Electronic Brochure. PDF Document dated Sep. 28, 2011 [online],

[retrieved on Jun. 26, 2013]. Retrieved from the Internet <URL:
[http://www.auto-brochures.com/makes/Infiniti/G/Infiniti_
US%20G_Convertible_2012.pdf](http://www.auto-brochures.com/makes/Infiniti/G/Infiniti_US%20G_Convertible_2012.pdf)>.*

* cited by examiner

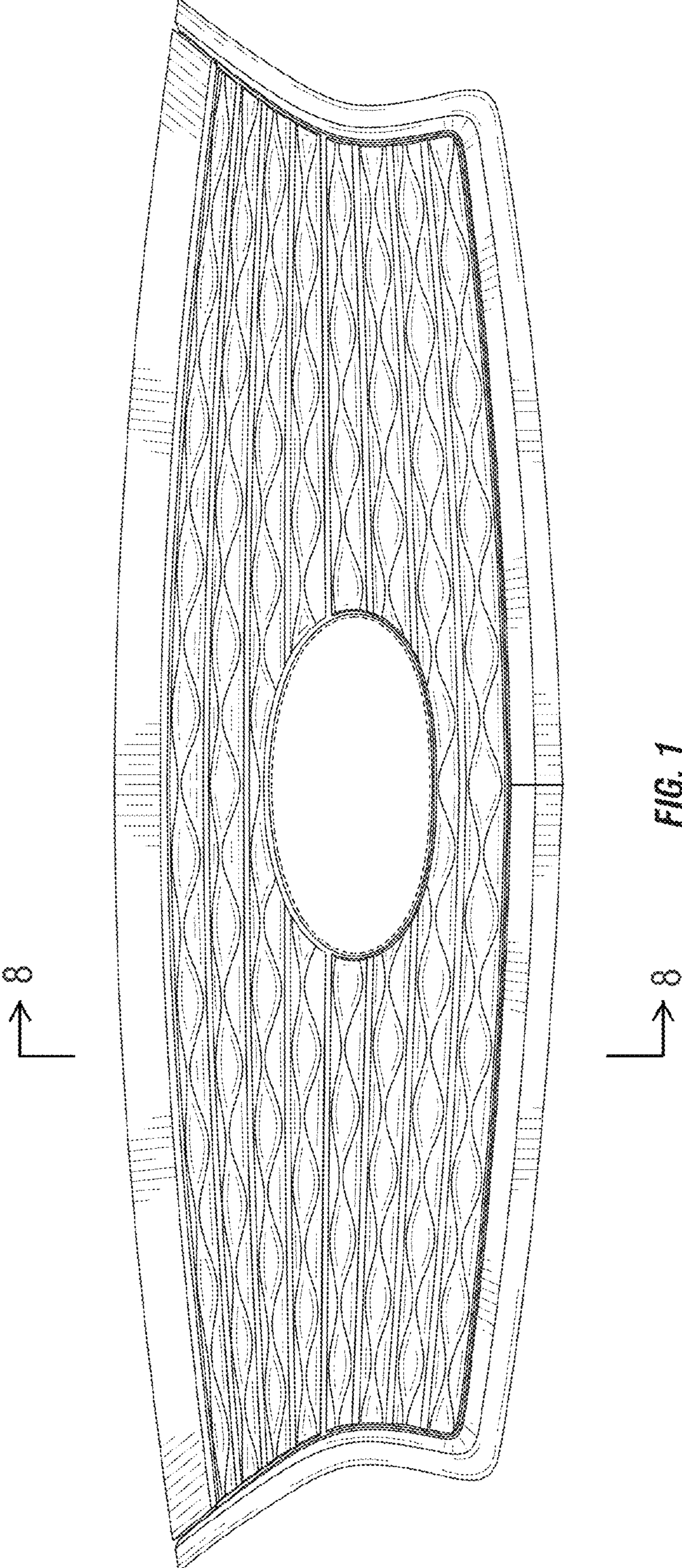


FIG. 1

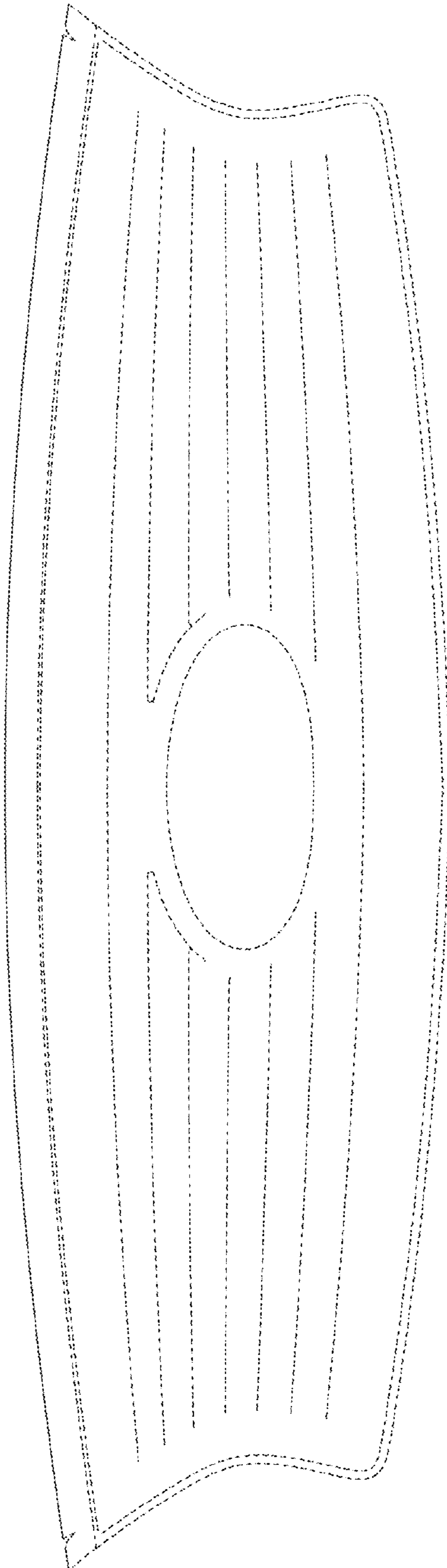


FIG. 2

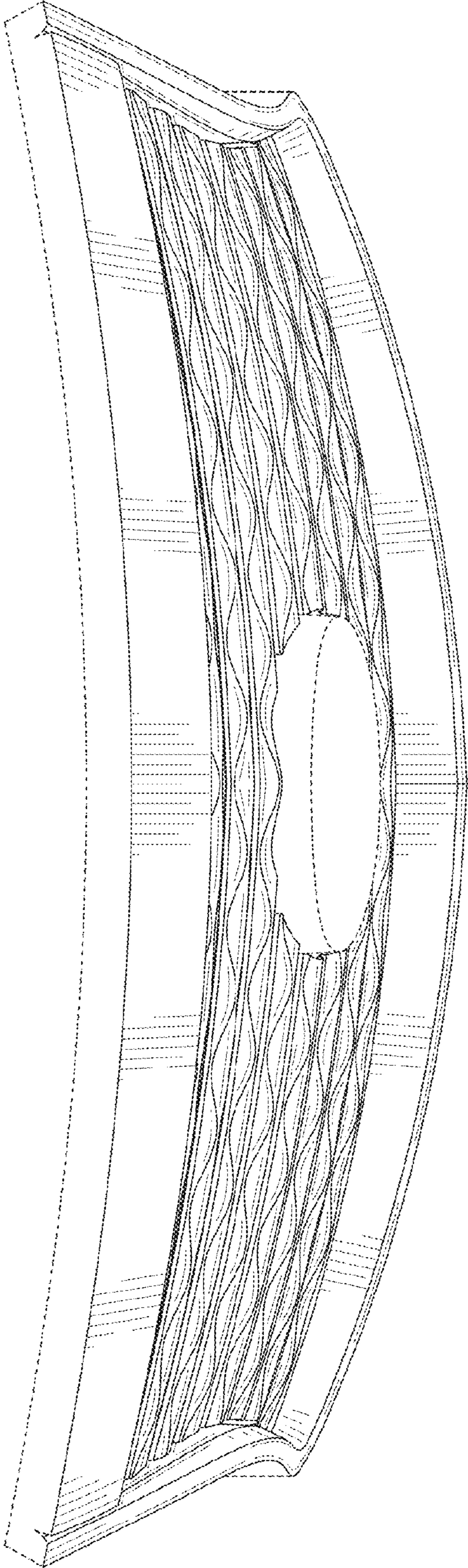


FIG. 3

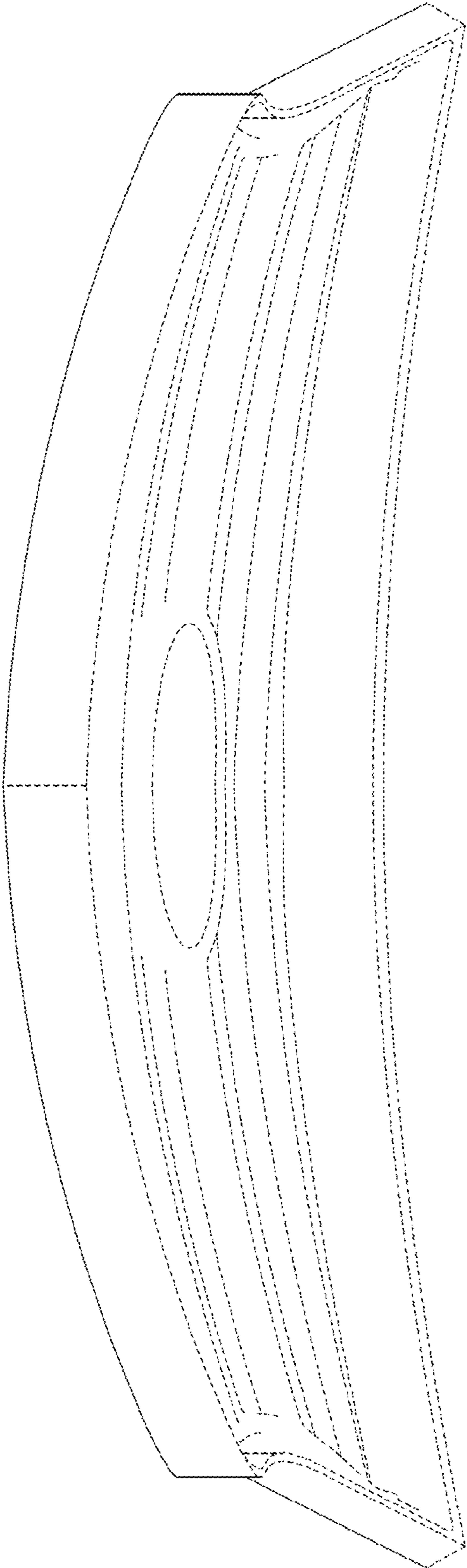


FIG. 4

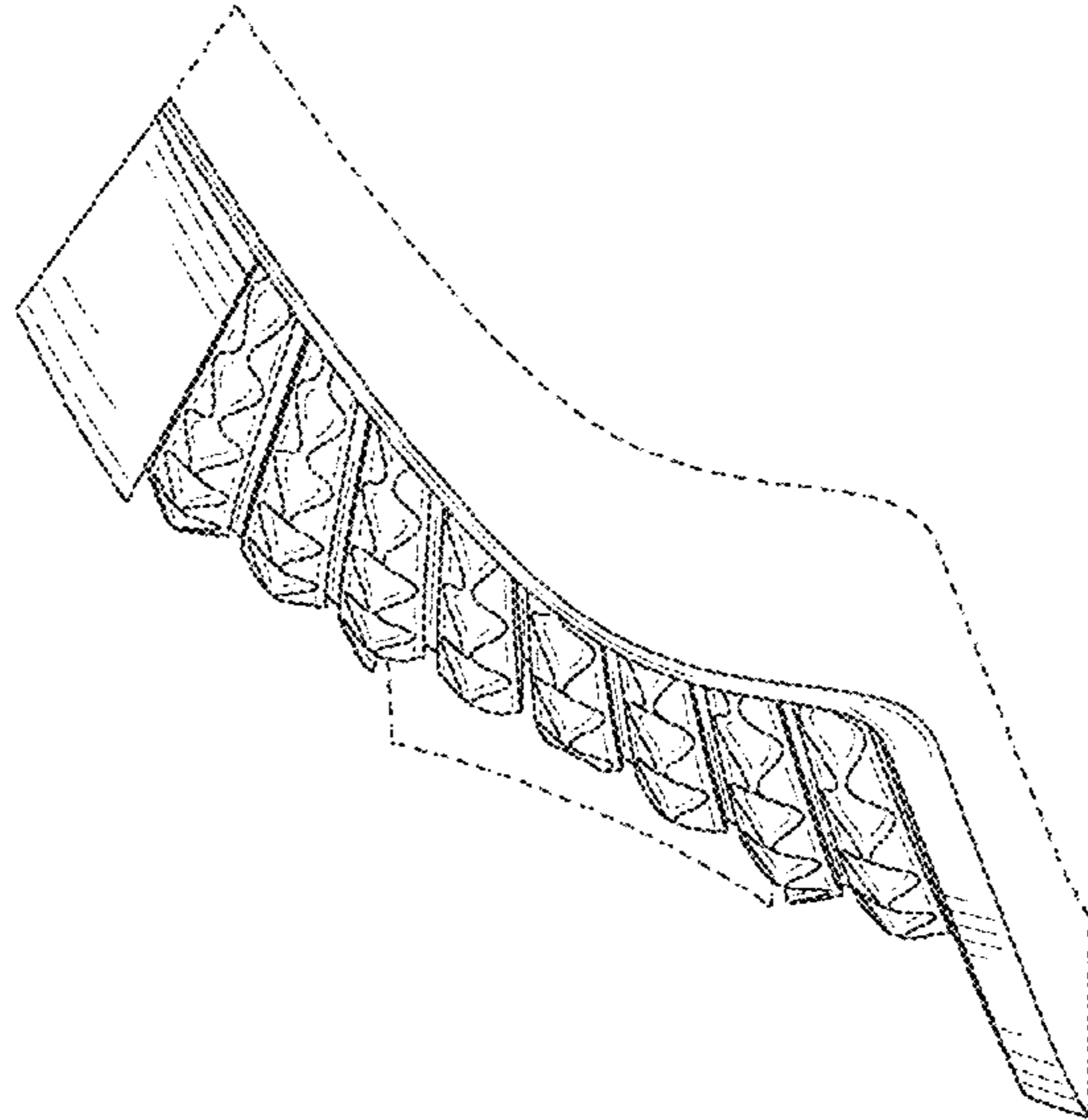


FIG. 6

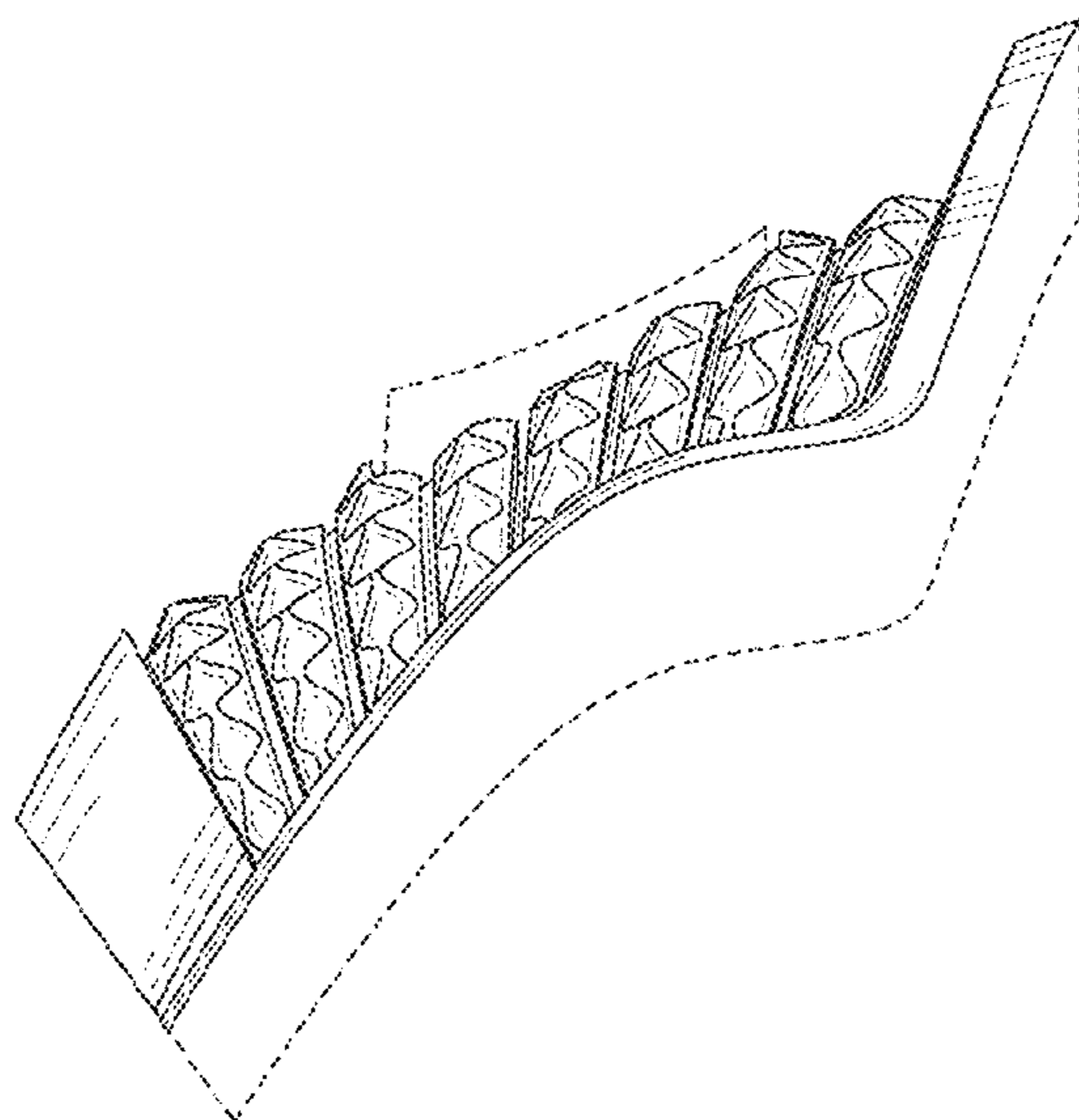


FIG. 5

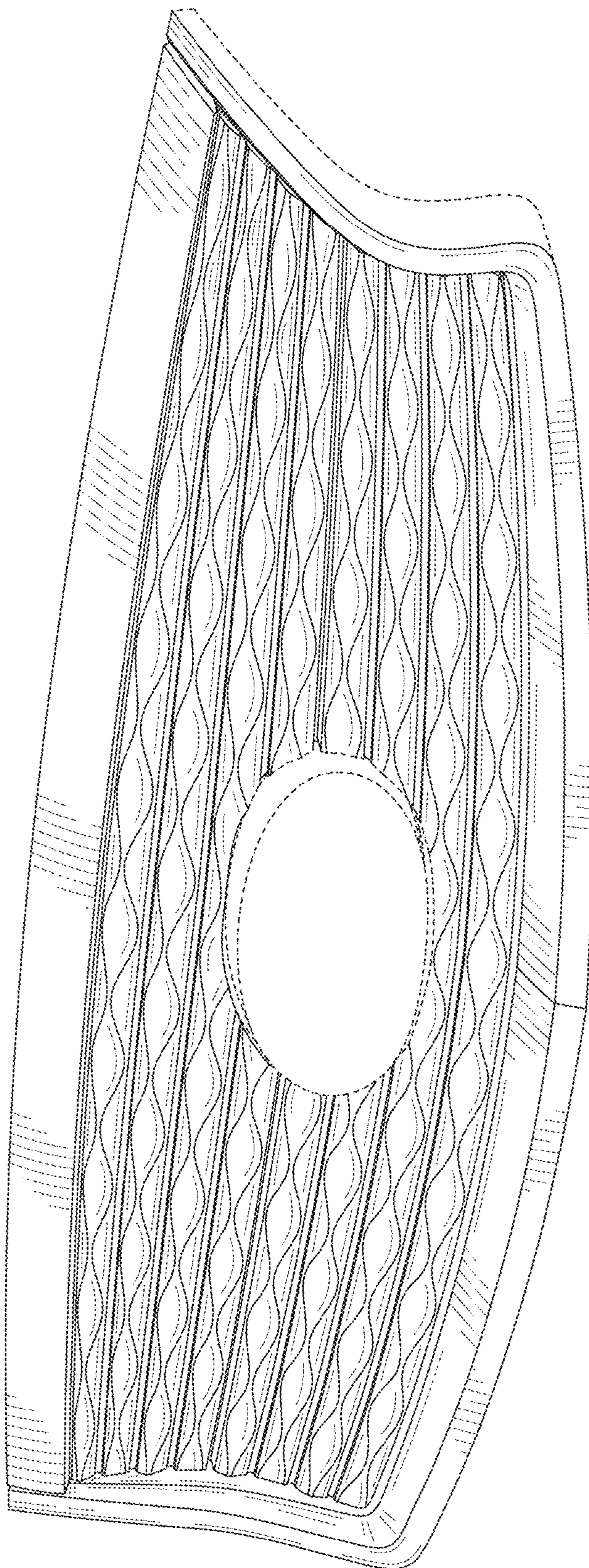


FIG. 7

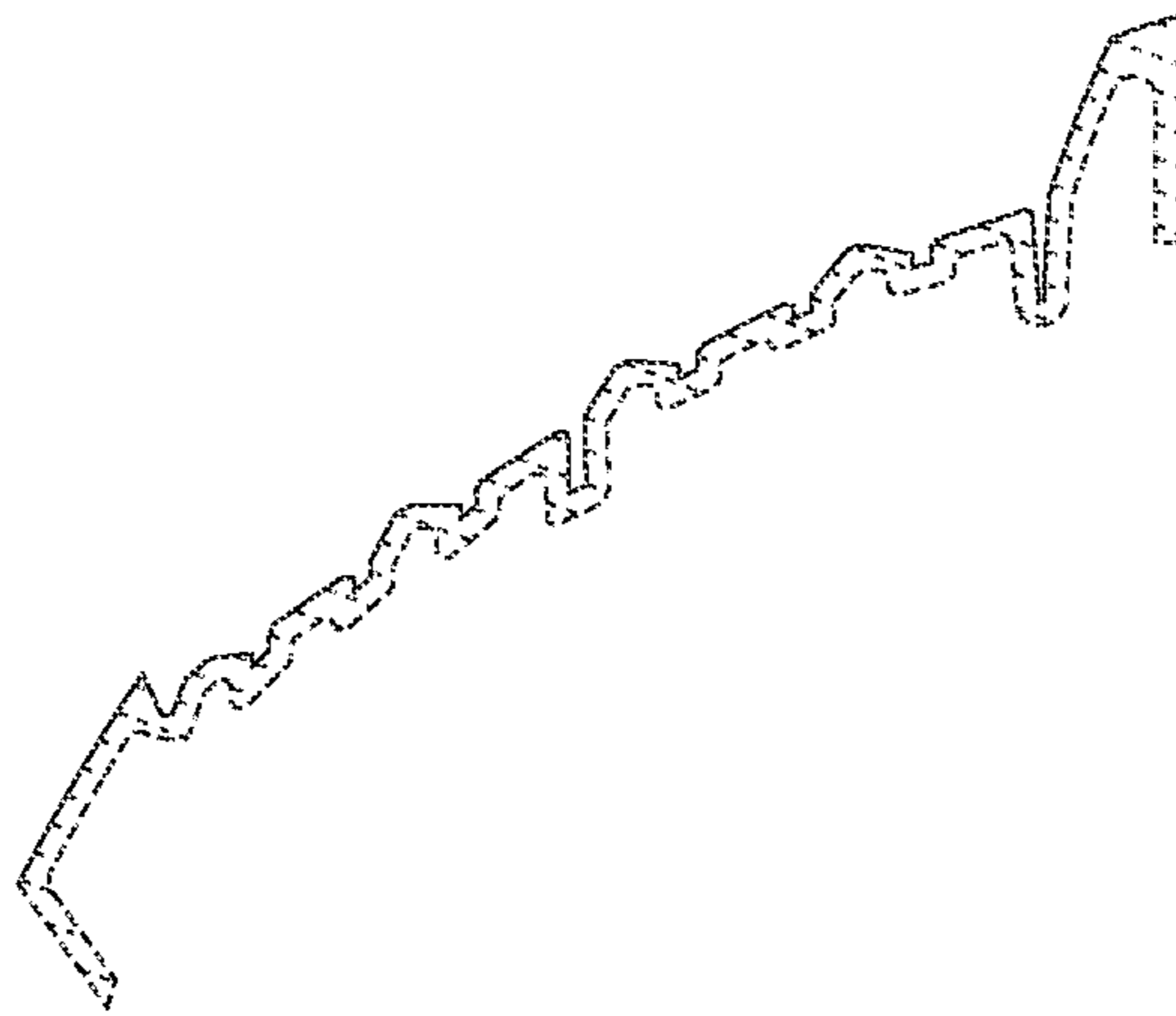


FIG. 8