

US00D689412S

(12) **United States Design Patent**
Mohan et al.

(10) **Patent No.:** **US D689,412 S**
(45) **Date of Patent:** **** Sep. 10, 2013**

- (54) **WHEELCHAIR SHROUD**
- (75) Inventors: **Traian Mohan**, Parma, OH (US);
Damon Jurkiewicz, Cleveland, OH (US);
Joe Spalding, Akron, OH (US);
Daniel James Yee, Parma, OH (US)
- (73) Assignee: **Invacare Corp.**, Elyria, OH (US)
- (**) Term: **14 Years**
- (21) Appl. No.: **29/388,307**
- (22) Filed: **Mar. 28, 2011**
- (51) **LOC (9) Cl.** **12-12**
- (52) **U.S. Cl.**
USPC **D12/133**
- (58) **Field of Classification Search**
USPC D12/128-133; 280/62, 647-650,
280/29, 200, 47.38, 250.1, 259, 642, 658;
296/65.03, 65.04; 224/409; 297/DIG. 4
See application file for complete search history.

D536,187 S	2/2007	Goebert et al.	
D536,887 S	2/2007	Goebert et al.	
D540,221 S	4/2007	Cartellone et al.	
7,204,556 B2	4/2007	Schwerdtner et al.	
7,229,132 B2	6/2007	Meeker et al.	
D559,741 S	1/2008	Lasher, III	
D569,769 S	5/2008	Chiu et al.	
7,413,045 B2	8/2008	Tien	
7,472,959 B1	1/2009	Ratza et al.	
D585,794 S	2/2009	Lin	
D589,411 S	3/2009	Brown et al.	
D608,550 S	1/2010	Scollberger et al.	
D614,541 S	4/2010	Storm	
7,694,991 B2	4/2010	Mills et al.	
D615,461 S	5/2010	Storm	
D642,499 S *	8/2011	Tuckowski et al.	D12/133
D642,500 S *	8/2011	Tuckowski et al.	D12/133
D652,357 S *	1/2012	Jurkiewicz et al.	D12/133
D653,176 S *	1/2012	Jurkiewicz et al.	D12/131
D654,408 S *	2/2012	Spalding et al.	D12/133
D656,070 S *	3/2012	Spalding et al.	D12/131
2001/0013437 A1	8/2001	Husted et al.	
2006/0082098 A1	4/2006	Harris	
2007/0107963 A1	5/2007	Chiu	
2007/0195081 A1	8/2007	Fischer	
2008/0087481 A1	4/2008	Grymko	

FOREIGN PATENT DOCUMENTS

WO 97046516 12/1997

(56) **References Cited**

U.S. PATENT DOCUMENTS

D231,801 S	6/1974	Pivacek
3,865,427 A	2/1975	Delany
4,025,112 A	5/1977	Hale
4,961,610 A	10/1990	Reeder et al.
5,018,788 A	5/1991	Cedergreen
5,033,792 A	7/1991	Kanazawa
D333,737 S	3/1993	Adams
5,275,466 A	1/1994	Rentchler, Jr.
5,366,037 A	11/1994	Richey
D365,787 S	1/1996	Peterson et al.
D380,991 S	7/1997	Deming
5,820,221 A	10/1998	Greaves et al.
6,015,190 A	1/2000	Wend
6,352,273 B1	3/2002	Dickie
6,386,638 B1	5/2002	Strauch
D462,639 S	9/2002	Lin
6,459,962 B2	10/2002	Ulrich et al.
D468,669 S	1/2003	Hopely, Jr.
D491,115 S	6/2004	Taylor
D494,110 S	8/2004	Cheng
D523,788 S	6/2006	Jones et al.
D529,844 S	10/2006	Chen et al.

OTHER PUBLICATIONS

Invacare Corporation, Operator and Maintenance Manual, Pronto M51 and M61 with SureStep, 80 pages, Rev. J—Oct. 2008, copyright 2008.

Invacare Corporation, User Manual, FDX Power Wheelchair Base FDX, FDX-CG, FDX-MCG, 96 pages, Rev. A—Apr. 2010, copyright 2010.

Invacare Corporation, product catalog, 14 pages, copyright 2004, printed Feb. 18, 2011.

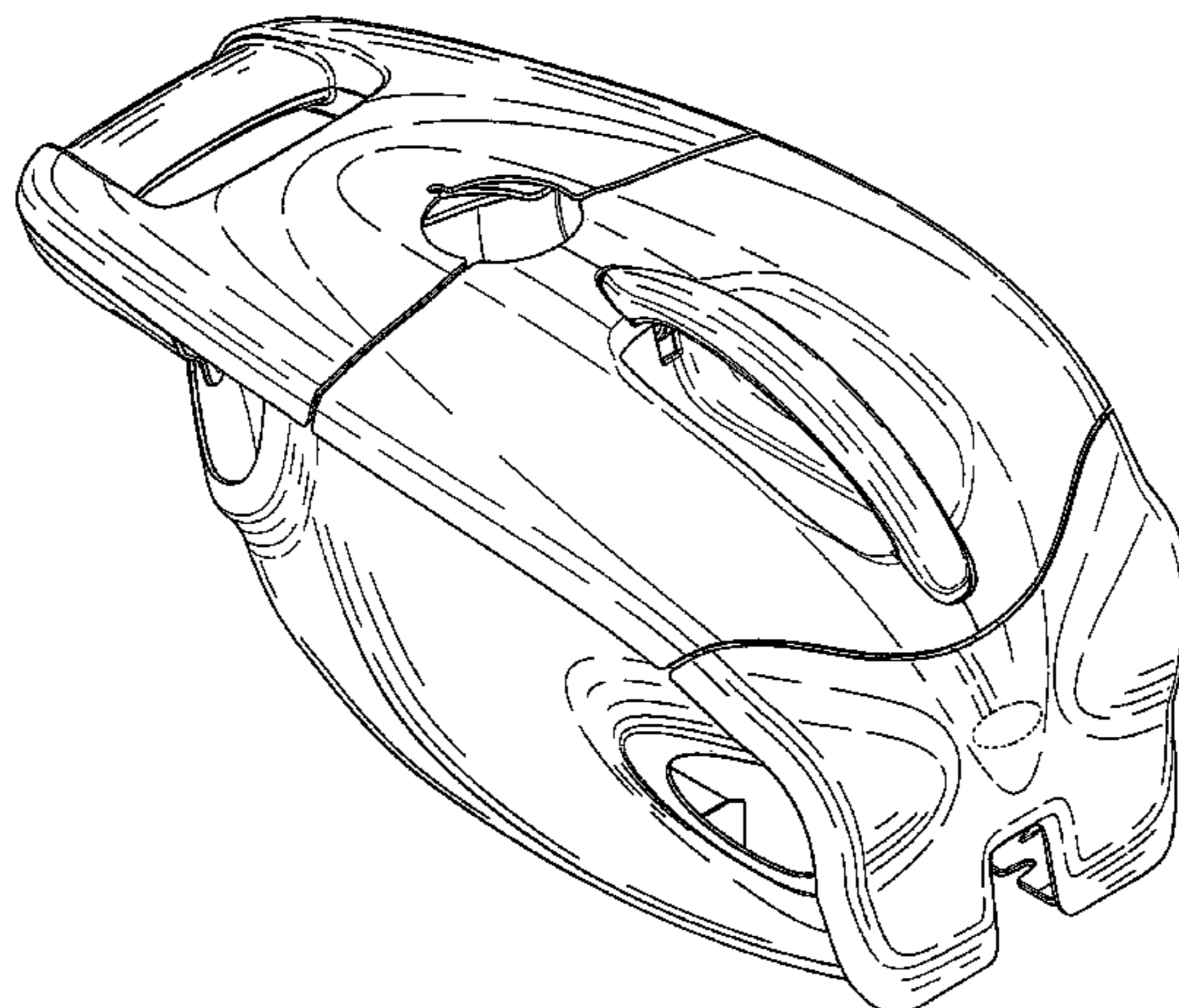
Invacare Corporation, At'm (Take Along Chair) brochure, 2 pages, copyright 2009.

Invacare Corporation, FDX Front-Wheel Drive Power Wheelchair brochure, 4 pages, copyright 2010.

Invacare Corporation, Nutron R51 brochure, 2 pages, copyright 2006.

Invacare Corporation, P9000 XDT brochure, 2 pages, copyright 2007.

Invacare Corporation, Pronto M51 brochure, 4 pages, copyright 2010.



Invacare Corporation, Pronto M51 with Formula CG Seating website printout, 2 pages, printed Feb. 18, 2011.

Invacare Corporation, The New TDX Family brochure, 25 pages, copyright 2008.

Invacare Corporation, Storm Series brochure, 16 pages, copyright 2010.

* cited by examiner

Primary Examiner — Ian Simmons

Assistant Examiner — Charles Hanson

(74) *Attorney, Agent, or Firm* — Calfee, Halter & Griswold LLP

(57) **CLAIM**

The ornamental design for a wheelchair shroud, as shown and described.

DESCRIPTION

FIG. 1 is an upper perspective view of a wheelchair shroud showing our new design;

FIG. 2 is a lower perspective view of the wheelchair shroud shown in FIG. 1;

FIG. 3 is a right side view of the wheelchair shroud shown in FIG. 1, the left side view being a mirror image of the right side view;

FIG. 4 is a top view of the wheelchair shroud shown in FIG. 1;

FIG. 5 is a bottom view of the wheelchair shroud shown in FIG. 1;

FIG. 6 is a front view of the wheelchair shroud shown in FIG. 1;

FIG. 7 is a rear view of the wheelchair shroud shown in FIG. 1;

FIG. 8 is a perspective view of the front shroud member of the wheelchair shroud shown separately from FIG. 1 for ease of illustration;

FIG. 9 is a right side view of the front shroud member shown in FIG. 8, the left side view being a mirror image of the right side view;

FIG. 10 is a front view of the front shroud member shown in FIG. 8;

FIG. 11 is a rear view of the front shroud member shown in FIG. 8;

FIG. 12 is a top view of the front shroud member shown in FIG. 8;

FIG. 13 is a bottom view of the front shroud member shown in FIG. 8;

FIG. 14 is a perspective view of the top shroud member of the wheelchair shroud shown separately from FIG. 1 for ease of illustration;

FIG. 15 is a right side view of the top shroud member shown in FIG. 14, the left side view being a mirror image of the right side view;

FIG. 16 is a top view of the top shroud member shown in FIG. 14;

FIG. 17 is a bottom view of the top shroud member shown in FIG. 14;

FIG. 18 is a front view of the top shroud member shown in FIG. 14;

FIG. 19 is a rear view of the top shroud member shown in FIG. 14;

FIG. 20 is a perspective view of the rear shroud member of the wheelchair shroud shown separately from FIG. 1 for ease of illustration;

FIG. 21 is a right side view of the rear shroud member shown in FIG. 20, the left side view being a mirror image of the right side view;

FIG. 22 is a top view of the rear shroud member shown in FIG. 20;

FIG. 23 is a bottom view of the rear shroud member shown in FIG. 20;

FIG. 24 is a rear view of the rear shroud member shown in FIG. 20;

FIG. 25 is a front view of the rear shroud member shown in FIG. 20;

FIG. 26 is a perspective view of the bottom shroud member of the wheelchair shroud shown separately from FIG. 1 for ease of illustration;

FIG. 27 is a right side view of the bottom shroud member shown in FIG. 26;

FIG. 28 is a left side view of the bottom shroud member shown in FIG. 26;

FIG. 29 is a bottom view of the bottom shroud member shown in FIG. 26;

FIG. 30 is a top view of the bottom shroud member shown in FIG. 26;

FIG. 31 is a rear view of the bottom shroud member shown in FIG. 26; and,

FIG. 32 is a front view of the bottom shroud member shown in FIG. 26.

The broken lines shown in the drawings are for illustrative purposes only and form no part of the claimed design. The surface shading illustrated in the drawings is provided merely to highlight the contour of the design and is not intended to be illustrative texture or gloss.

1 Claim, 26 Drawing Sheets

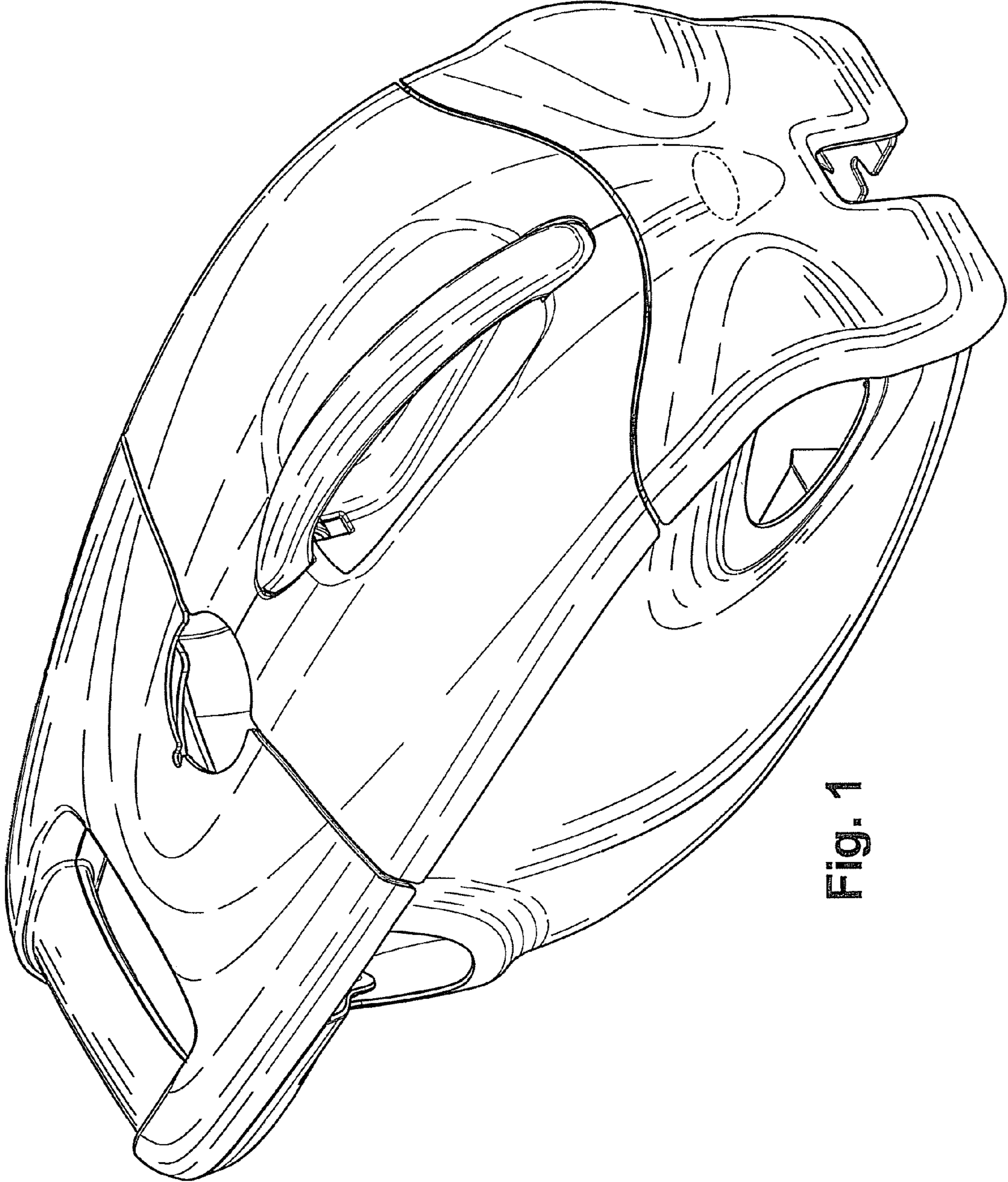


Fig. 1

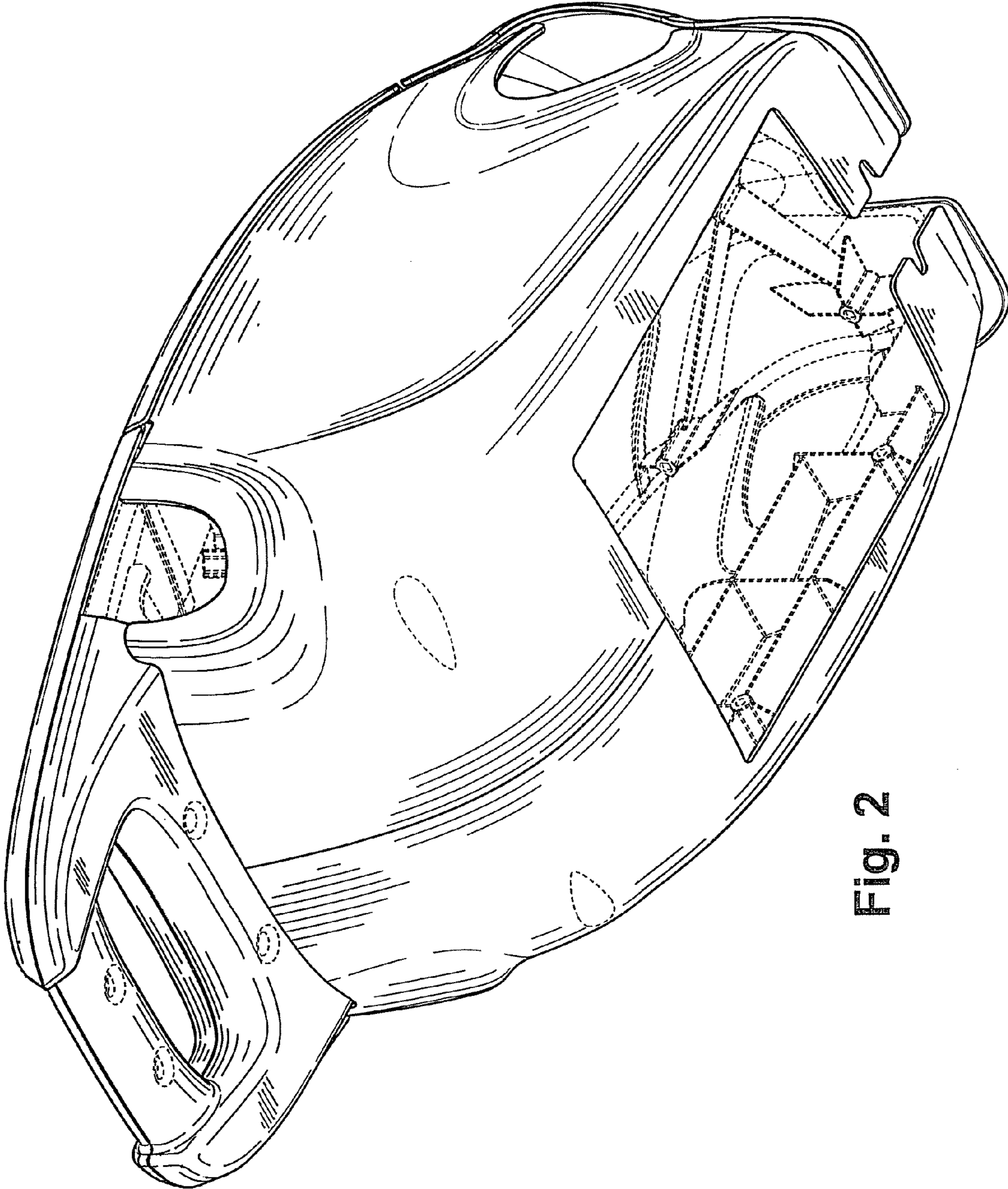


Fig. 2

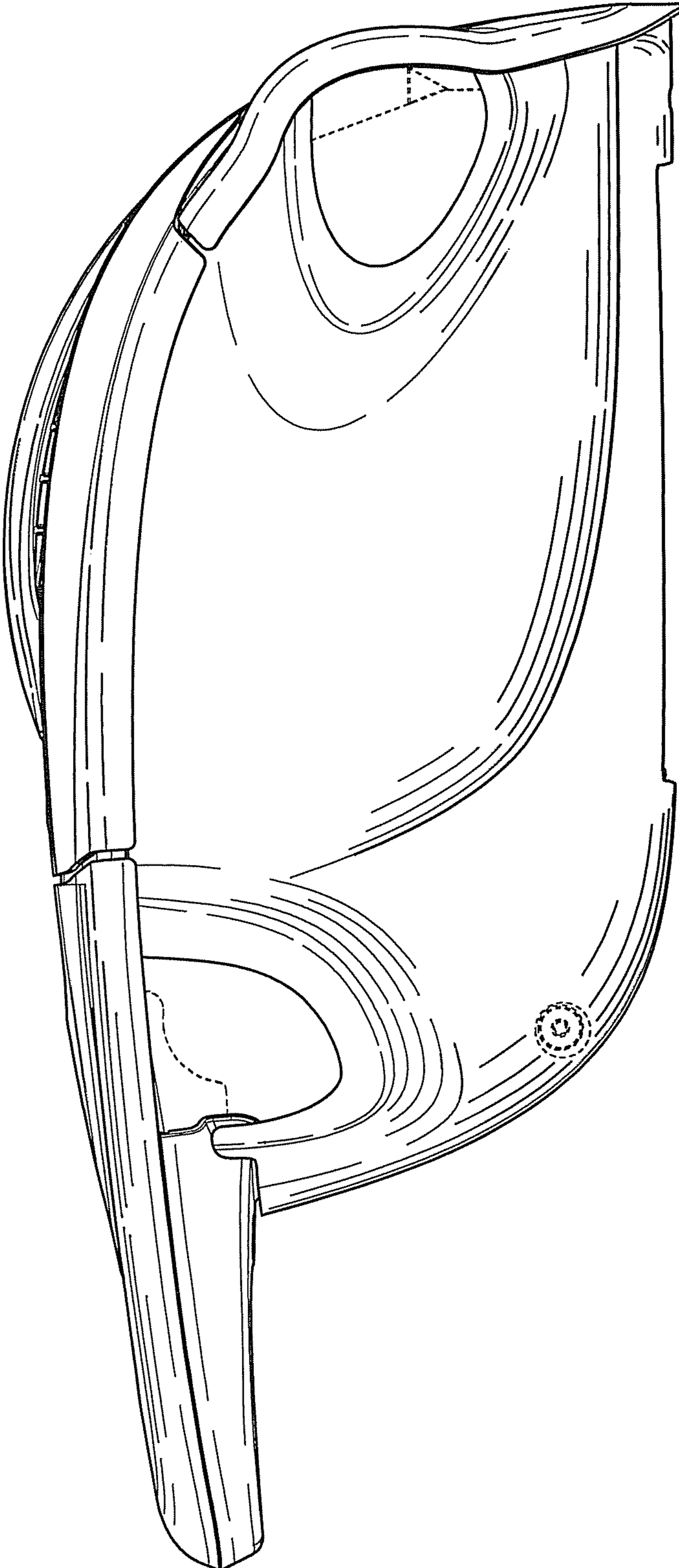


Fig. 3

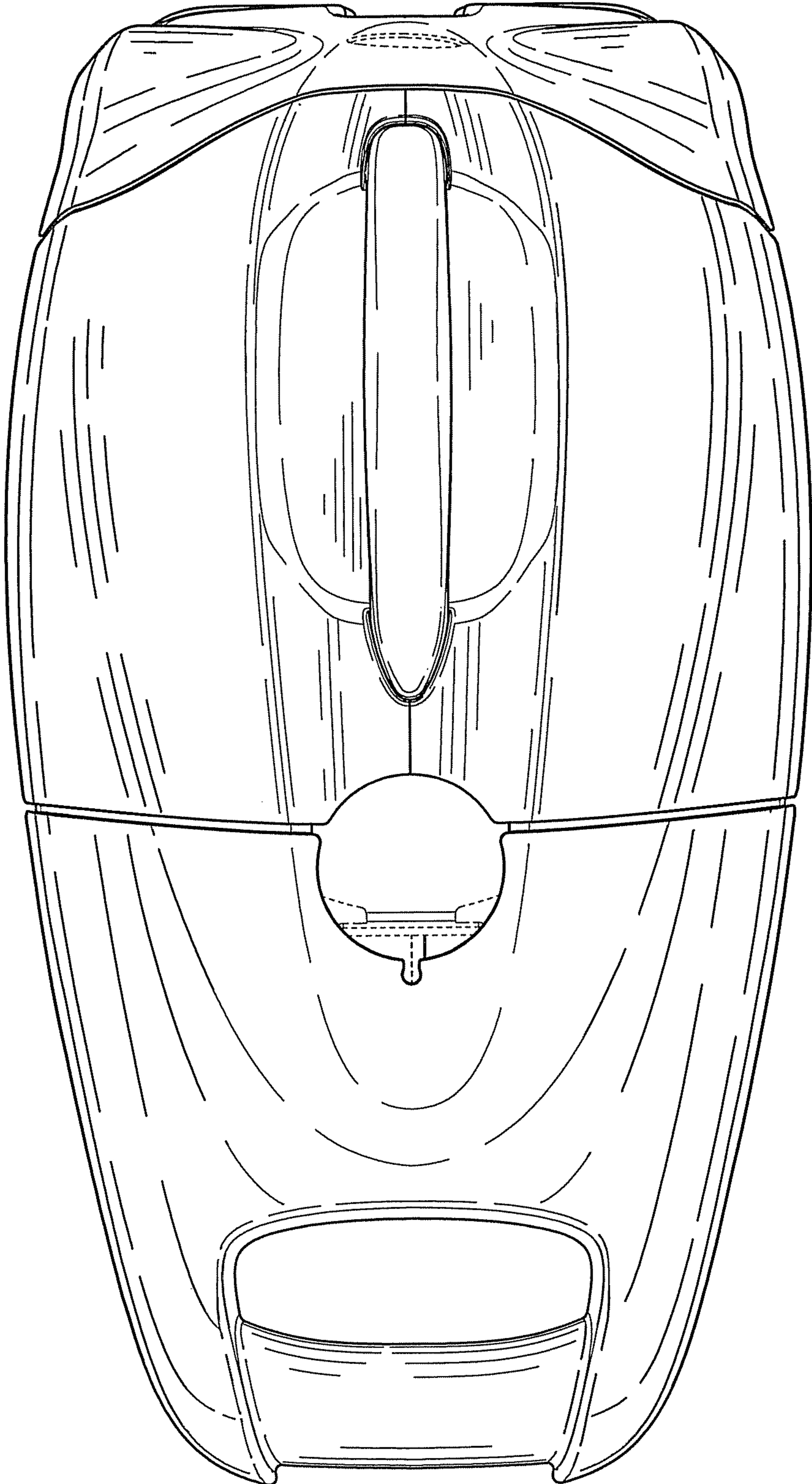


Fig. 4

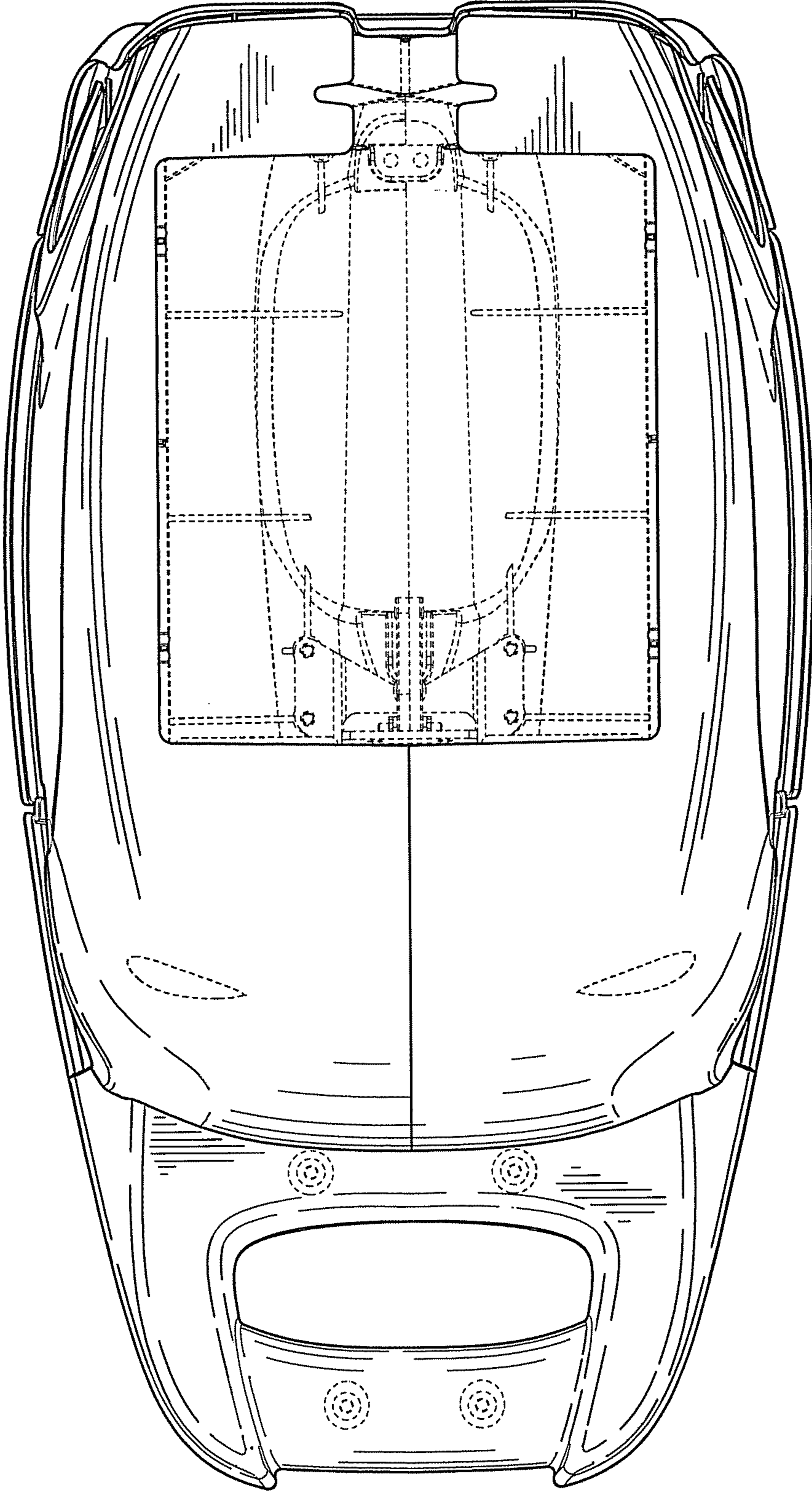


Fig. 5

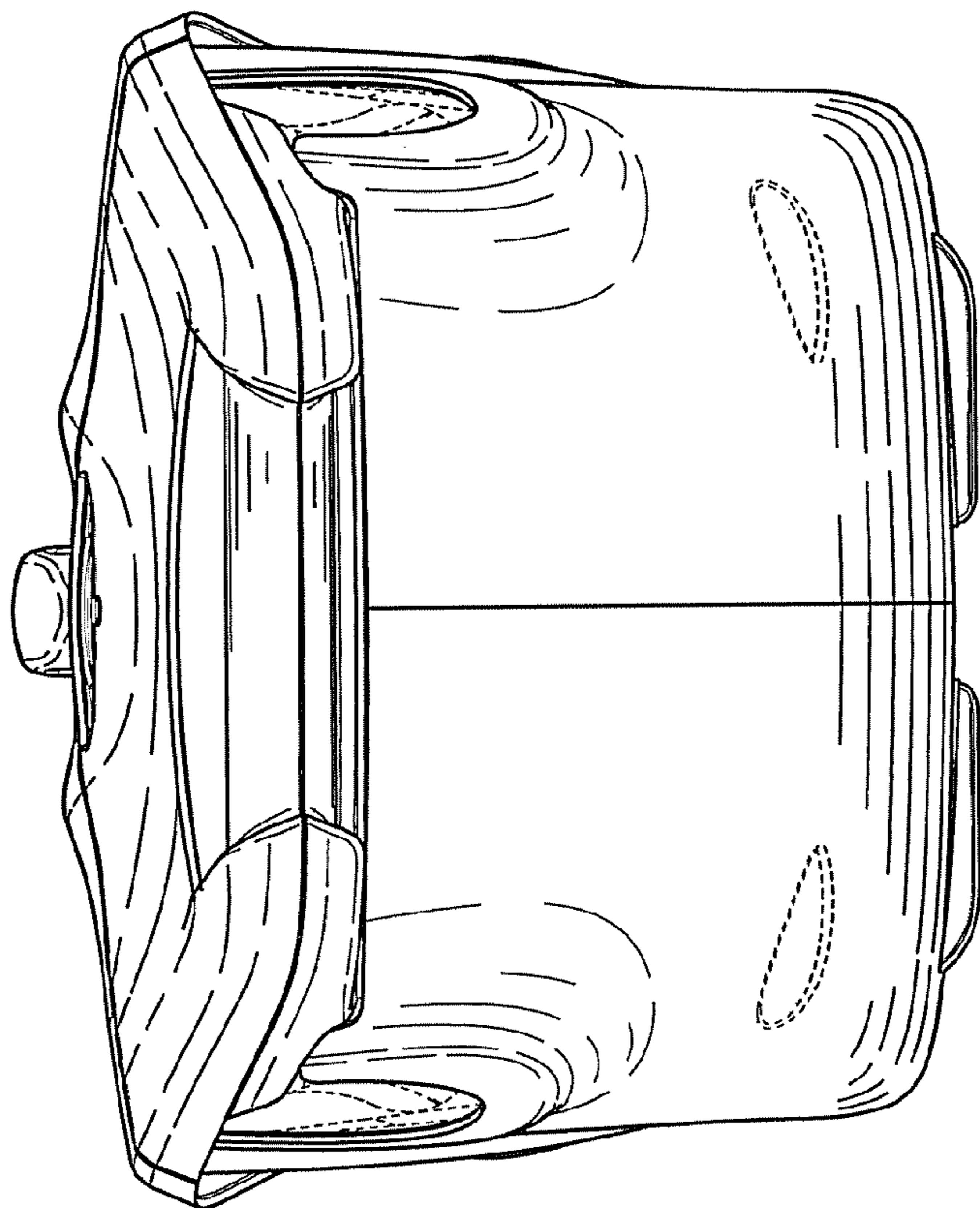


Fig. 6

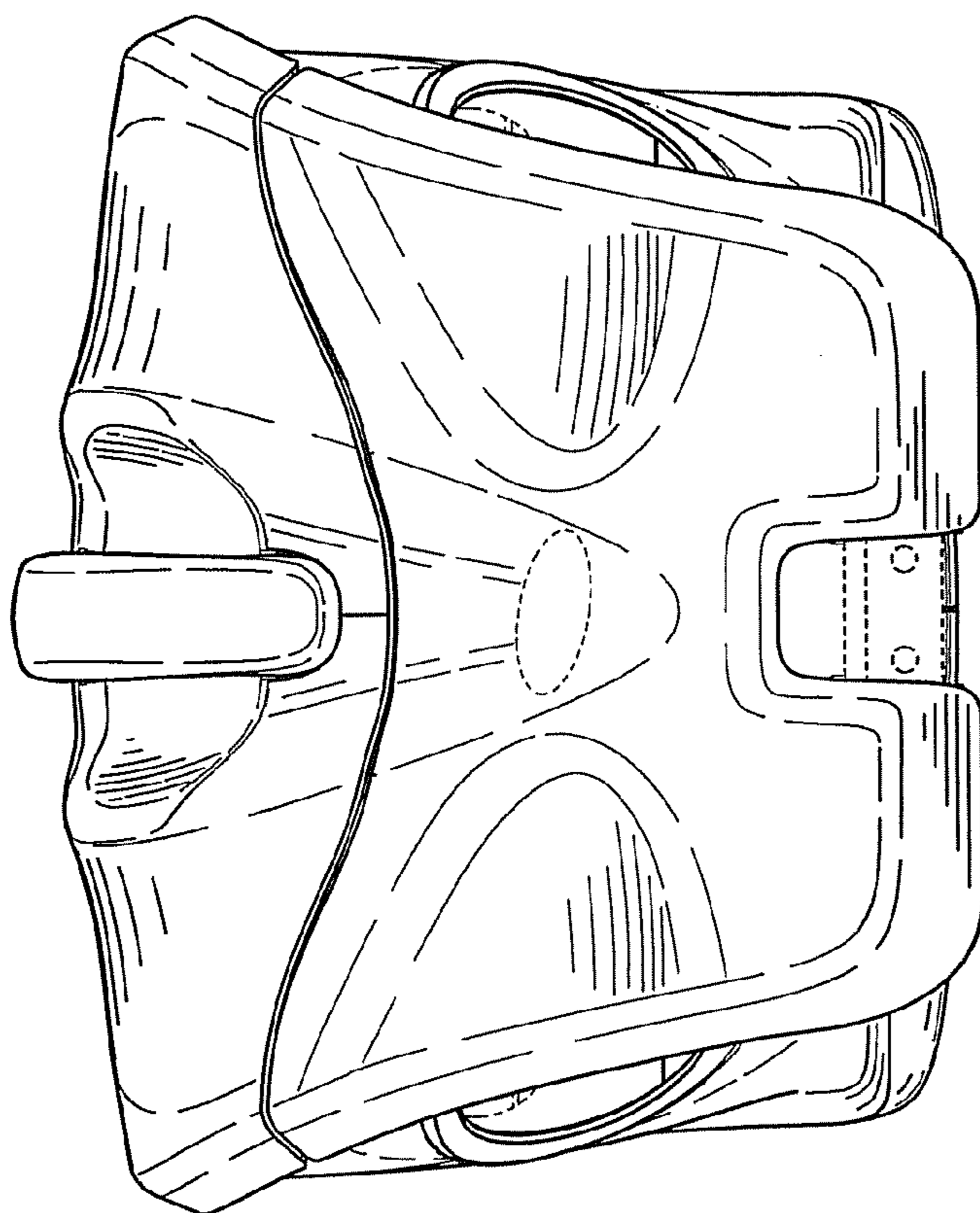


Fig. 7

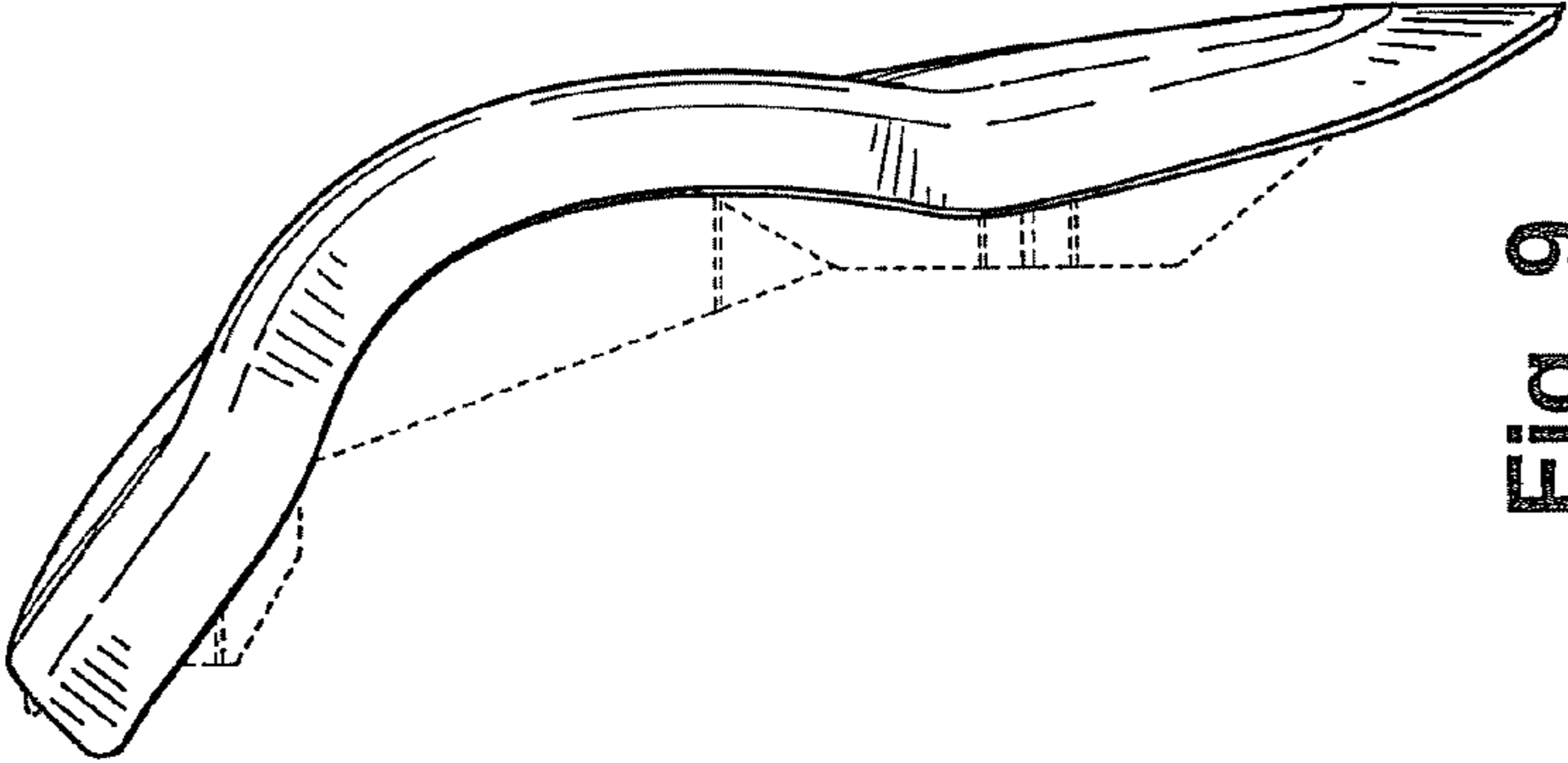


Fig. 9

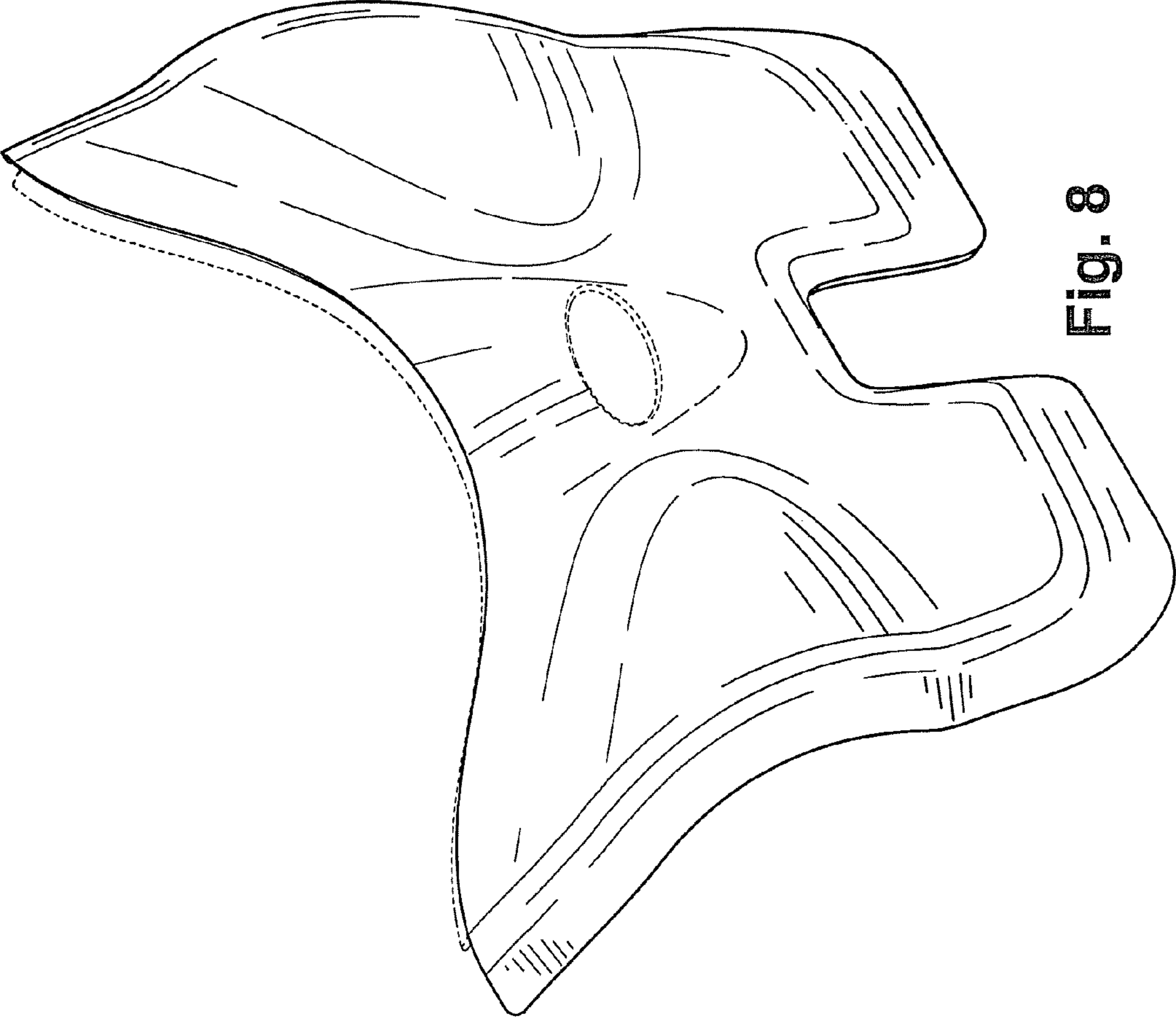


Fig. 8

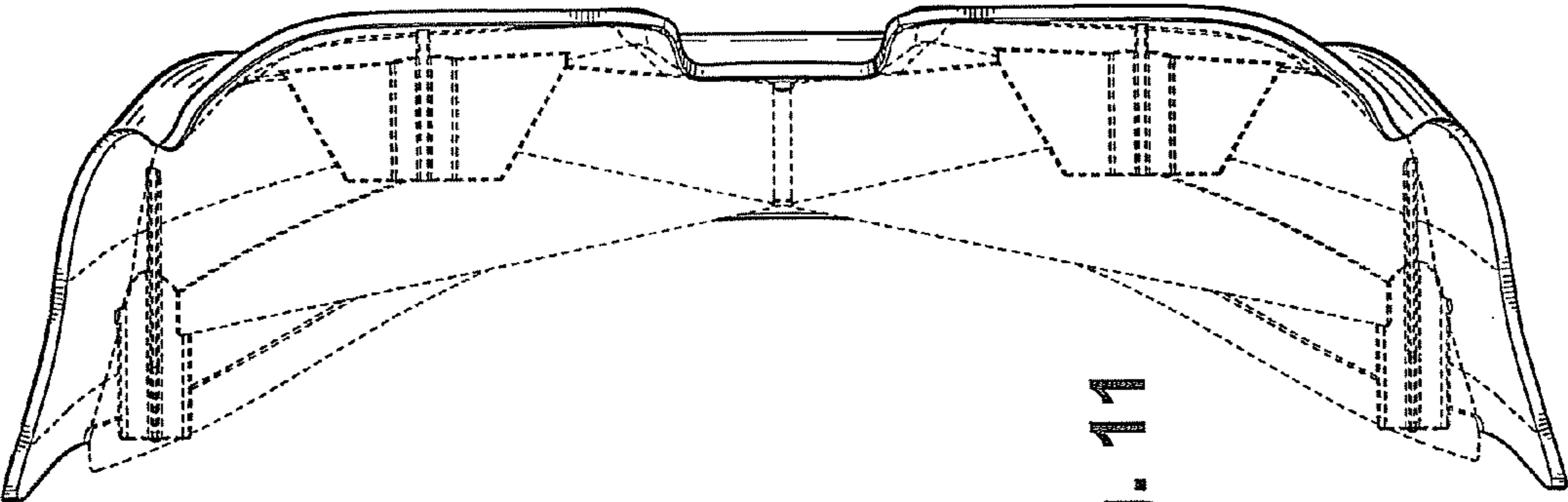


Fig. 11

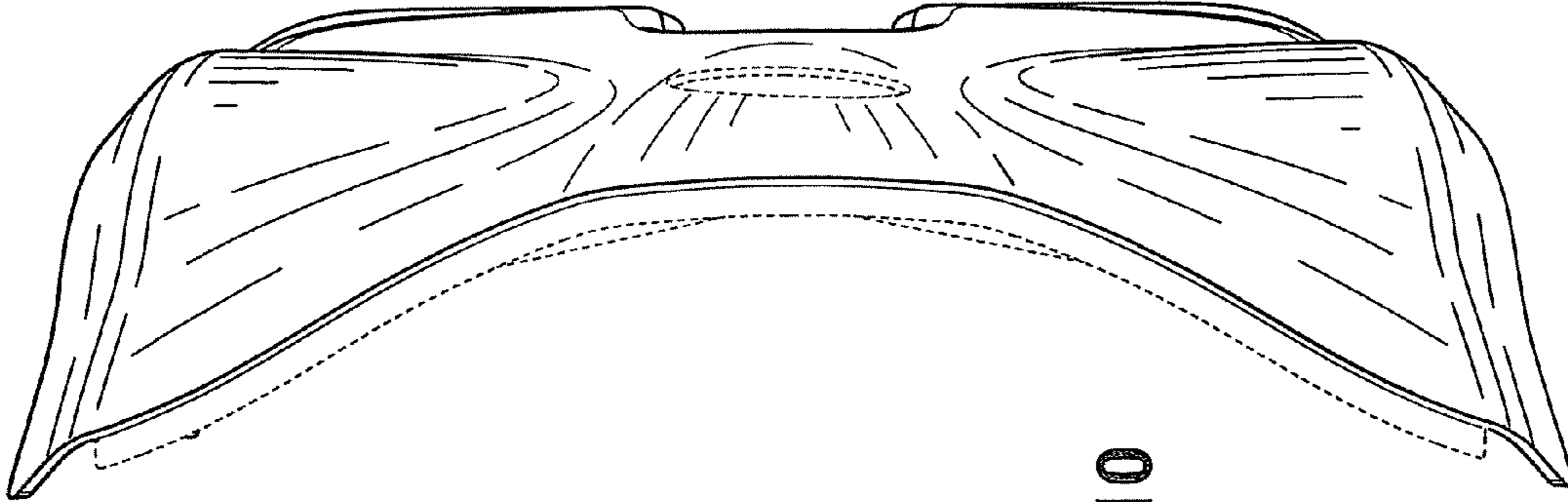


Fig. 10

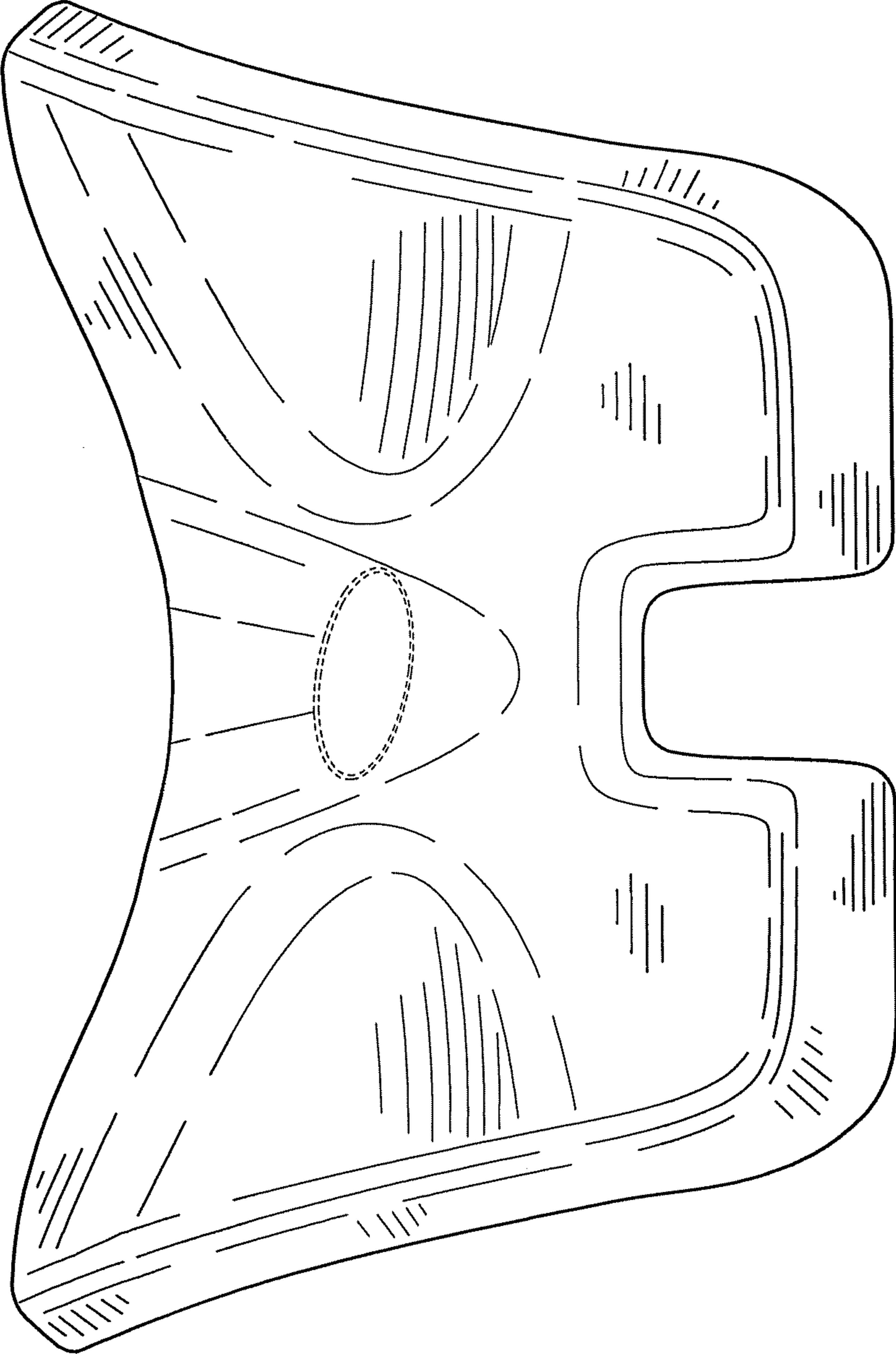


Fig. 12

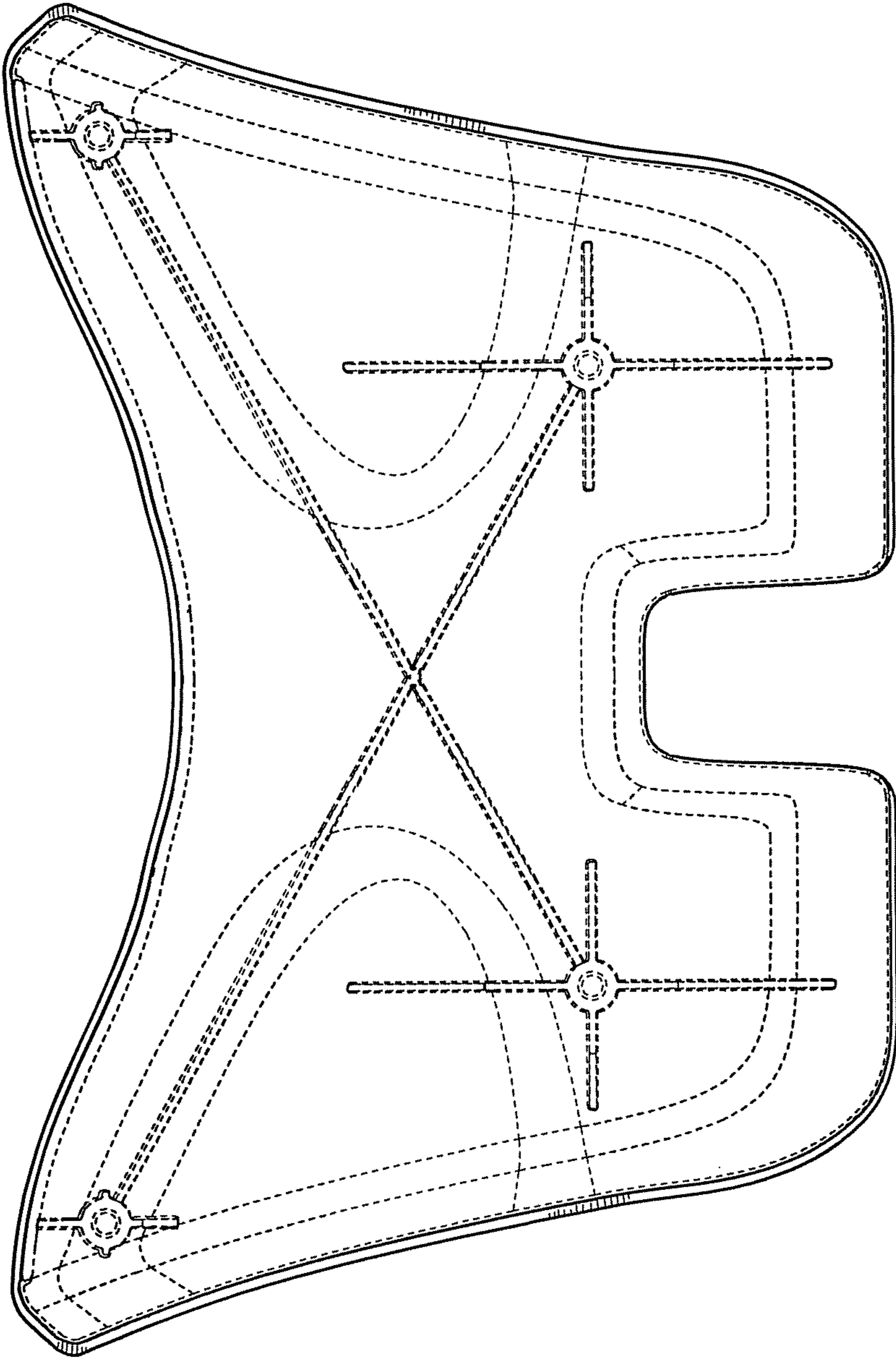


Fig. 13

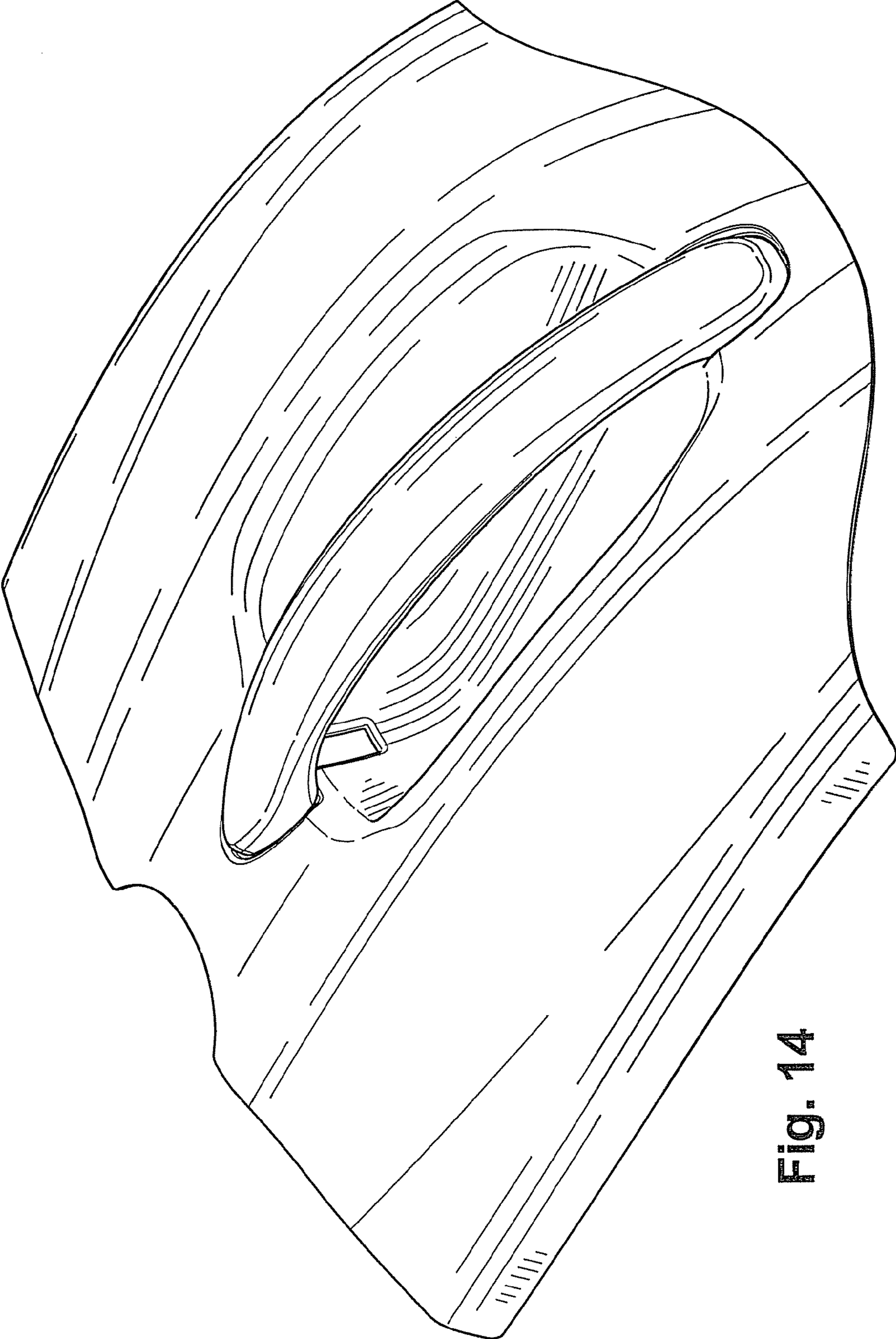


Fig. 14

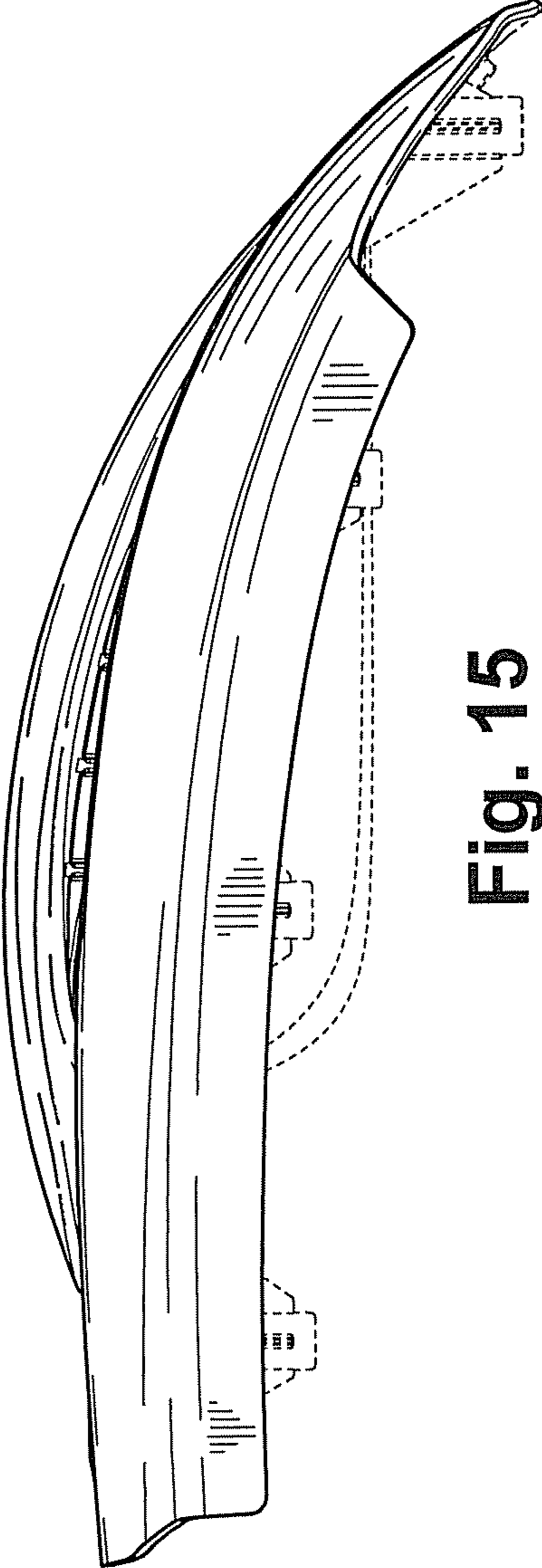


Fig. 15

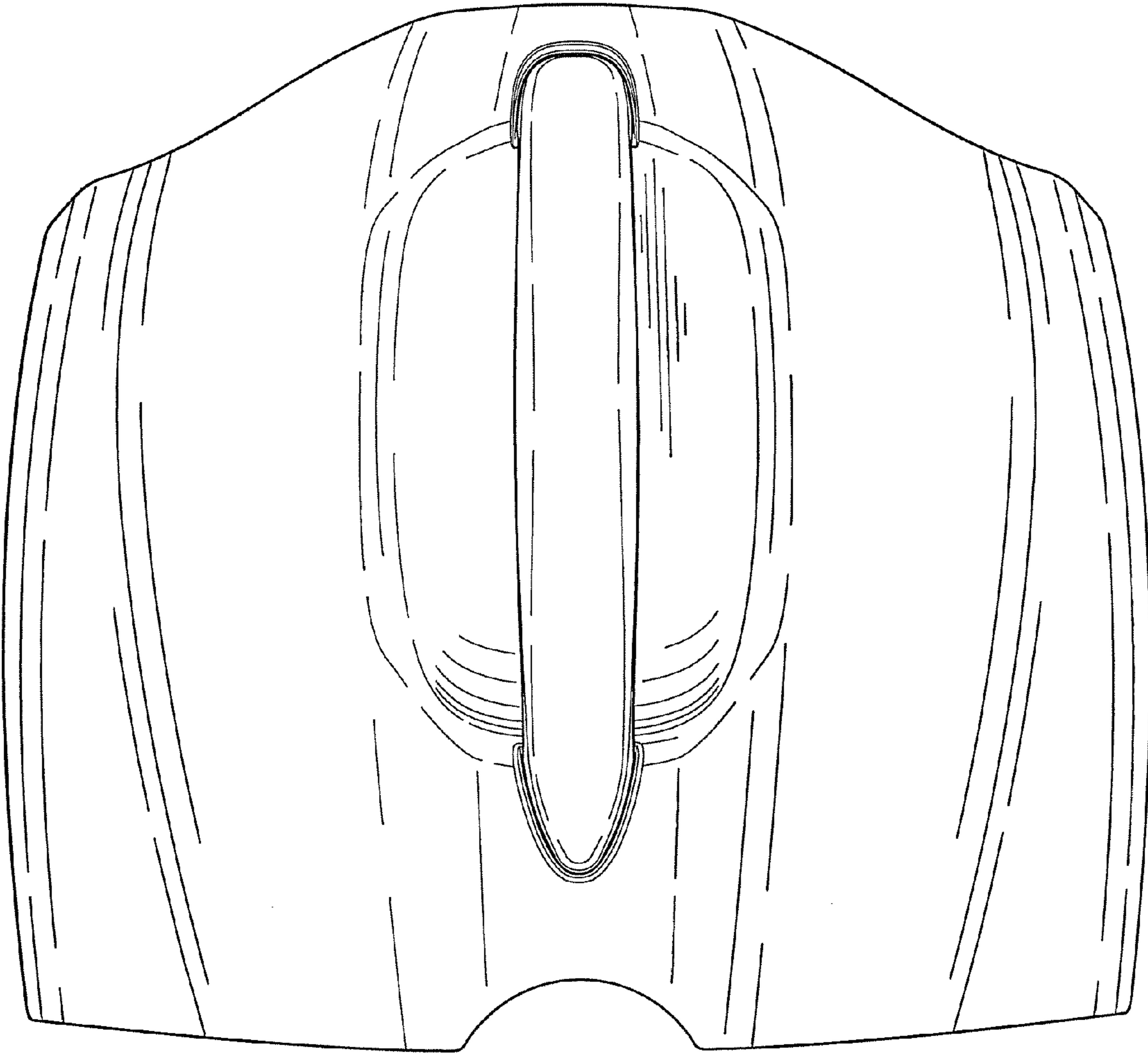


Fig. 16

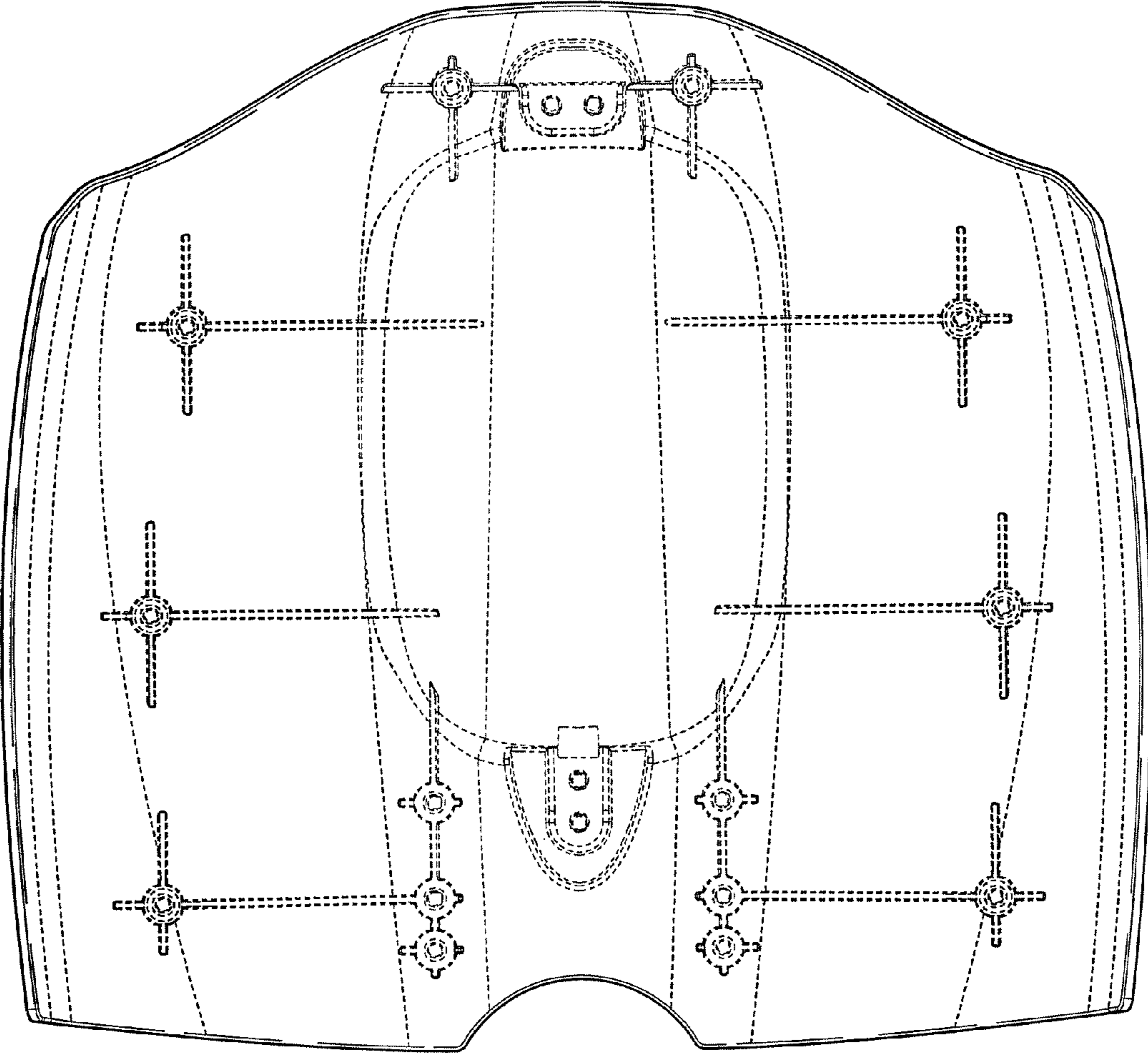


Fig. 17

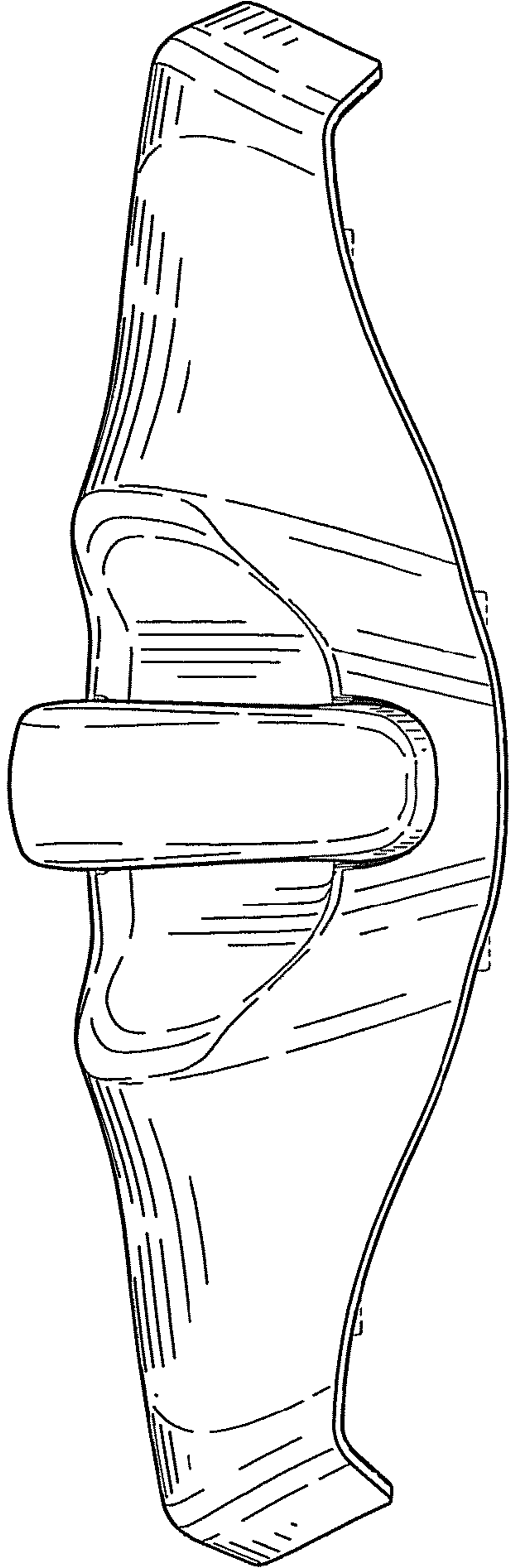


Fig. 18

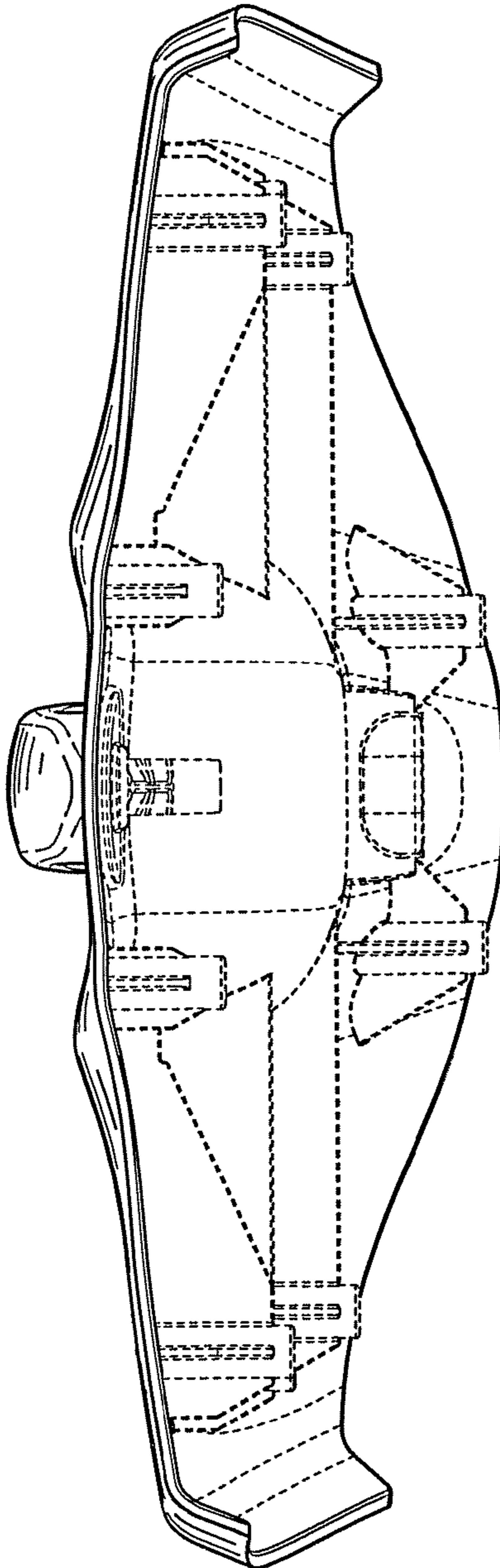


Fig. 19

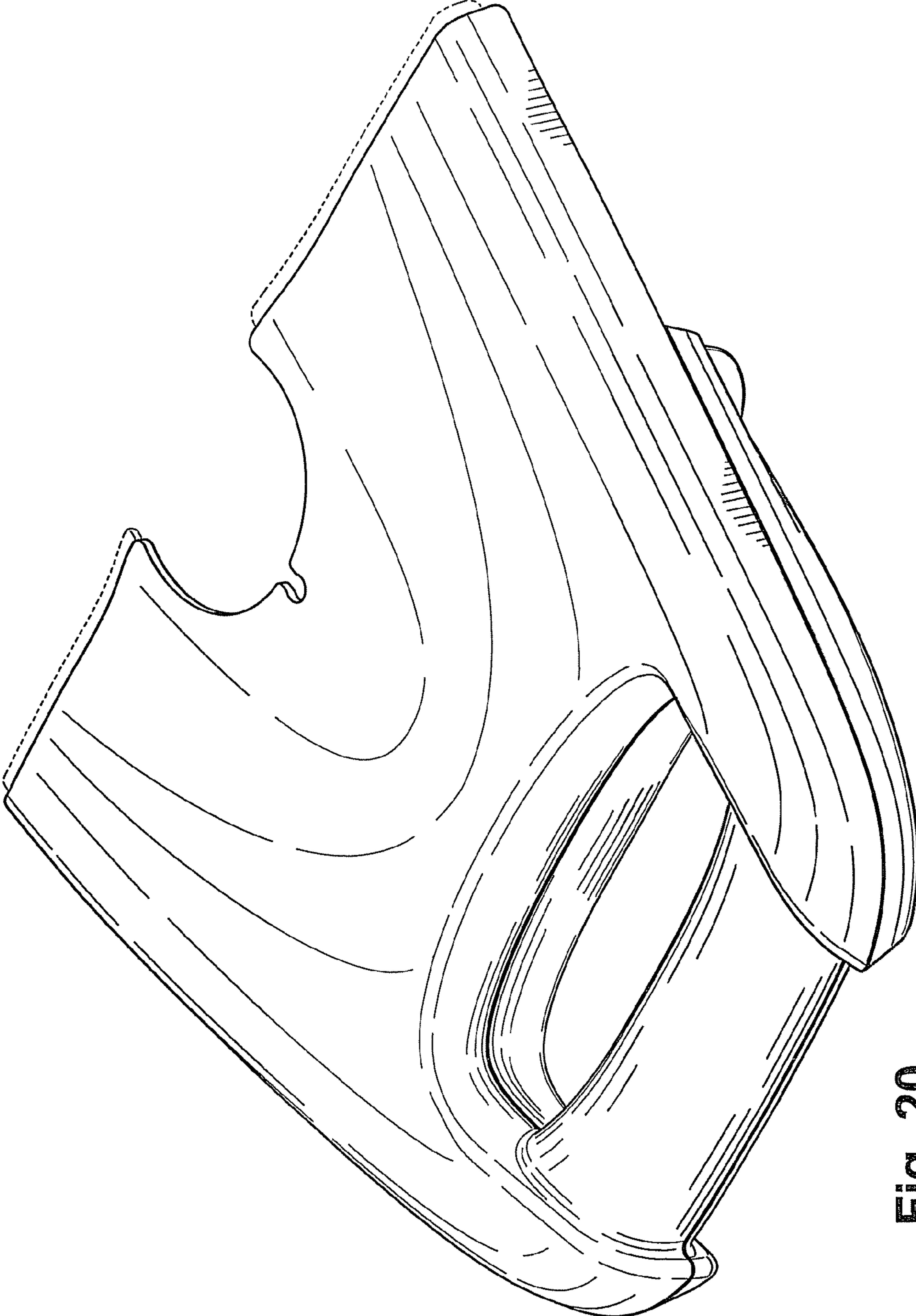


Fig. 20

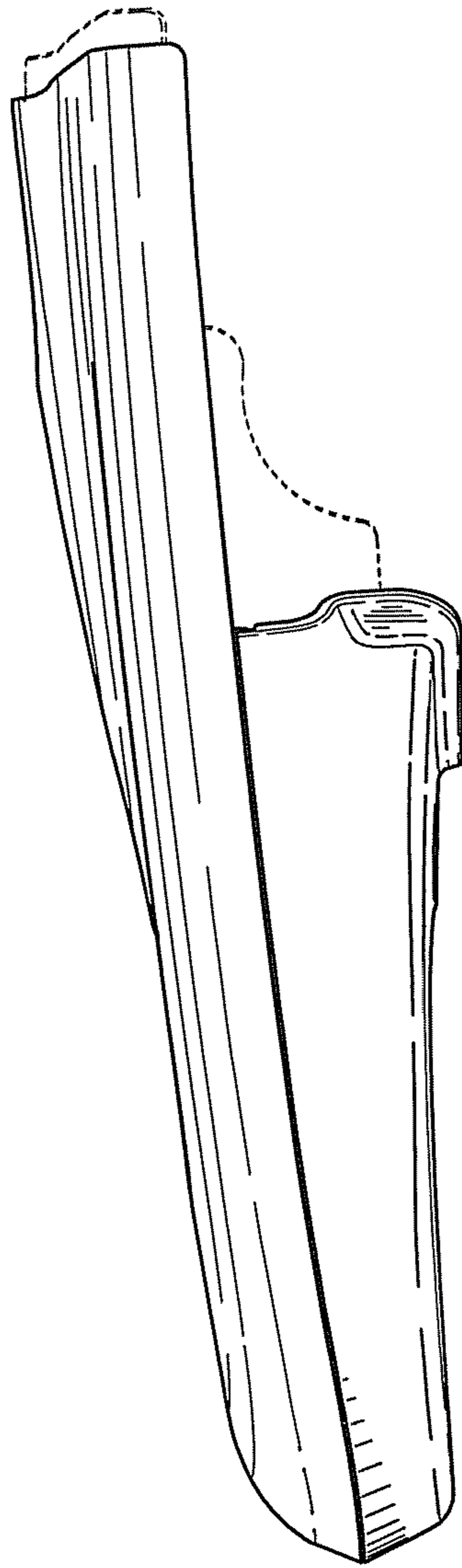


Fig. 21

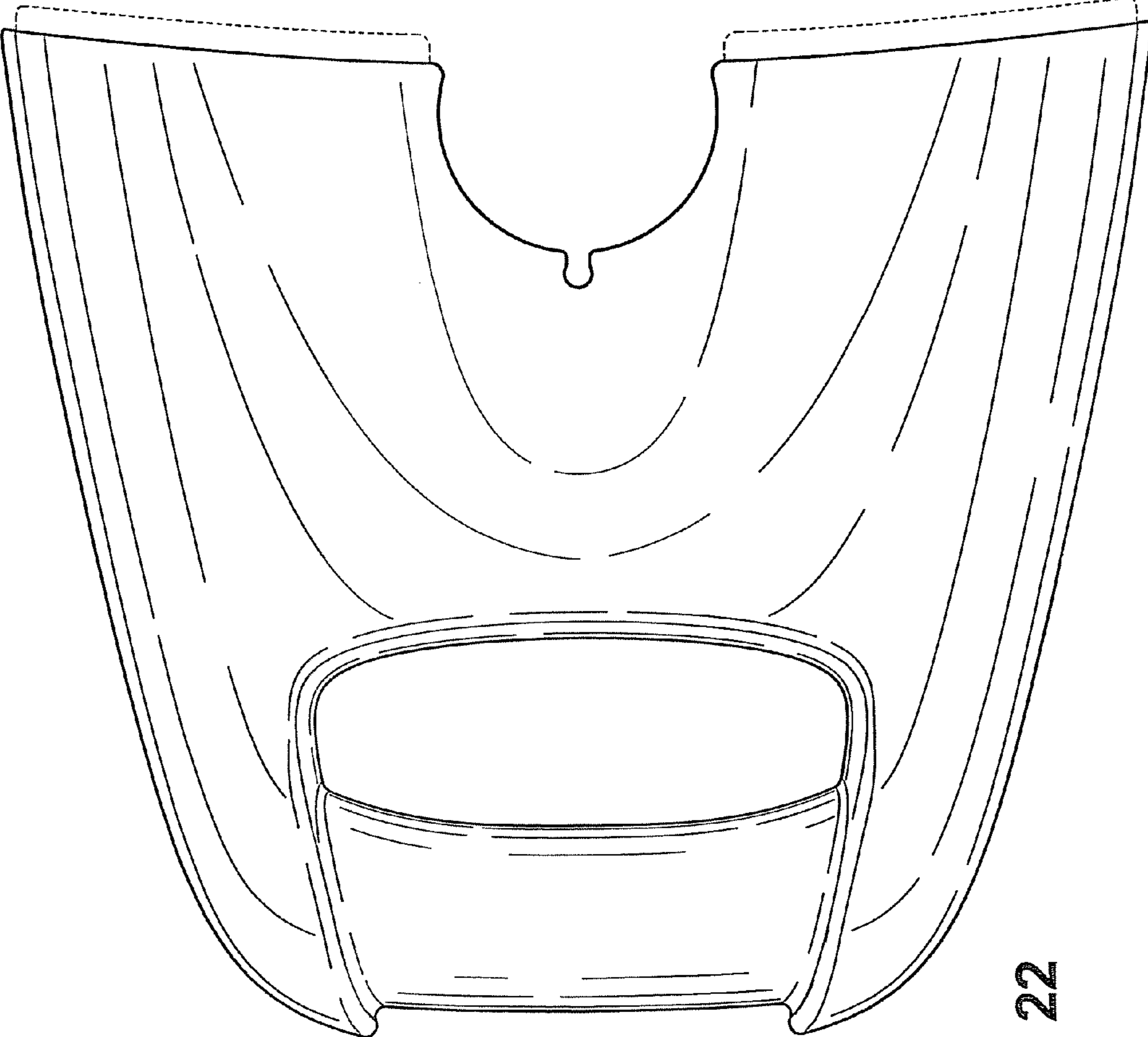


Fig. 22

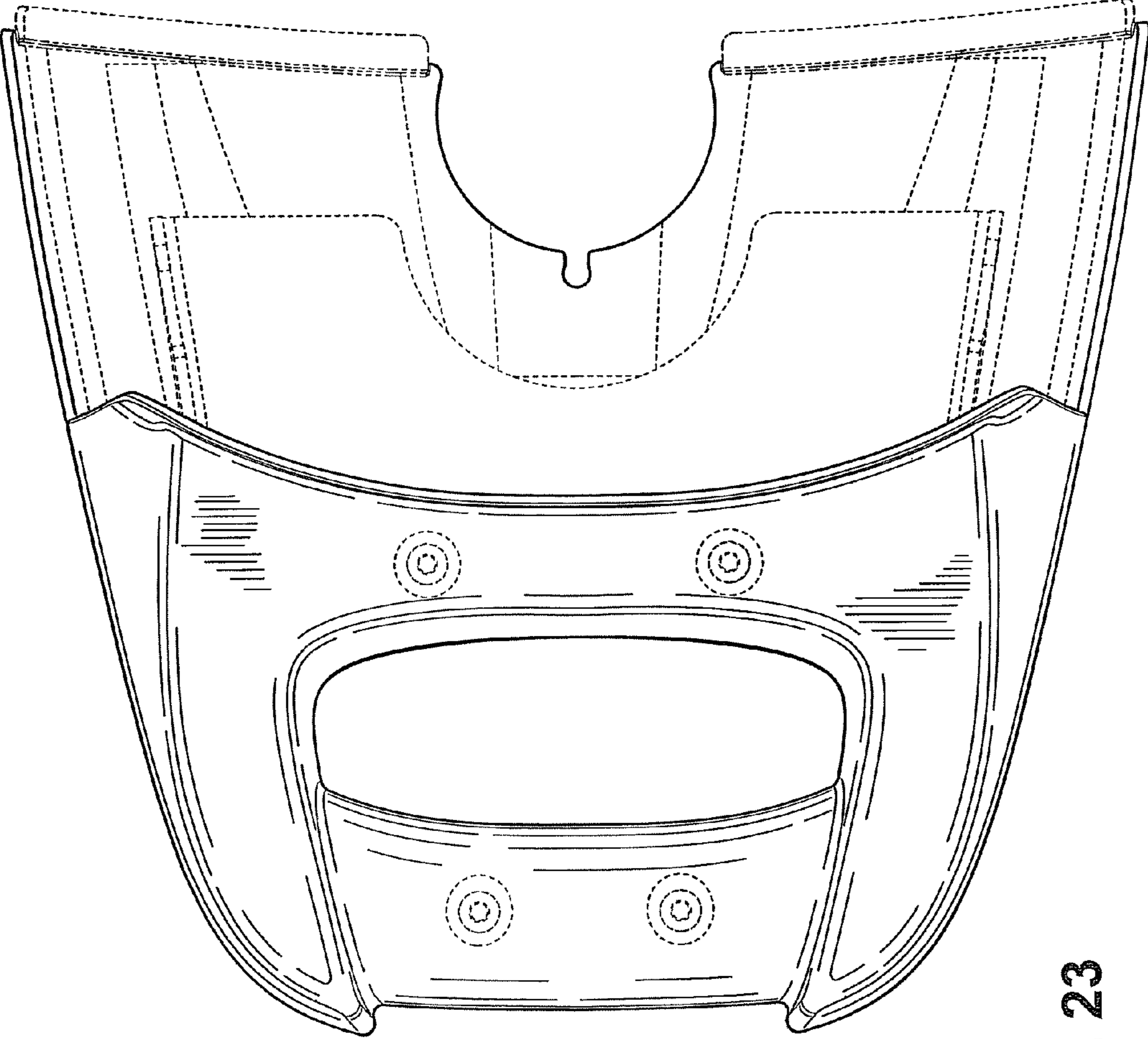


Fig. 23

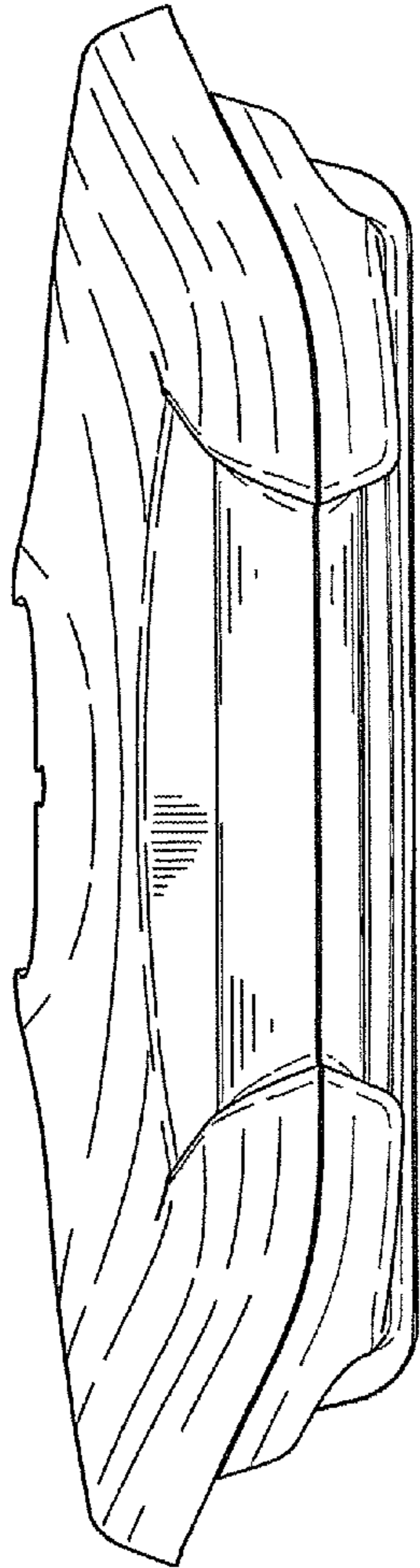


Fig. 24

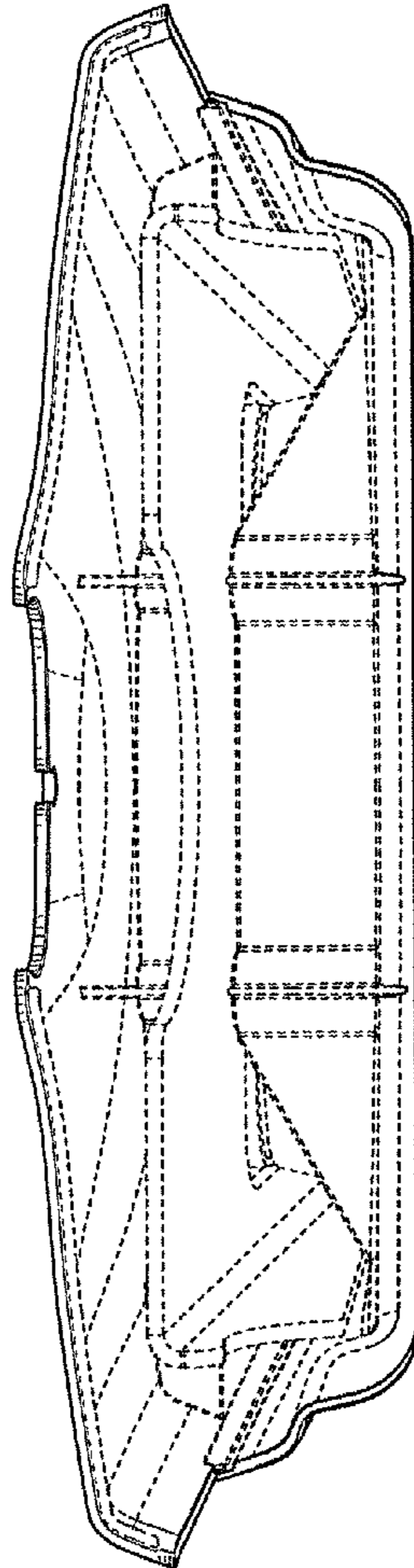


Fig. 25

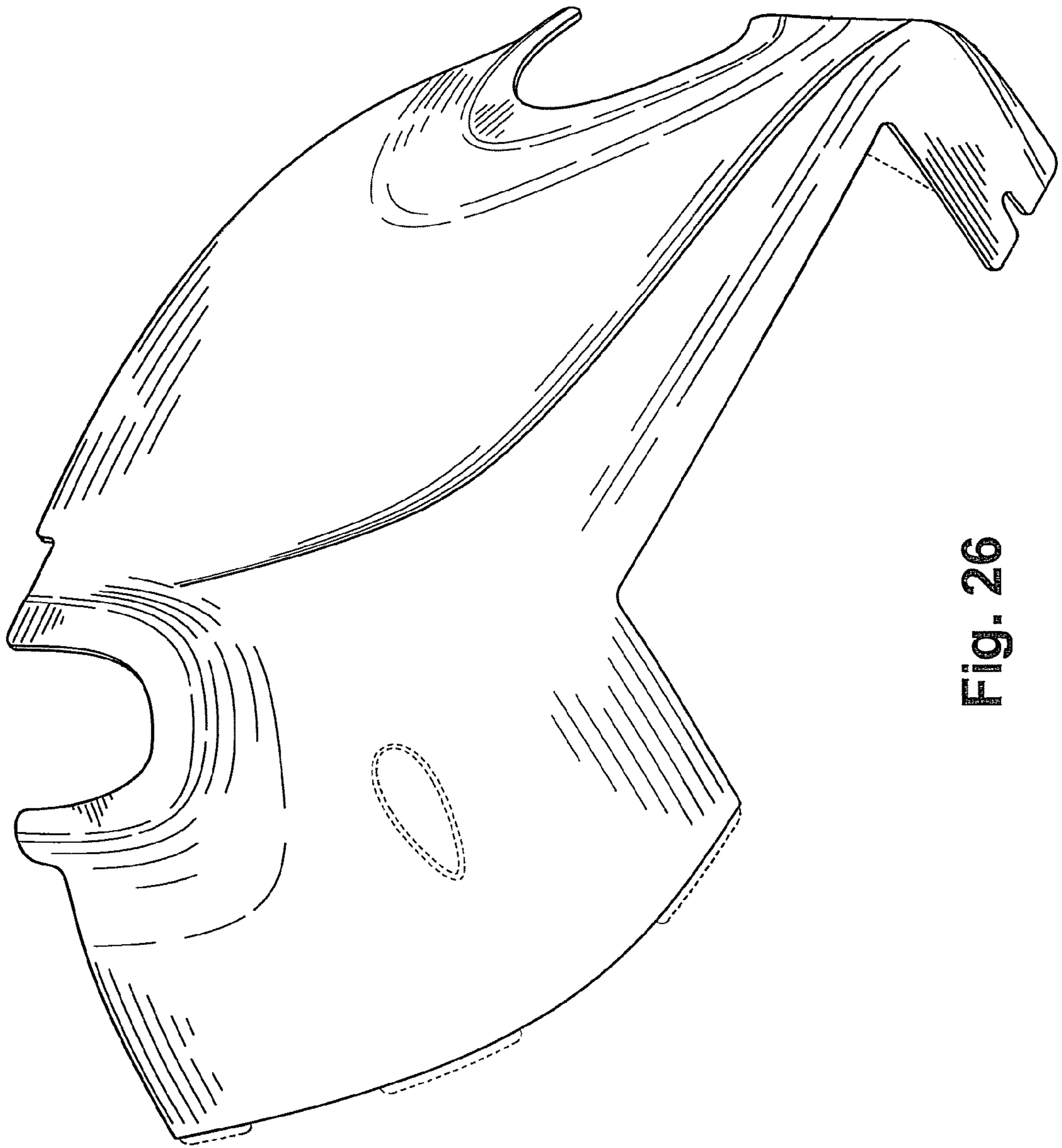


Fig. 26

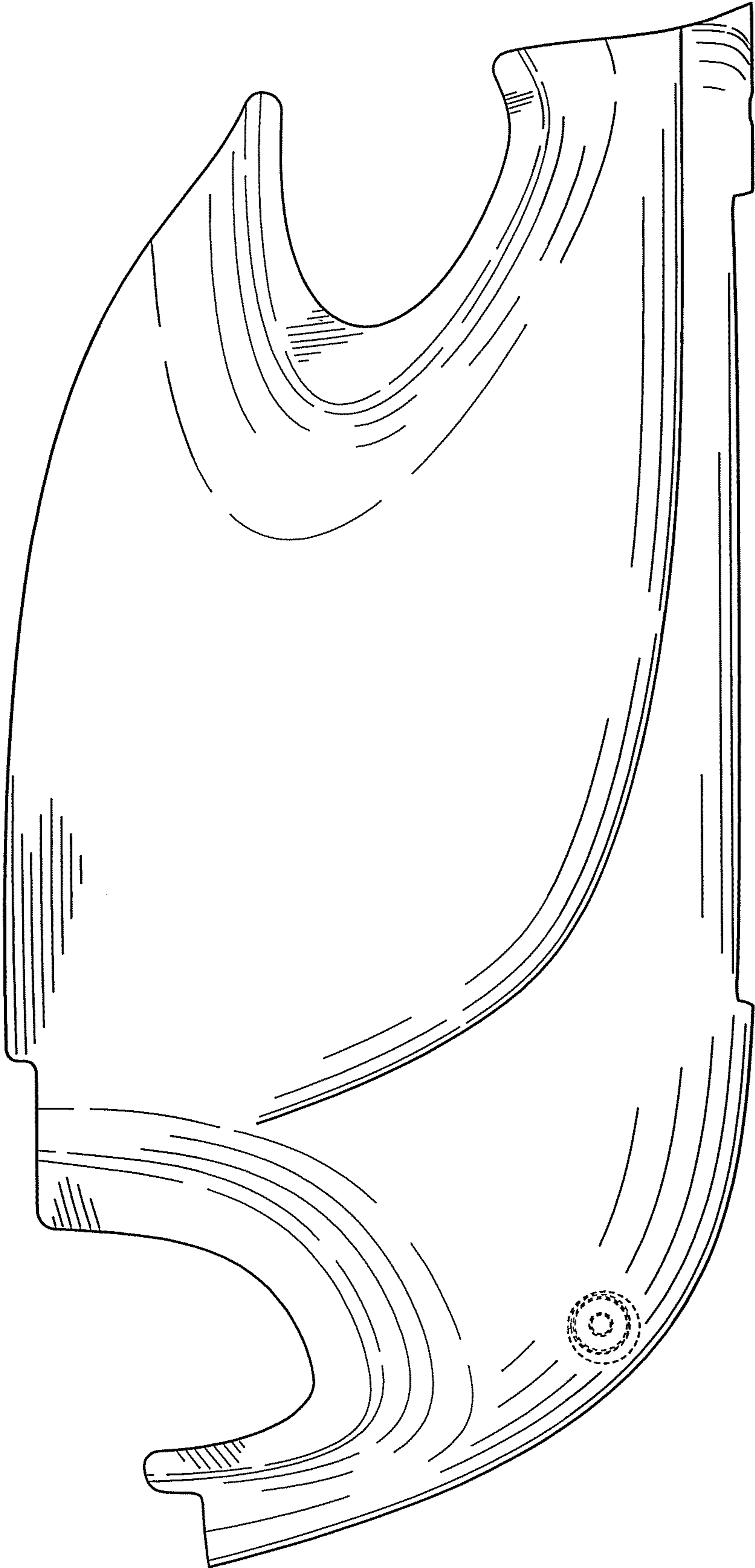


Fig. 27

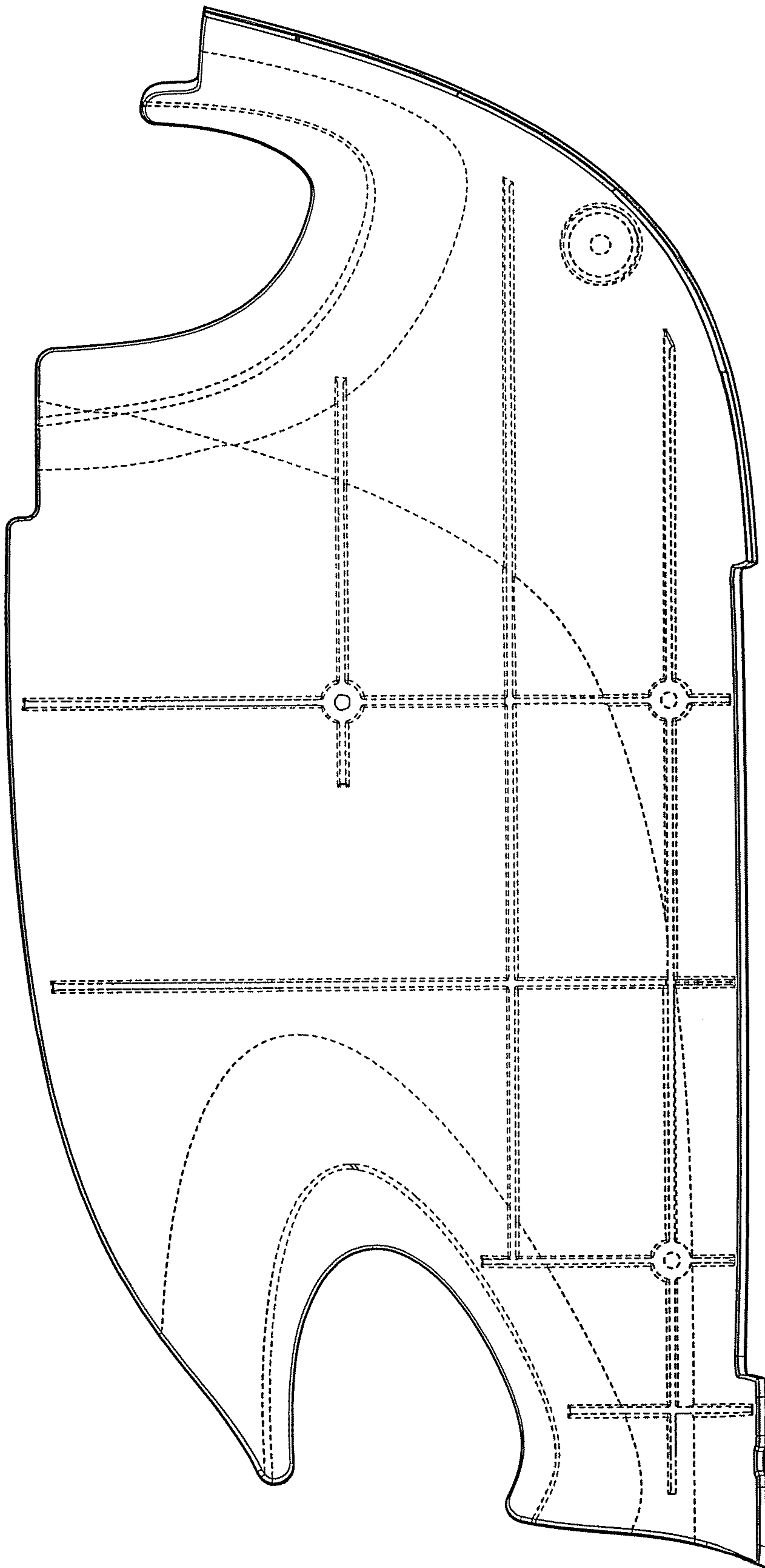


Fig. 28

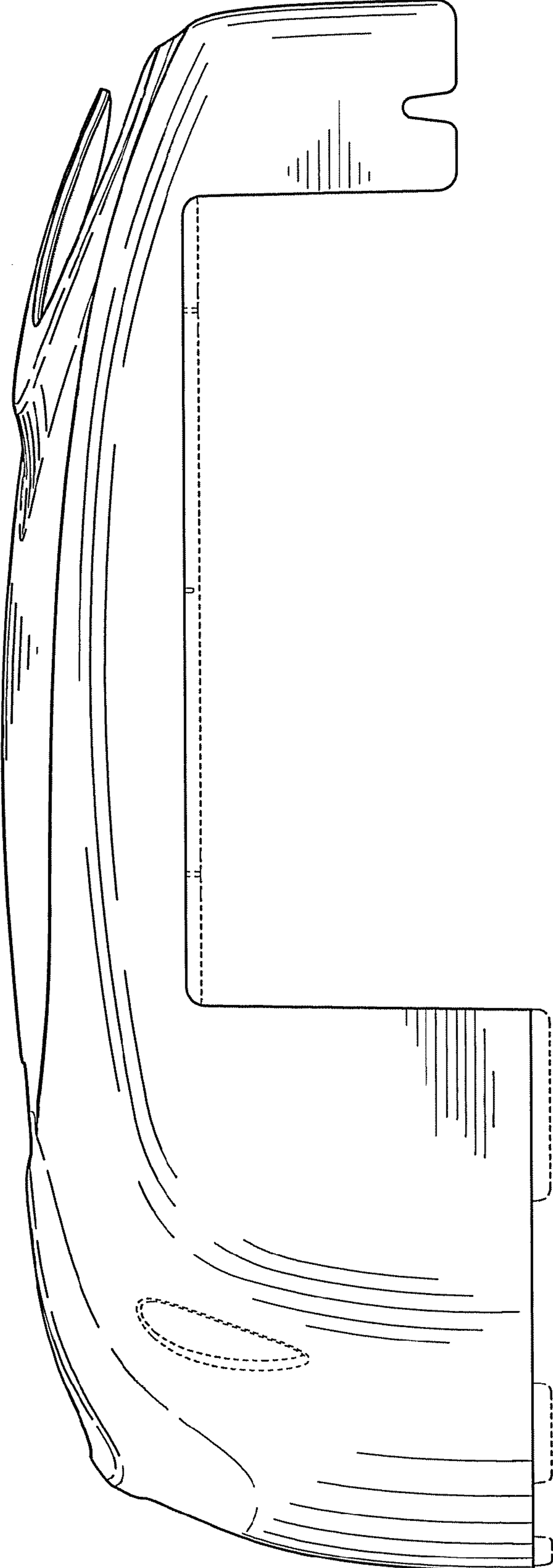


Fig. 29

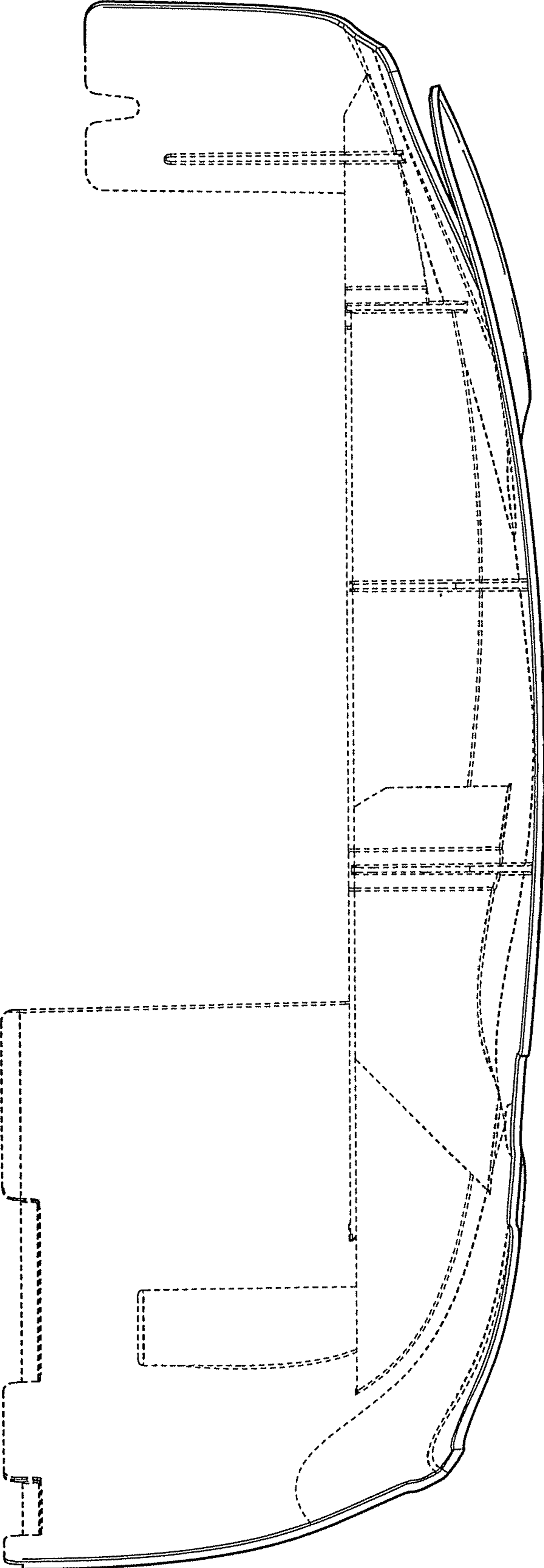


Fig. 30

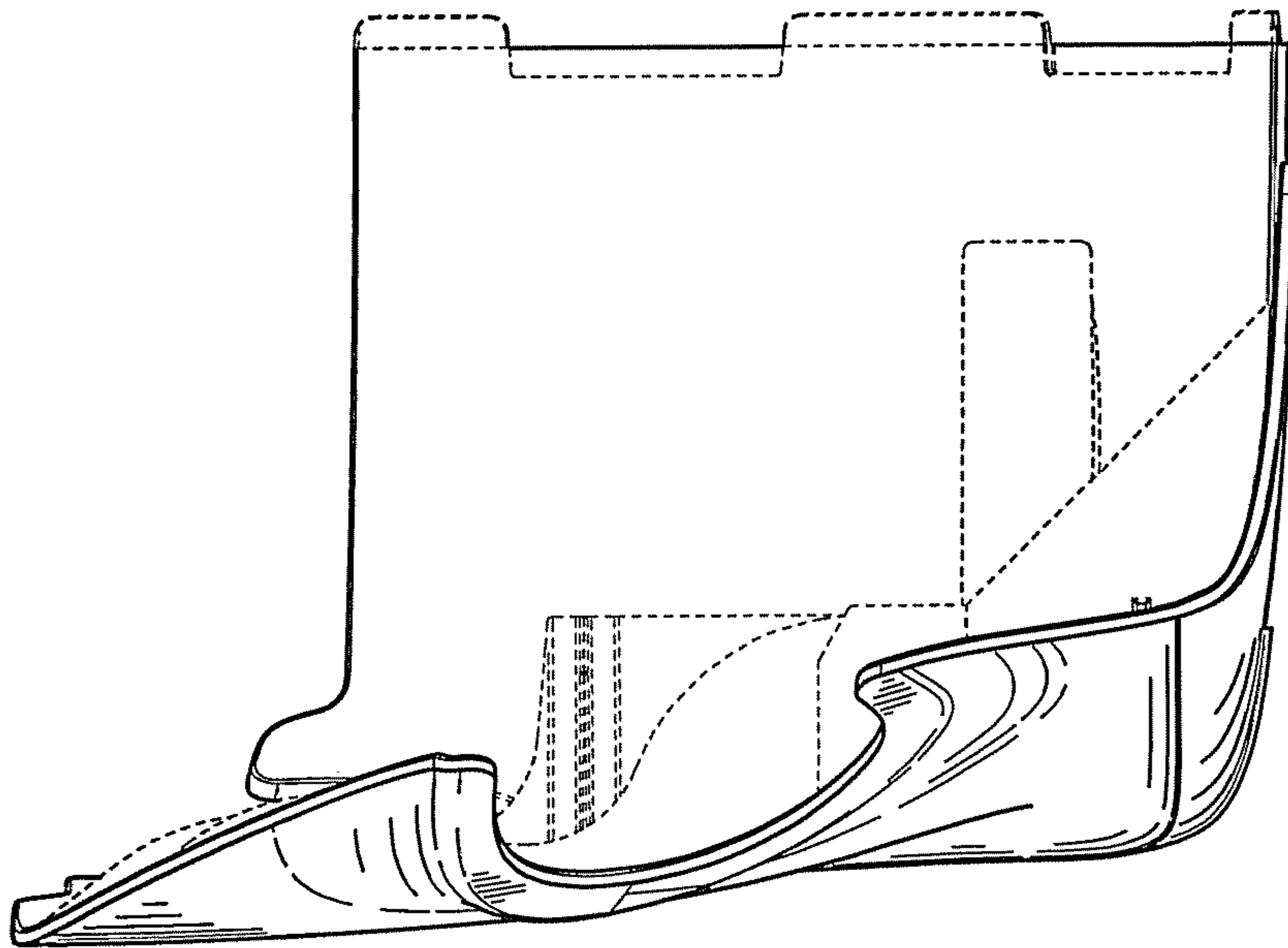


Fig. 32

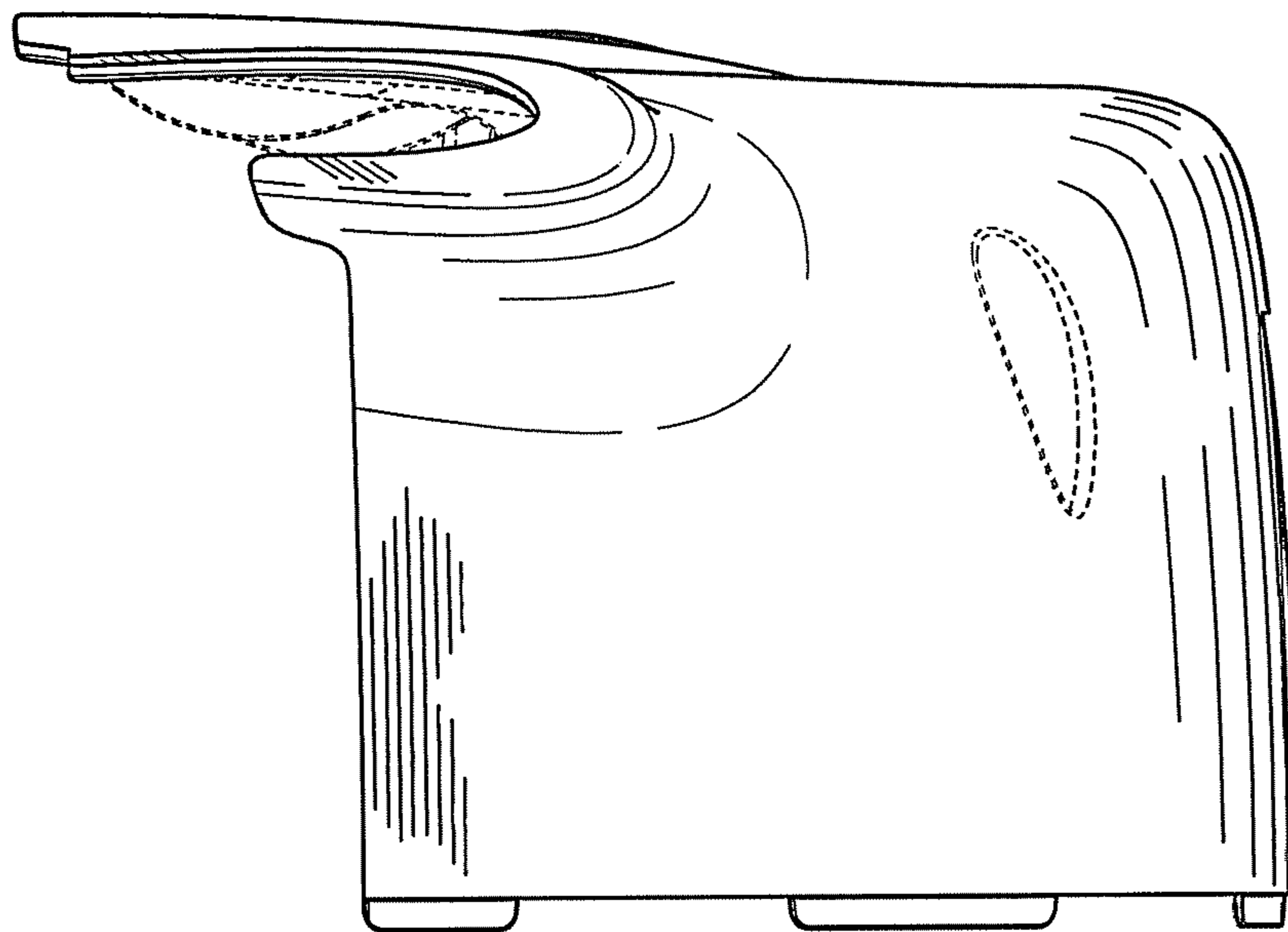


Fig. 31