



US00D689410S

(12) **United States Design Patent**
Nadel

(10) **Patent No.:** **US D689,410 S**

(45) **Date of Patent:** **** Sep. 10, 2013**

(54) **BICYCLE RACK WITH ADVERTISEMENT DISPLAY**

D602,818 S * 10/2009 Giugiaro D12/115
D632,617 S * 2/2011 Kritzer et al. D12/115
2012/0017477 A1* 1/2012 Sipperley et al. 40/606.03

(75) Inventor: **Eric J. Nadel**, Aventura, FL (US)

* cited by examiner

(73) Assignee: **JEM Group, LLC**, Chicago, IL (US)

Primary Examiner — Susan M Lee

Assistant Examiner — Linda G Brooks

(**) Term: **14 Years**

(74) *Attorney, Agent, or Firm* — Adam K. Sacharoff

(21) Appl. No.: **29/429,568**

(57) **CLAIM**

The ornamental design for a bicycle rack with advertisement display, as shown and described.

(22) Filed: **Aug. 14, 2012**

DESCRIPTION

(51) **LOC (9) Cl.** **12-11**

(52) **U.S. Cl.**
USPC **D12/115**

(58) **Field of Classification Search**
USPC D12/115, 120; 211/5, 17-24, 181.1,
211/182; 248/153, 175, 176.1; 40/606.03;
D6/462; D20/19
See application file for complete search history.

FIG. 1 is a front perspective view showing a bicycle rack with advertisement display in accordance with the invention; FIG. 2 is a front side view of FIG. 1; FIG. 3 is a rear side view of FIG. 1; FIG. 4 is a left side view of FIG. 1; FIG. 5 is a right side view of FIG. 1; FIG. 6 is a top side view of FIG. 1; and, FIG. 7 is a bottom side view of FIG. 1.

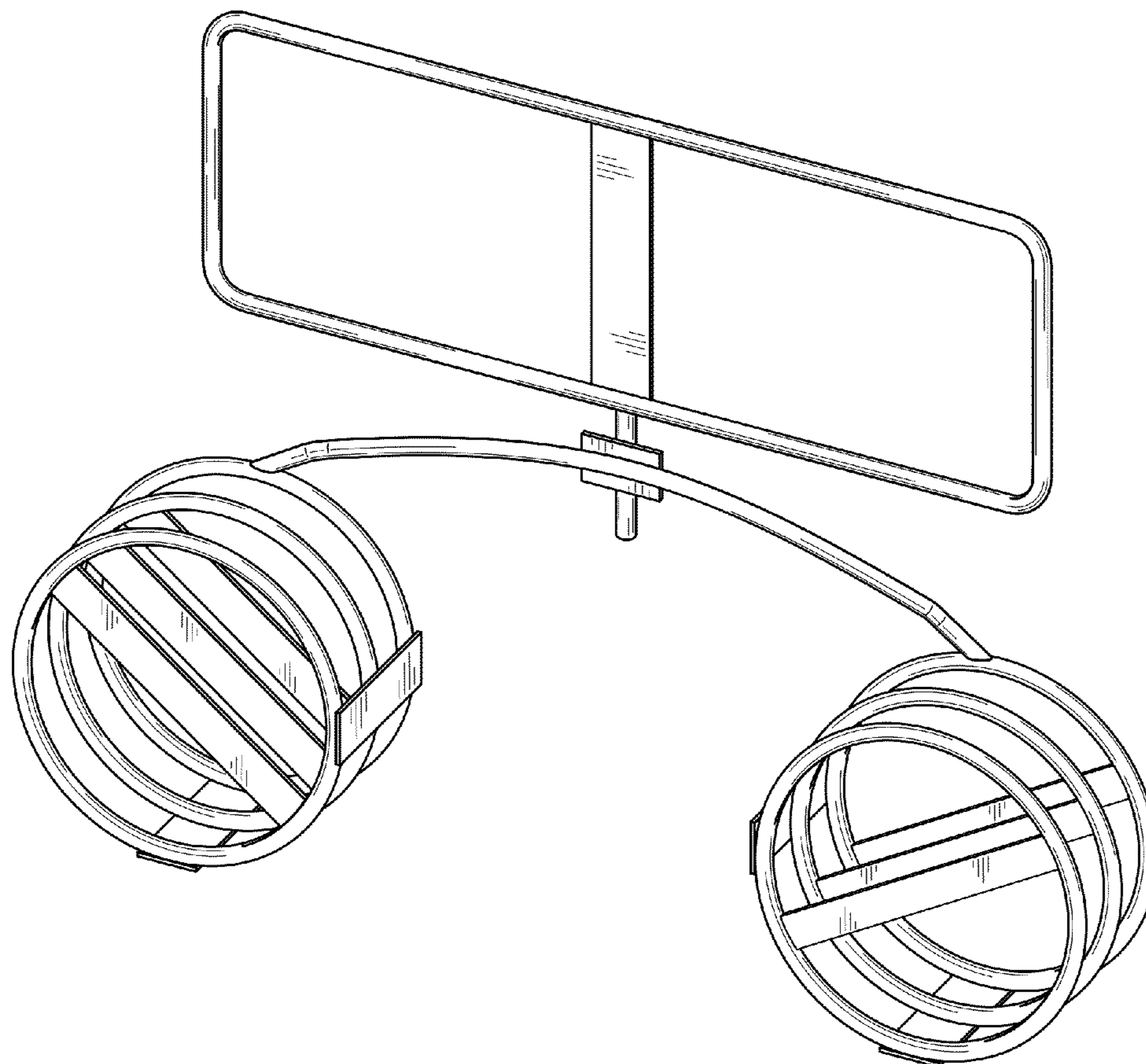
The surface shading illustrated in the drawings is provided merely to highlight the contour of the design and is not intended to be illustrative of texture or gloss.

(56) **References Cited**

U.S. PATENT DOCUMENTS

614,432 A * 11/1898 Austin 211/5
D269,978 S * 8/1983 Dickson D20/19

1 Claim, 4 Drawing Sheets



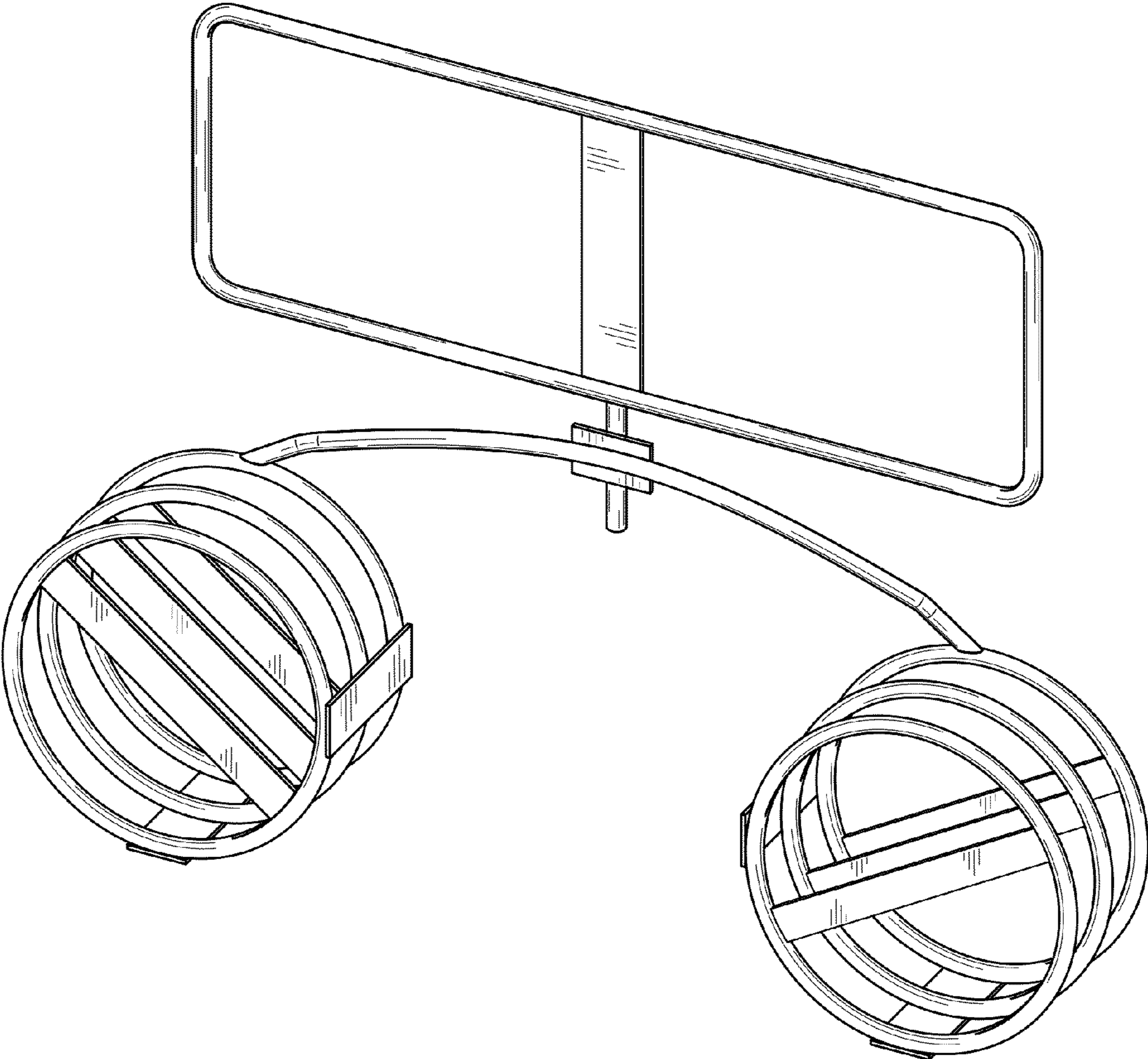


FIG. 1

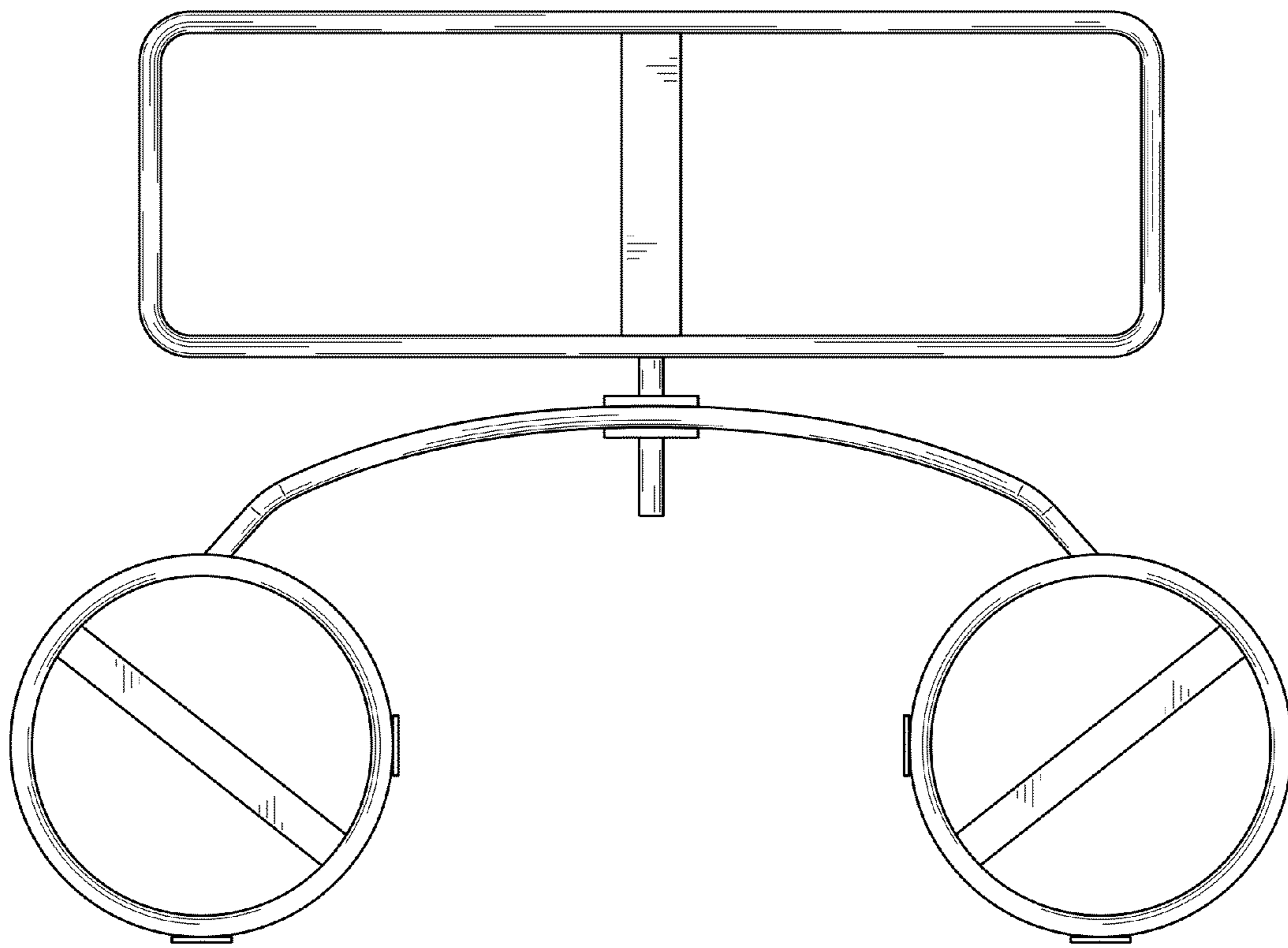


FIG. 2

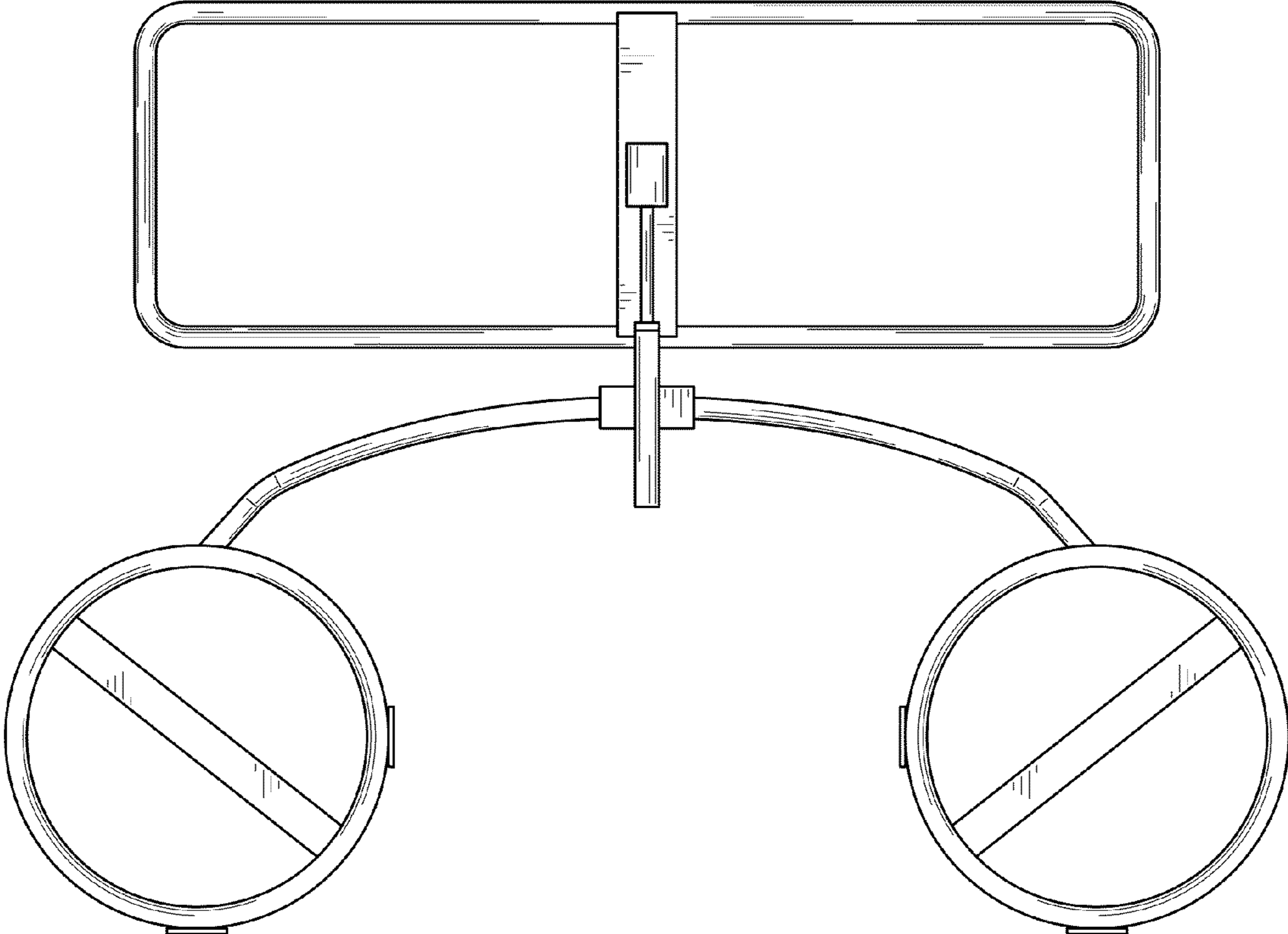


FIG. 3

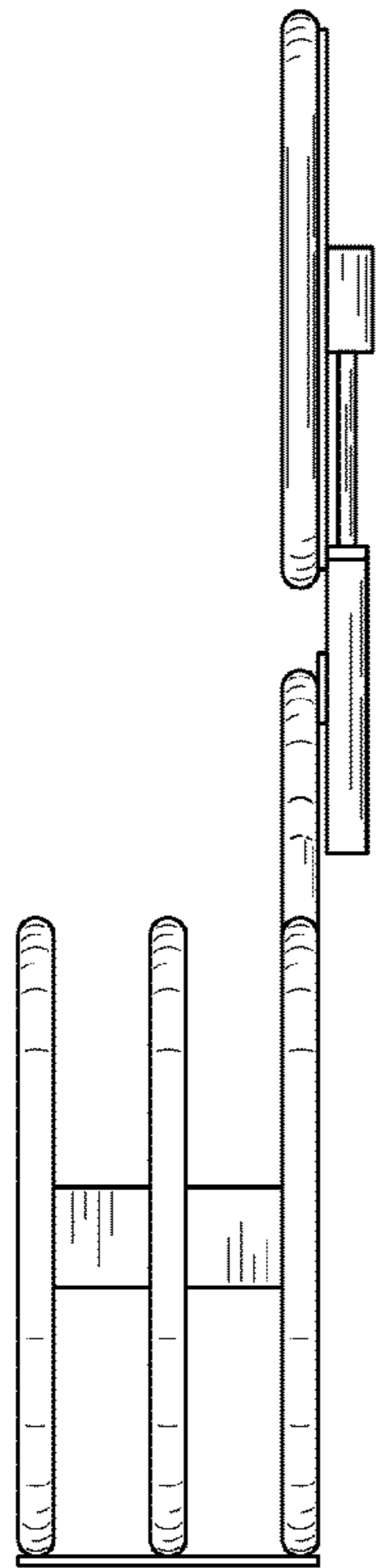


FIG. 4

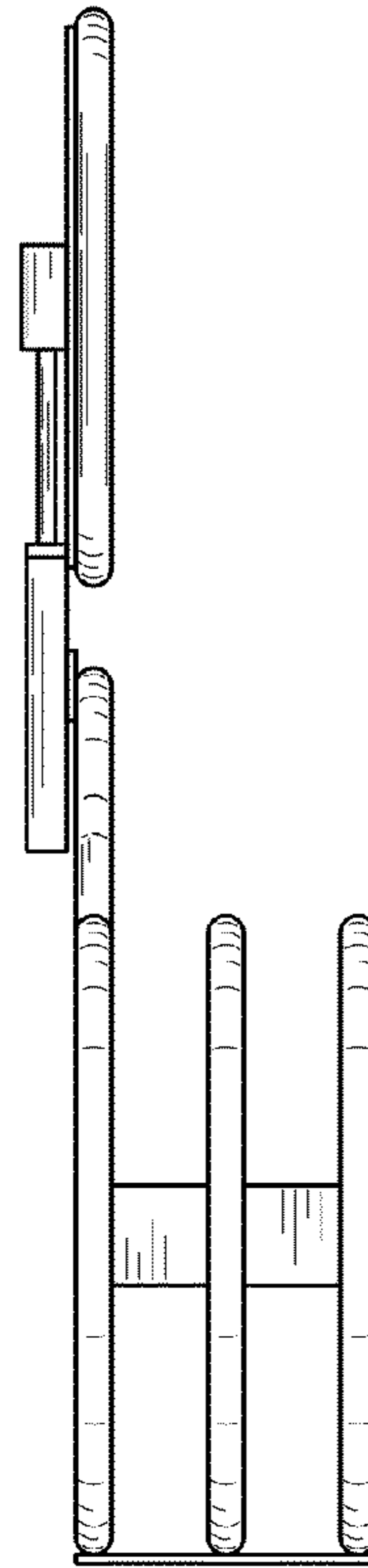


FIG. 5

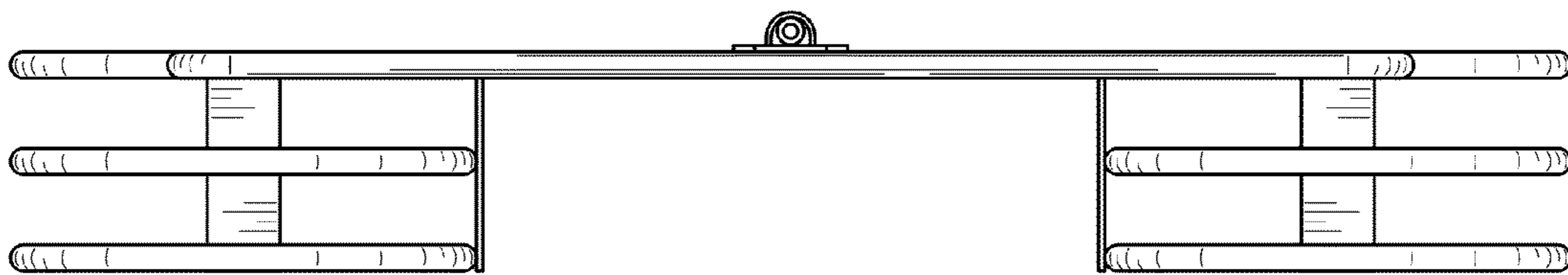


FIG. 6

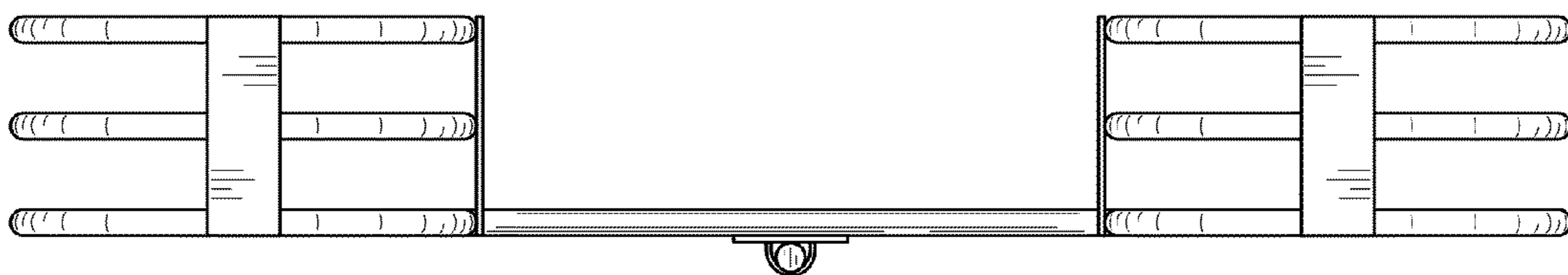


FIG. 7