



US00D689409S

(12) **United States Design Patent**  
**Yap**

(10) **Patent No.:** **US D689,409 S**

(45) **Date of Patent:** **\*\* Sep. 10, 2013**

(54) **BICYCLE**

(71) Applicant: **Fook Fah Yap**, Seattle, WA (US)

(72) Inventor: **Fook Fah Yap**, Seattle, WA (US)

(\*\*) Term: **14 Years**

(21) Appl. No.: **29/445,942**

(22) Filed: **Feb. 19, 2013**

(51) **LOC (9) Cl.** ..... **12-11**

(52) **U.S. Cl.**  
USPC ..... **D12/111**

(58) **Field of Classification Search**  
USPC ..... D12/111; 280/274-280, 281.1, 283-288,  
280/28.1-288.3

See application file for complete search history.

(56) **References Cited**

U.S. PATENT DOCUMENTS

D317,142	S	*	5/1991	Smith	.....	D12/111
5,590,895	A	*	1/1997	Hiramoto	.....	280/278
D465,438	S	*	11/2002	Masui et al.	.....	D12/111
D491,111	S	*	6/2004	Mizuta et al.	.....	D12/111

7,651,109	B2	*	1/2010	Tong	.....	280/278
2004/0089489	A1	*	5/2004	Schless	.....	180/220
2011/0139530	A1	*	6/2011	Ananthakrishna	.....	180/206.5

\* cited by examiner

*Primary Examiner* — Susan M Lee

*Assistant Examiner* — Linda G Brooks

(74) *Attorney, Agent, or Firm* — Sinorica, LLC

(57) **CLAIM**

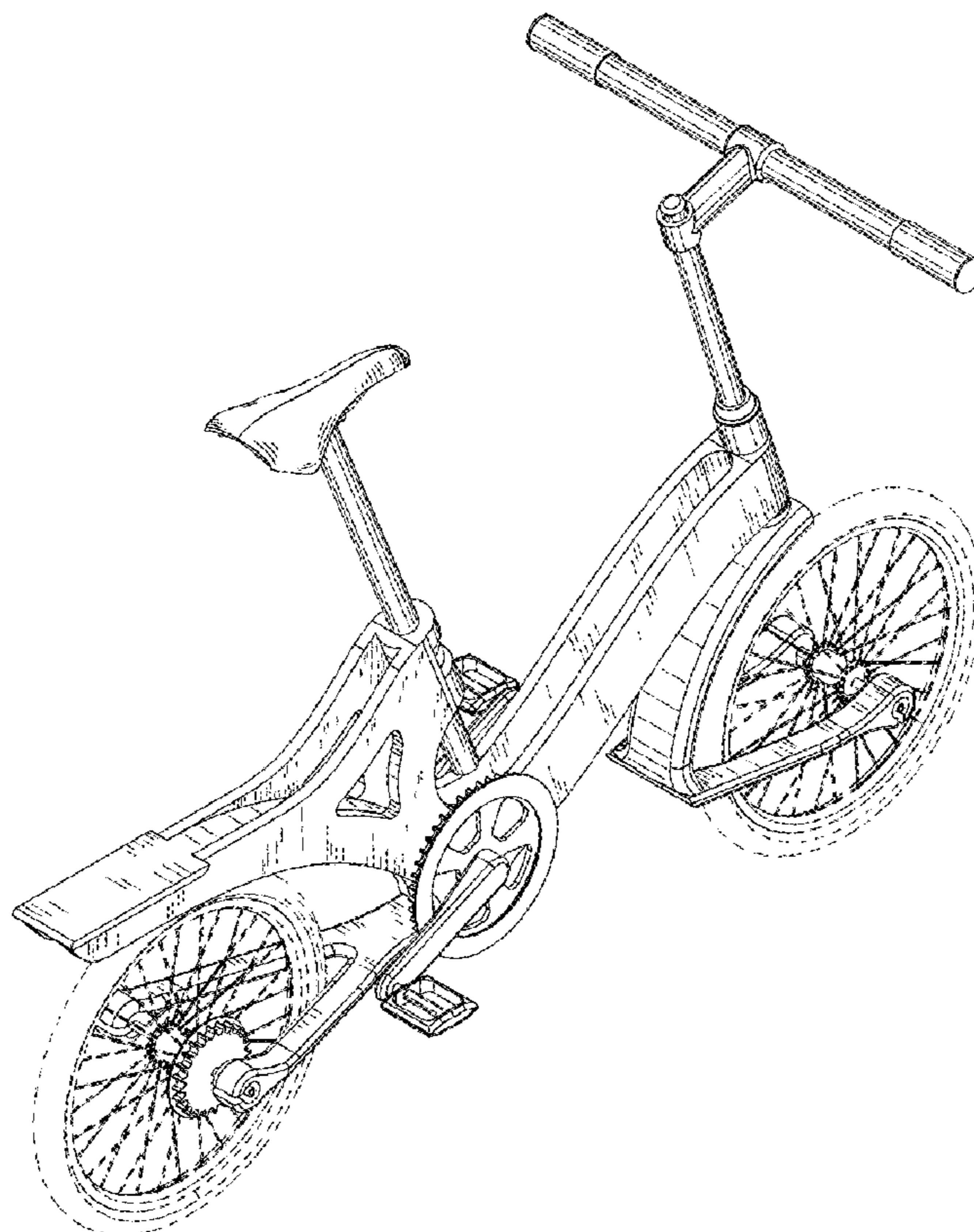
The ornamental design for a bicycle, as shown and described.

**DESCRIPTION**

FIG. 1 is a perspective view of a bicycle;  
FIG. 2 is a front view thereof;  
FIG. 3 is a rear view thereof;  
FIG. 4 is a right view thereof;  
FIG. 5 is a left view thereof;  
FIG. 6 is a top view thereof;  
FIG. 7 is a bottom view thereof; and,  
FIG. 8 is a perspective view thereof, showing an attached basket.

The broken line showing wheels in FIG. 1-FIG. 7 and a basket in FIG. 8 is included for the purpose of illustrating environmental structure and forms no part of the claimed design.

**1 Claim, 8 Drawing Sheets**



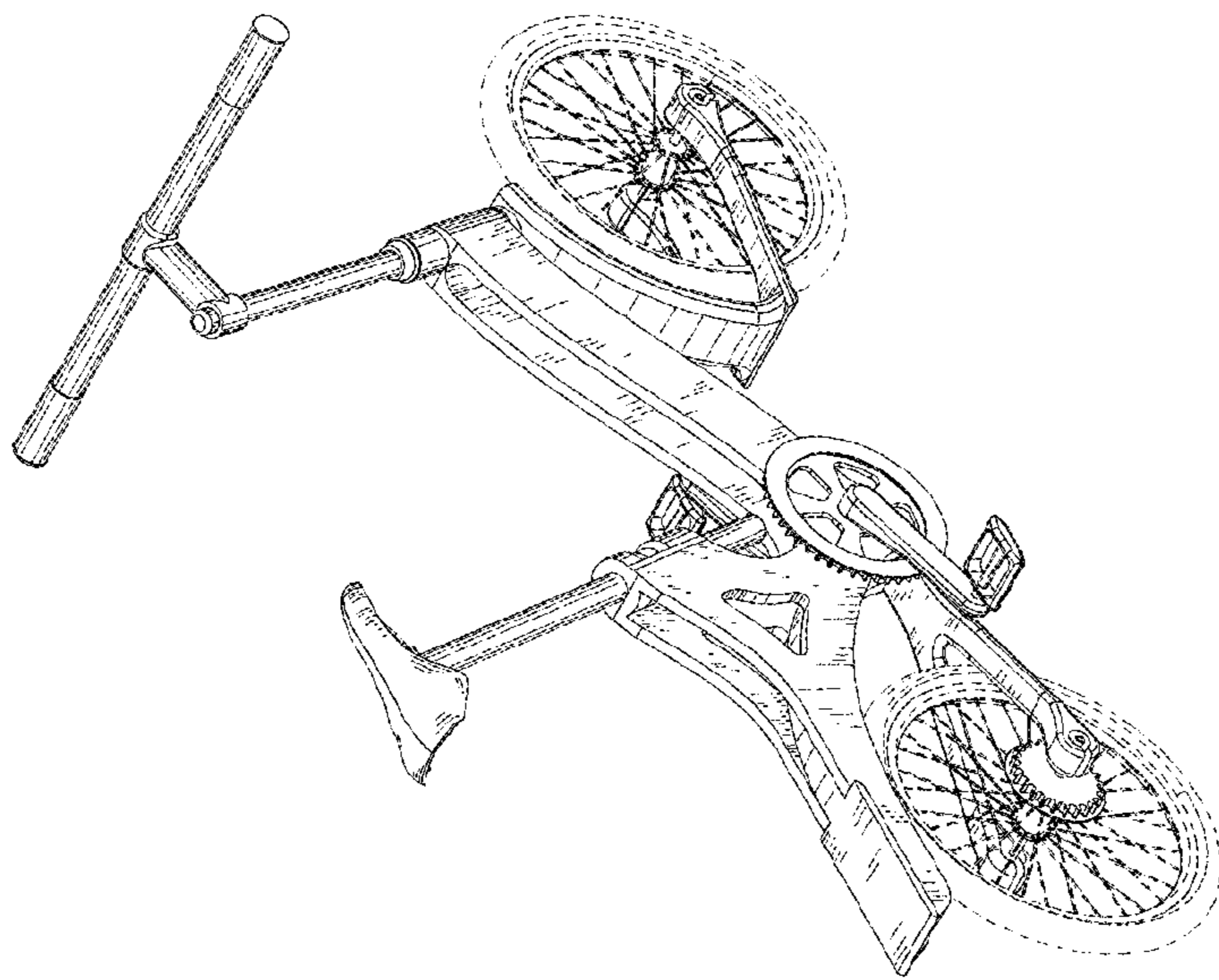


FIG. 1

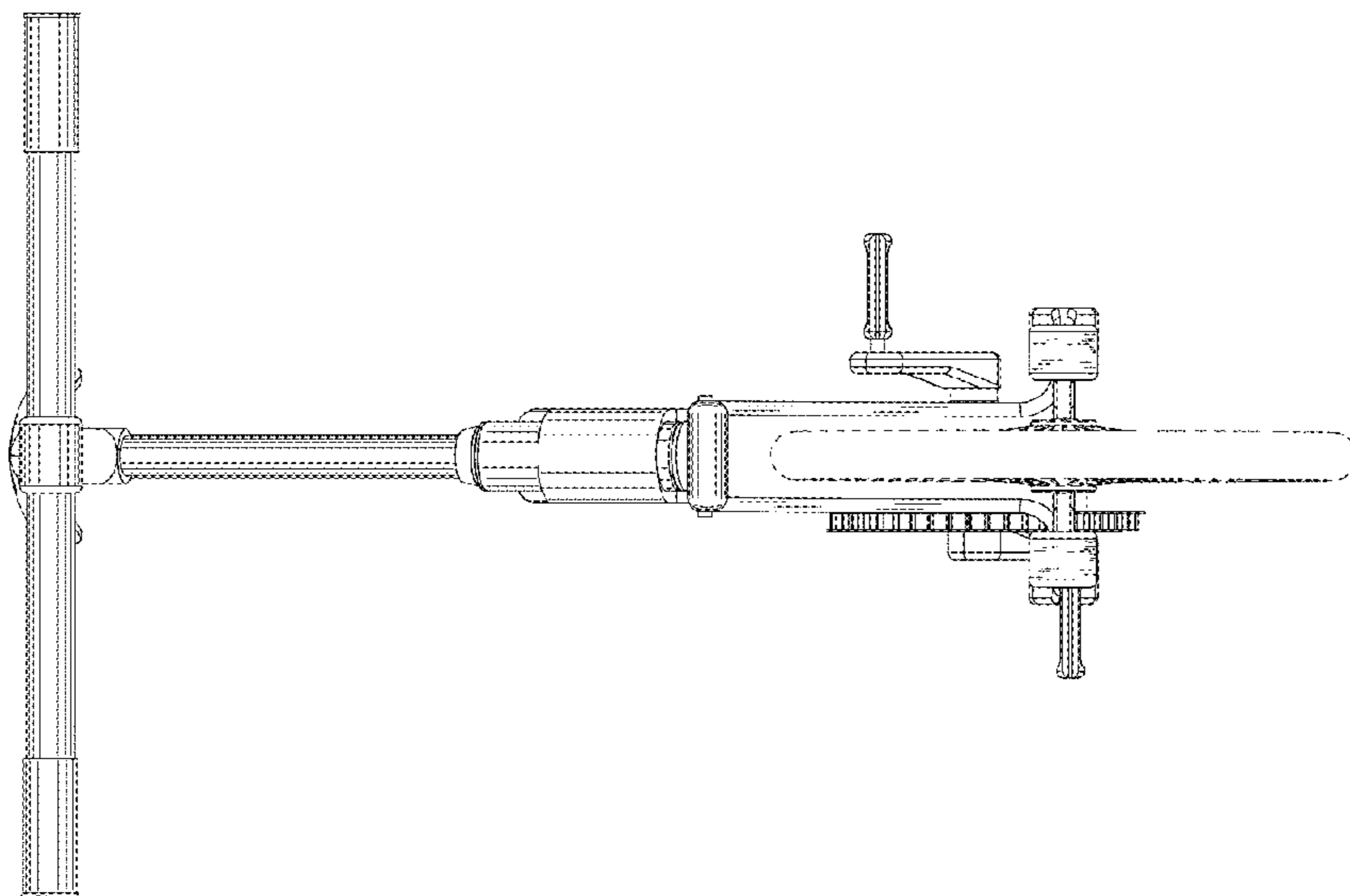


FIG. 2

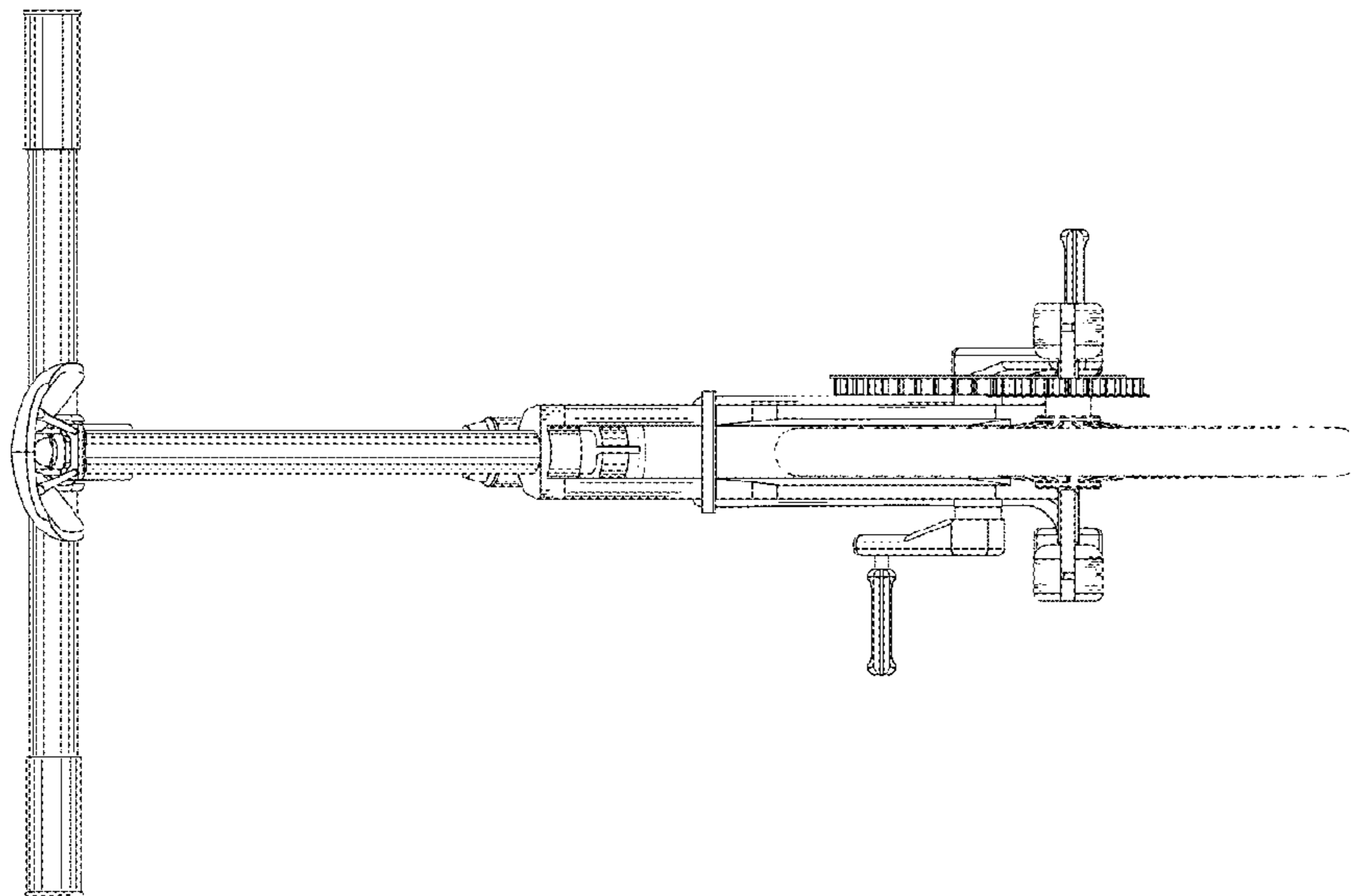


FIG. 3

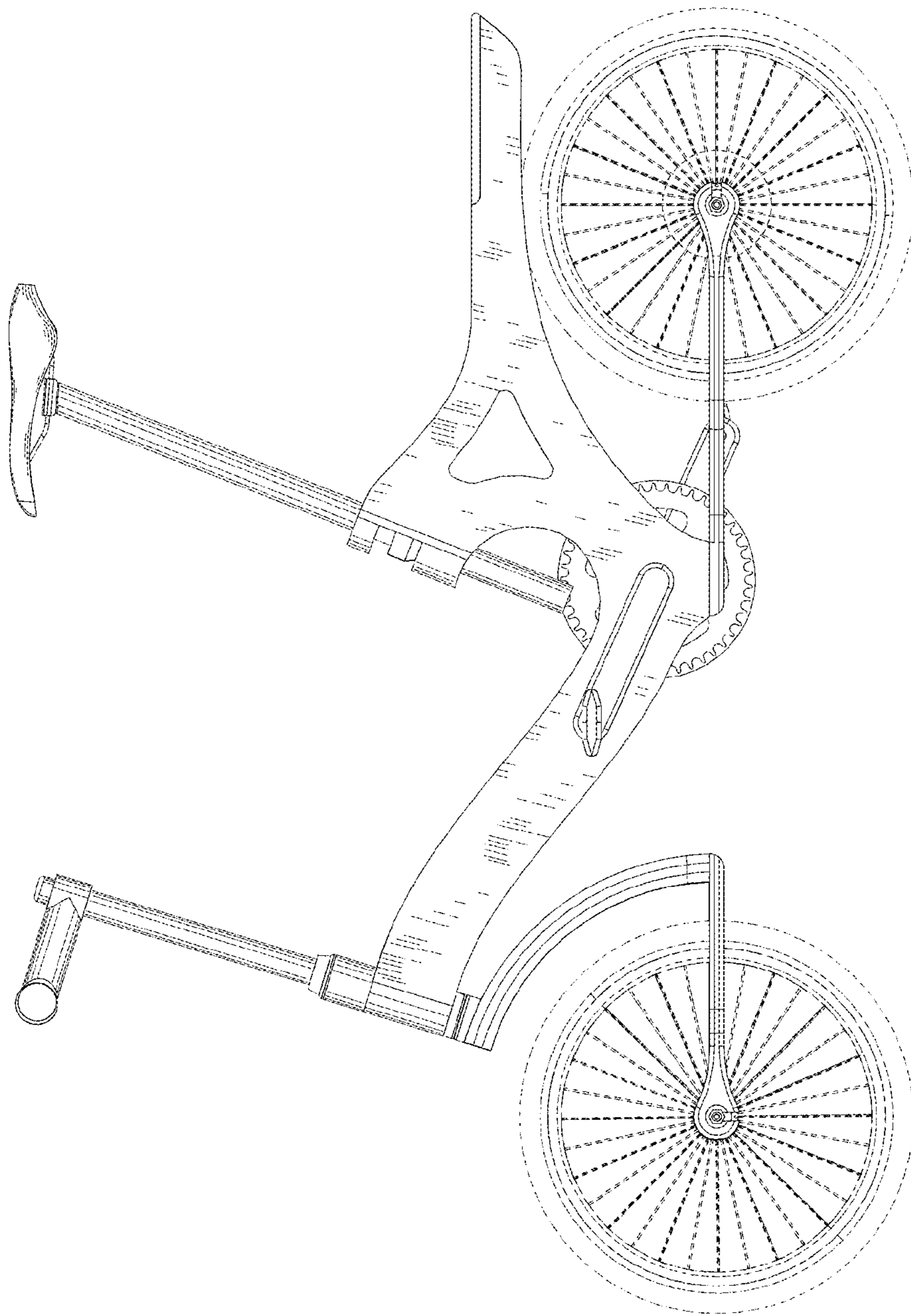


FIG. 4

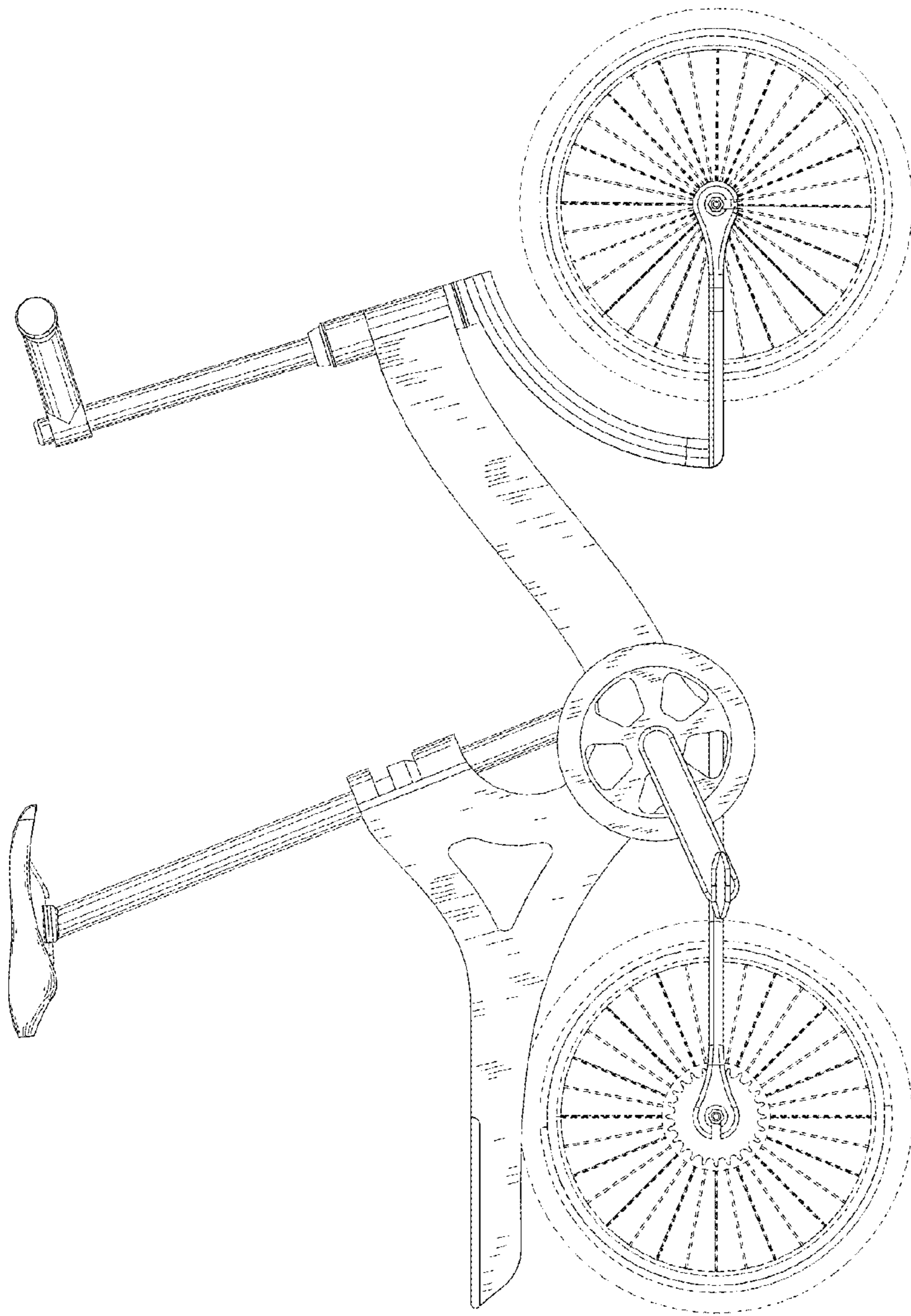


FIG. 5

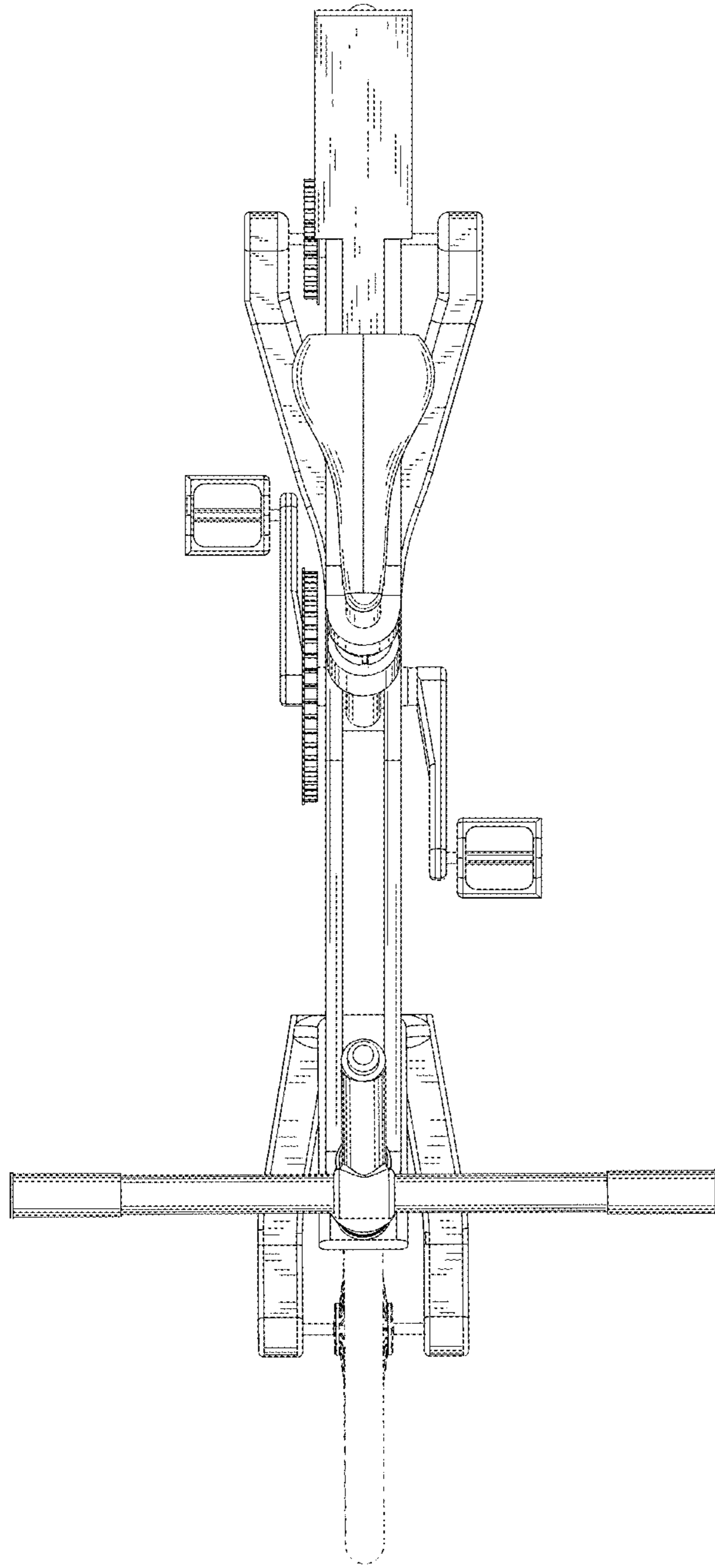


FIG. 6

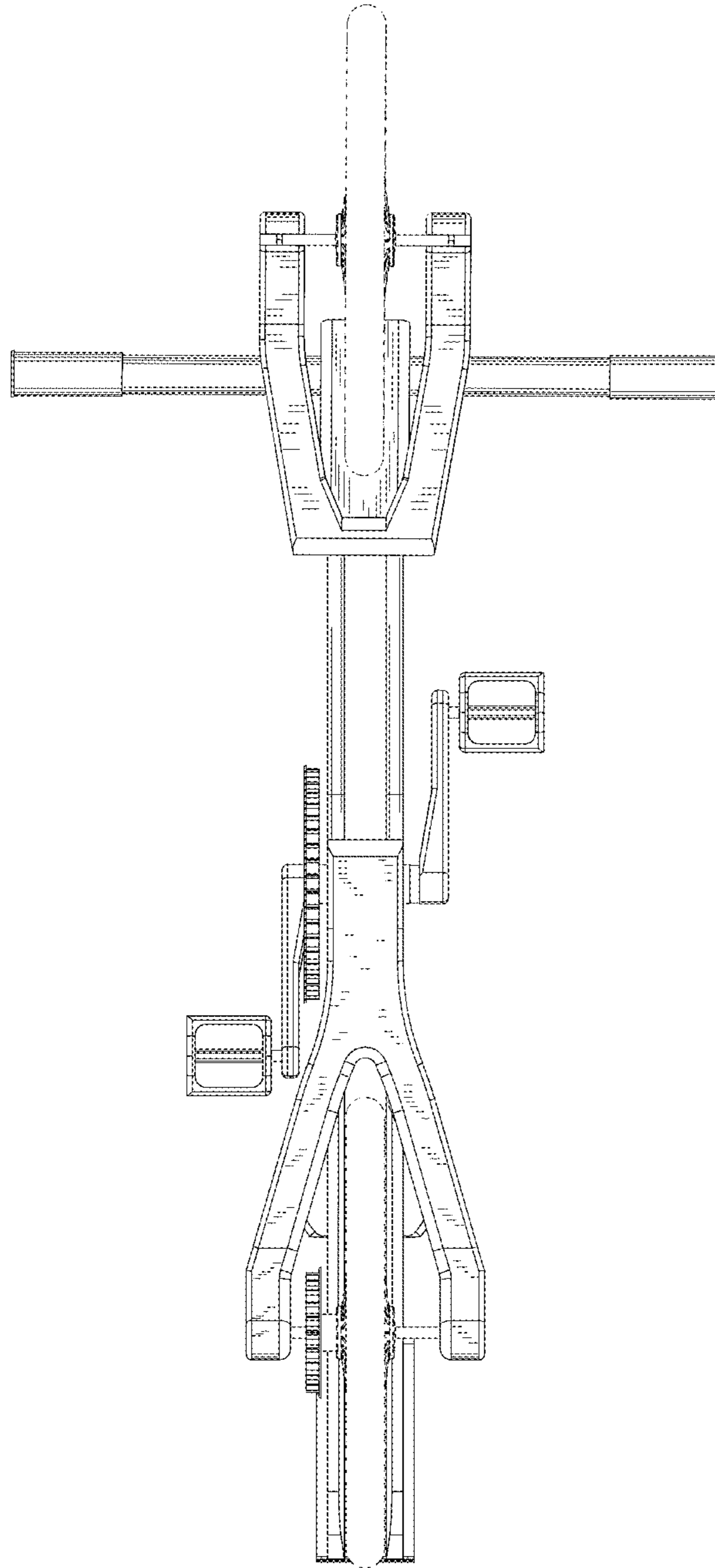


FIG. 7



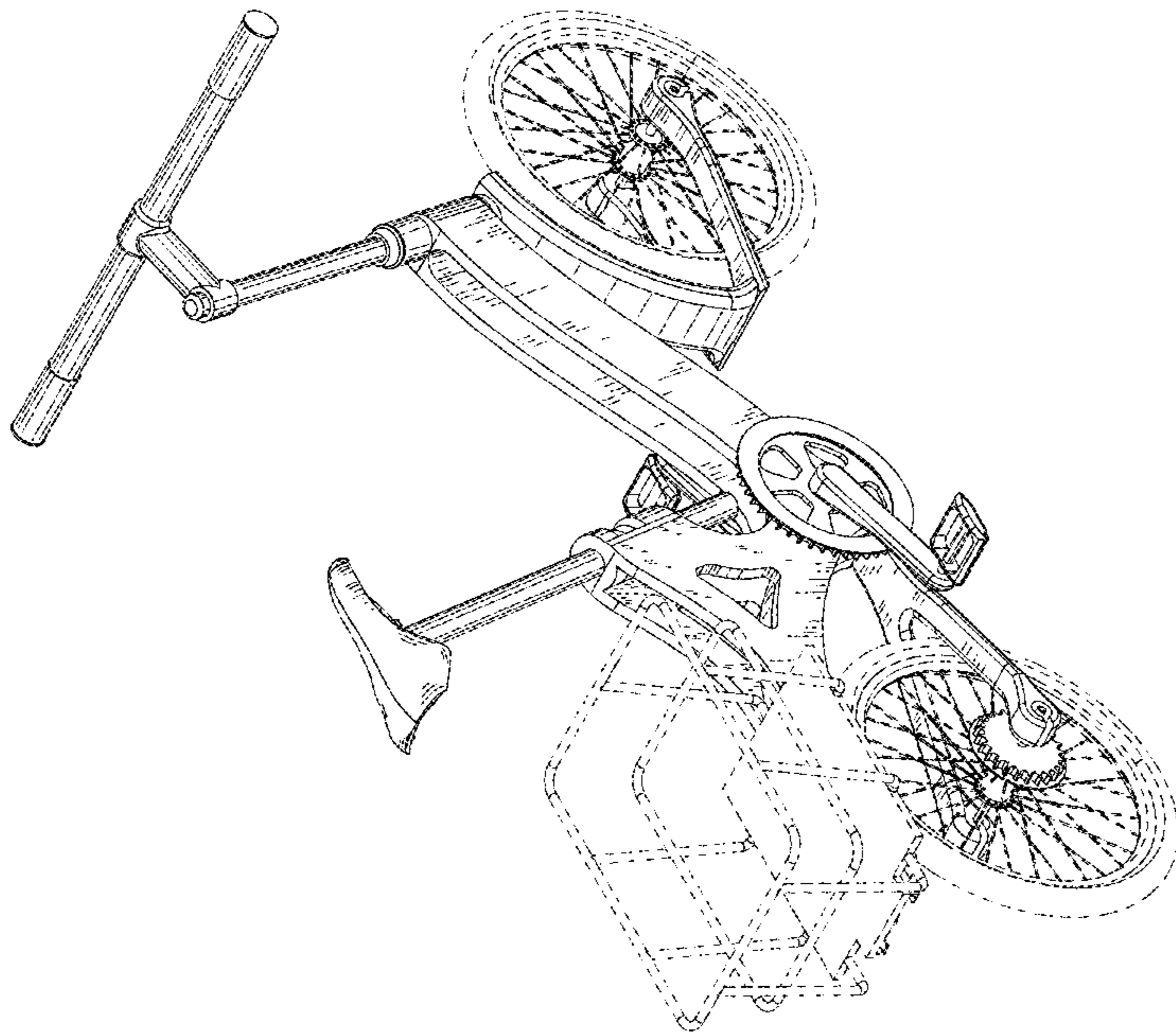


FIG. 8