

US00D689403S

(12) **United States Design Patent**
Bruce

(10) **Patent No.:** **US D689,403 S**
(45) **Date of Patent:** **** Sep. 10, 2013**

(54) **MOTORCYCLE, TOY, OR REPLICA THEREOF**

(71) Applicant: **Alpha Motors Company Limited**,
Beijing (CN)

(72) Inventor: **Ian A. Bruce**, Dana Point, CA (US)

(73) Assignee: **Alpha Motors Company Limited**,
Tortola (VG)

(**) Term: **14 Years**

(21) Appl. No.: **29/432,720**

(22) Filed: **Sep. 19, 2012**

(51) **LOC (9) Cl.** **12-11**

(52) **U.S. Cl.**
USPC **D12/110; D12/85**

(58) **Field of Classification Search**
USPC **D12/85, 88-93, 107, 110, 112; 180/210,**
180/215, 217, 65.1; D21/424, 433, 435,
D21/550

See application file for complete search history.

(56) **References Cited**

U.S. PATENT DOCUMENTS

D242,696	S	*	12/1976	Keyes	D12/85
D245,077	S		7/1977	Newell		
D262,956	S		2/1982	Hamer		
D268,920	S		5/1983	Bragdon		
D274,398	S	*	6/1984	Keyes	D12/85
D275,381	S		9/1984	Fernandes et al.		
D293,697	S		1/1988	Thornalley		
5,685,388	A		11/1997	Bothwell et al.		
5,806,622	A		9/1998	Murphy		
D404,688	S		1/1999	Hanagan et al.		
D407,348	S	*	3/1999	Riley	D12/85
5,960,901	A		10/1999	Hanagan		
D484,439	S	*	12/2003	Hanagan et al.	D12/85

6,685,208	B1		2/2004	Cowie		
D517,959	S	*	3/2006	Pickering	D12/110
D614,083	S		4/2010	Wainfan		
D663,242	S		7/2012	Zhang et al.		
8,328,218	B2		12/2012	Rush		

OTHER PUBLICATIONS

Office Action for U.S. Appl. No. 29/432,714, mailed Apr. 9, 2013 [6 pages].

Szondy, David. Vauxhall/Opel to unveil two-seater EV Concept. Gizmag.com. Sep. 12, 2011 [online], [retrieved on Feb. 4, 2013]. Retrieved from the Internet <URL:http://www.gizmag.com/vauxhall-ev-concept/19773/>.

Williams, Stephen. Opel-Vauxhall Concept Joins Suddenly Crowded E.V. Runabout Segment. The New York Times. Sep. 8, 2011 [online], [retrieved on Feb. 4, 2013]. Retrieved from the Internet <URL:http://wheels.blogs.nytimes.com/2011/09/08/opei-vauxhall-concept-joins-suddenly-crowded-e-v-runabout-segment/>.

(Continued)

Primary Examiner — Susan M Lee

Assistant Examiner — Linda G Brooks

(74) *Attorney, Agent, or Firm* — Leydig, Voit & Mayer LLP

(57) **CLAIM**

The ornamental design for a motorcycle, toy, or replica thereof, as shown and described.

DESCRIPTION

FIG. 1 is a front perspective view of a motorcycle, toy, or replica thereof showing the claimed design;

FIG. 2 is a rear perspective view thereof;

FIG. 3 is a front view thereof;

FIG. 4 is a rear view thereof;

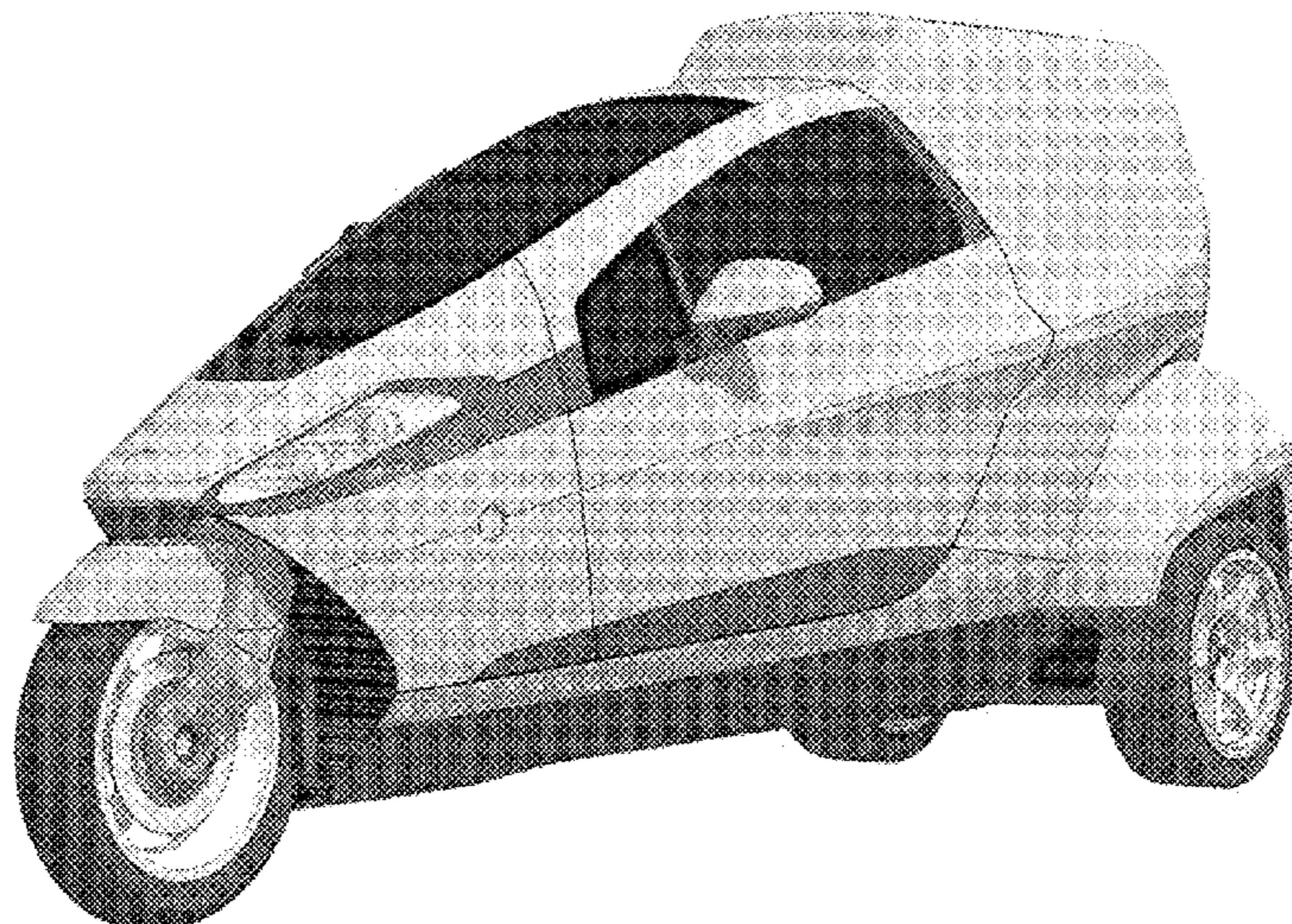
FIG. 5 is a left side view thereof;

FIG. 6 is a right side view thereof;

FIG. 7 is a top view thereof; and,

FIG. 8 is a bottom view thereof.

1 Claim, 4 Drawing Sheets



(56)

References Cited

OTHER PUBLICATIONS

Nanus three-wheeled city car concept to set a crazy trend. Gadget Reviews. Jul. 11, 2009 [online], [retrieved on Feb. 4, 2013]. Retrieved from the Internet <URL:<http://www.gadgets-reviews.com/nanus-three-wheeled-city-car.html>>.

Alex Hodge. "Hawk" Concept Vehicle. Coroflot—Alex Hodge portfolio. Dec. 8, 2006 [online], [retrieved on Feb. 4, 2013]. Retrieved from the Internet <URL:<http://www.coroflot.com/L-X/Work>>.

U.S. Notice of Allowance for U.S. Appl. No. 29/432,717, mailed May 1, 2013 [9 pages].

* cited by examiner

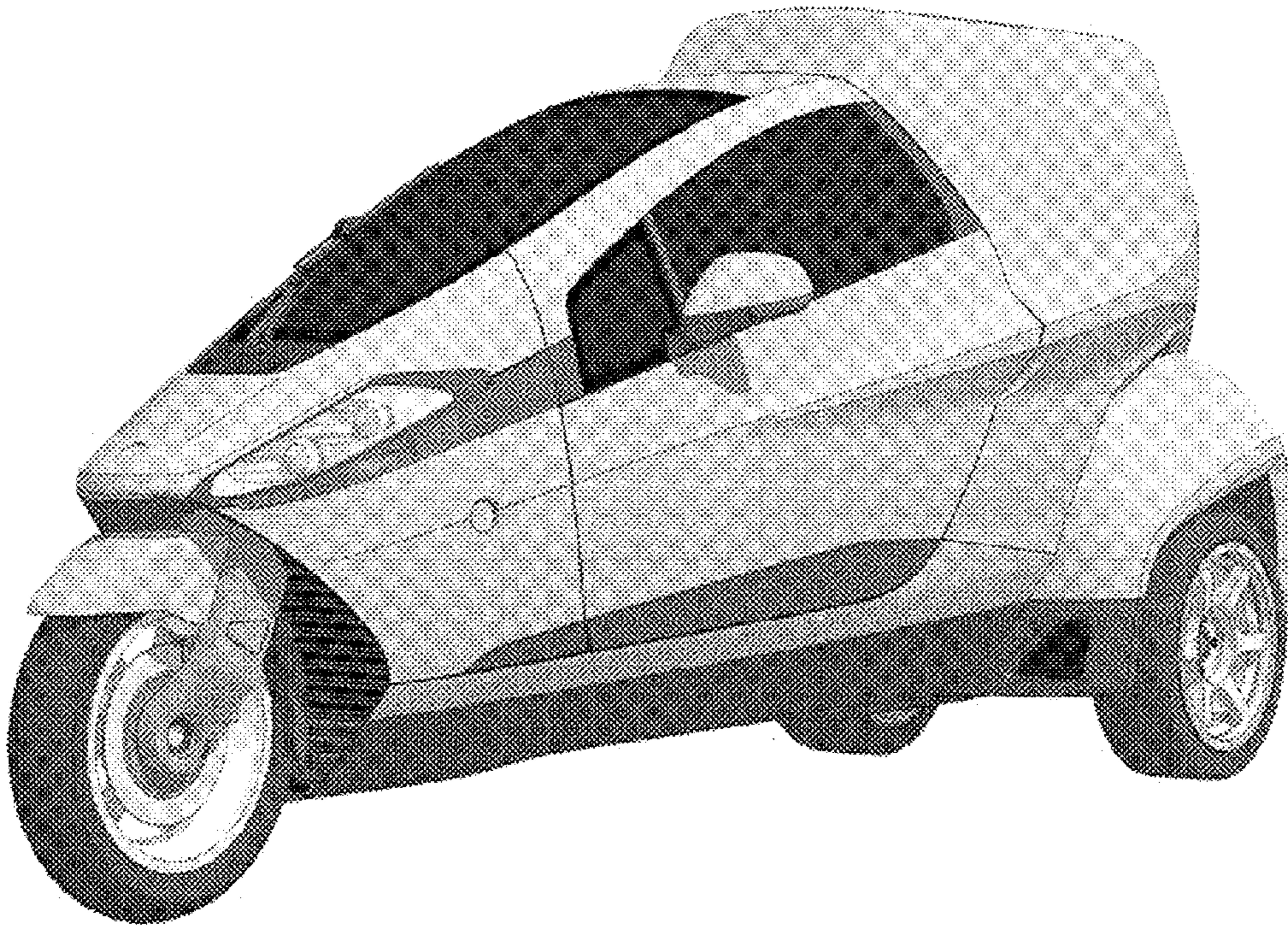


FIG. 1

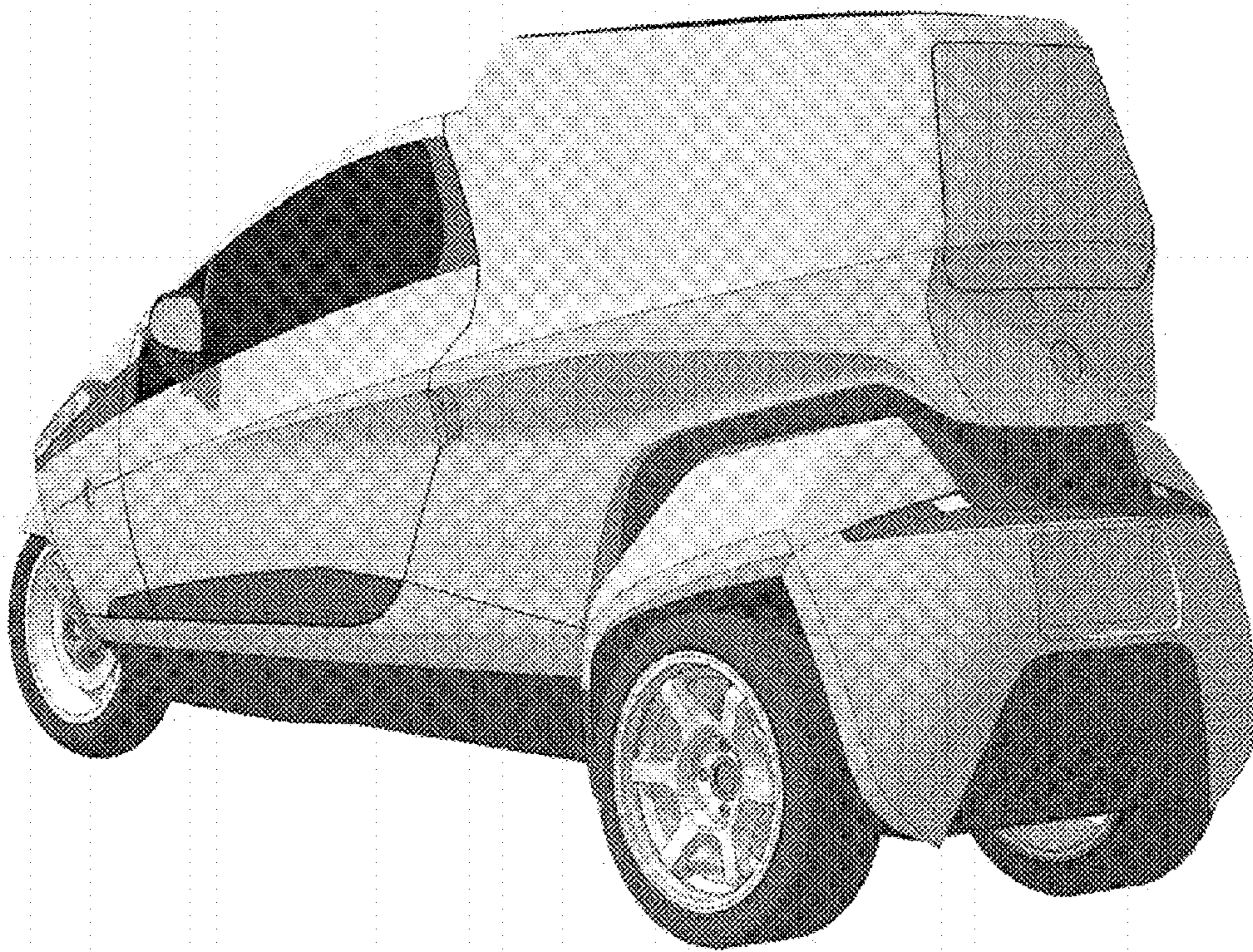


FIG. 2

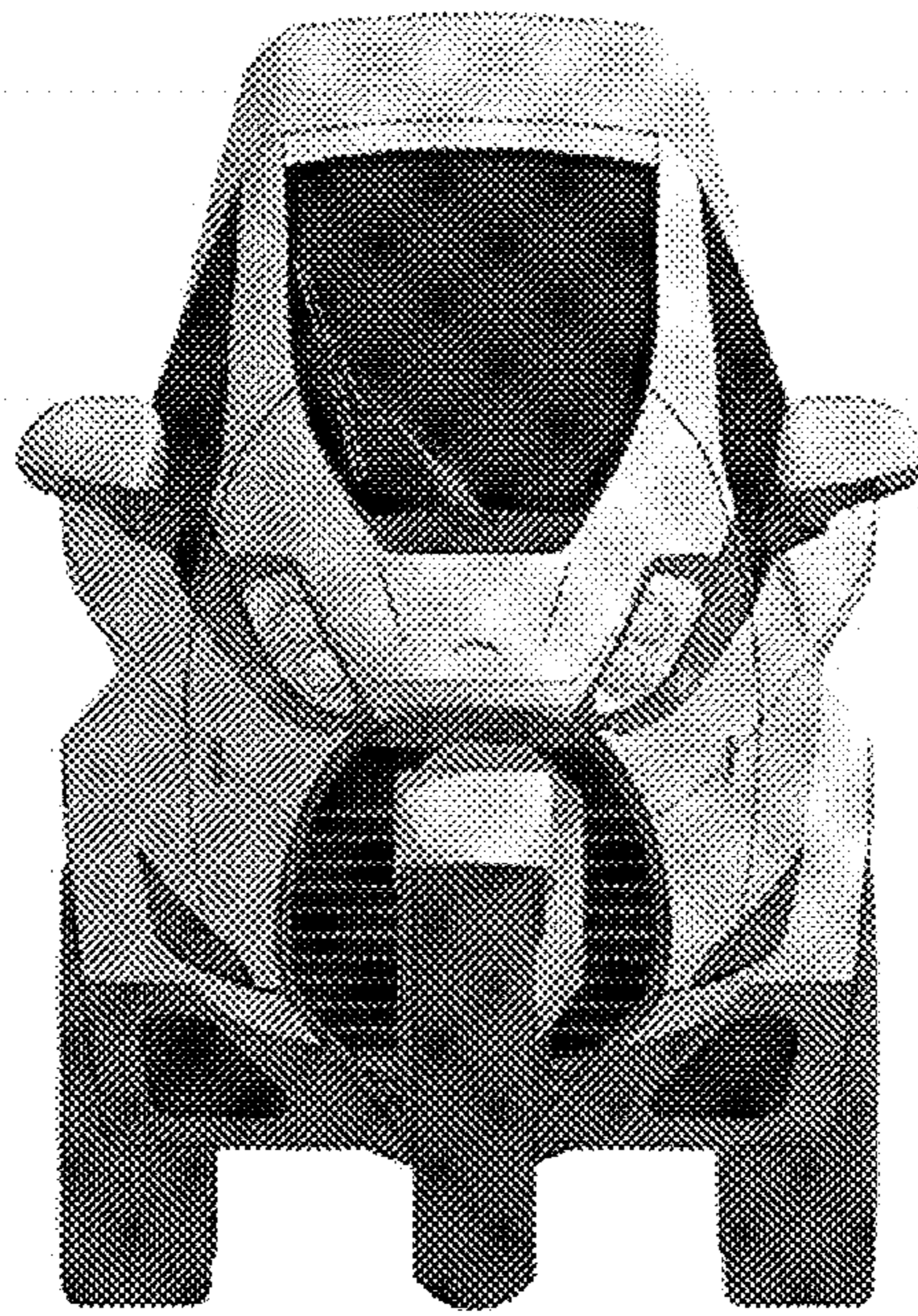


FIG. 3

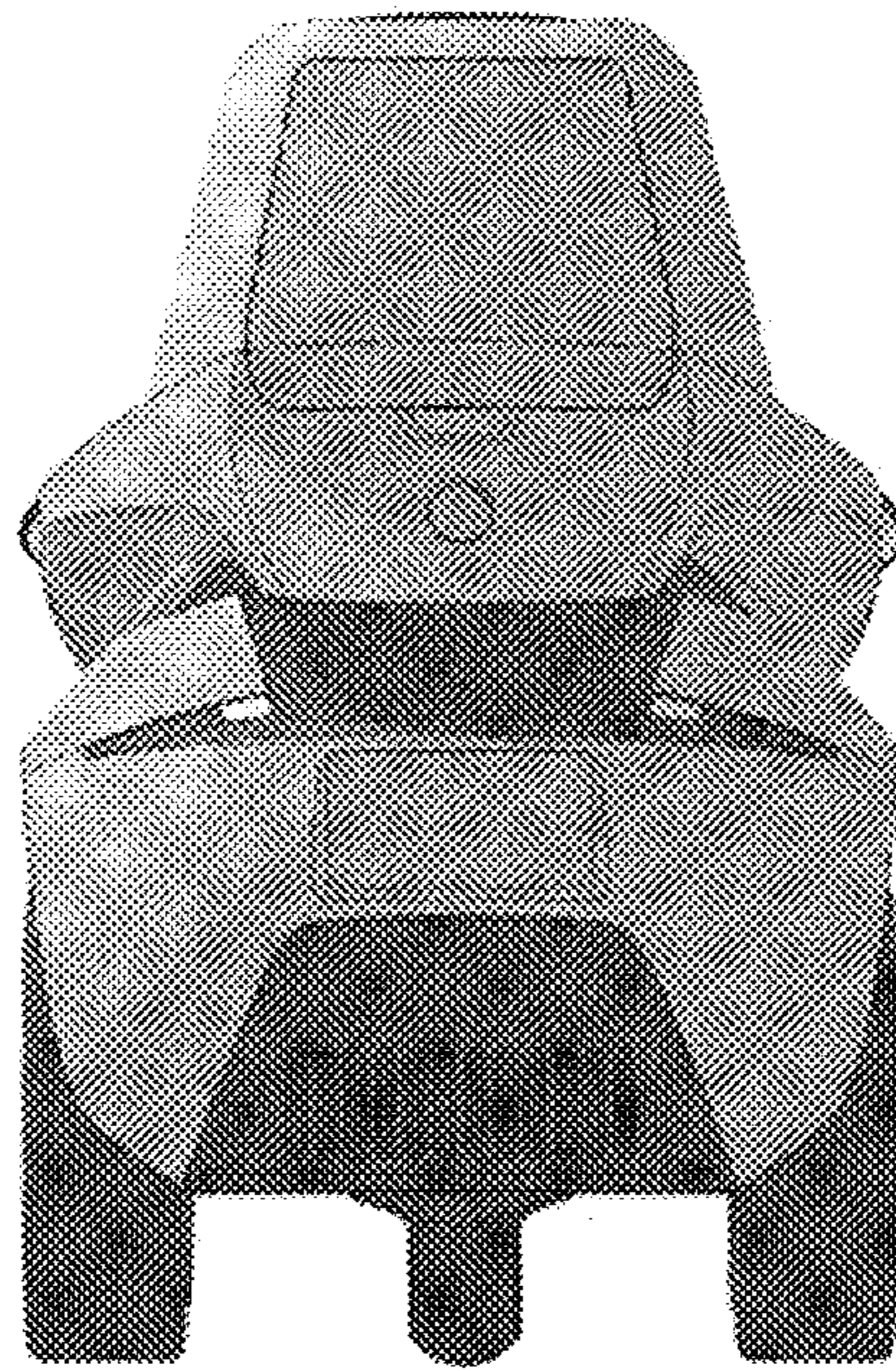


FIG. 4

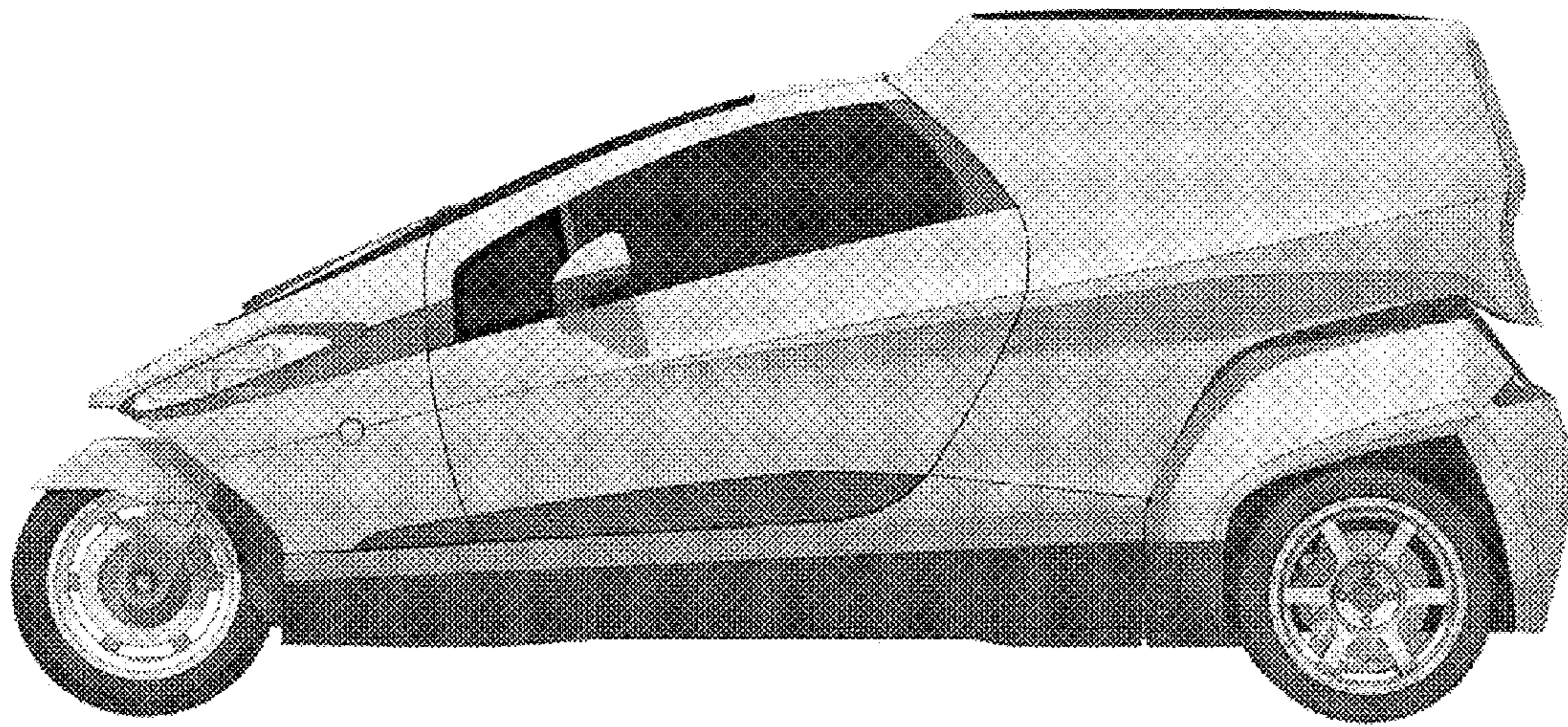


FIG. 5

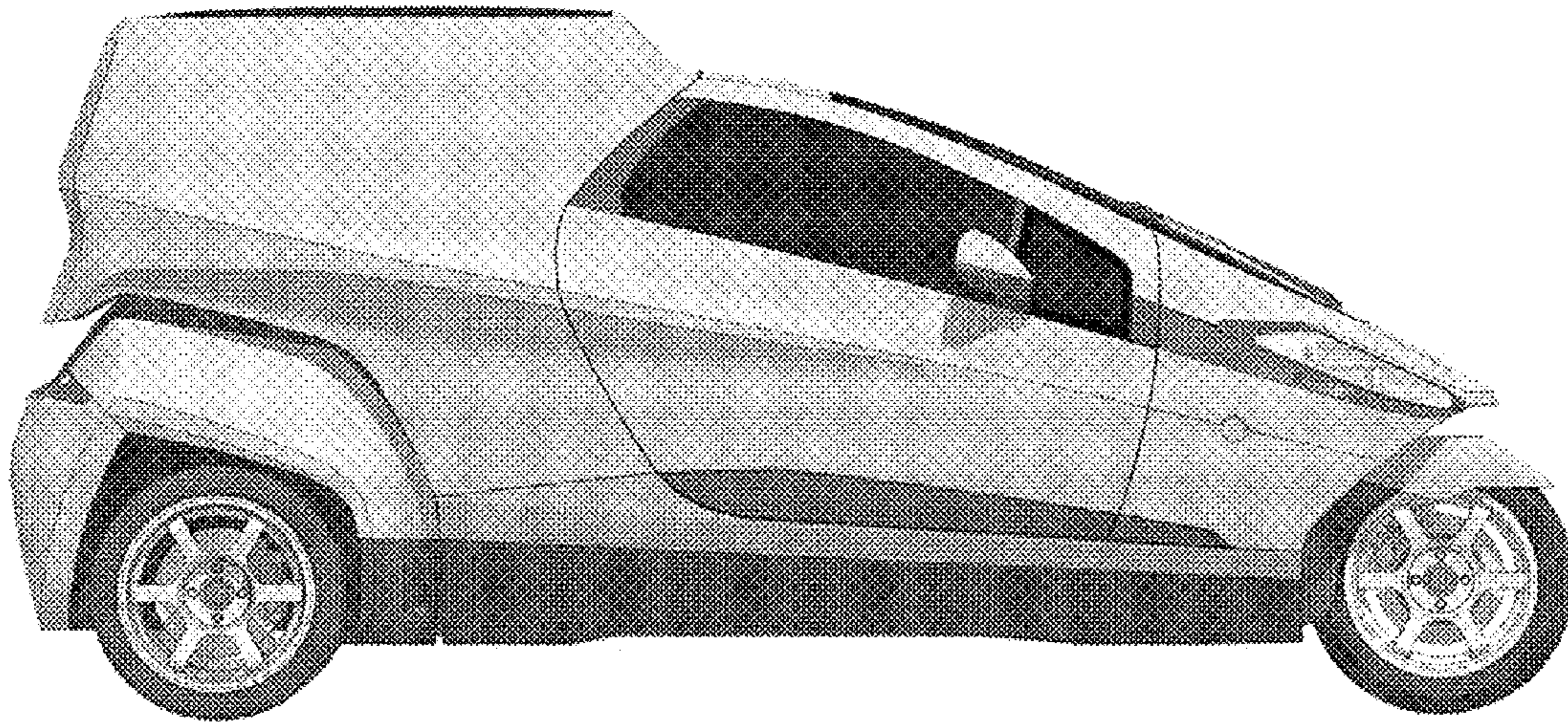


FIG. 6

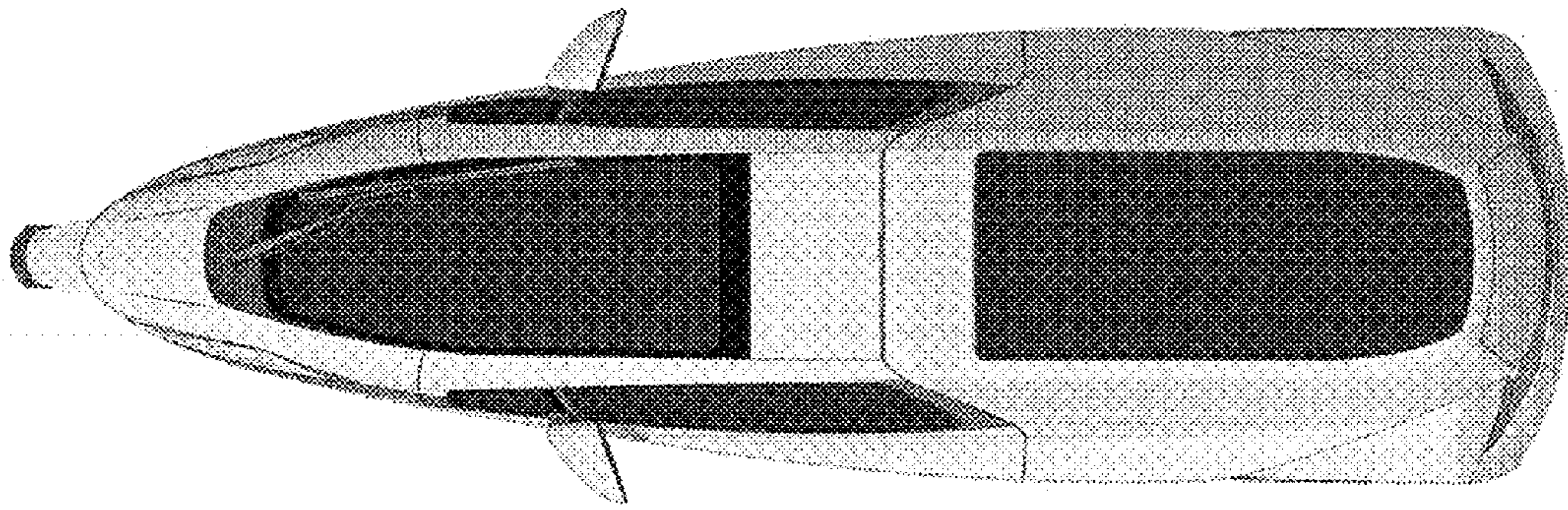


FIG. 7

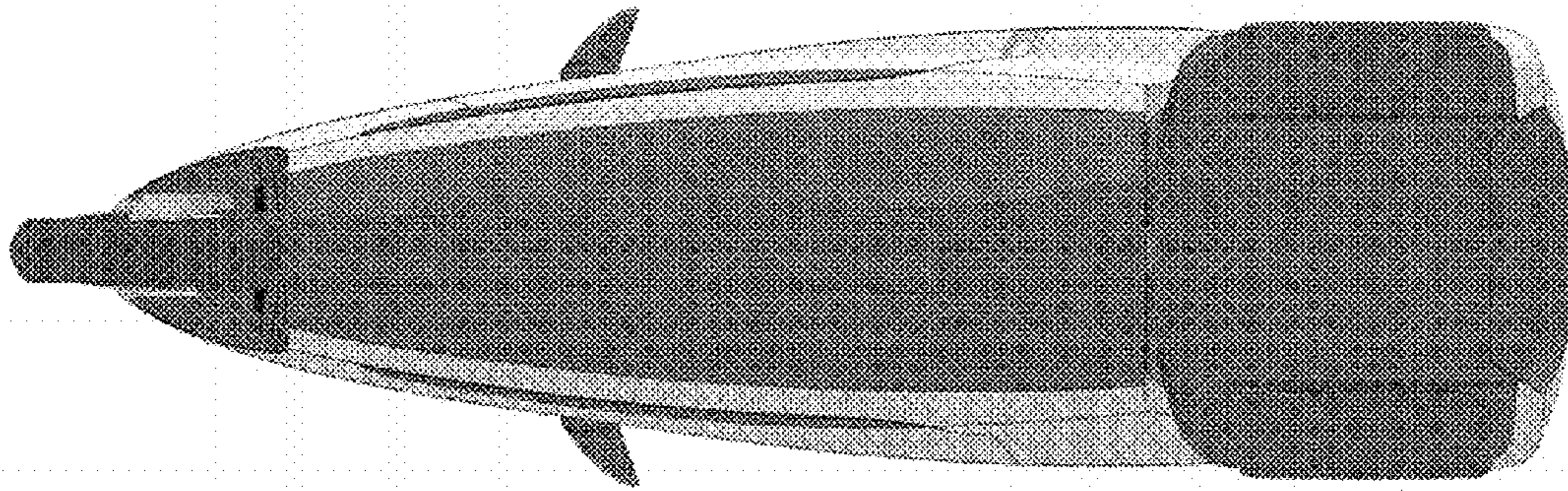


FIG. 8