



US00D689402S

(12) **United States Design Patent**
Lee

(10) **Patent No.:** **US D689,402 S**

(45) **Date of Patent:** **** Sep. 10, 2013**

(54) **EVACUATION CABIN**

(76) Inventor: **Stanley Shao-Ying Lee, Taipei (TW)**

(**) Term: **14 Years**

(21) Appl. No.: **29/392,983**

(22) Filed: **May 27, 2011**

(51) **LOC (9) Cl.** **12-10**

(52) **U.S. Cl.**
USPC **D12/103**

(58) **Field of Classification Search**
USPC D12/101–106, 19, 129, 111, 112;
D21/425, 435; D34/21–26, 12, 16–19;
280/204, 205, 63, 475, 482, 647; 296/168,
296/180, 180.2, 61, 10, 100.01–100.08
See application file for complete search history.

(56) **References Cited**

U.S. PATENT DOCUMENTS

D159,326 S *	7/1950	Eldridge	D12/103
D542,185 S *	5/2007	Remington	D12/103
D546,245 S *	7/2007	Heard	D12/102
D603,299 S *	11/2009	Prusmack	D12/102
7,651,114 B2 *	1/2010	Weber et al.	280/477
D610,489 S *	2/2010	Rodabaugh	D12/102
D617,685 S *	6/2010	Rodabaugh	D12/103

D626,461 S *	11/2010	Barrios et al.	D12/101
2003/0107234 A1 *	6/2003	Votruba et al.	296/100.06
2008/0017540 A1 *	1/2008	Sawhney et al.	206/514
2012/0291691 A1 *	11/2012	Lee	114/349

* cited by examiner

Primary Examiner — Katrina A Betton

(74) *Attorney, Agent, or Firm* — Birch, Stewart, Kolasch & Birch, LLP

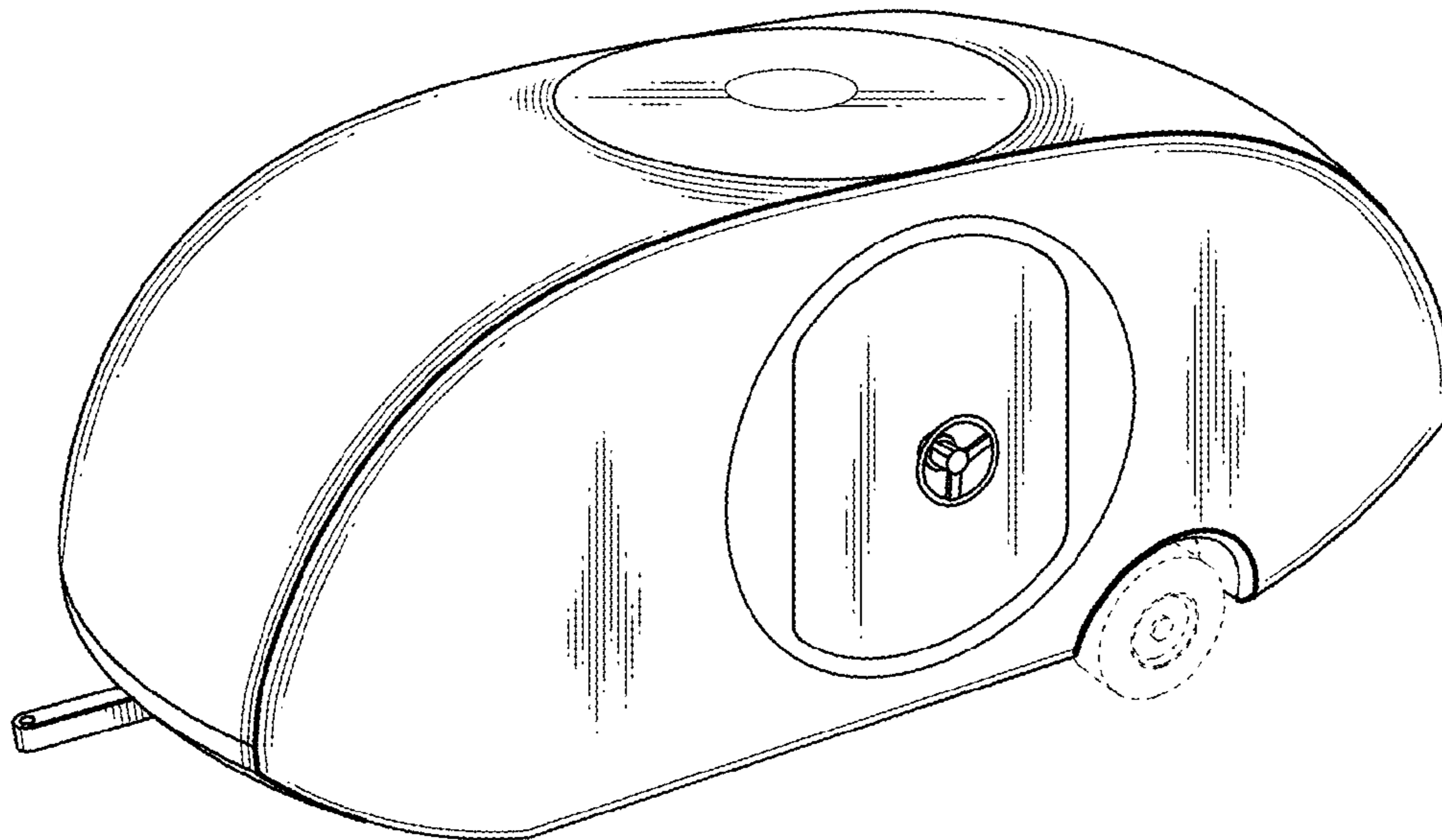
(57) **CLAIM**

The ornamental design for an evacuation cabin, as shown and described.

DESCRIPTION

FIG. 1 is a front, right perspective view of an evacuation cabin showing my new design;
FIG. 2 is a front view thereof;
FIG. 3 is a rear view thereof;
FIG. 4 is a left side view thereof;
FIG. 5 is a right side view thereof;
FIG. 6 is a top view thereof; and,
FIG. 7 is a bottom view thereof.
In the drawings, the broken lines in depict wheels and form no part of the claimed design.

1 Claim, 5 Drawing Sheets



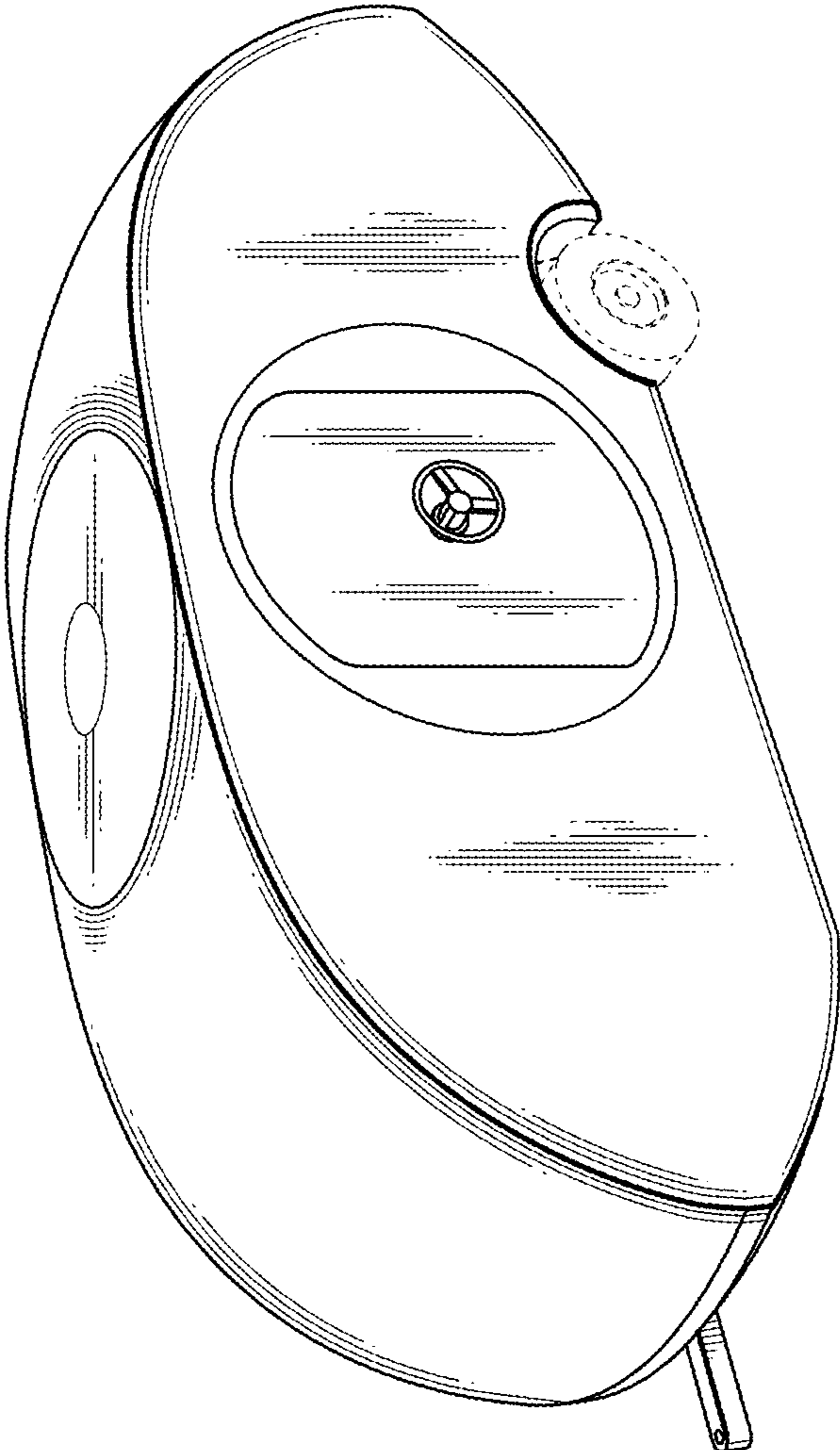


FIG. 1

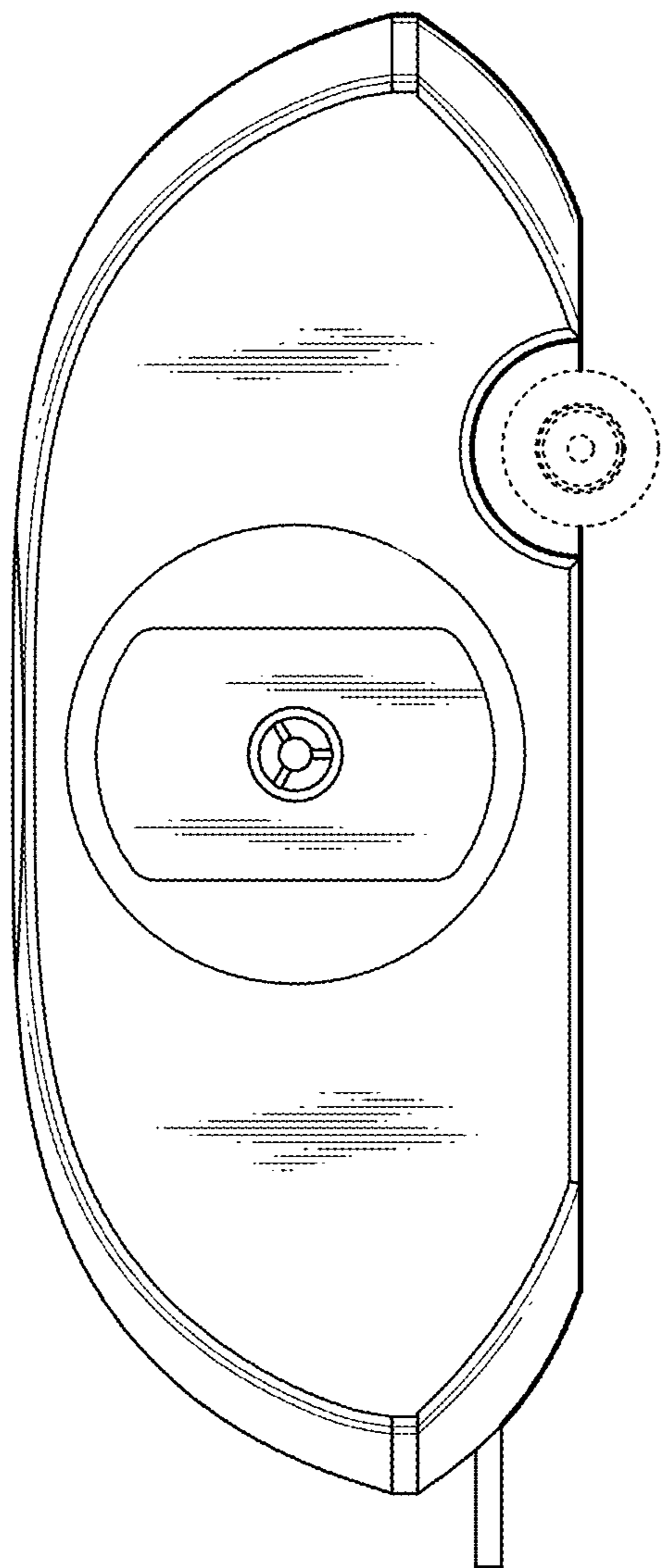


FIG. 2

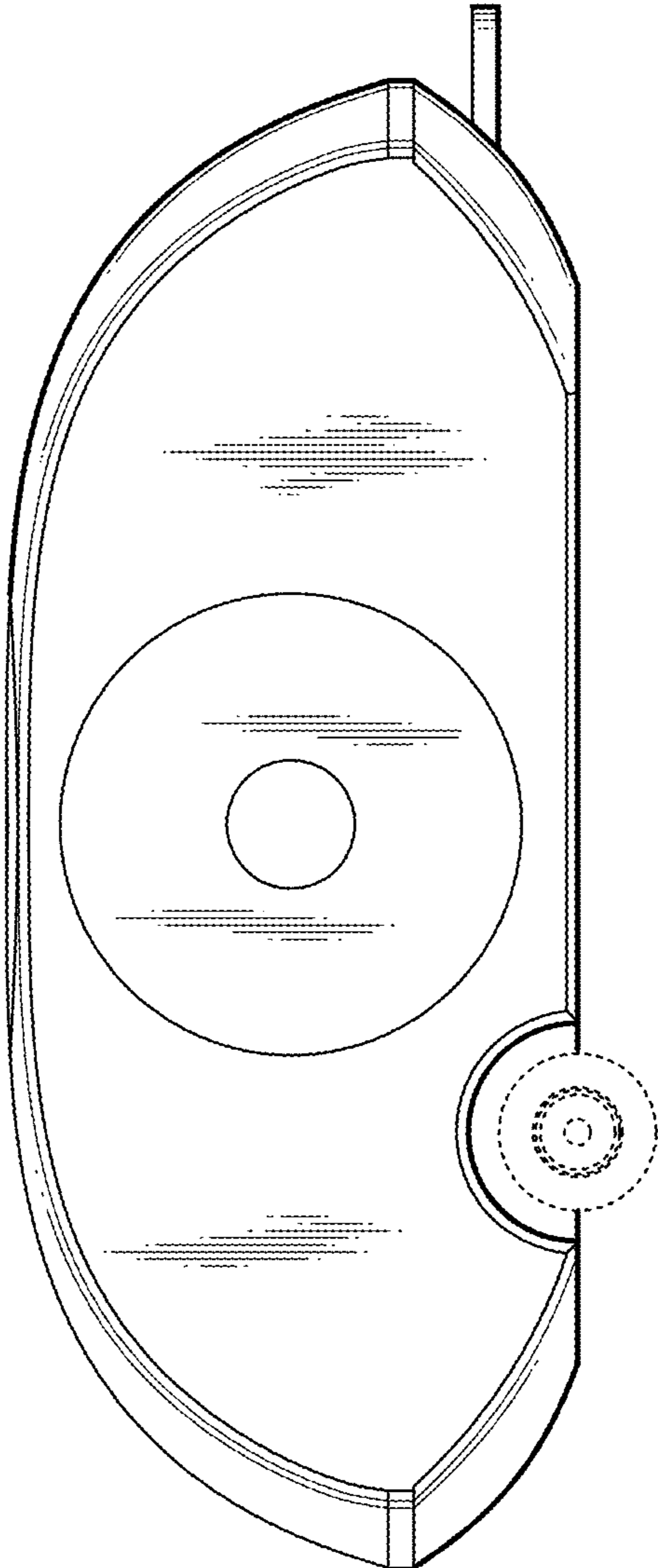


FIG. 3

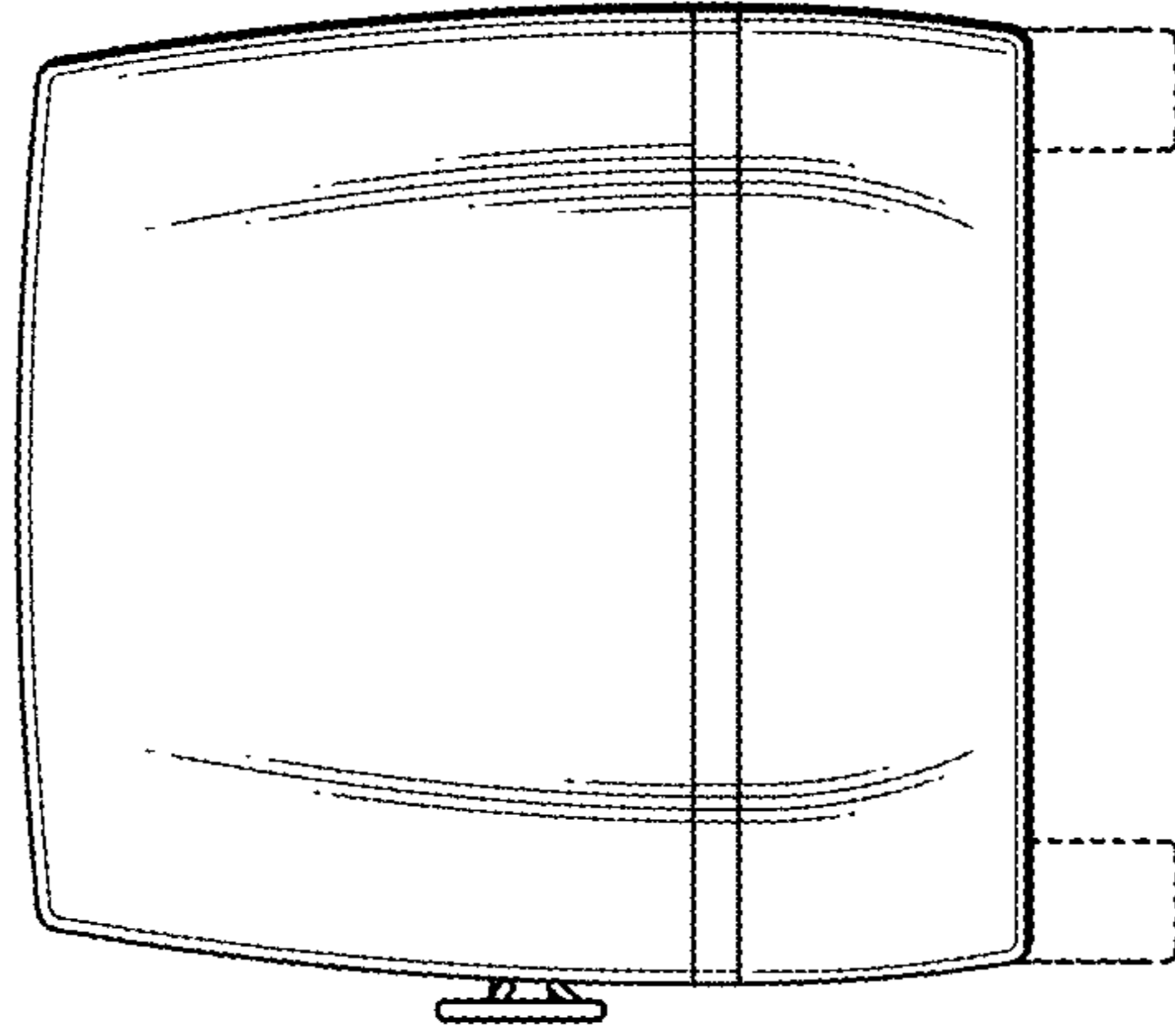


FIG. 5

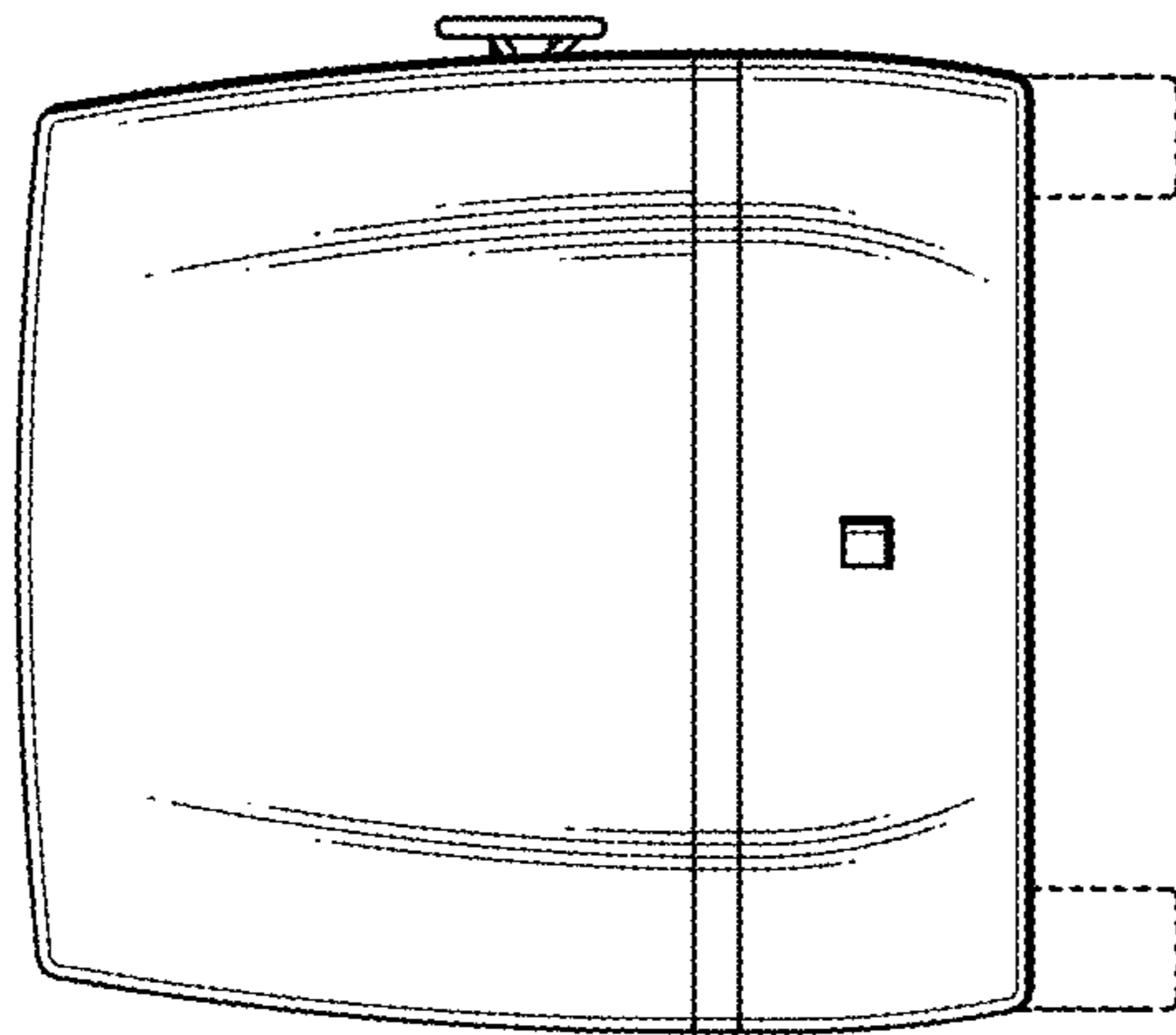


FIG. 4

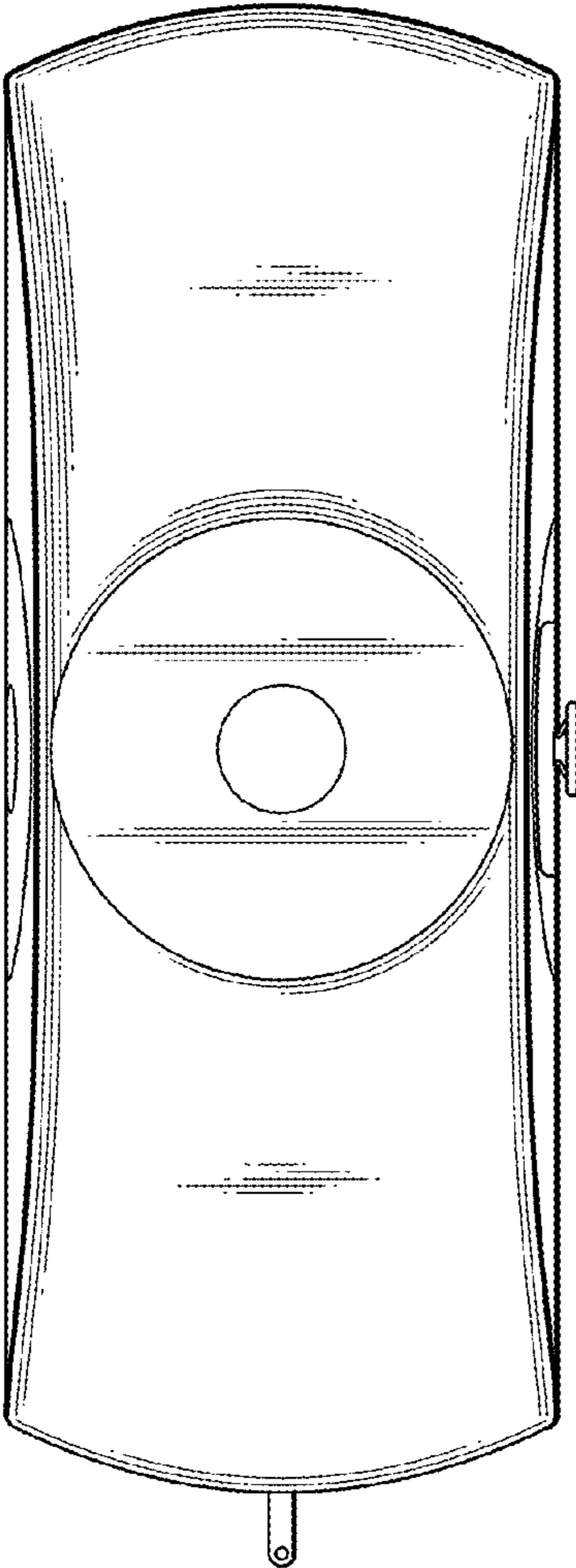


FIG. 6

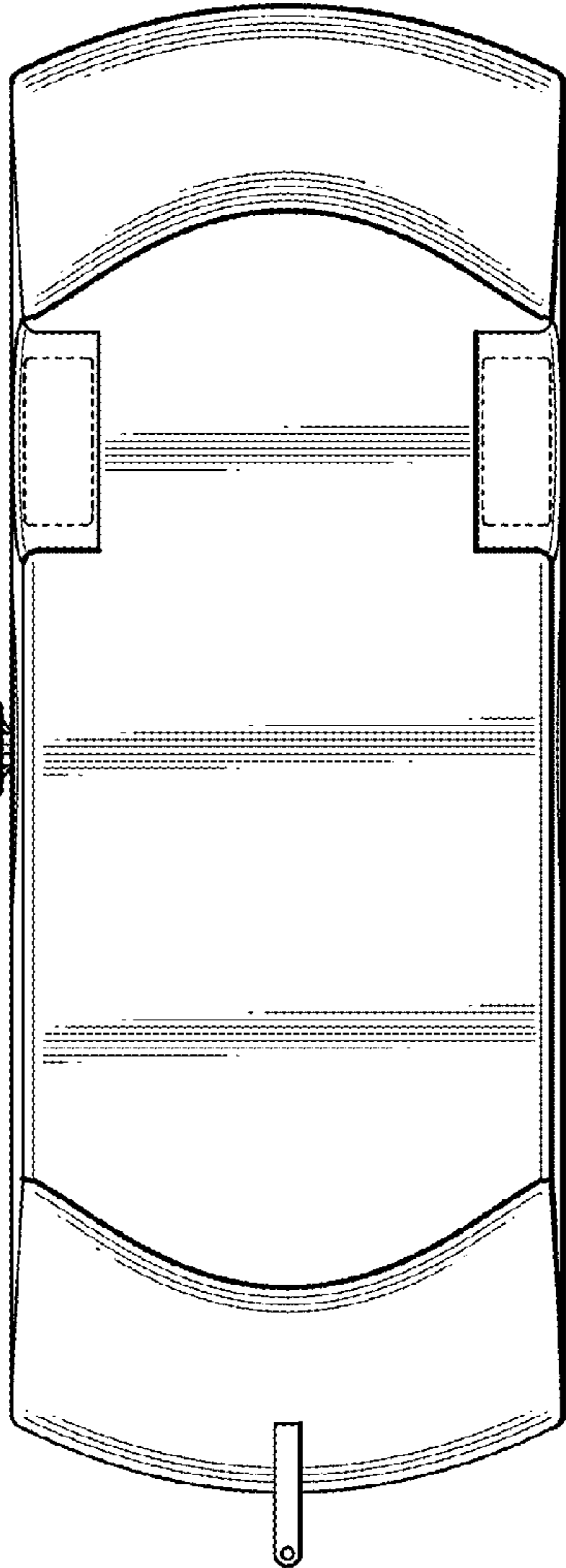


FIG. 7