



US00D689399S

(12) **United States Design Patent**  
**Kim et al.**

(10) **Patent No.:** **US D689,399 S**  
(45) **Date of Patent:** **\*\* Sep. 10, 2013**

(54) **AUTOMOBILE FOR PASSENGERS**

(71) Applicant: **Kia Motors Corporation**, Seoul (KR)

(72) Inventors: **Hyung Joon Kim**, Gyeonggi-do (KR);  
**Sung Wook Kim**, Seoul (KR)

(73) Assignee: **Kia Motors Corporation**, Seoul (KR)

(\*\*) Term: **14 Years**

(21) Appl. No.: **29/442,028**

(22) Filed: **Nov. 15, 2012**

(30) **Foreign Application Priority Data**

Jun. 4, 2012 (KR) ..... 30-2012-0027311

(51) **LOC (9) Cl.** ..... **12-08**

(52) **U.S. Cl.**  
USPC ..... **D12/91**

(58) **Field of Classification Search**  
USPC ..... D12/86, 90-92; 296/181.1, 181.5;  
D21/424, 433

See application file for complete search history.

(56) **References Cited**

**U.S. PATENT DOCUMENTS**

D512,000 S \* 11/2005 Suzuki et al. .... D12/91  
D544,404 S \* 6/2007 Pfeiffer ..... D12/91  
D584,658 S \* 1/2009 Minami ..... D12/91

D602,399 S \* 10/2009 Sakae et al. .... D12/91  
D626,885 S \* 11/2010 Bischoff et al. .... D12/91  
D647,821 S \* 11/2011 Bischoff et al. .... D12/91  
D670,606 S \* 11/2012 Frenzel et al. .... D12/91  
D672,688 S \* 12/2012 Kubota et al. .... D12/91

\* cited by examiner

*Primary Examiner* — Susan M Lee  
*Assistant Examiner* — Linda Brooks

(74) *Attorney, Agent, or Firm* — Edwards Wildman Palmer  
LLP

(57) **CLAIM**

The ornamental design for an automobile for passengers, as shown and described.

**DESCRIPTION**

FIG. 1 is a perspective view of an automobile for passengers according to the present invention.

FIG. 2 is a front view of the automobile for passengers of FIG. 1.

FIG. 3 is a rear view of the automobile for passengers of FIG. 1.

FIG. 4 is a left side view of the automobile for passengers of FIG. 1.

FIG. 5 is a right side view of the automobile for passengers of FIG. 1; and,

FIG. 6 is a top view of the automobile for passengers of FIG. 1.

A bottom view thereof is omitted since the bottom is devoid of surface ornamentation.

**1 Claim, 6 Drawing Sheets**



FIG. 1

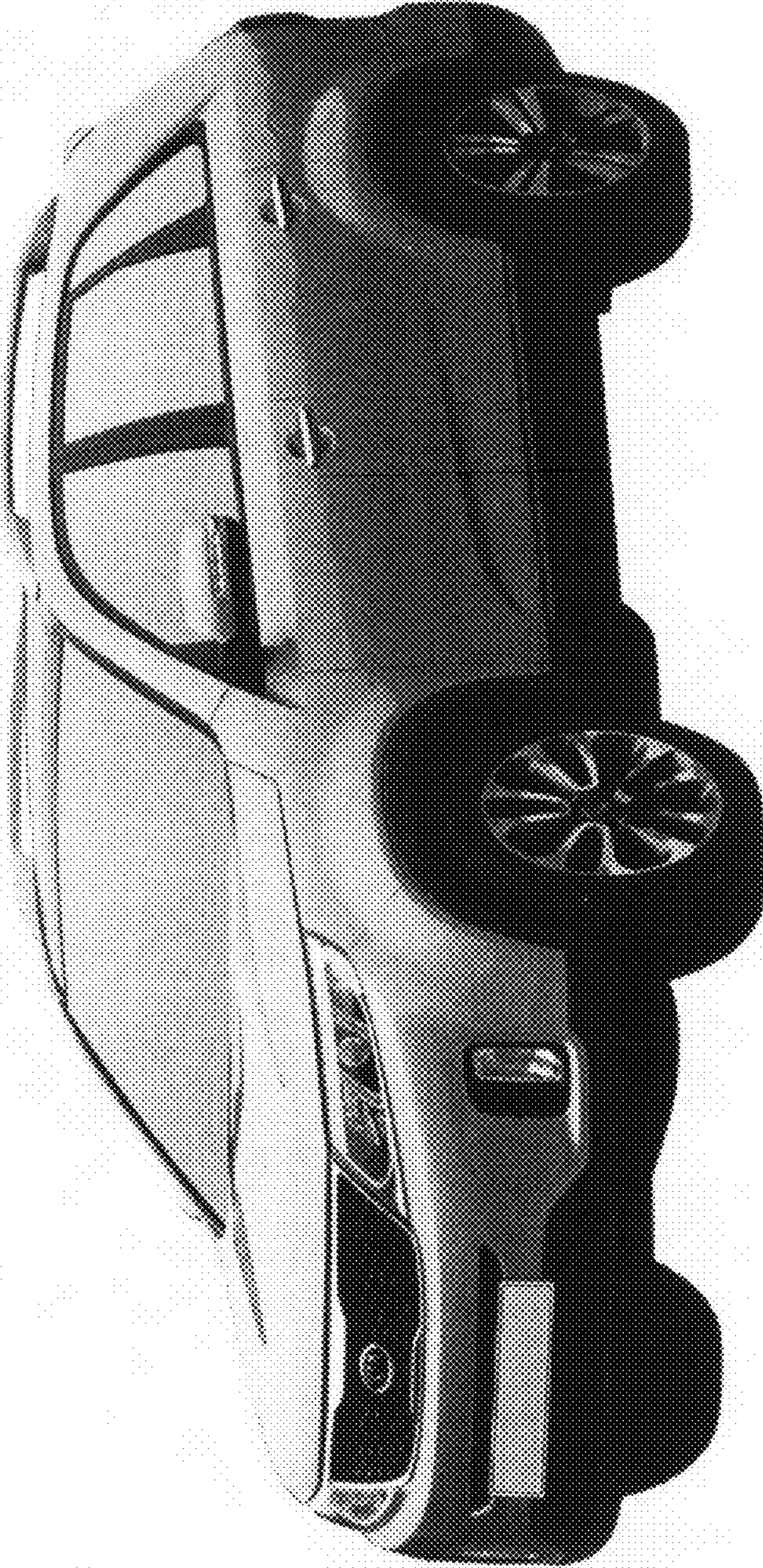


FIG. 2

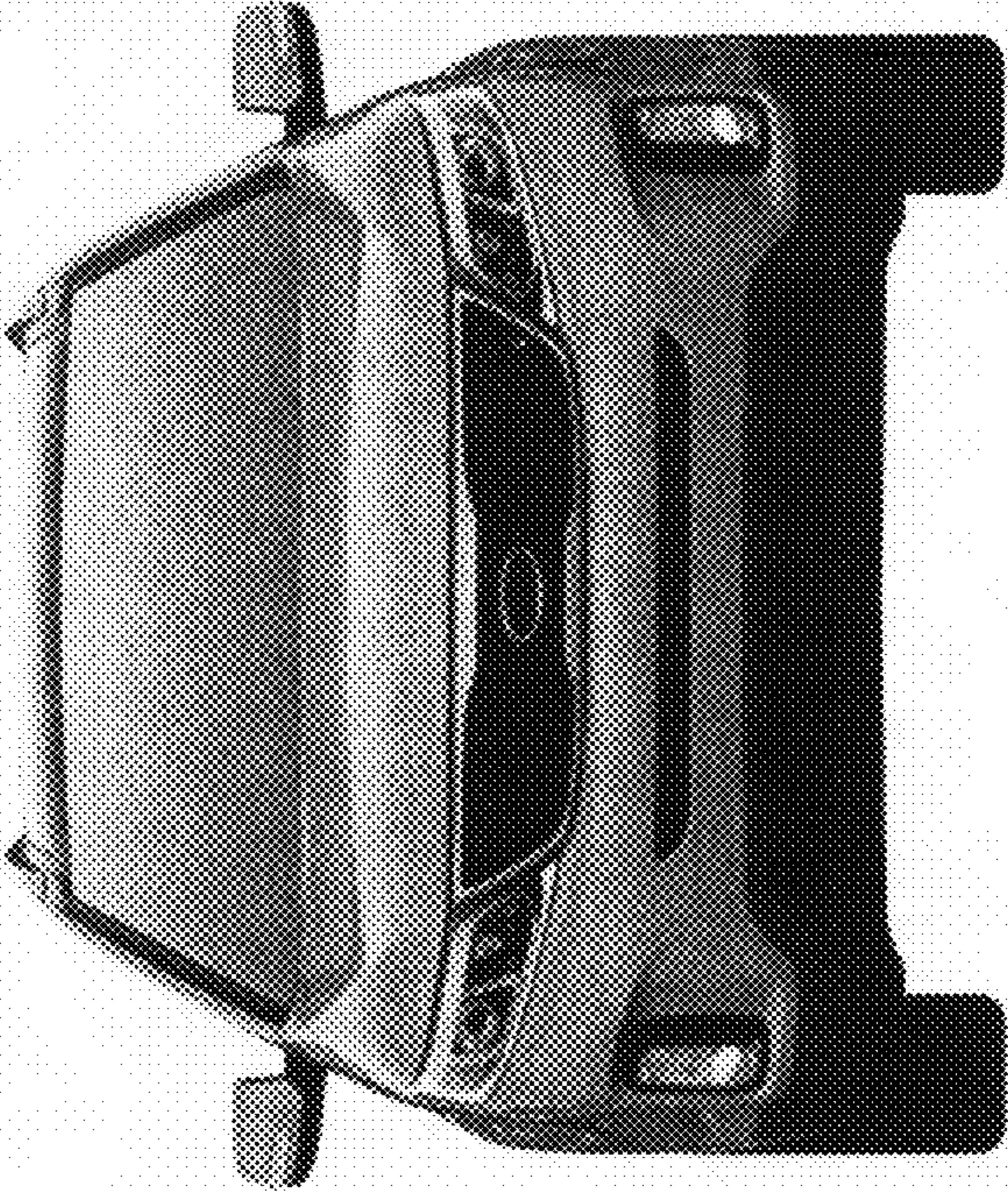


FIG. 3

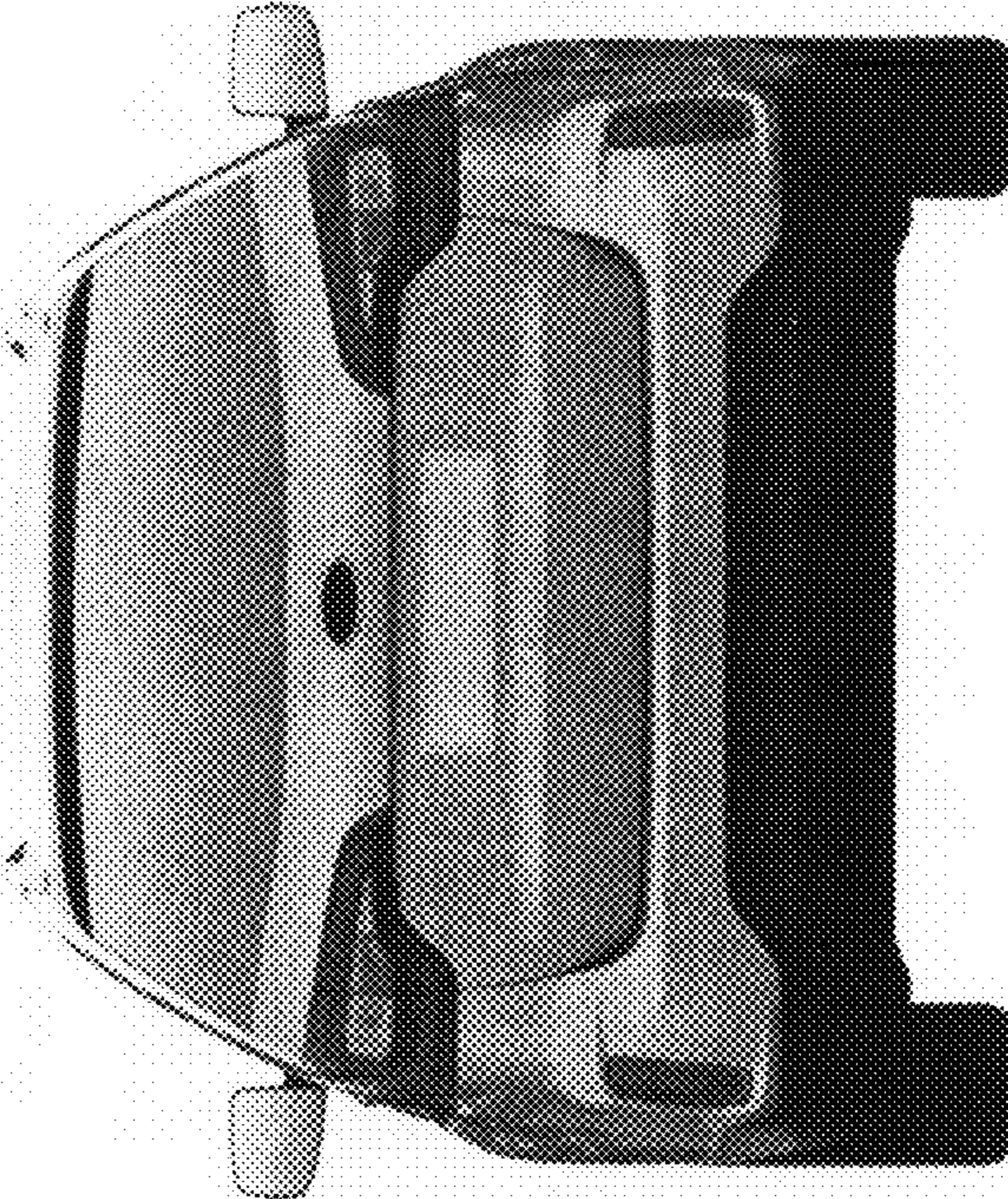


FIG. 4

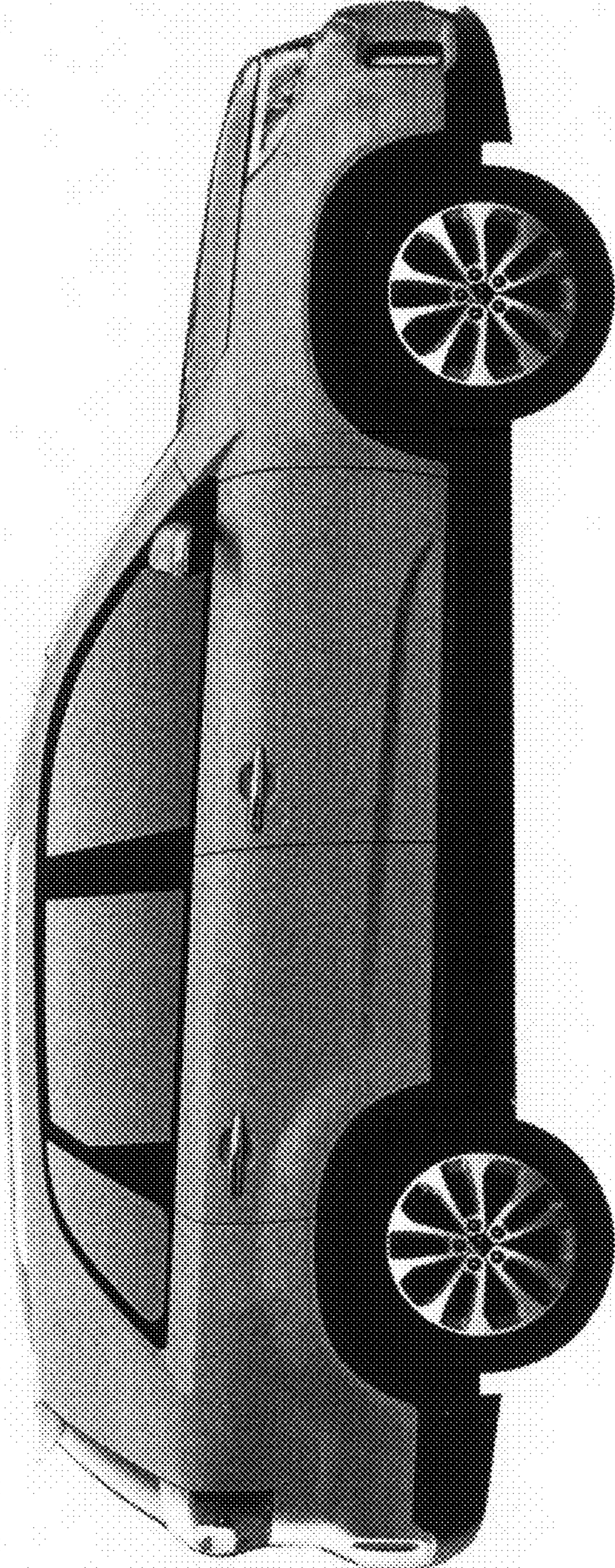


FIG. 5

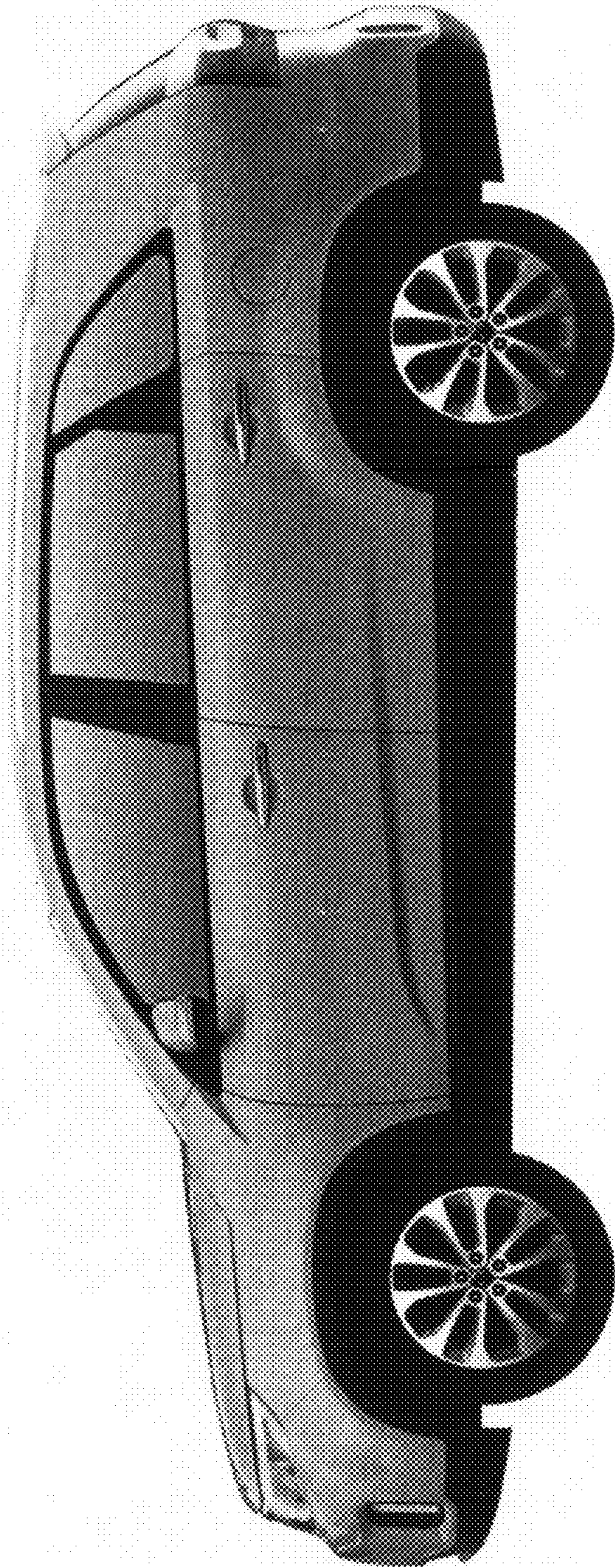


FIG. 6

