



US00D689395S

(12) **United States Design Patent**
Chan

(10) **Patent No.:** **US D689,395 S**

(45) **Date of Patent:** **** Sep. 10, 2013**

(54) **SNAP BUTTON**

(75) **Inventor:** **Yick Fai Chan**, Tsing Yi (HK)

(73) **Assignee:** **Duraflex Hong Kong Limited**, Sheung Wan (HK)

(**) **Term:** **14 Years**

(21) **Appl. No.:** **29/410,180**

(22) **Filed:** **Jan. 5, 2012**

(51) **LOC (9) Cl.** **02-07**

(52) **U.S. Cl.**
USPC **D11/220**

(58) **Field of Classification Search**
USPC D11/220, 22, 226, 218; 24/1, 681,
24/689-691, 18, 683, 108, 674, 692, 621-623,
24/671, 662, 618; 292/319; D8/382
See application file for complete search history.

(56) **References Cited**

U.S. PATENT DOCUMENTS

1,358,098	A	11/1920	Normand
2,131,347	A	9/1938	Fenton
2,212,361	A	8/1940	Arthur
2,519,316	A	8/1950	Jones
2,546,716	A	3/1951	Bedford, Jr.
2,668,340	A	2/1954	Jones
2,799,910	A	7/1957	Weber
2,941,270	A	6/1960	Long
2,981,992	A	5/1961	Daniel
3,083,430	A	4/1963	Shears
3,152,376	A	10/1964	Boser et al.
3,290,744	A	12/1966	Silver
3,328,854	A	7/1967	Tombari
3,551,963	A	1/1971	Mosher, Jr. et al.
3,783,477	A	1/1974	Hamilton et al.
3,916,756	A	11/1975	Yoda
3,965,952	A	6/1976	Rivman et al.

4,475,273	A	10/1984	Konno
4,562,624	A	1/1986	Kanzaka
4,698,881	A	10/1987	Watanabe
4,751,773	A	6/1988	Nysten
4,805,272	A	2/1989	Yamaguchi

(Continued)

FOREIGN PATENT DOCUMENTS

CN	2354410	Y	12/1999
CN	2364717	Y	2/2000

Primary Examiner — Zenia Bennett

(74) *Attorney, Agent, or Firm* — Collard & Roe, P.C.

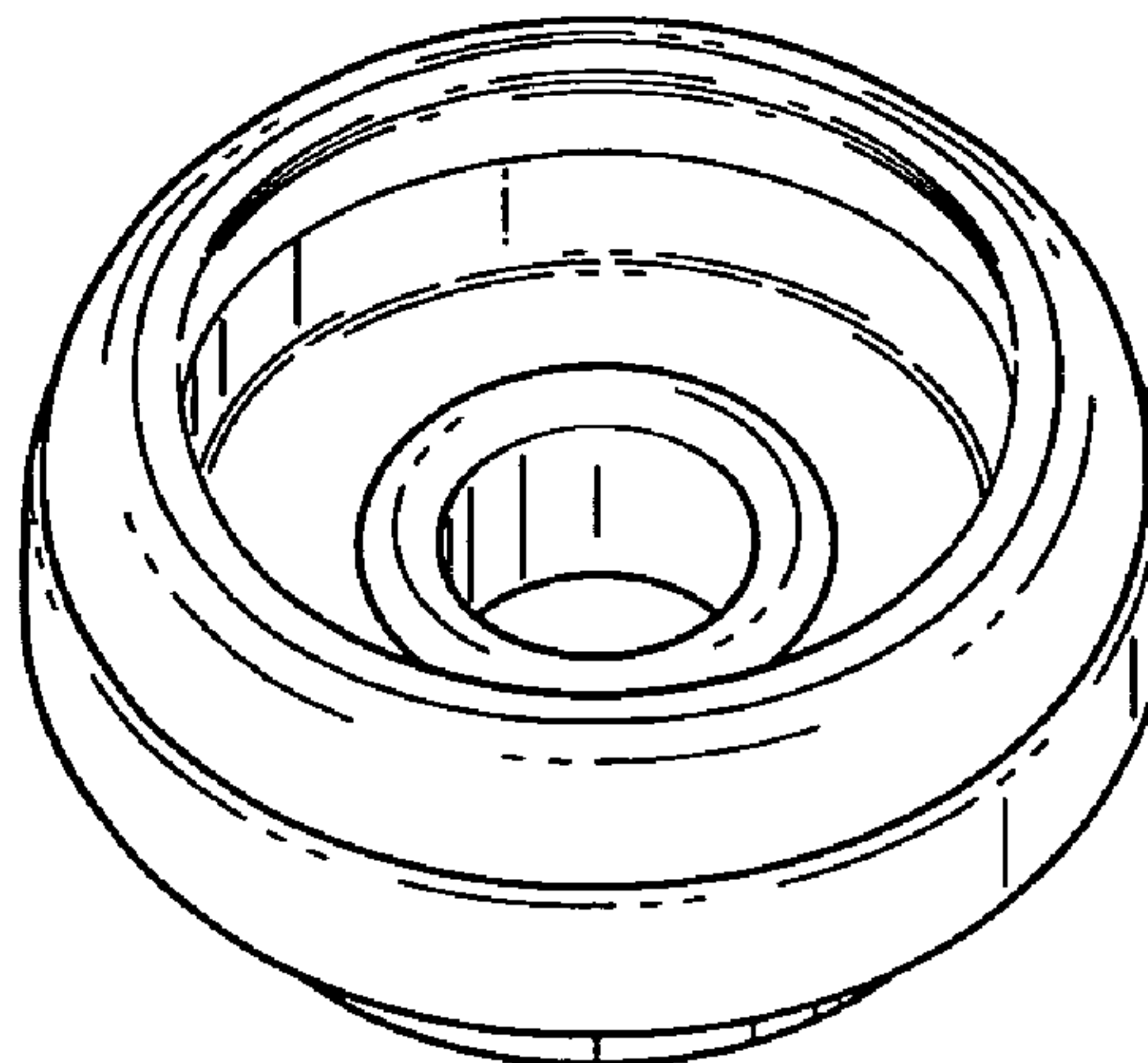
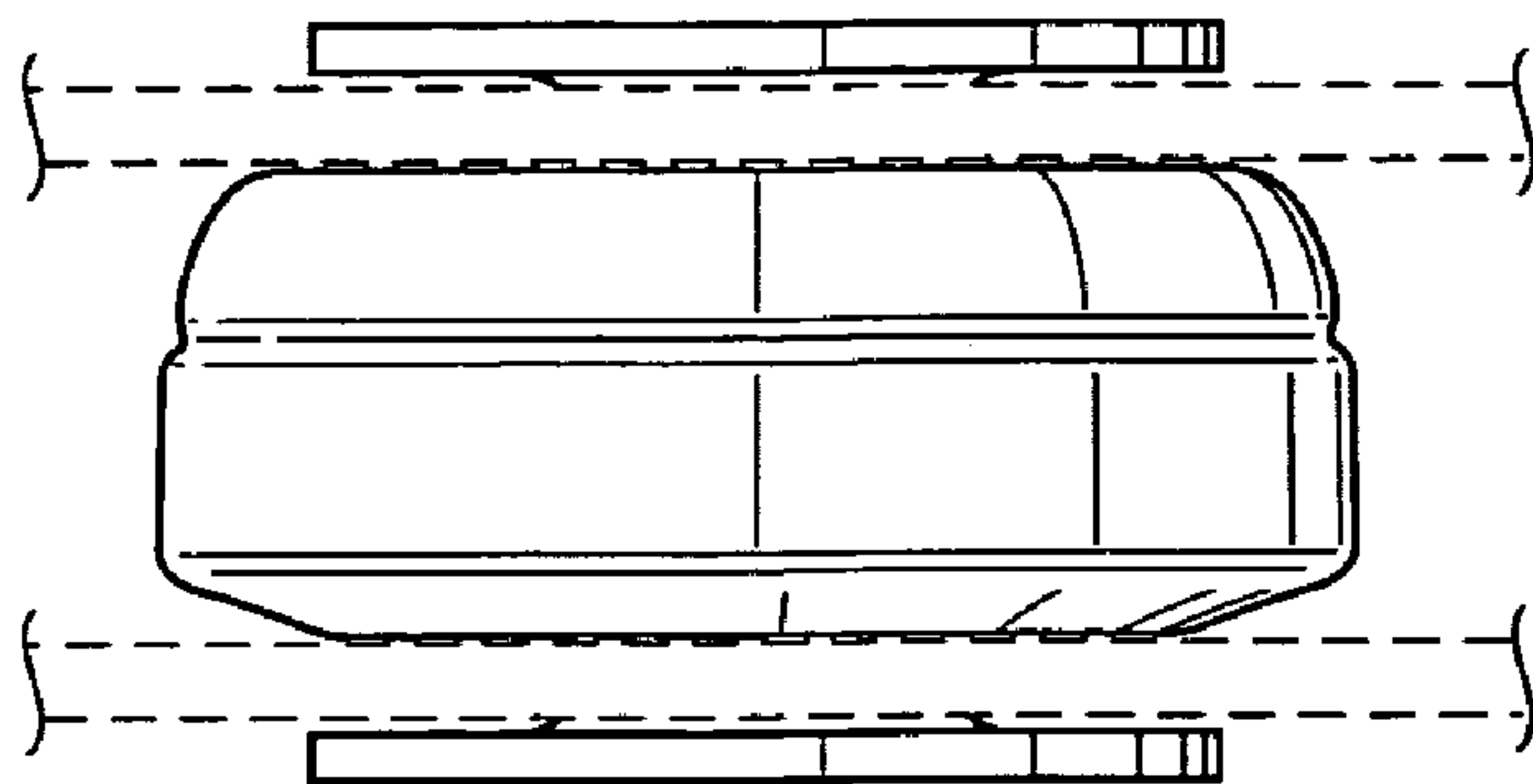
(57) **CLAIM**

The ornamental design for a snap button, as shown and described.

DESCRIPTION

FIG. 1 is a side view of a snap button showing my new design, with all other side views being identical;
 FIG. 2 is a top view thereof;
 FIG. 3 is a bottom view thereof;
 FIG. 4 is a side cross-sectional view along lines 4-4 of FIG. 2, showing the design of the interior portions of the snap button;
 FIG. 5 is a side view of the female portion of the snap button, with the male portion being removed for ease of illustration;
 FIG. 6 is a top perspective view of the female portion shown in FIG. 5;
 FIG. 7 is a side cross-sectional view along lines 7-7 of FIG. 5;
 FIG. 8 is a side view of the male portion of the snap button, with the female portion being removed for ease of illustration;
 FIG. 9 is a top and side perspective view of the male portion of FIG. 8; and,
 FIG. 10 is a side cross-sectional view of the male portion along lines 10-10 of FIG. 8.
 The portions shown in broken lines show environmental structure only and form no part of the claimed invention.

1 Claim, 4 Drawing Sheets



(56)

References Cited

U.S. PATENT DOCUMENTS

4,805,273 A 2/1989 Burke et al.
 D301,566 S 6/1989 Heiberger
 D301,567 S 6/1989 Burke
 4,847,959 A 7/1989 Shimada et al.
 D319,201 S * 8/1991 Aoki D11/220
 5,101,541 A 4/1992 Watanabe
 5,212,851 A 5/1993 Wantanabe
 D350,501 S 9/1994 Schriever
 5,375,302 A 12/1994 Takamura
 D367,438 S 2/1996 Schriever

5,642,558 A 7/1997 Bodkin, Sr.
 5,933,929 A 8/1999 Kawakami et al.
 5,940,940 A 8/1999 Tanikoshi et al.
 D415,717 S 10/1999 Akashi
 D473,820 S 4/2003 Ming
 7,157,152 B2 * 1/2007 Urata et al. 428/639
 7,490,386 B2 * 2/2009 Raccosta 24/114.9
 7,867,625 B2 * 1/2011 Urata et al. 428/639
 8,122,574 B2 * 2/2012 Dammermann 24/681
 D665,304 S * 8/2012 Takeda D11/220
 D678,816 S * 3/2013 Chan D11/220

* cited by examiner

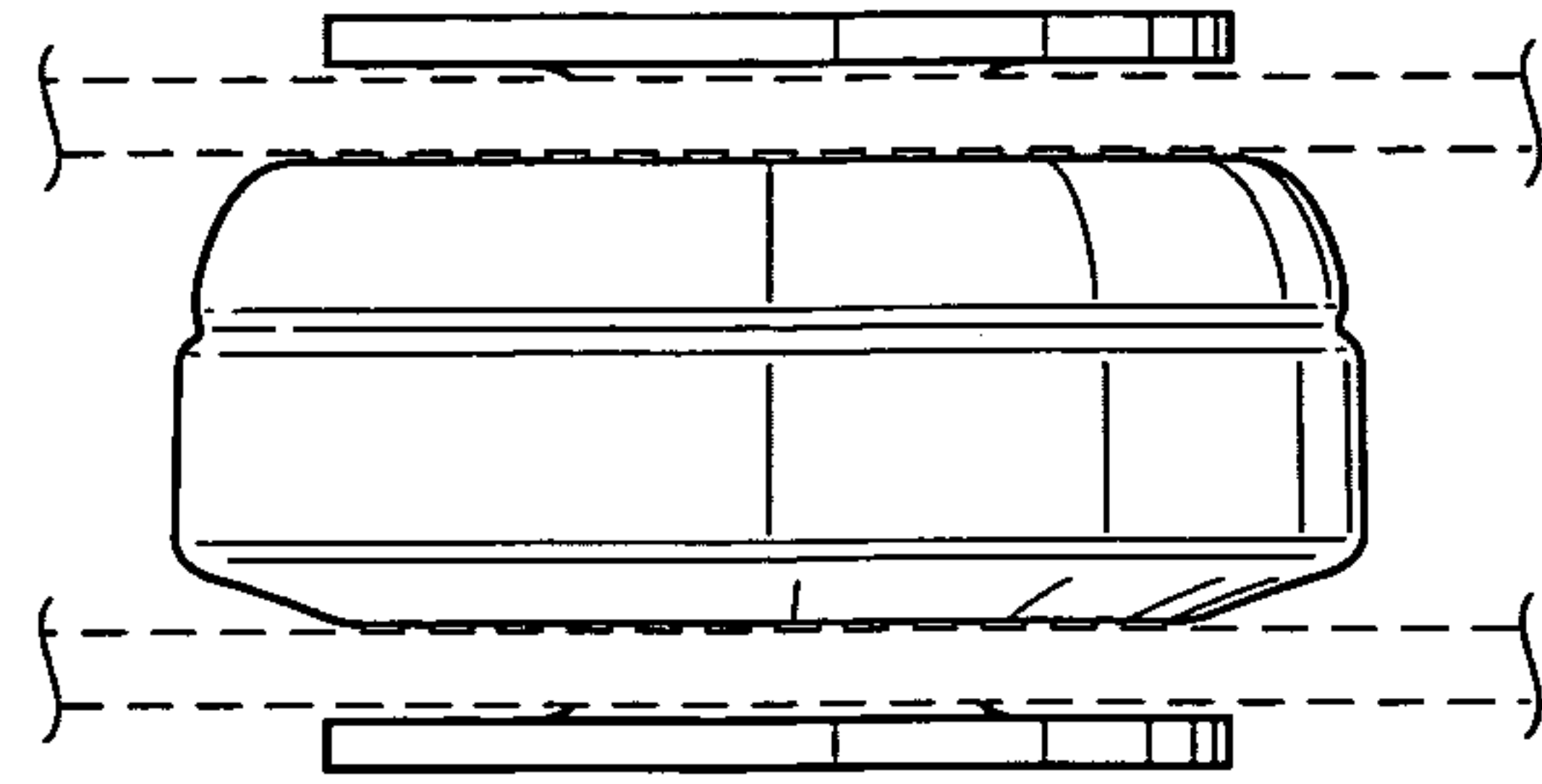


FIG. 1

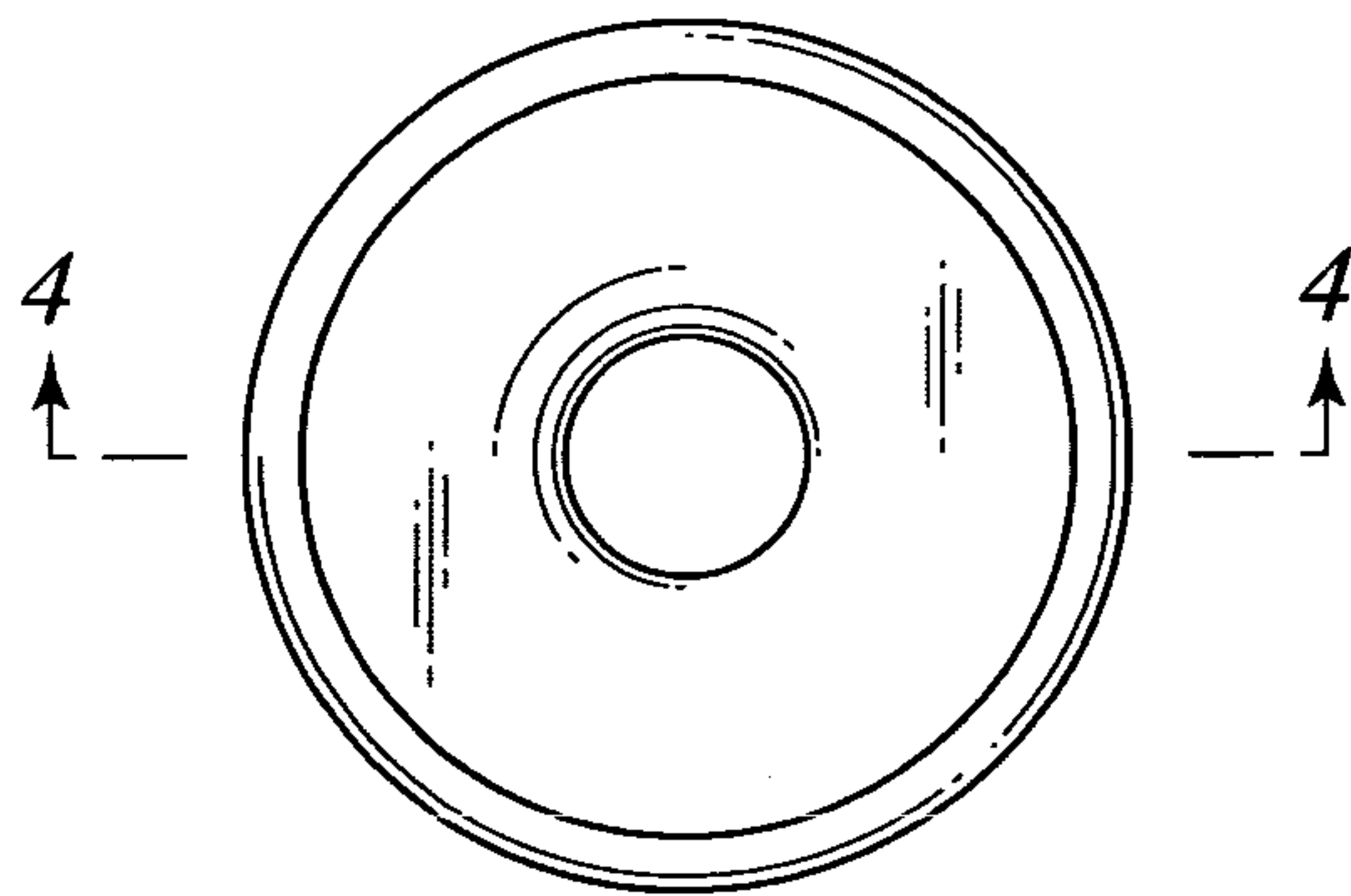


FIG. 2

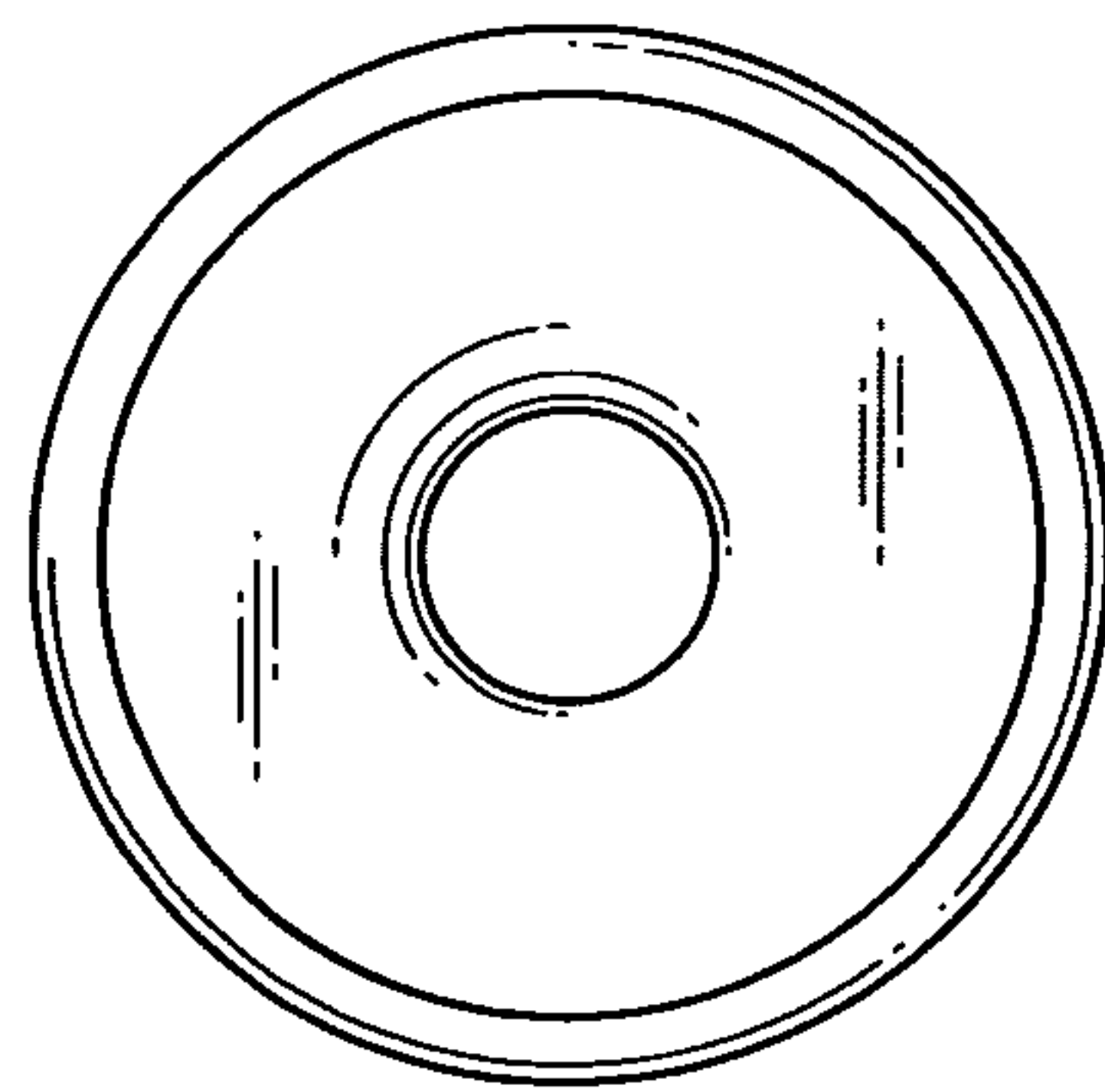


FIG. 3

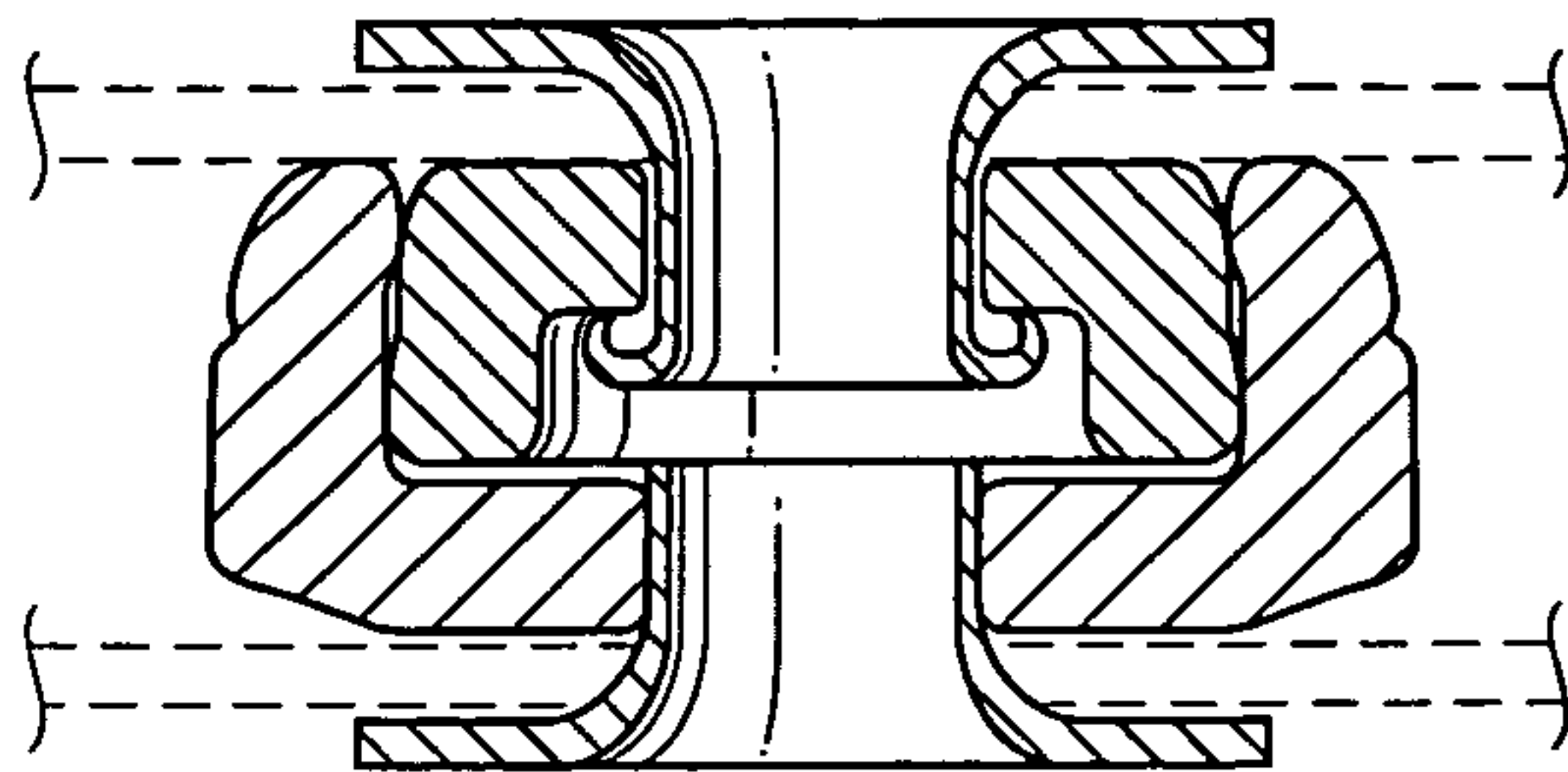


FIG. 4

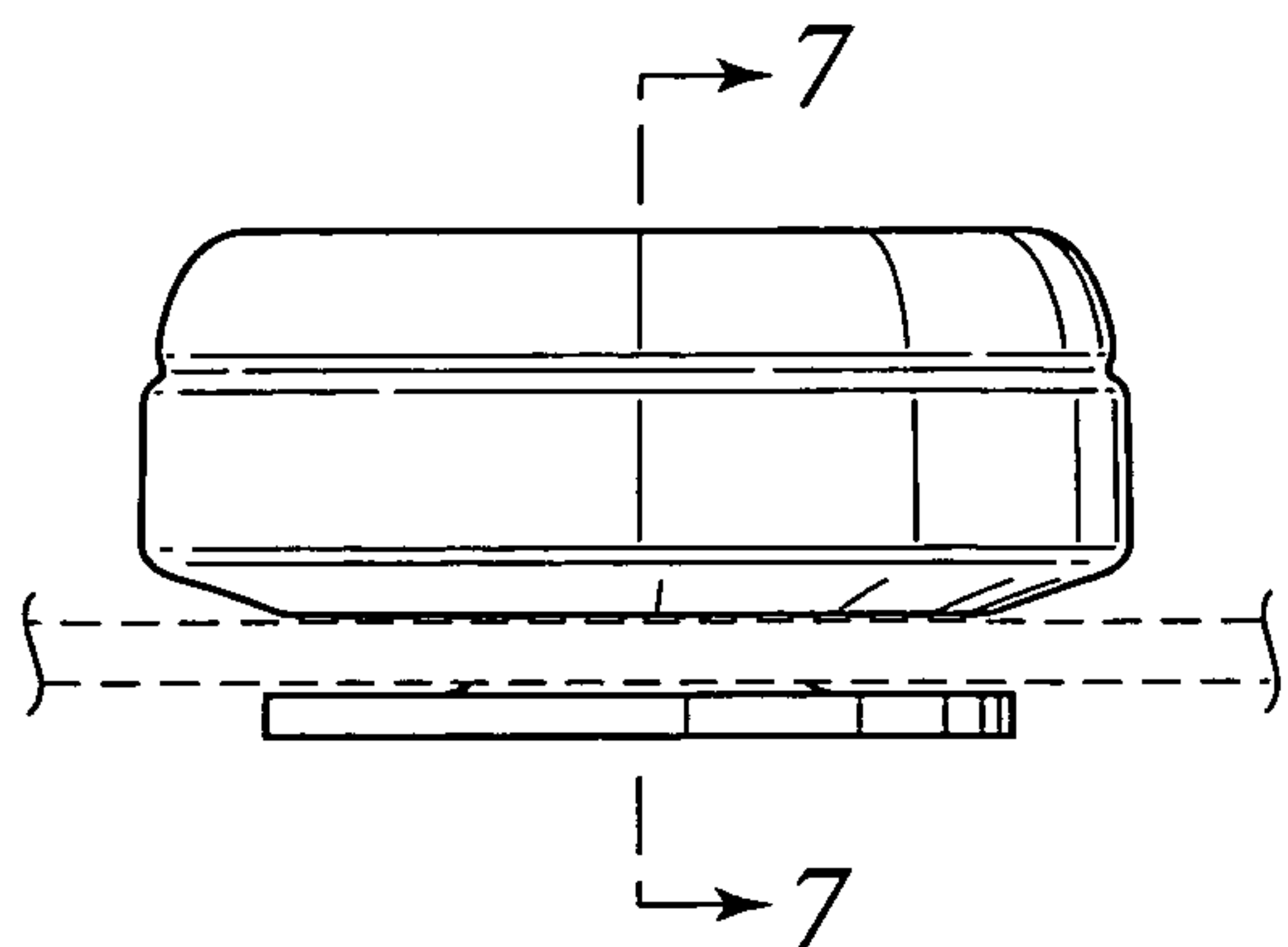


FIG. 5

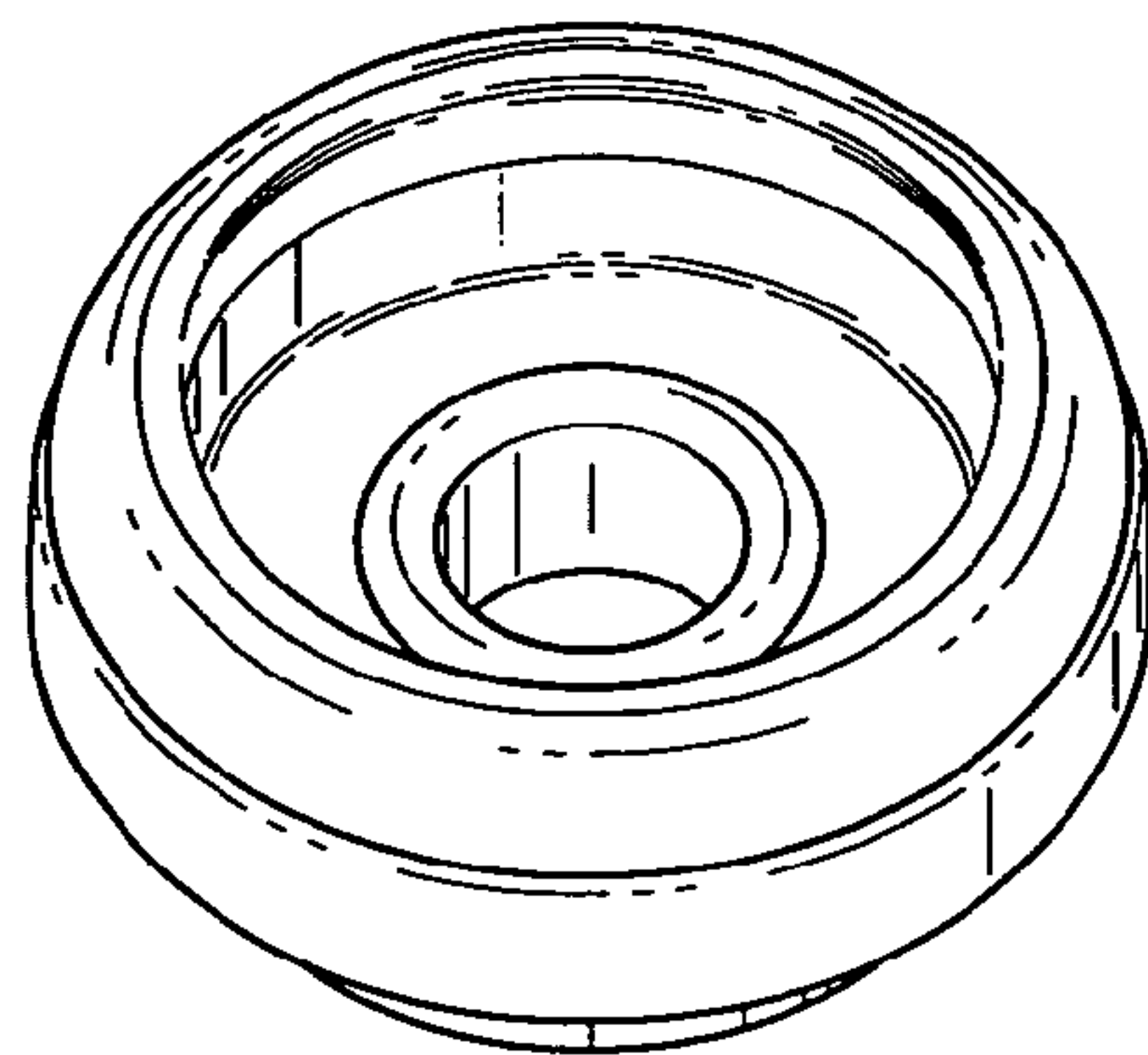


FIG. 6

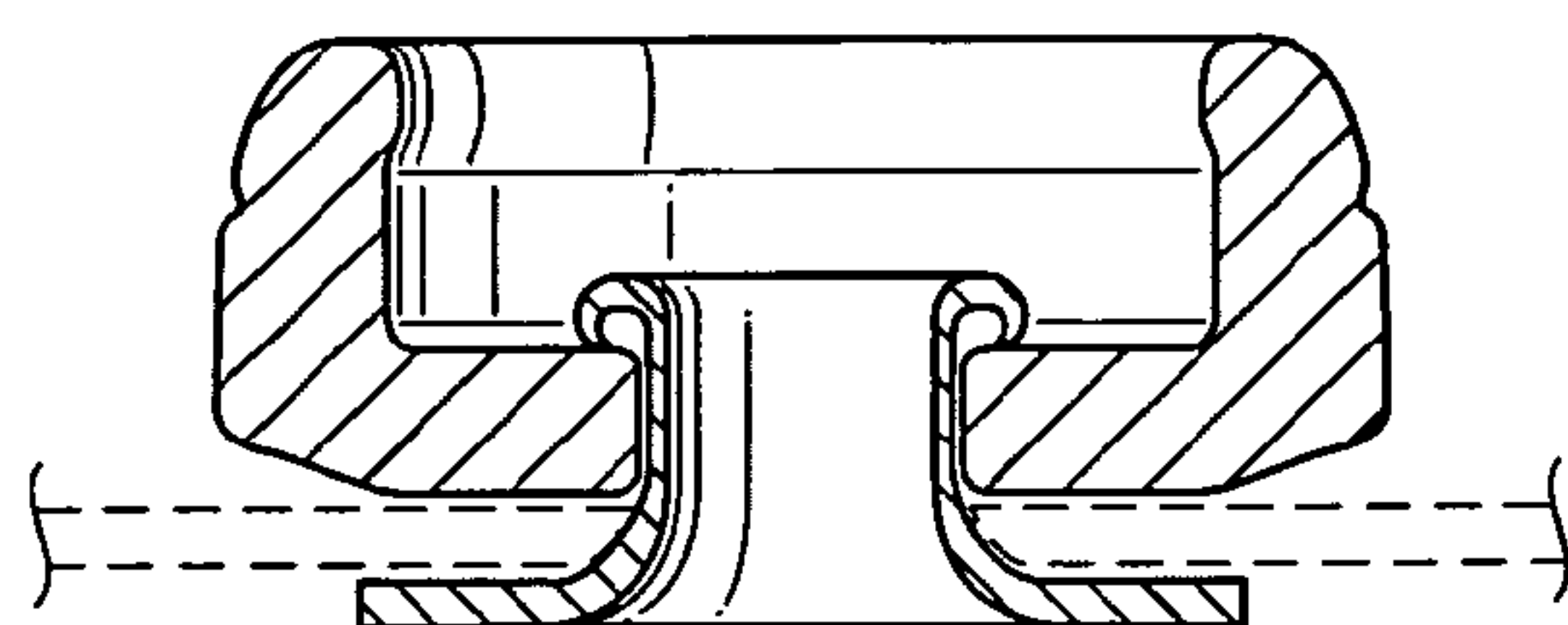


FIG. 7

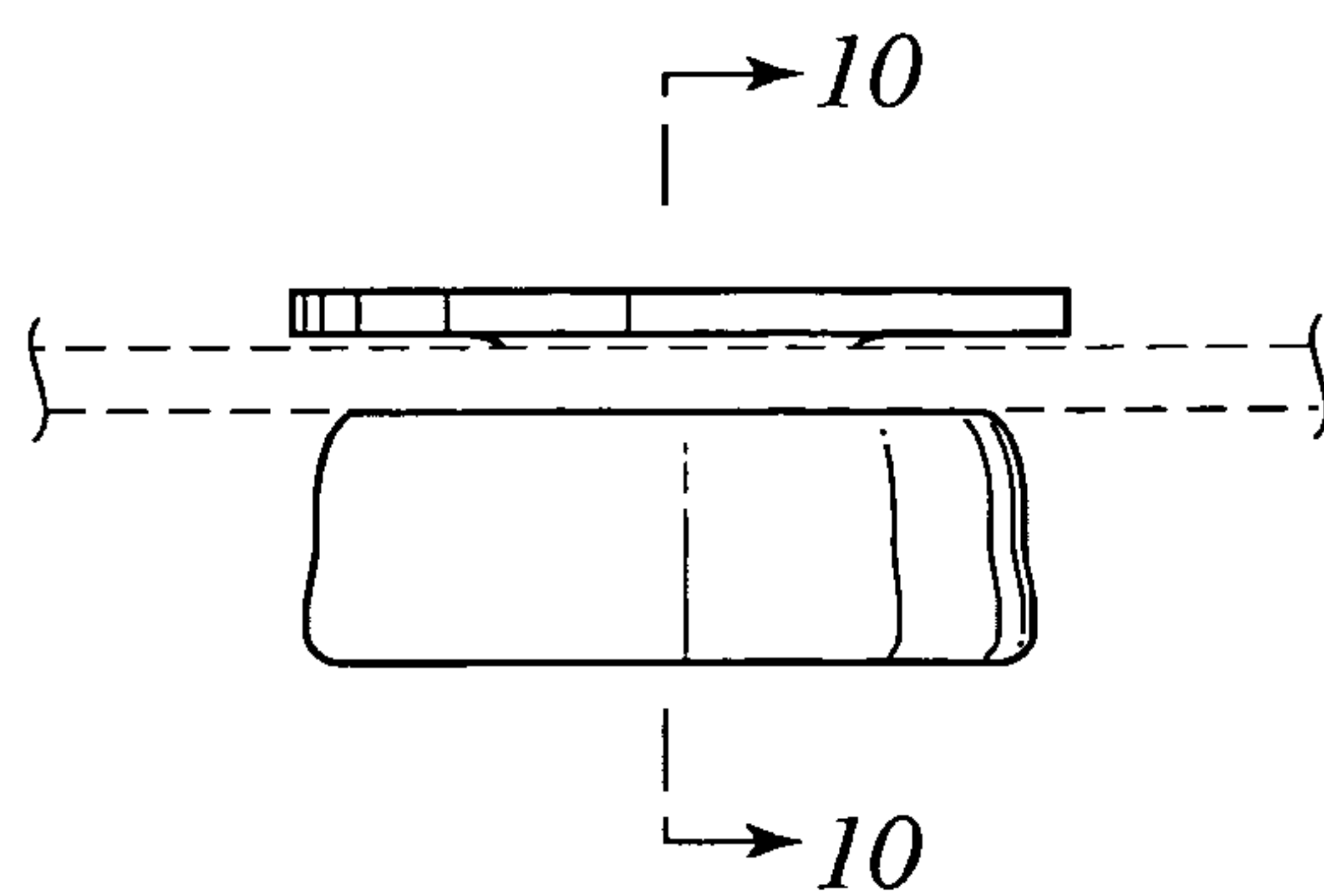


FIG. 8

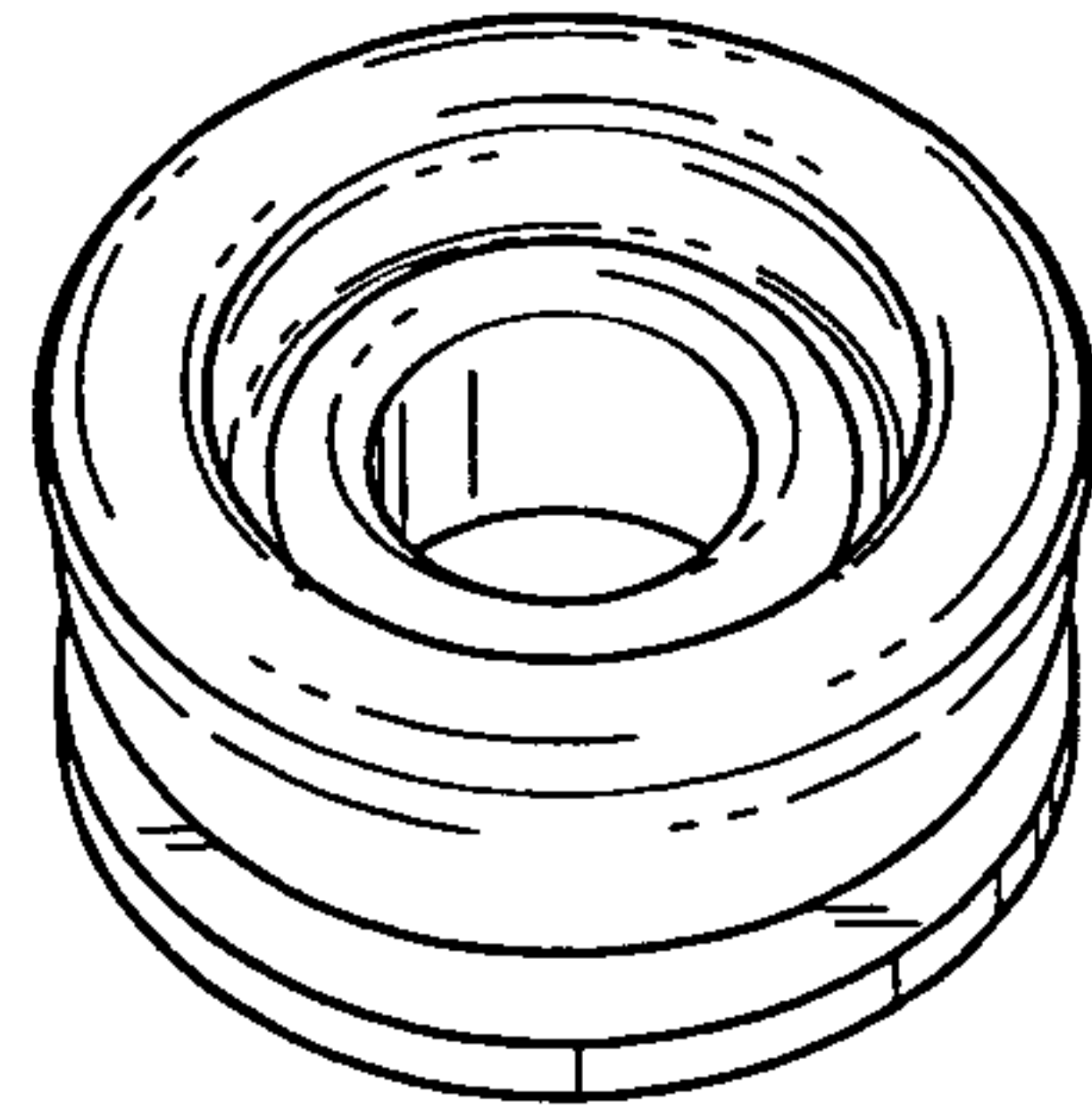


FIG. 9

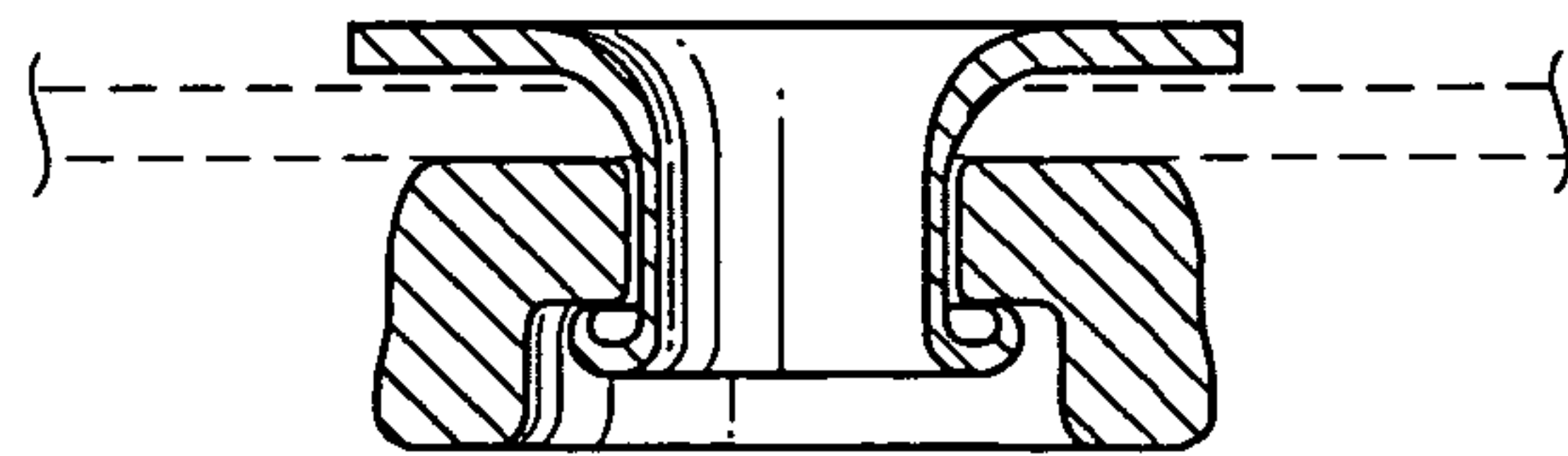


FIG. 10