



US00D689392S

(12) **United States Design Patent**
Parvex

(10) **Patent No.:** **US D689,392 S**

(45) **Date of Patent:** **** Sep. 10, 2013**

(54) **EARRING**

OTHER PUBLICATIONS

(75) Inventor: **Isa Parvex**, Bagneux (FR)

[online] <http://2.bp.blogspot.com/-ZyxDwulm1lw/T3VSS5LJQ3PI/AAAAAAAAADJA/Lq9ayn97kVc/s1600/Montblanc+P%C3%A9tales+de+Rose+series+a.jpg>. Accessed Dec. 12, 2012.*

(73) Assignee: **Montblanc-Simplo GmbH**, Hamburg (DE)

[online] http://media-cache-ec3.pinterest.com/upload/8303580534030607_7ArefDhJ_b.jpg. Accessed Dec. 12, 2012.*

(**) Term: **14 Years**

[online] <http://www4.images.coolspotters.com/photos/825082/montblanc-petales-de-rose-ring-profile.jpg>. Accessed Dec. 12, 2012.*

(21) Appl. No.: **29/427,038**

[online] http://www.thejewelleryeditor.com/media/310575/montblanc_collection_princesse_grace_de_monaco_petales_de_rose_motif_earrings_107969.jpg. Accessed Dec. 12, 2012.*

(22) Filed: **Jul. 13, 2012**

(30) **Foreign Application Priority Data**

Jan. 16, 2012 (WO) DM/077 637

(51) **LOC (9) Cl.** **11-01**

(52) **U.S. Cl.**
USPC **D11/43**

(58) **Field of Classification Search**
USPC D11/79–85, 89–91, 40–48, 1–8;
63/26–28, 12–14, 3, 3.1, 3.2
See application file for complete search history.

(56) **References Cited**

U.S. PATENT DOCUMENTS

D173,224 S *	10/1954	Katz	D11/45
D186,460 S *	10/1959	Kunzmann	D11/79
D256,003 S *	7/1980	Barr	D11/43
D279,463 S *	7/1985	Barr	D11/86
D485,779 S *	1/2004	Steckbeck	D11/7
D570,240 S *	6/2008	Gruosi-Scheufele	D11/79
D630,967 S *	1/2011	Lebail	D11/43
D631,384 S *	1/2011	Papadimitriou	D11/43
D631,385 S *	1/2011	Lebail	D11/43
D631,386 S *	1/2011	Ventura	D11/79
D653,985 S *	2/2012	Sandberg	D11/79
D653,991 S *	2/2012	Sandberg	D11/179
D658,530 S *	5/2012	Papadimitriou	D11/43

* cited by examiner

Primary Examiner — Jennifer Rivard

Assistant Examiner — Melanie Pellegrini

(74) *Attorney, Agent, or Firm* — Krieg DeVault LLP; Clifford W. Browning

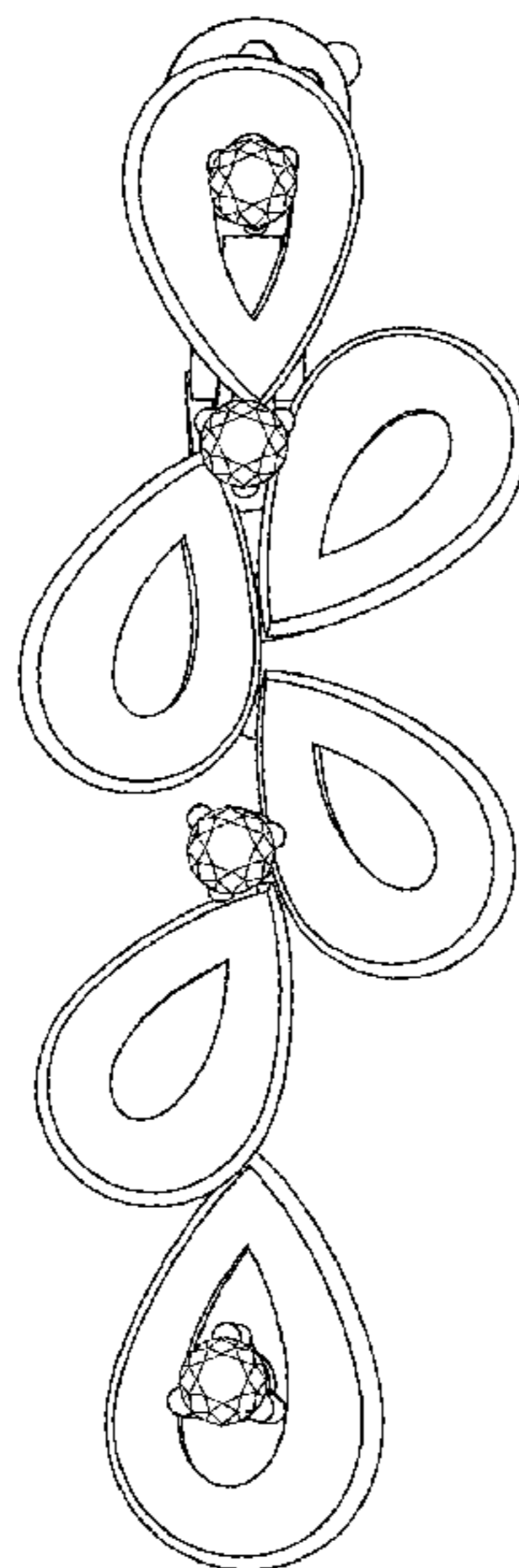
(57) **CLAIM**

The ornamental design for an earring, as shown and described.

DESCRIPTION

FIG. 1 is a top view of the earring of the present invention. FIG. 2 is a bottom view of the earring of FIG. 1. FIG. 3 is a right side view of the earring of FIG. 1. FIG. 4 is a left side view of the earring of FIG. 1. FIG. 5 is a front view of the earring of FIG. 1. FIG. 6 is a rear view of the earring of FIG. 1; and, FIG. 7 is a top, right-side perspective view of the earring of FIG. 1.

1 Claim, 3 Drawing Sheets



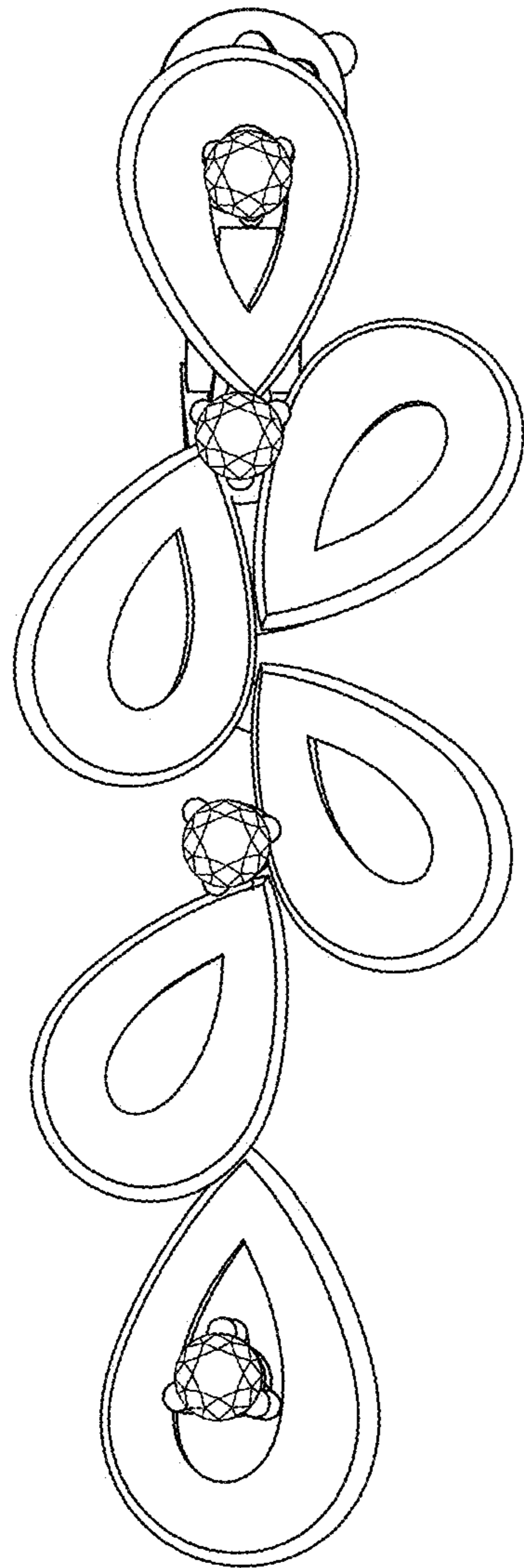


FIG.1

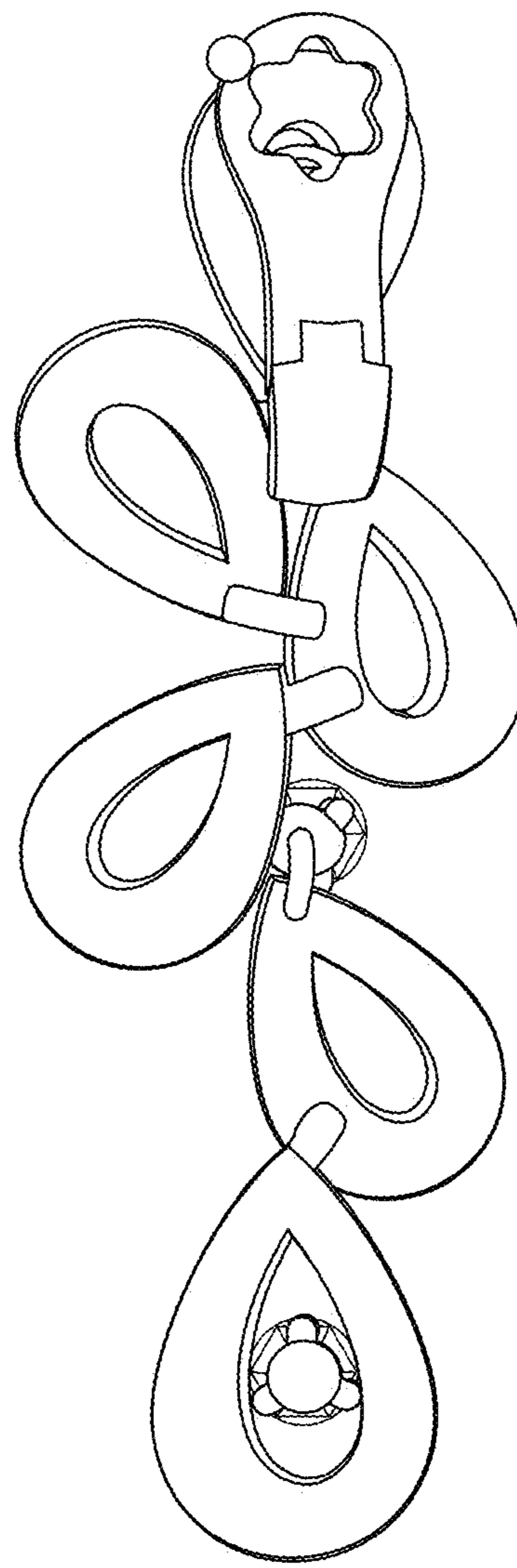


FIG.2

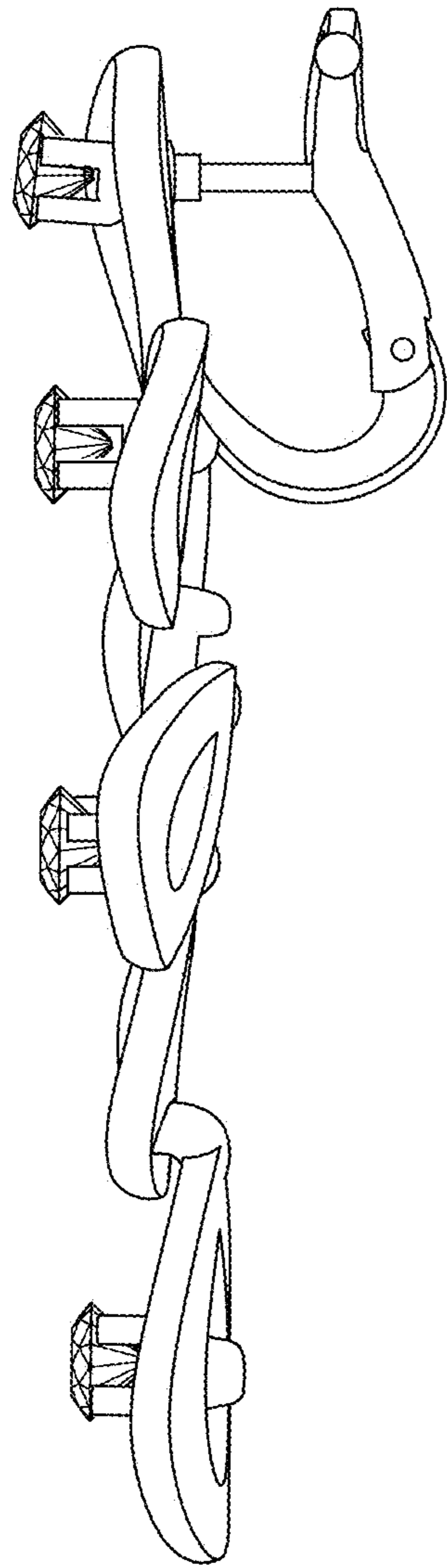


FIG.3

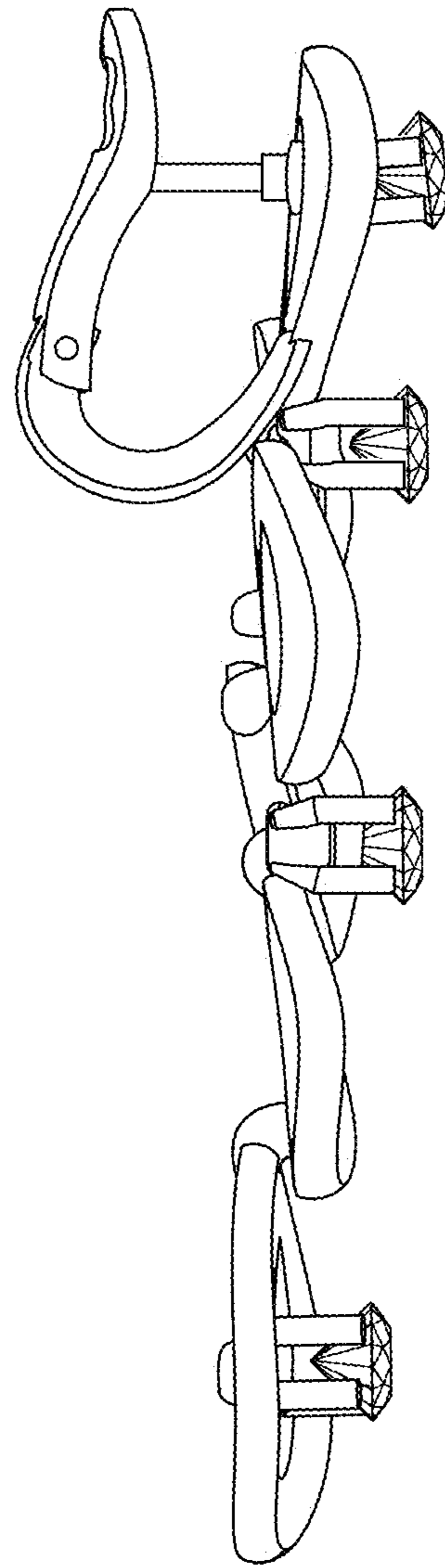


FIG.4

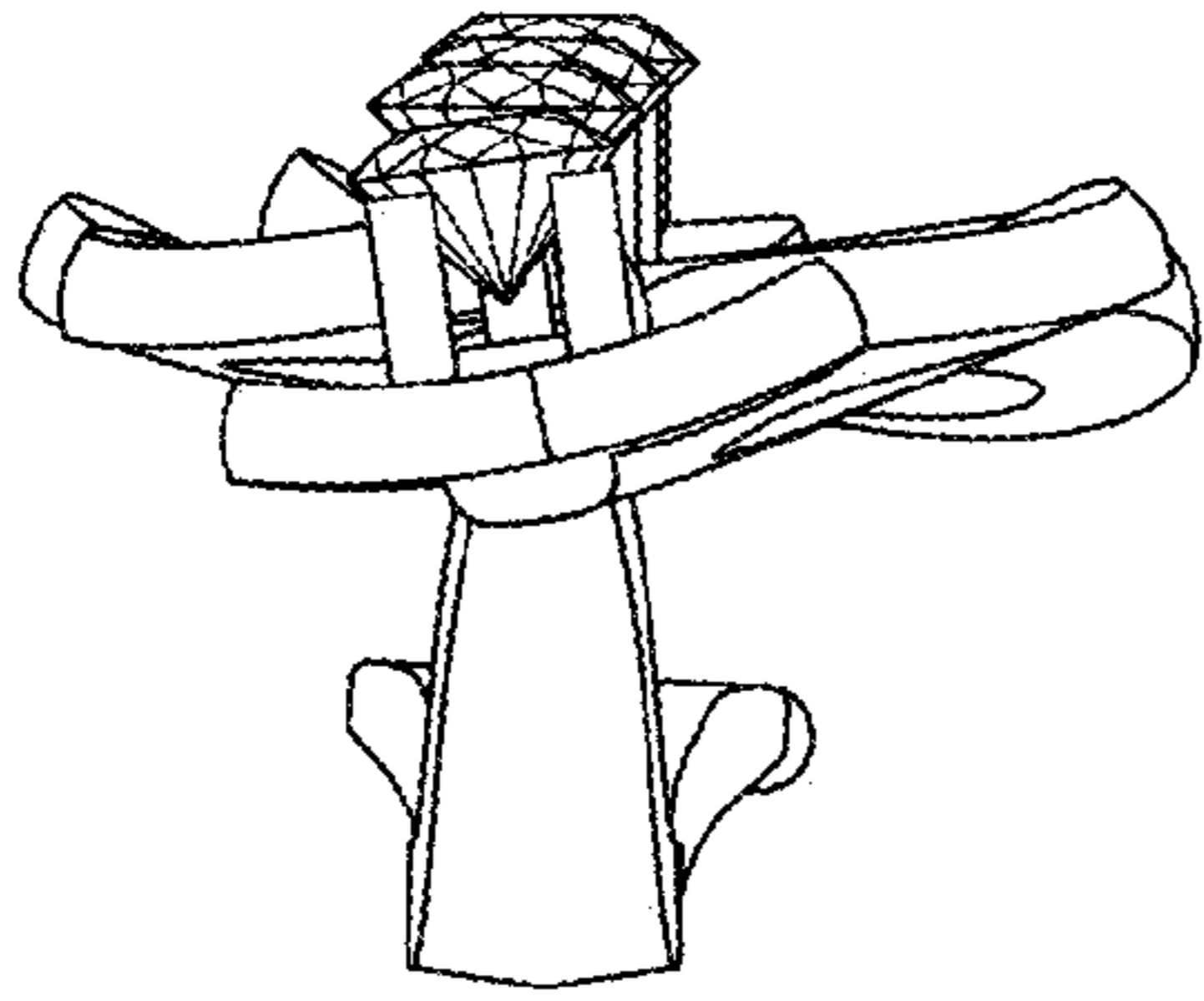


FIG. 5

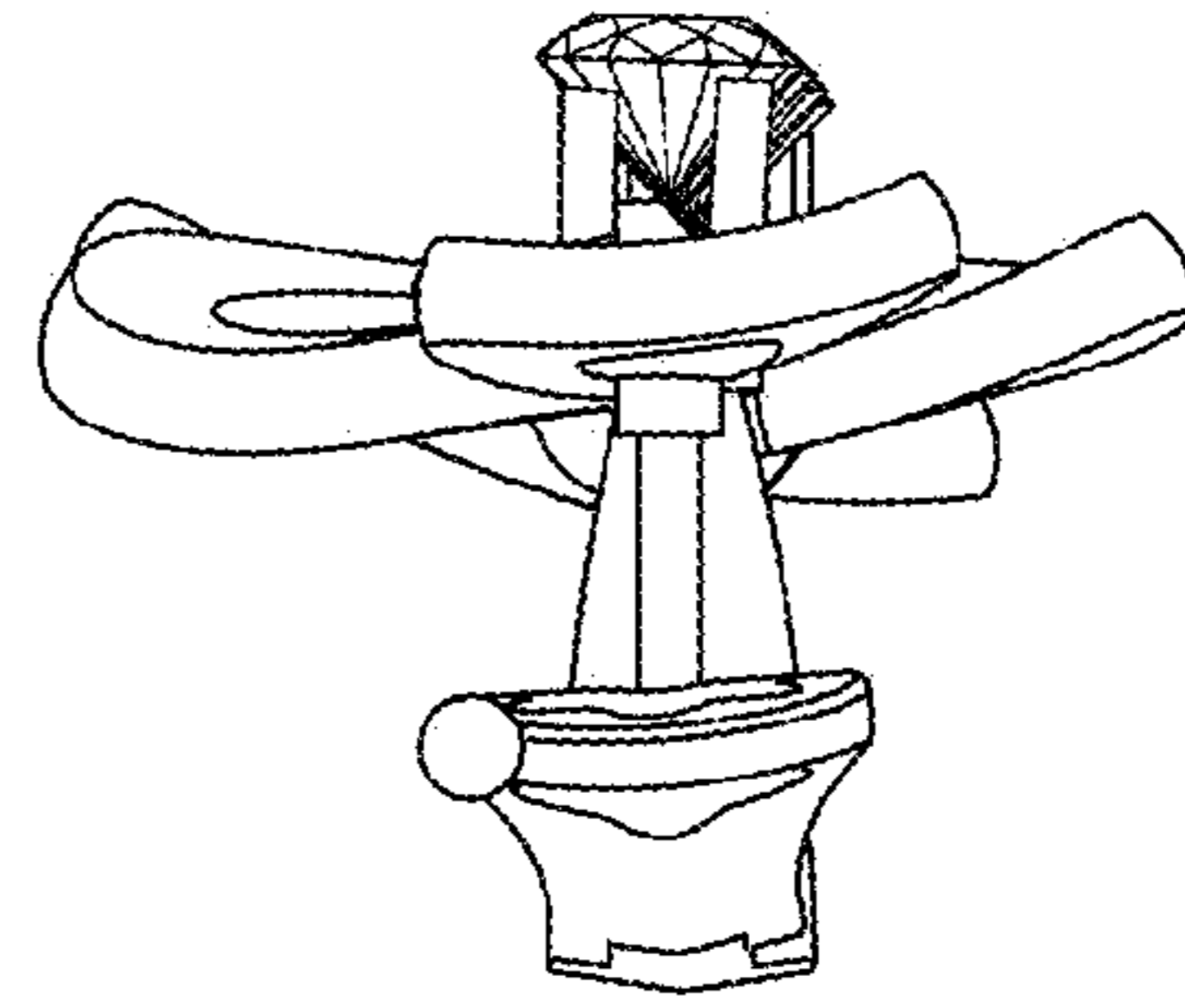


FIG. 6

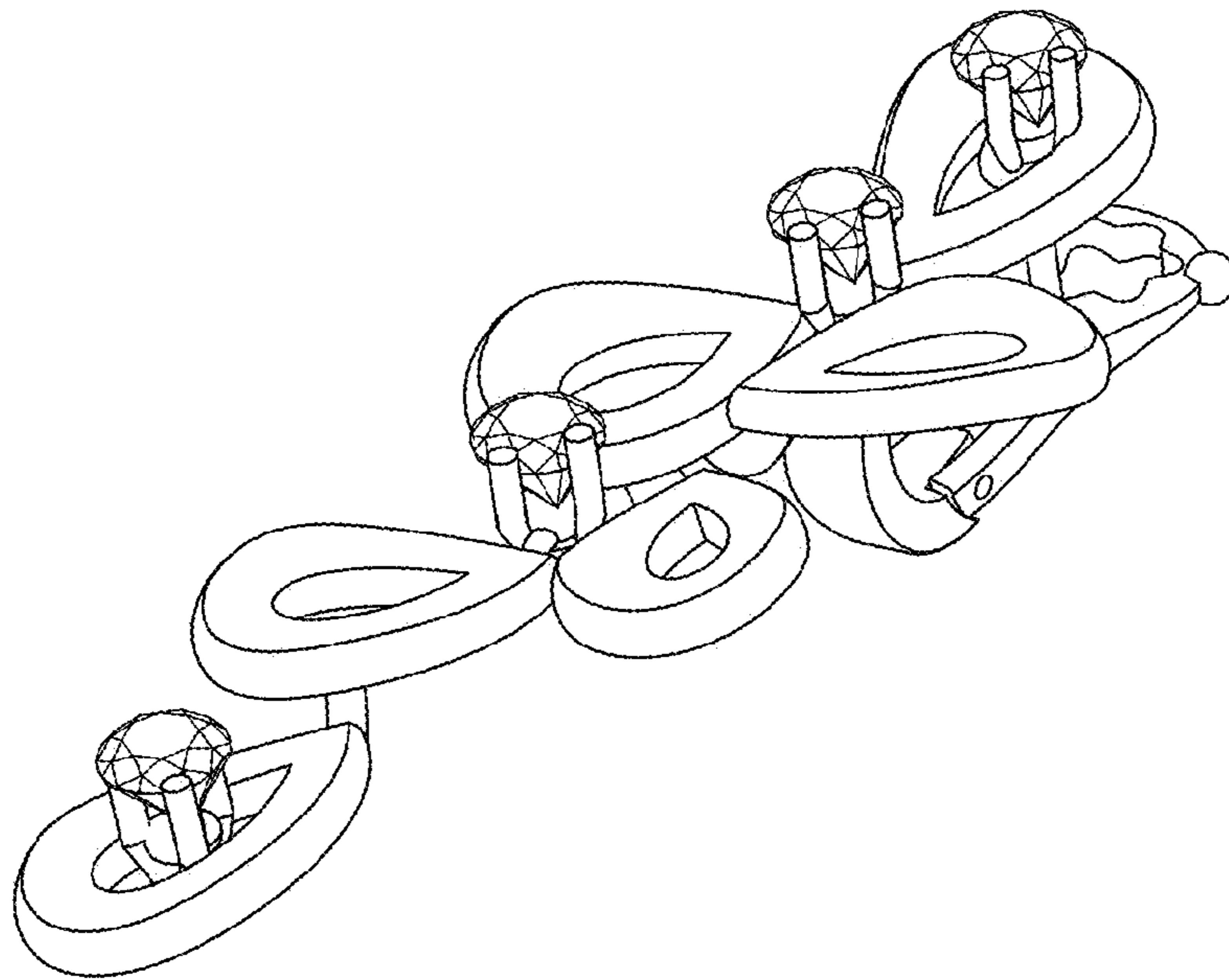


FIG. 7