



US00D689391S

(12) **United States Design Patent**  
**Okawa et al.**

(10) **Patent No.:** **US D689,391 S**

(45) **Date of Patent:** **\*\* Sep. 10, 2013**

(54) **PRESSURE SENSOR PACKAGE**

(56) **References Cited**

(71) Applicant: **Alps Electric Co., Ltd.**, Tokyo (JP)

U.S. PATENT DOCUMENTS

(72) Inventors: **Hisanobu Okawa**, Tokyo (JP); **Hiroshi Ishida**, Tokyo (JP); **Masaya Yamatani**, Tokyo (JP); **Hideki Kamimura**, Tokyo (JP); **Chiaki Kera**, Tokyo (JP); **Hiroyuki Morioka**, Tokyo (JP); **Kazuhide Nakayama**, Tokyo (JP)

5,465,626	A *	11/1995	Brown et al.	73/715
7,659,551	B2 *	2/2010	Loh	257/98
8,196,476	B2 *	6/2012	Kurtz et al.	73/727
D669,804	S *	10/2012	Ashino	D10/85
8,304,847	B2 *	11/2012	Kaminaga et al.	257/417
8,368,112	B2 *	2/2013	Chan et al.	257/99
8,405,200	B2 *	3/2013	Ueda	257/693
2003/0214026	A1 *	11/2003	Tokuhara	257/692
2004/0118214	A1 *	6/2004	McDonald et al.	73/756
2010/0199777	A1 *	8/2010	Hooper et al.	73/721
2012/0168884	A1 *	7/2012	Yao et al.	257/415
2013/0127879	A1 *	5/2013	Burns et al.	345/501

(73) Assignee: **Alps Electric Co., Ltd.**, Tokyo (JP)

\* cited by examiner

(\*\*) Term: **14 Years**

*Primary Examiner* — Antoine D Davis

(21) Appl. No.: **29/434,450**

(74) *Attorney, Agent, or Firm* — Brinks Hofer Gilson & Lione

(22) Filed: **Oct. 12, 2012**

(30) **Foreign Application Priority Data**

(57) **CLAIM**

The ornamental design for a pressure sensor package, as shown and described.

Apr. 12, 2012 (JP) ..... 2012-008610

**DESCRIPTION**

(51) **LOC (9) Cl.** ..... **10-04**

FIG. 1 is a perspective view of a pressure sensor package showing our new design;  
FIG. 2 is a front view thereof;  
FIG. 3 is a rear view thereof;  
FIG. 4 is a right side view thereof;  
FIG. 5 is a left side view thereof  
FIG. 6 is a top view thereof;  
FIG. 7 is a bottom view thereof; and,  
FIG. 8 is a front view thereof showing a transparent portion thereof.

(52) **U.S. Cl.**

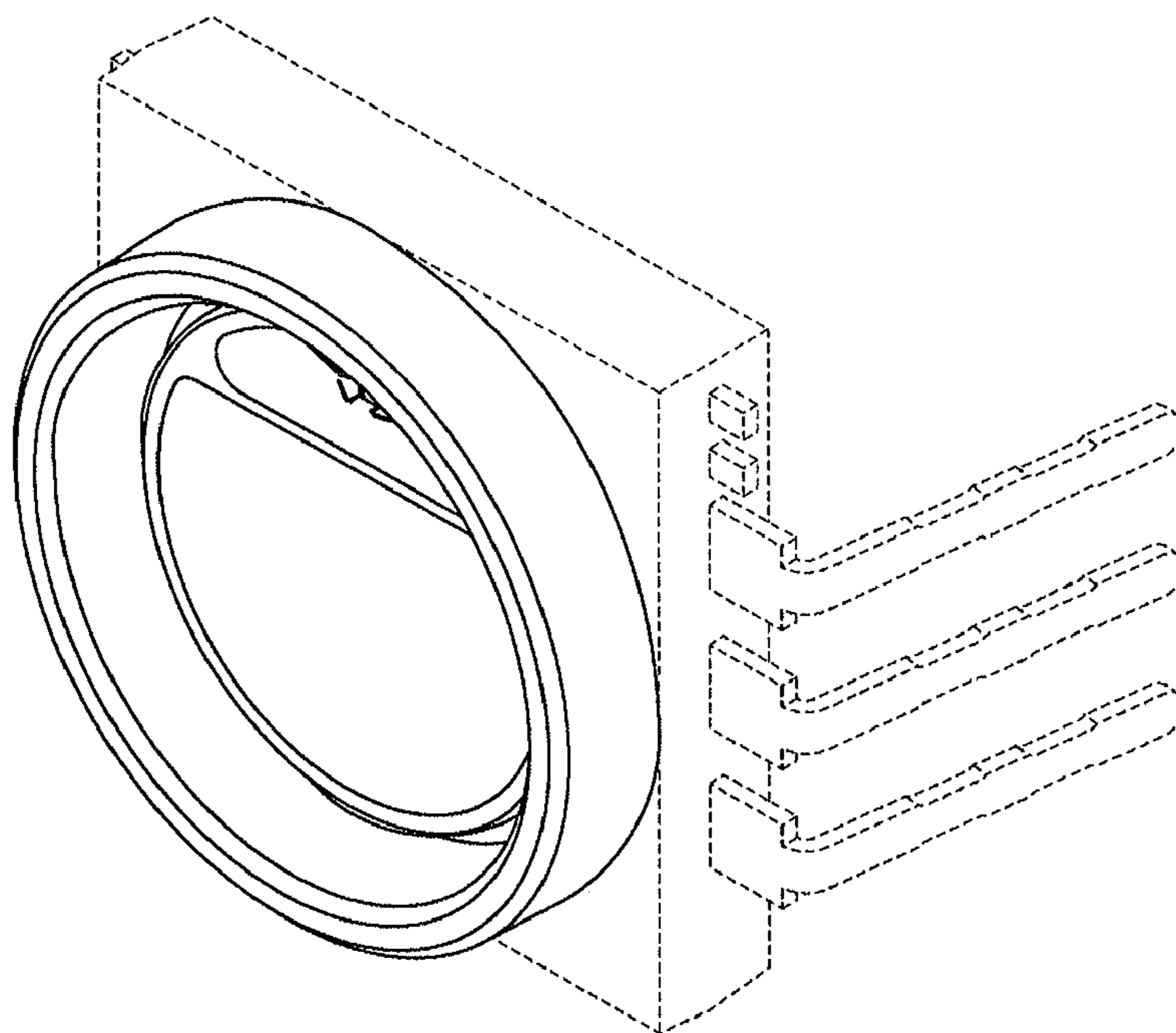
USPC ..... **D10/85**

(58) **Field of Classification Search**

USPC ..... D10/83-85; 73/706, 715, 716, 717, 73/723, 725, 756, 721, 727, 754; 257/415, 257/417, 692, E21.506, E29.324, E21.002, 257/E21.499, E23.004, E23.066, E29.141; 439/51, 617

See application file for complete search history.

**1 Claim, 4 Drawing Sheets**



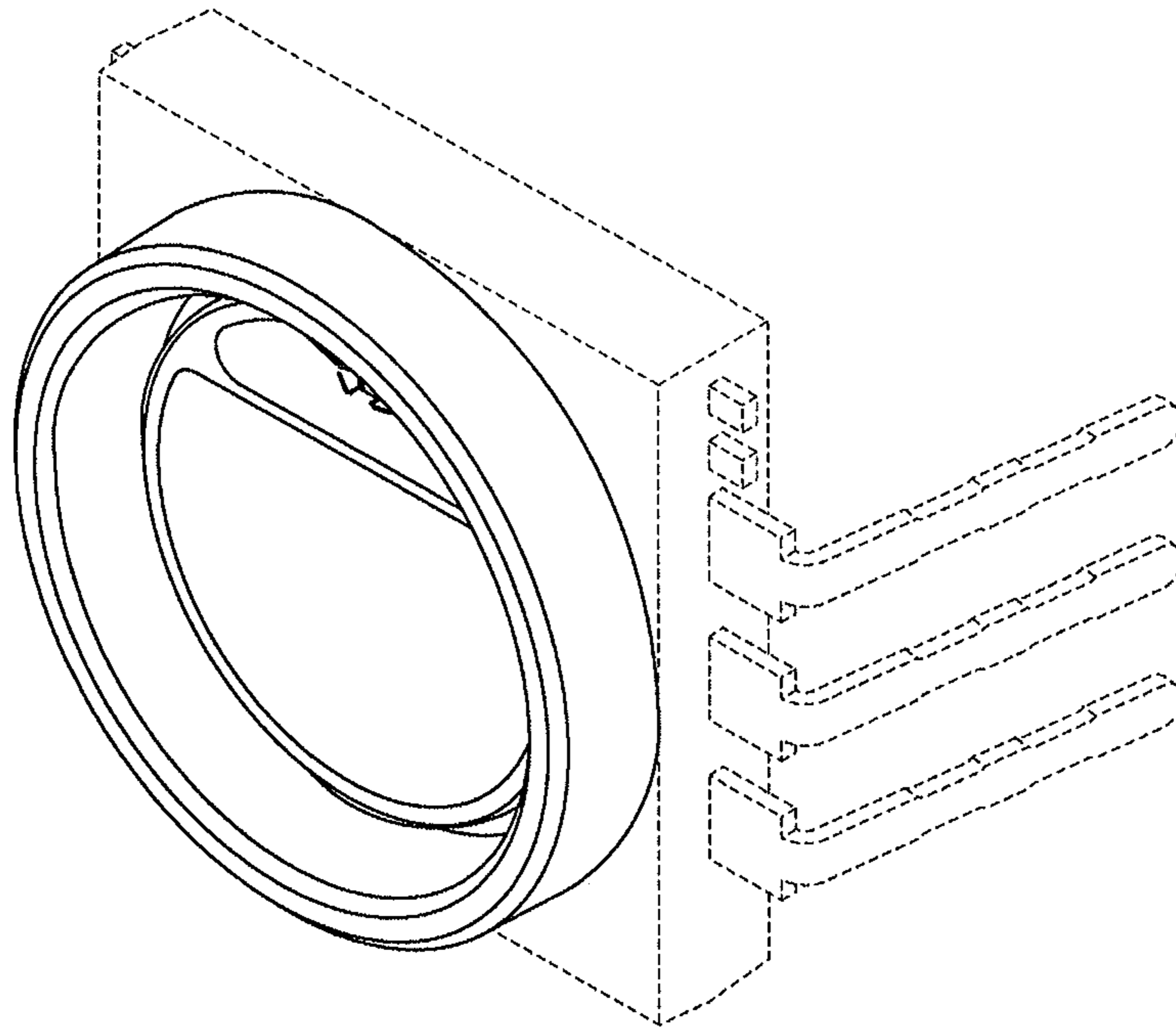


FIG. 1

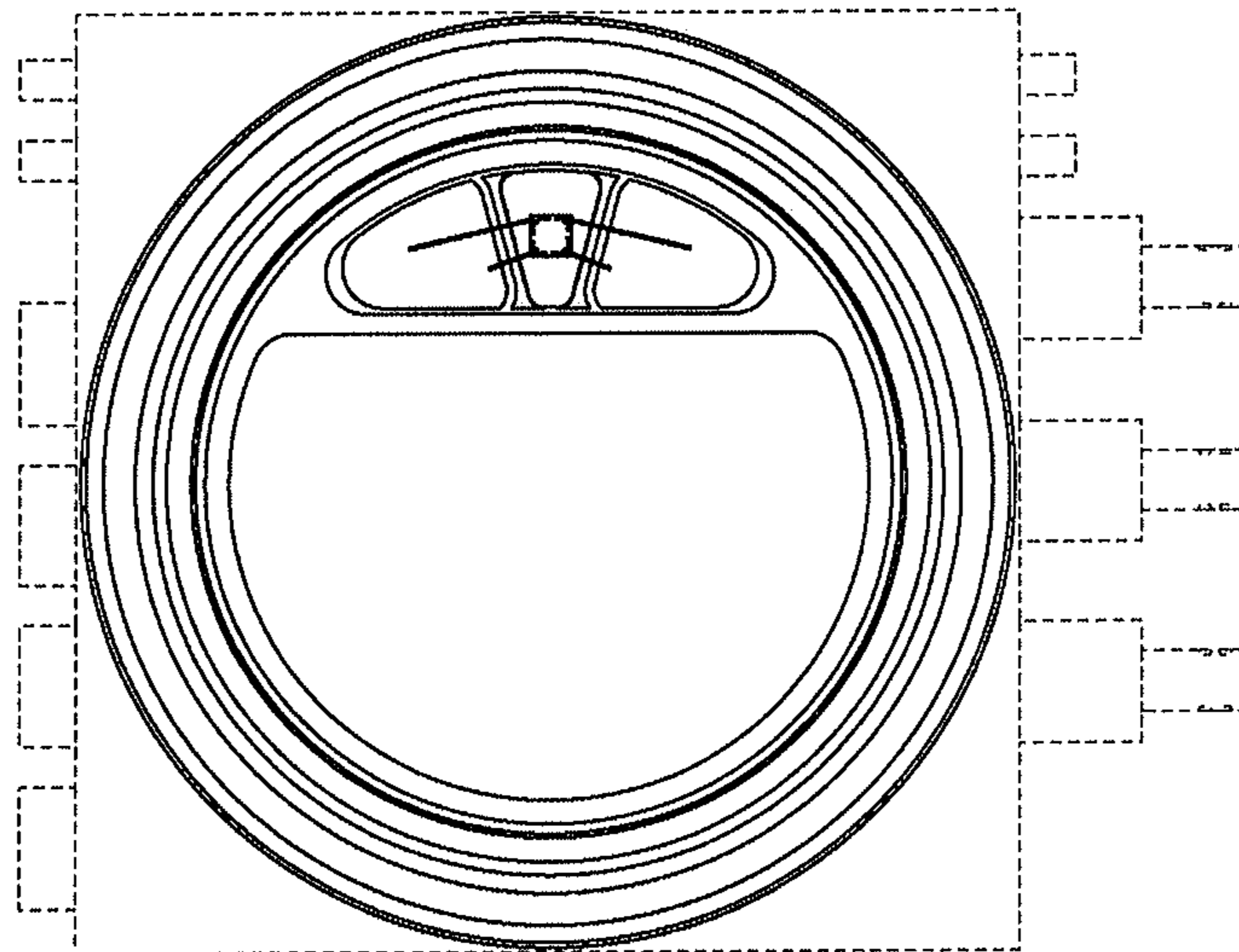


FIG. 2

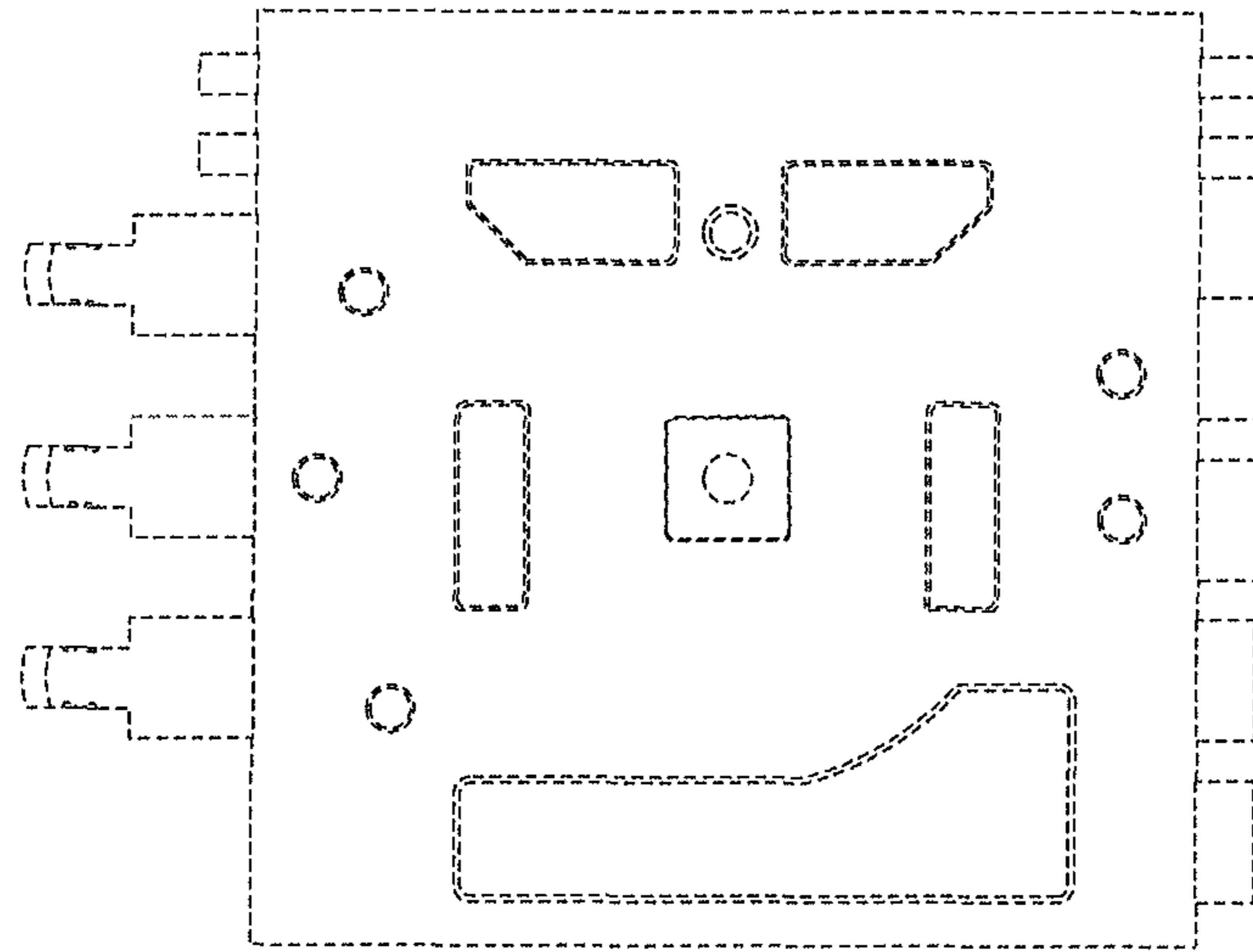


FIG. 3

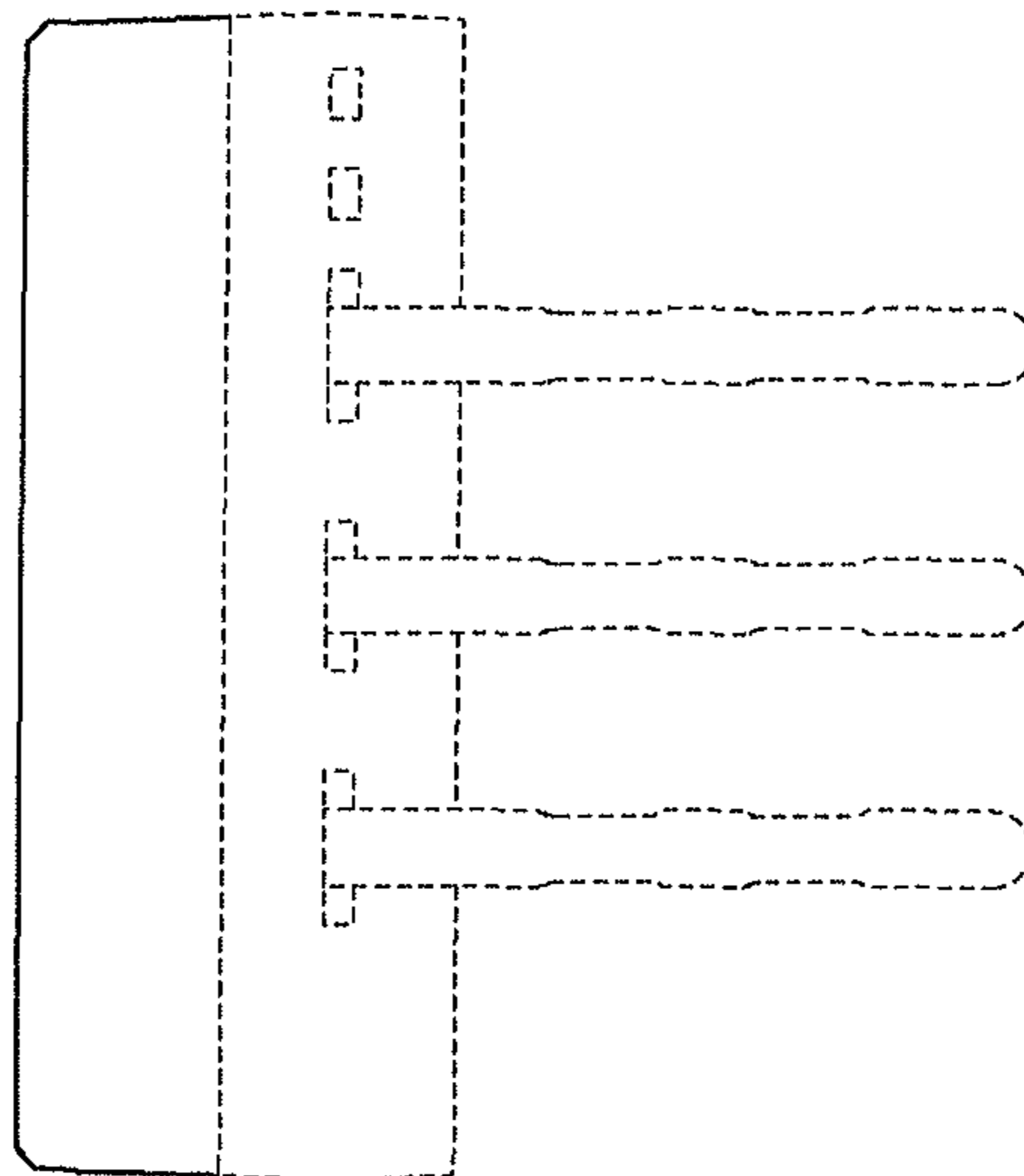


FIG. 4

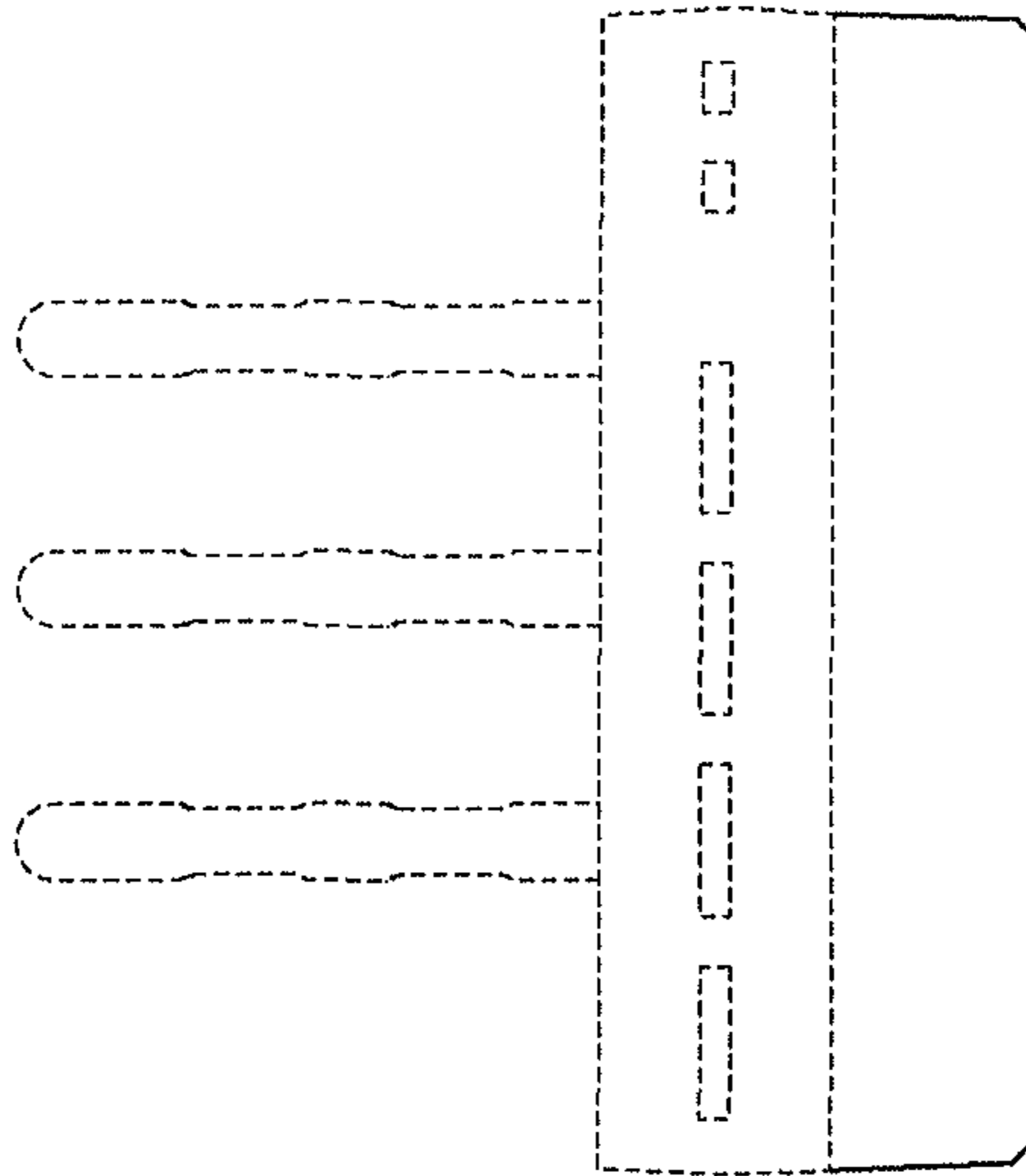


FIG. 5

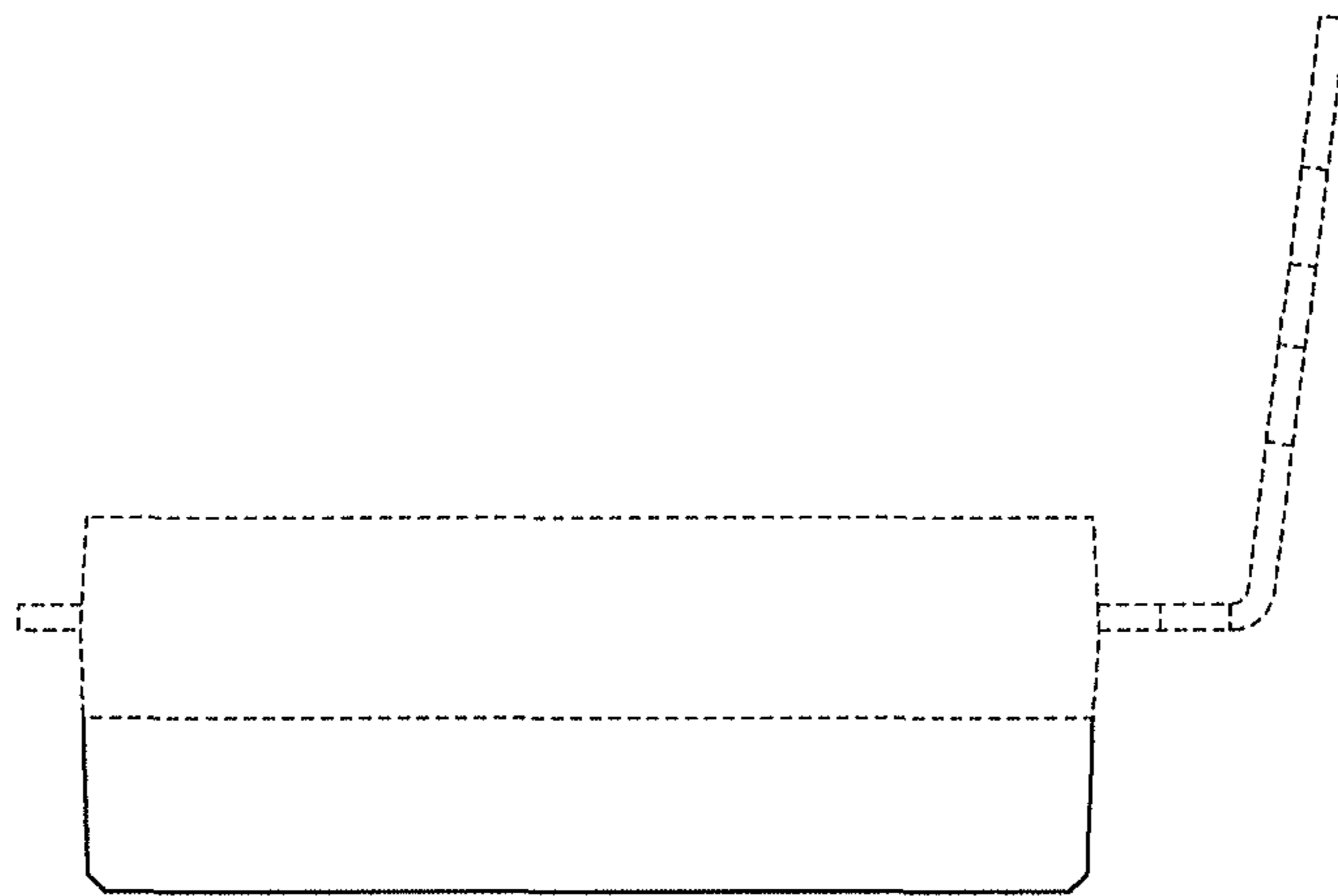


FIG. 6

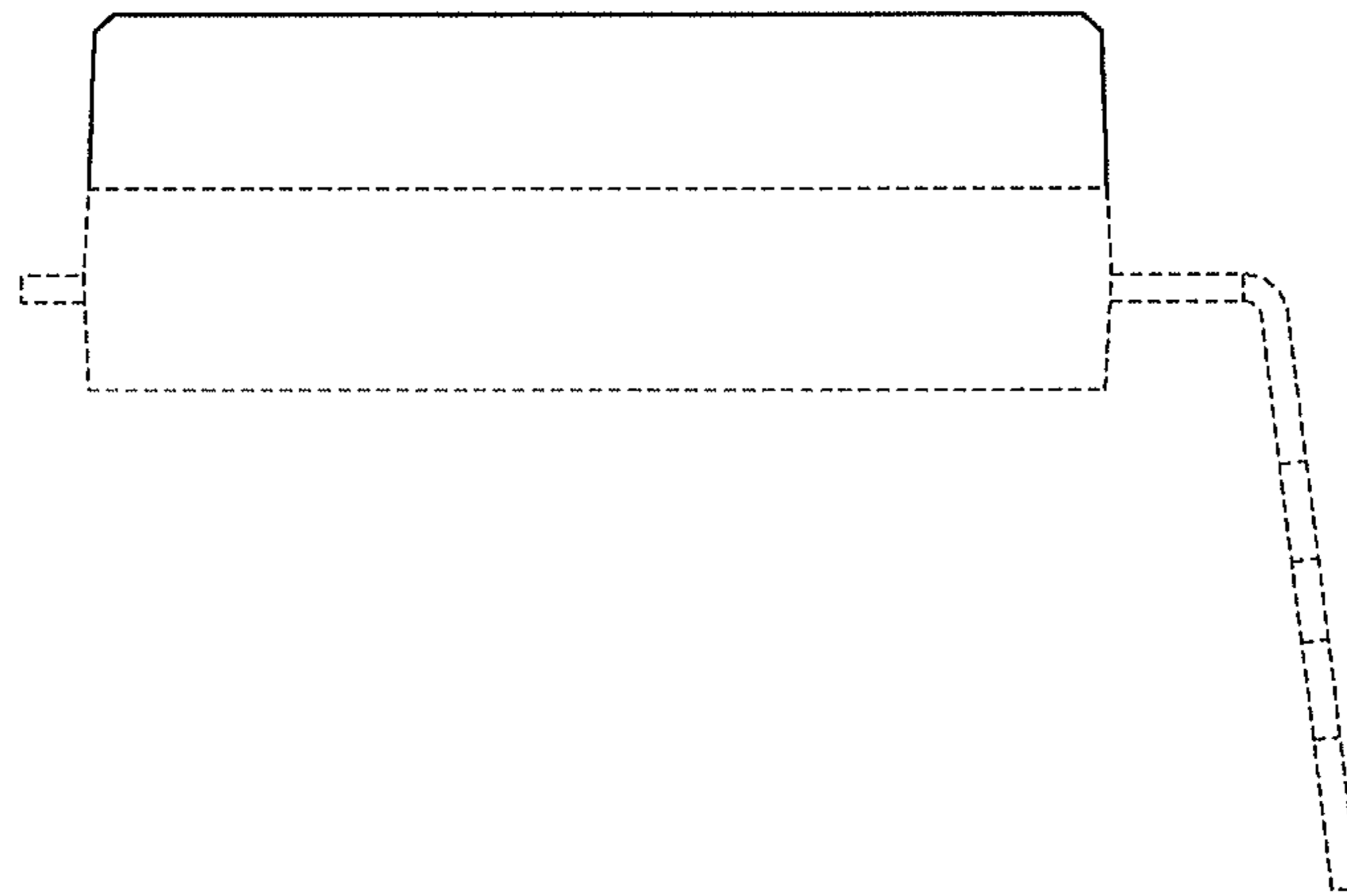


FIG. 7

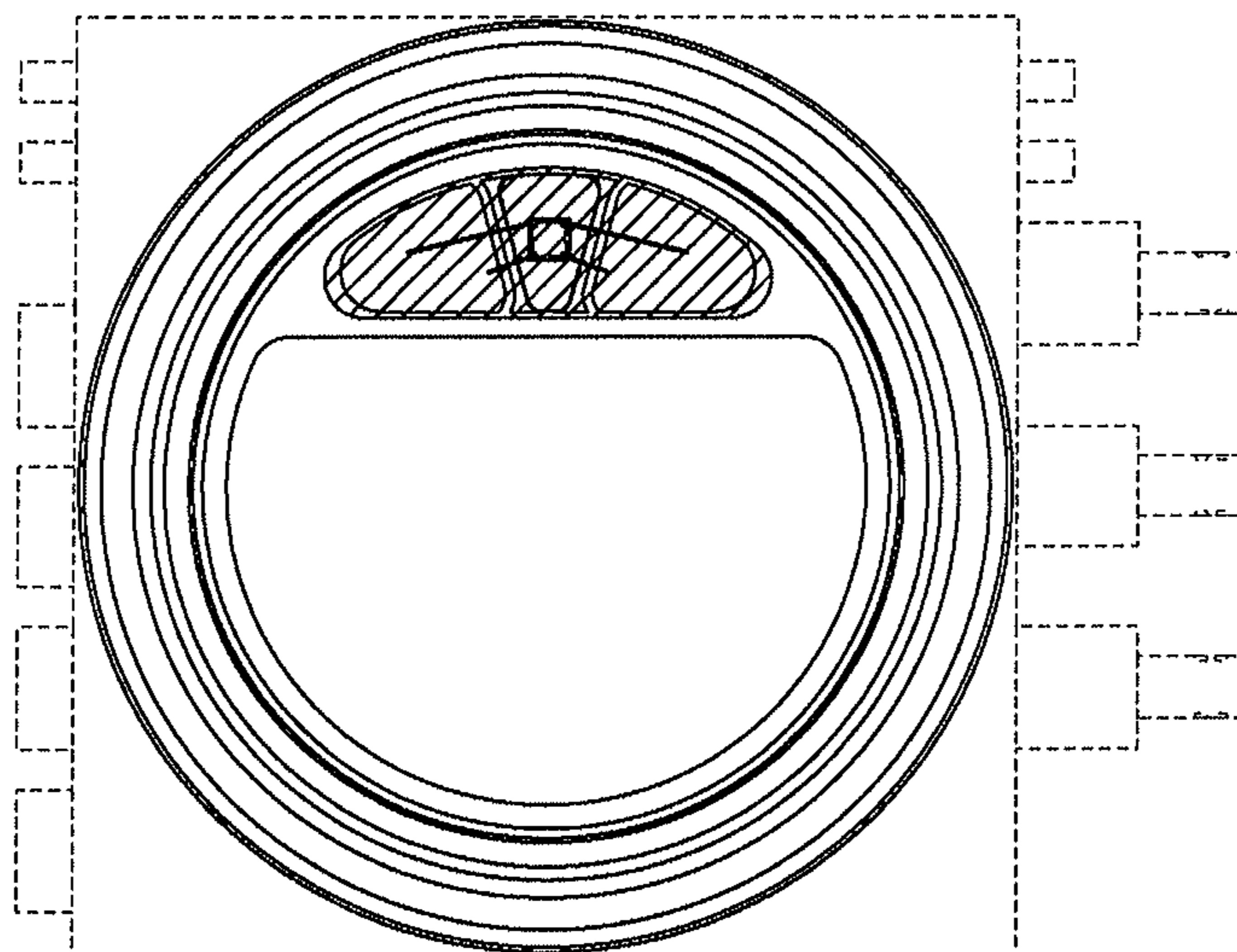


FIG. 8