



US00D689383S

(12) **United States Design Patent**
Nesheiwat et al.

(10) **Patent No.:** **US D689,383 S**

(45) **Date of Patent:** **** Sep. 10, 2013**

(54) **DIGITAL GONIOMETER**

(75) Inventors: **Moseur Nesheiwat**, Colonia, NJ (US);
Frank Scerbo, Nutley, NJ (US)

(73) Assignee: **Neshiwat Designs, LLC**, Jersey City, NJ (US)

(**) Term: **14 Years**

(21) Appl. No.: **29/426,196**

(22) Filed: **Jul. 2, 2012**

(51) **LOC (9) Cl.** **10-04**

(52) **U.S. Cl.**
USPC **D10/65**

(58) **Field of Classification Search**
USPC D10/65; 33/415, 452-473, 495-500,
33/534

See application file for complete search history.

(56) **References Cited**

U.S. PATENT DOCUMENTS

4,442,606	A *	4/1984	Graham et al.	33/471
D335,634	S *	5/1993	Yau	D10/65
5,887,351	A *	3/1999	Arms et al.	33/1 PT
D562,709	S *	2/2008	Sterpka et al.	D10/65
D568,772	S *	5/2008	Li et al.	D10/65

D610,477	S *	2/2010	Li et al.	D10/65
D678,086	S *	3/2013	Zhang et al.	D10/65
2009/0064516	A1 *	3/2009	Diaz et al.	33/471

* cited by examiner

Primary Examiner — Antoine D Davis

(74) *Attorney, Agent, or Firm* — Adam K. Sacharoff

(57) **CLAIM**

The ornamental design for a digital goniometer, as shown and described.

DESCRIPTION

FIG. 1 is a top front perspective view showing the digital goniometer;

FIG. 2 is a top back perspective view of FIG. 1;

FIG. 3 is a top side view of FIG. 1;

FIG. 4 is a bottom side view of FIG. 1;

FIG. 5 is a left side view of FIG. 1;

FIG. 6 is a right side view of FIG. 1;

FIG. 7 is a back side view of FIG. 1;

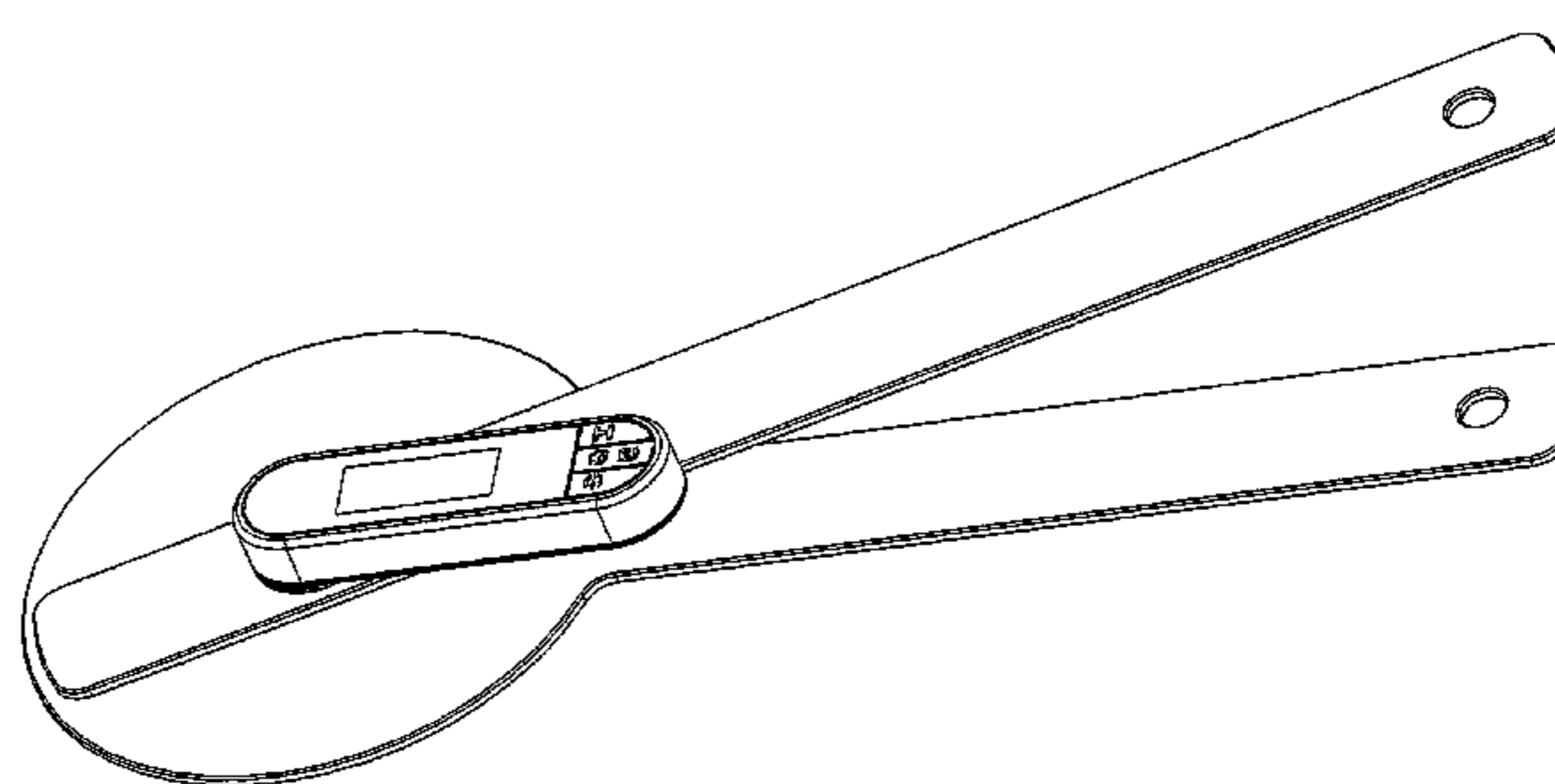
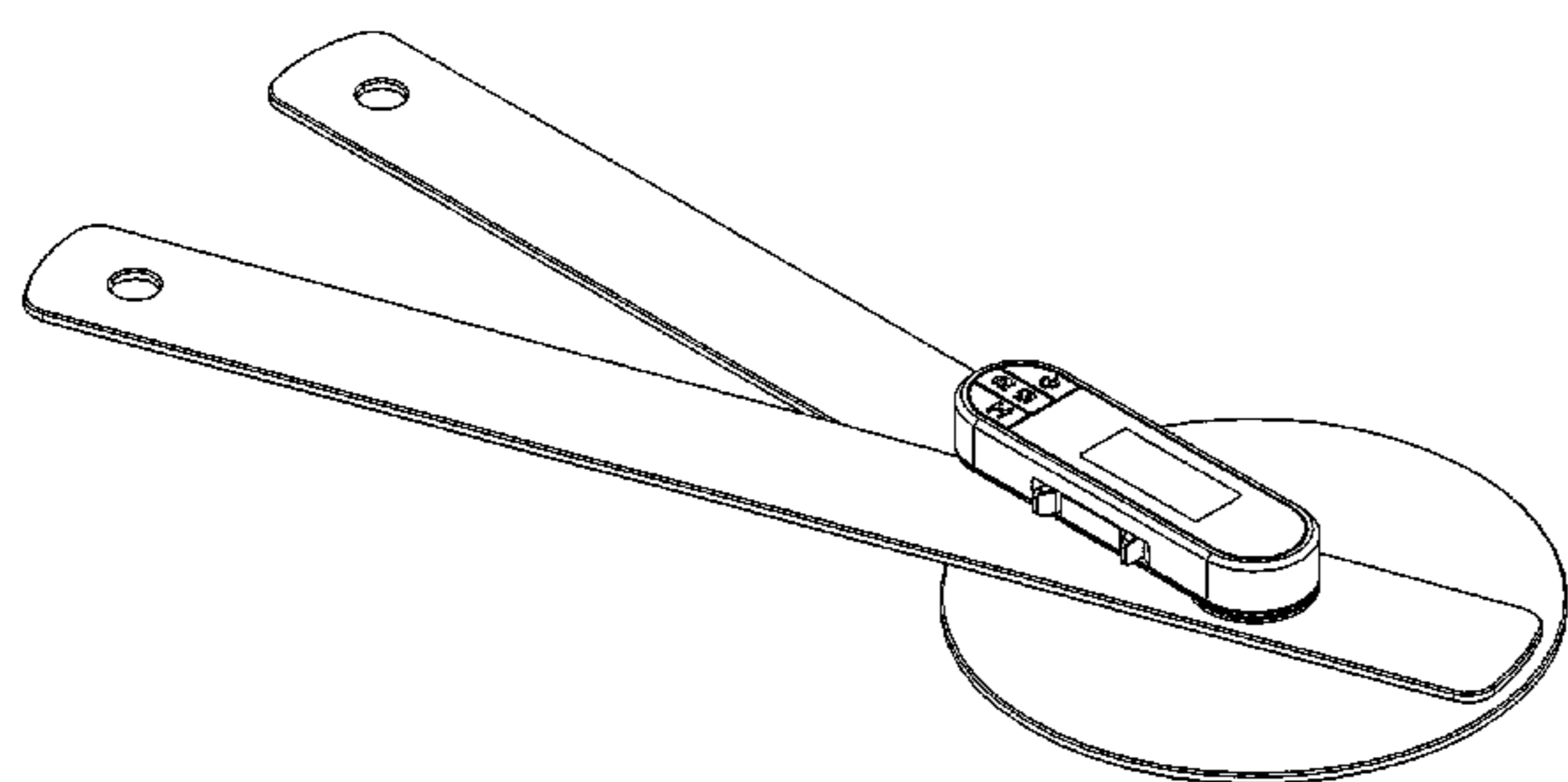
FIG. 8 is a front side view of FIG. 1;

FIG. 9 is another top front perspective view of FIG. 1 with a highlight to an enlargement section 10; and,

FIG. 10 is the enlargement section 10 from FIG. 9.

The surface lines are for the purpose of illustrating portions of the environmental structure and forms no part of the claimed embodiments and design. The broken lines represent are for environmental purposes only and form no part of the claimed embodiments and design.

1 Claim, 10 Drawing Sheets



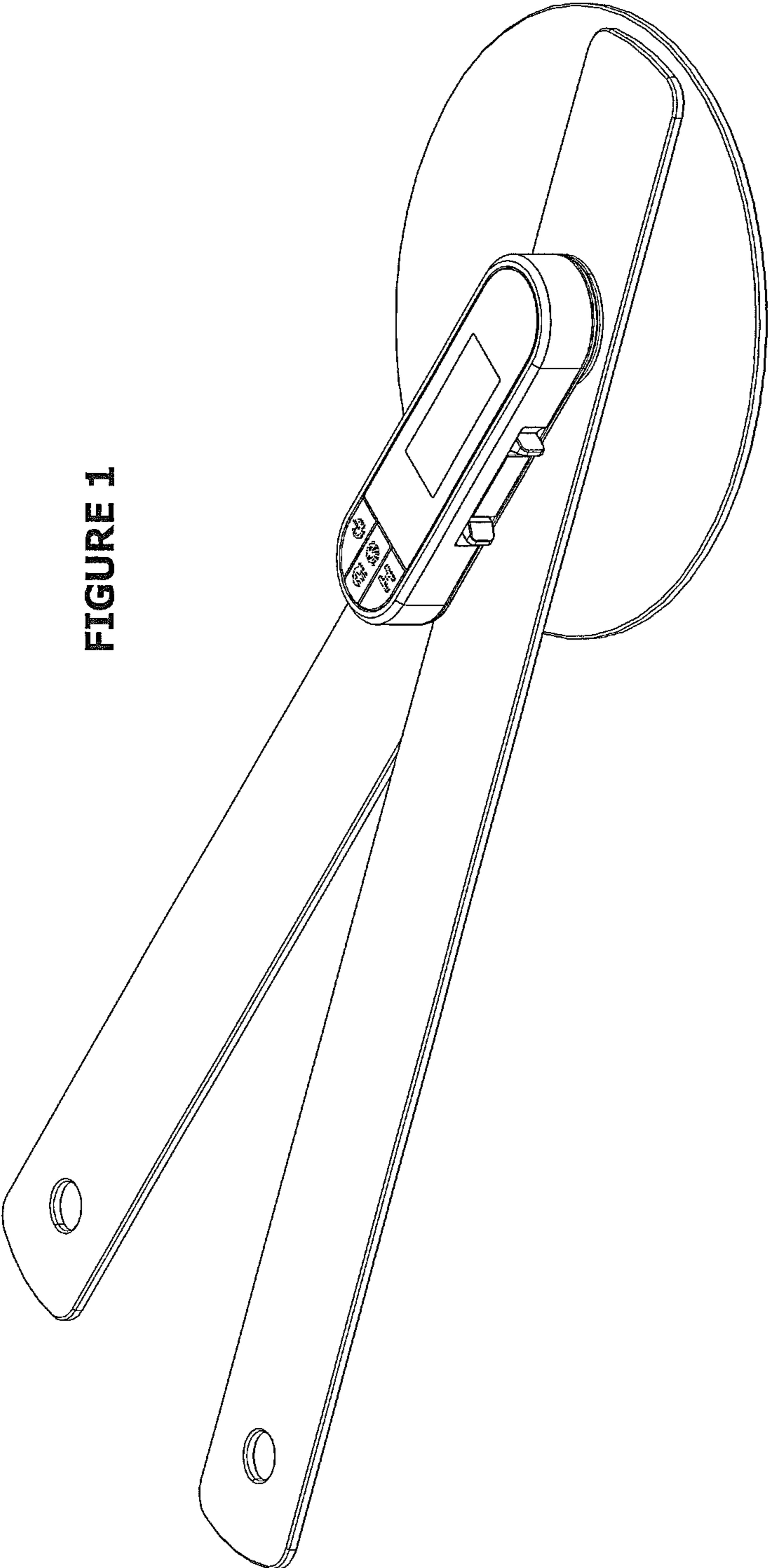


FIGURE 1

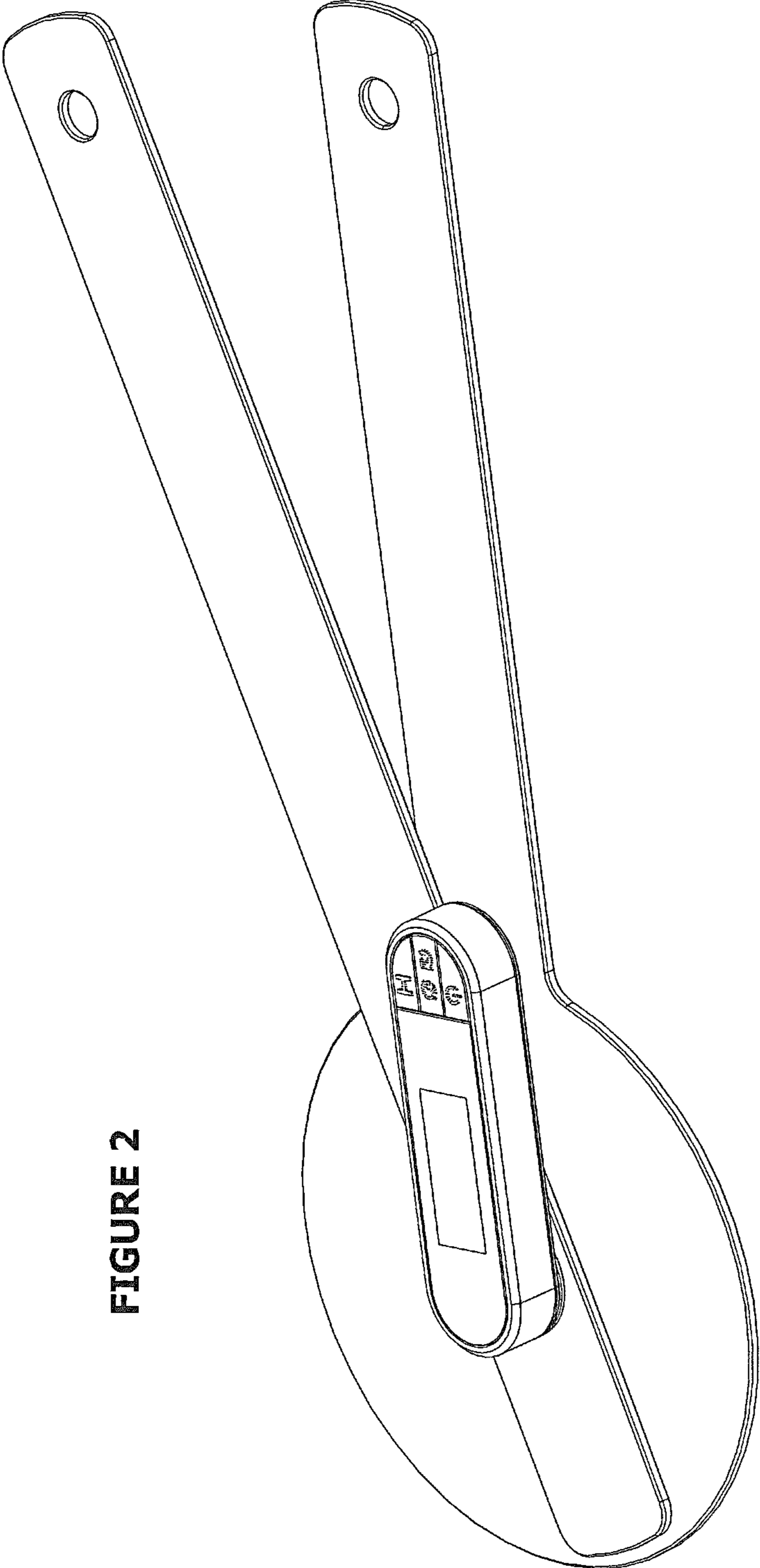


FIGURE 2

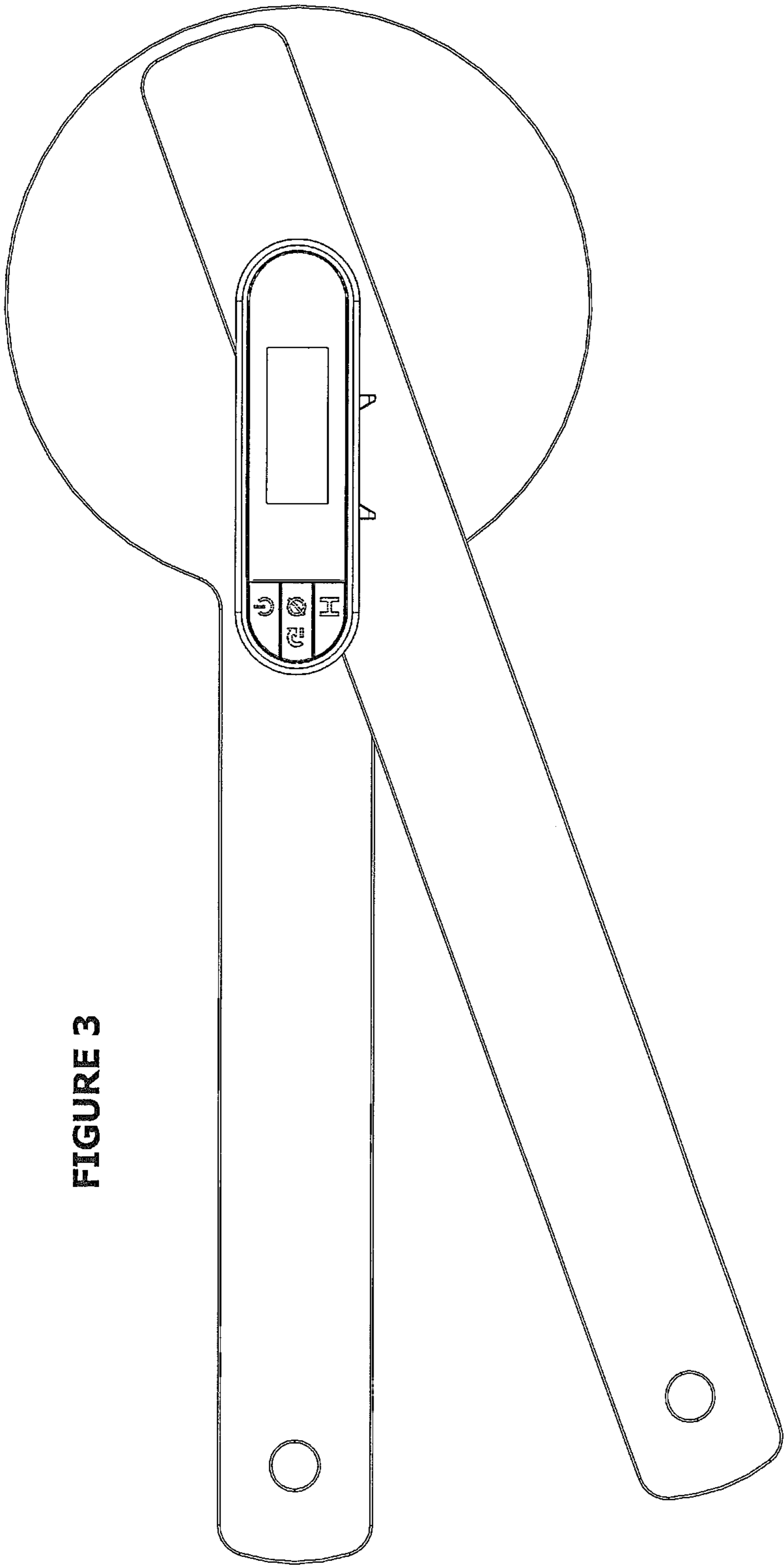


FIGURE 3

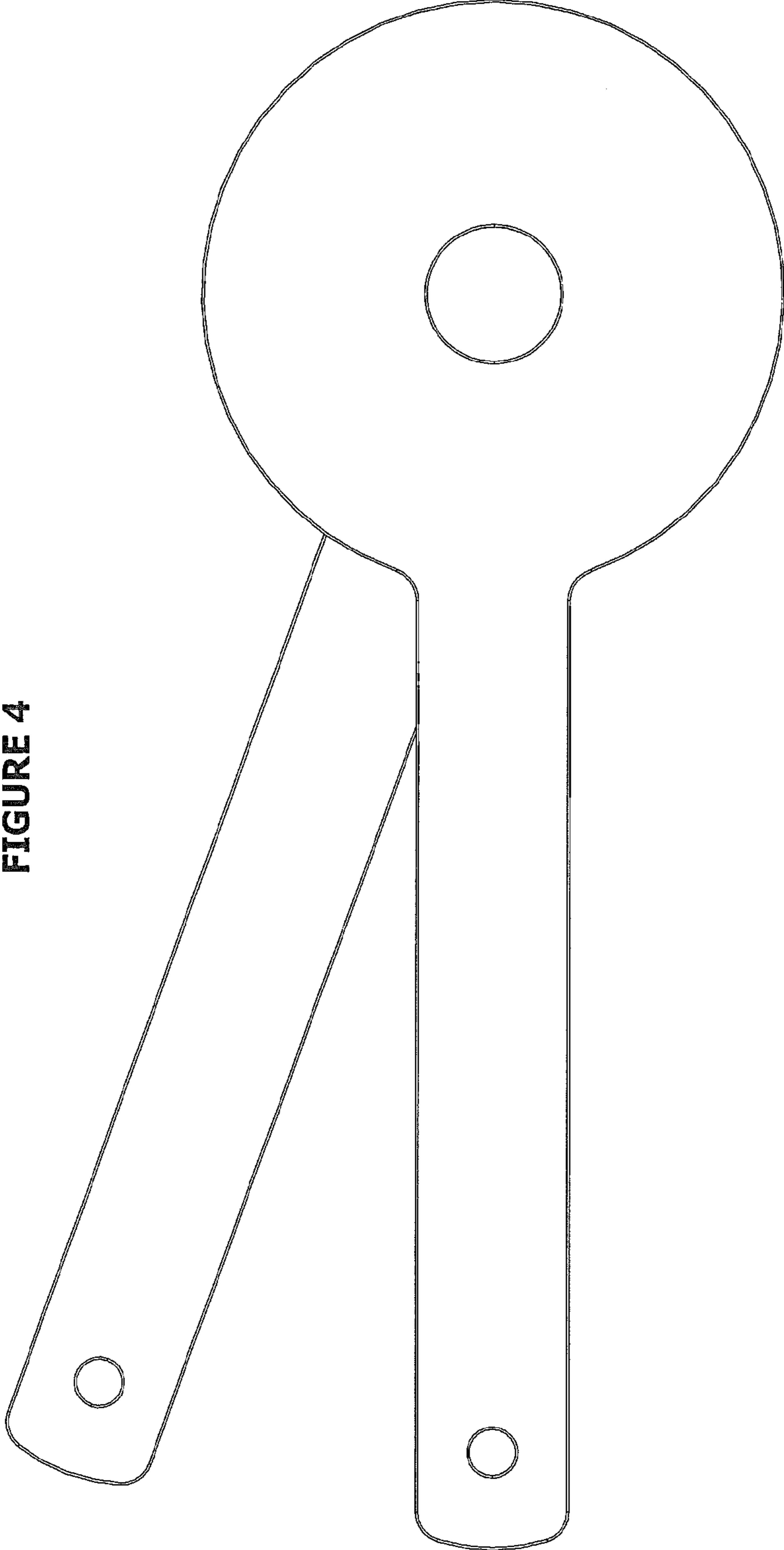


FIGURE 4

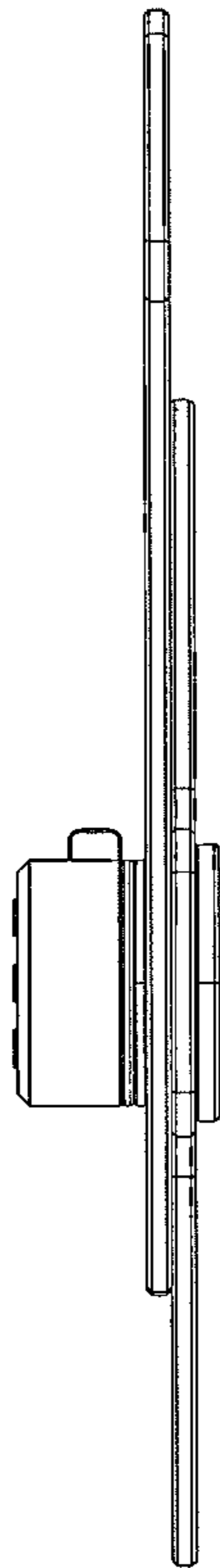


FIGURE 5

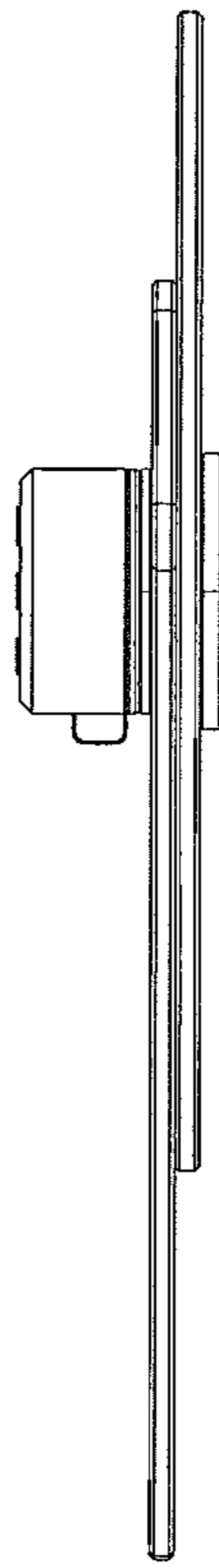
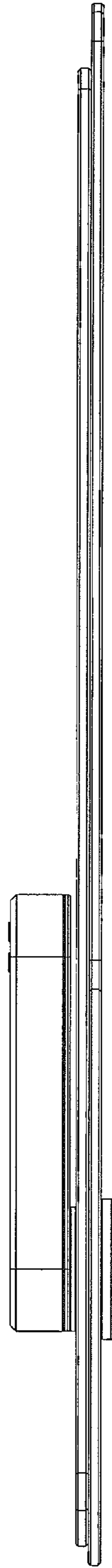


FIGURE 6

FIGURE 7



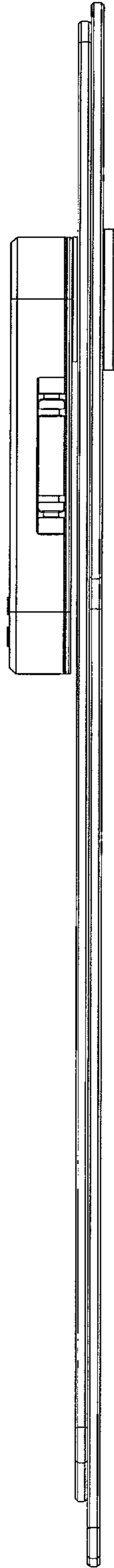


FIGURE 8

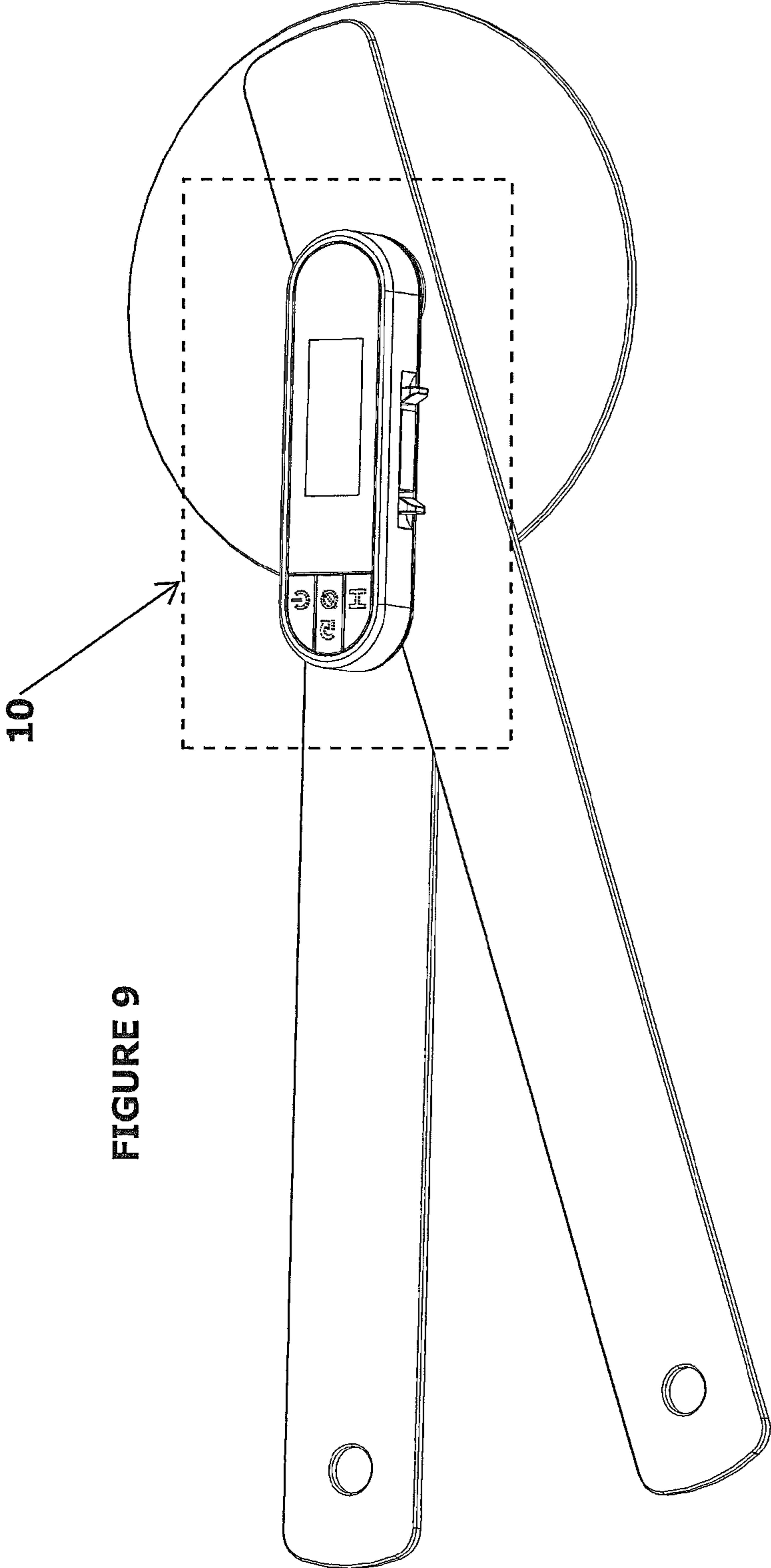


FIGURE 10

