



US00D689381S

(12) **United States Design Patent**
Branck et al.

(10) **Patent No.:** **US D689,381 S**

(45) **Date of Patent:** **** Sep. 10, 2013**

(54) **HANDHELD TEMPERATURE MONITORING
DEVICE**

(75) Inventors: **James David Branck**, Frankfort, NY
(US); **Bernard Wesley Baker, Jr.**,
Herkimer, NY (US); **Brian D. Johnson**,
Utica, NY (US); **William J. Williams**,
Hartford, NY (US); **Scott Langdoc**, San
Francisco, CA (US)

(73) Assignee: **PAR Technology Corporation**, New
Hartford, NY (US)

(**) Term: **14 Years**

(21) Appl. No.: **29/422,236**

(22) Filed: **May 17, 2012**

(51) **LOC (9) Cl.** **10-04**

(52) **U.S. Cl.**
USPC **D10/57**

(58) **Field of Classification Search**
USPC D10/57; 374/1-208; 600/474, 549
See application file for complete search history.

(56) **References Cited**

U.S. PATENT DOCUMENTS

D448,314 S *	9/2001	Chen	D10/57
D570,714 S *	6/2008	Aulwes et al.	D10/57
D614,978 S *	5/2010	Houlihan et al.	D10/57
D616,772 S *	6/2010	Guo	D10/57
D617,216 S *	6/2010	Guo	D10/57
D617,217 S *	6/2010	Houlihan et al.	D10/57
D620,819 S *	8/2010	Houlihan et al.	D10/57
D637,921 S *	5/2011	Houlihan et al.	D10/57

* cited by examiner

Primary Examiner — Antoine D Davis

(74) *Attorney, Agent, or Firm* — George R. McGuire; Bond
Schoeneck & King

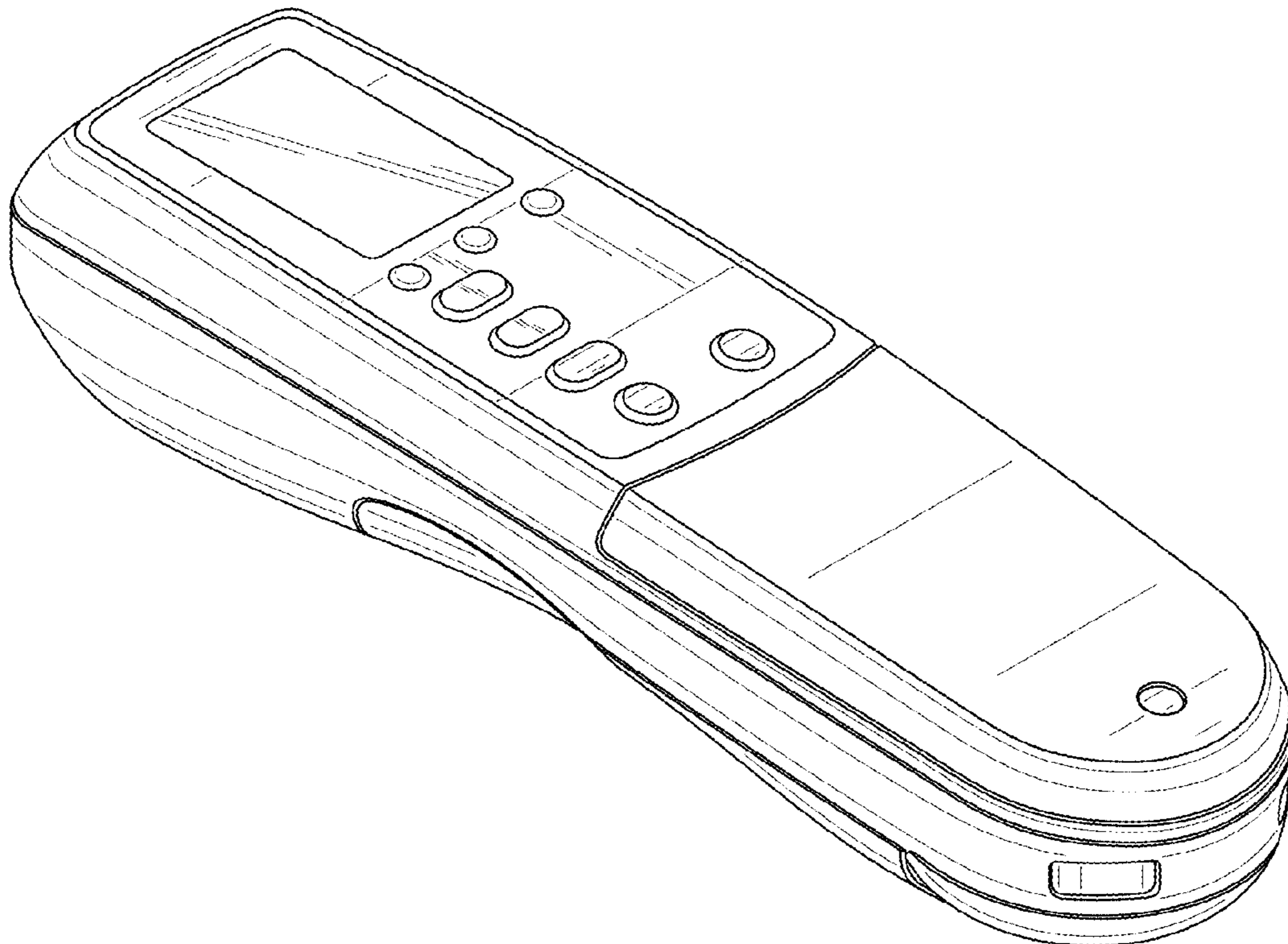
(57) **CLAIM**

The ornamental design for a handheld temperature monitor-
ing device, as shown and described.

DESCRIPTION

FIG. 1 is a perspective view of a handheld temperature monitor-
ing device;
FIG. 2 is a front elevation view thereof;
FIG. 3 is a rear elevation view thereof;
FIG. 4 is a first side elevation view thereof;
FIG. 5 is a second side elevation view thereof;
FIG. 6 is a top plan view thereof; and,
FIG. 7 is a bottom plan view thereof.

1 Claim, 6 Drawing Sheets



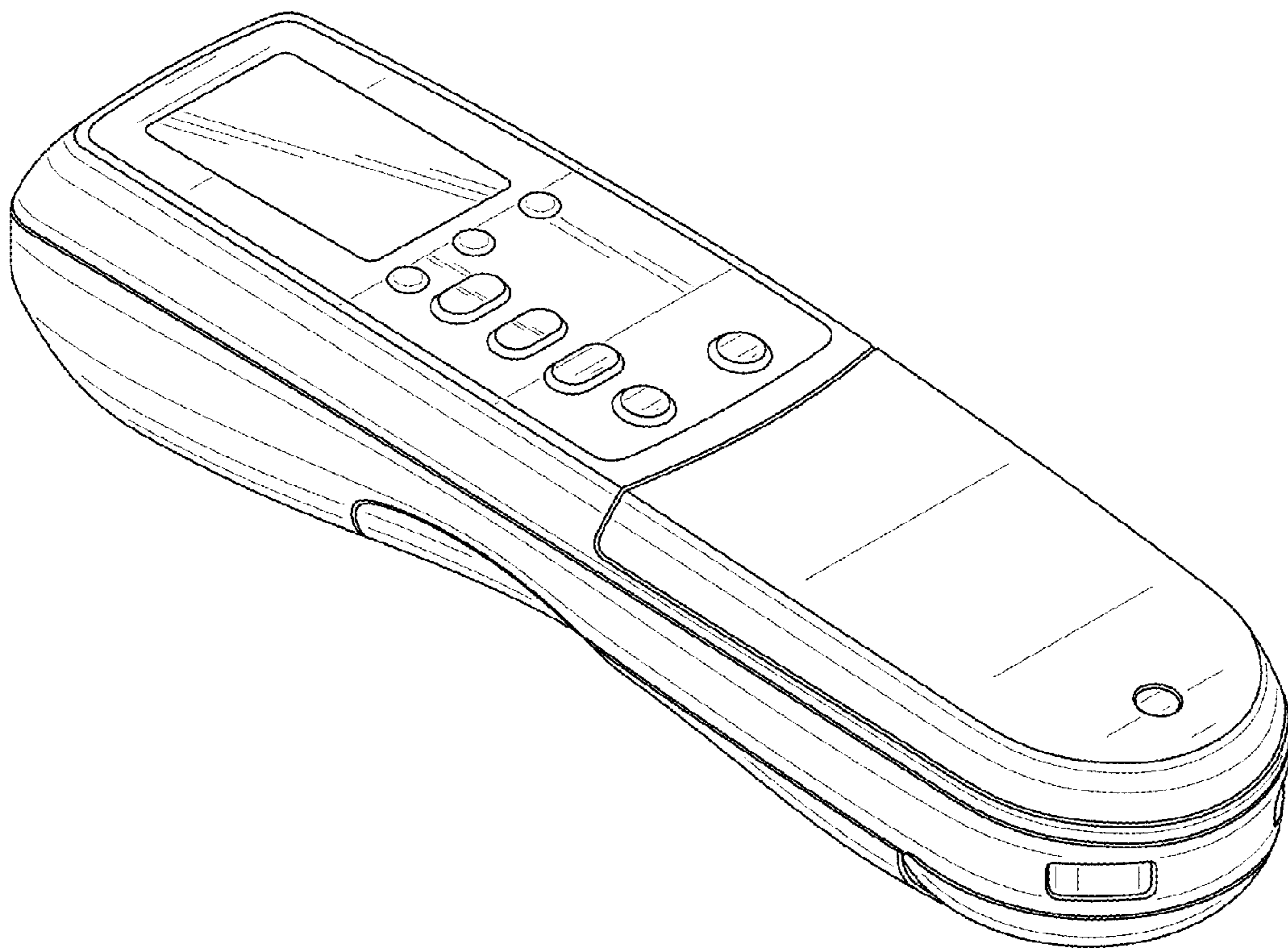


FIG. 1

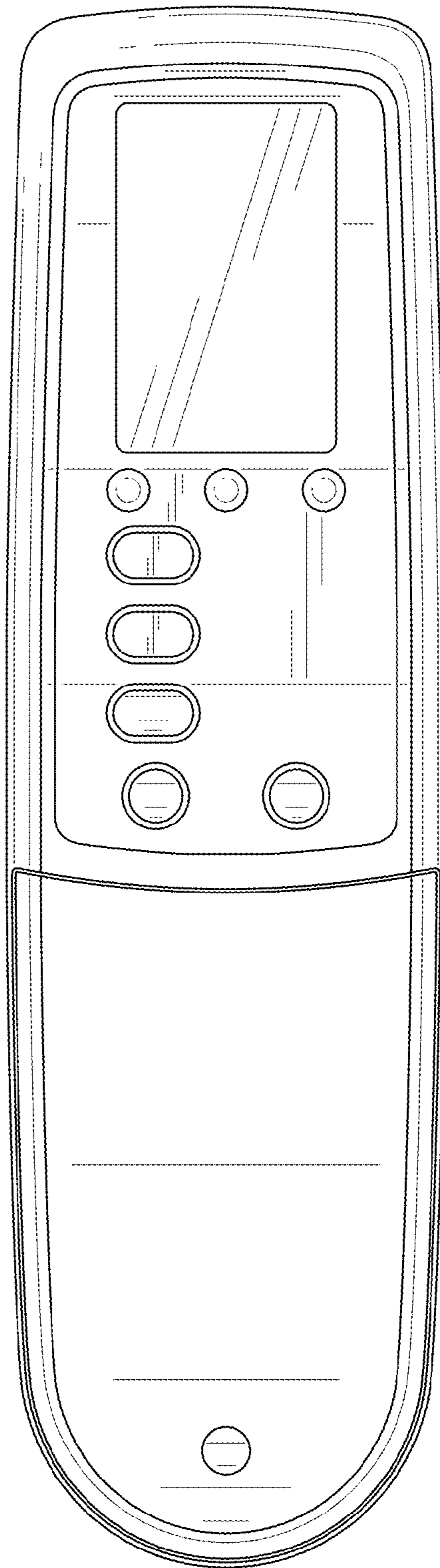


FIG. 2

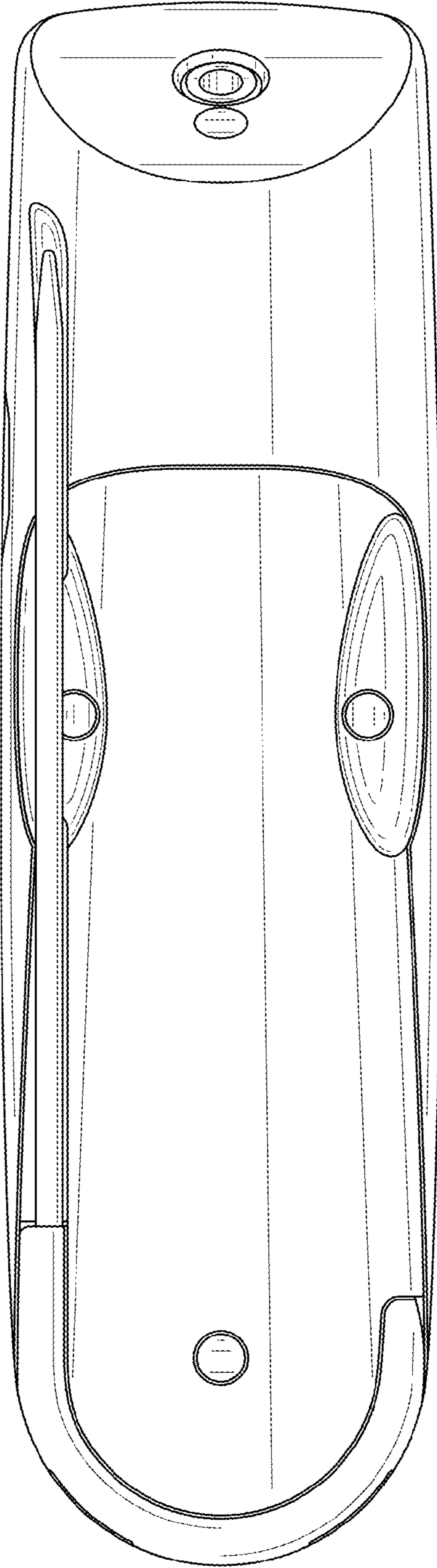


FIG. 3

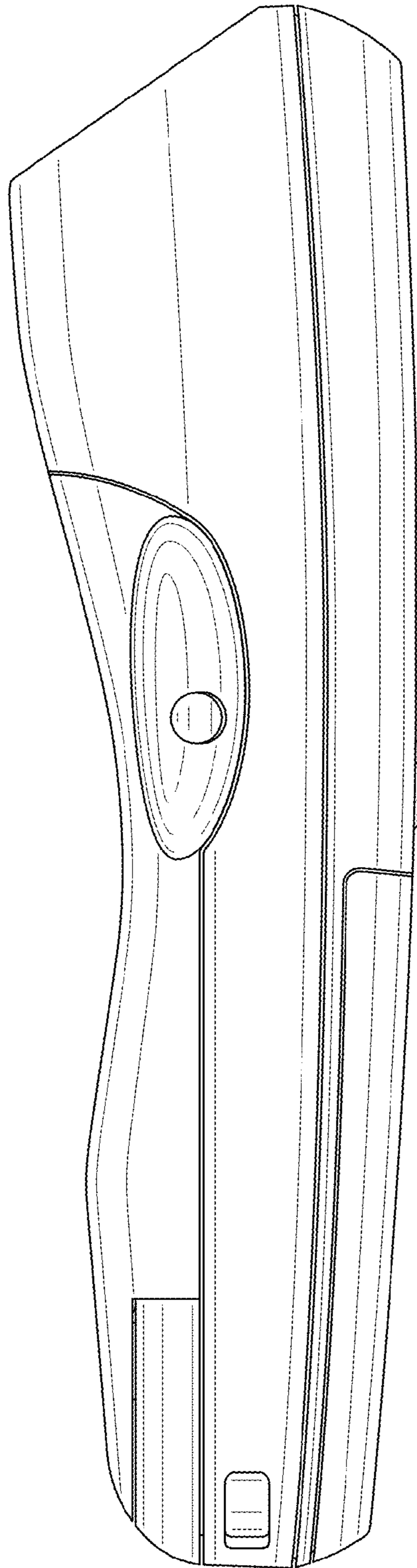


FIG. 4

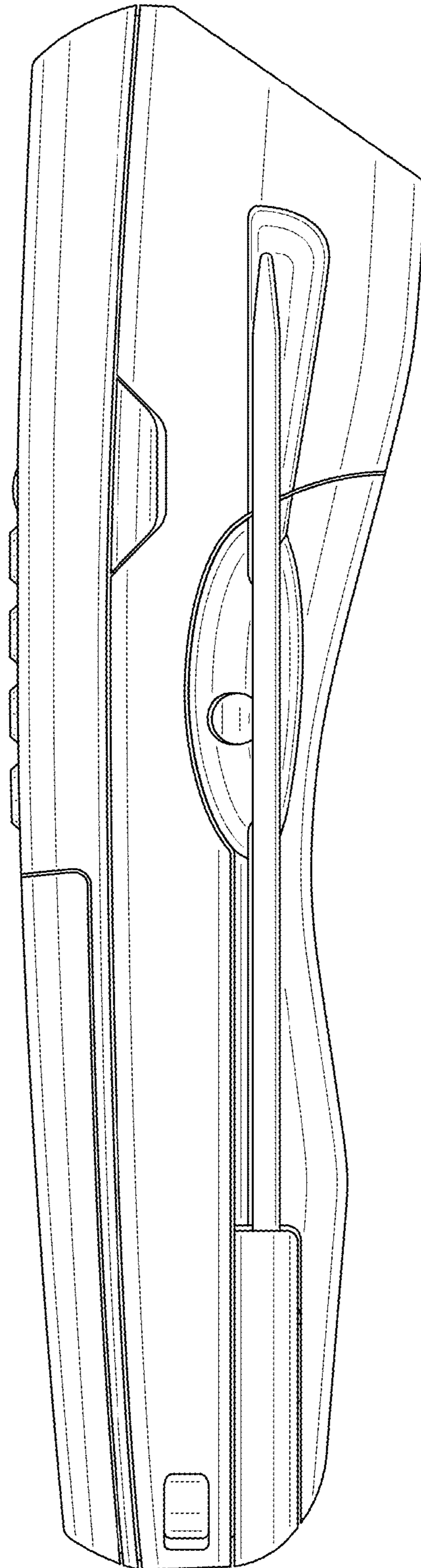


FIG. 5

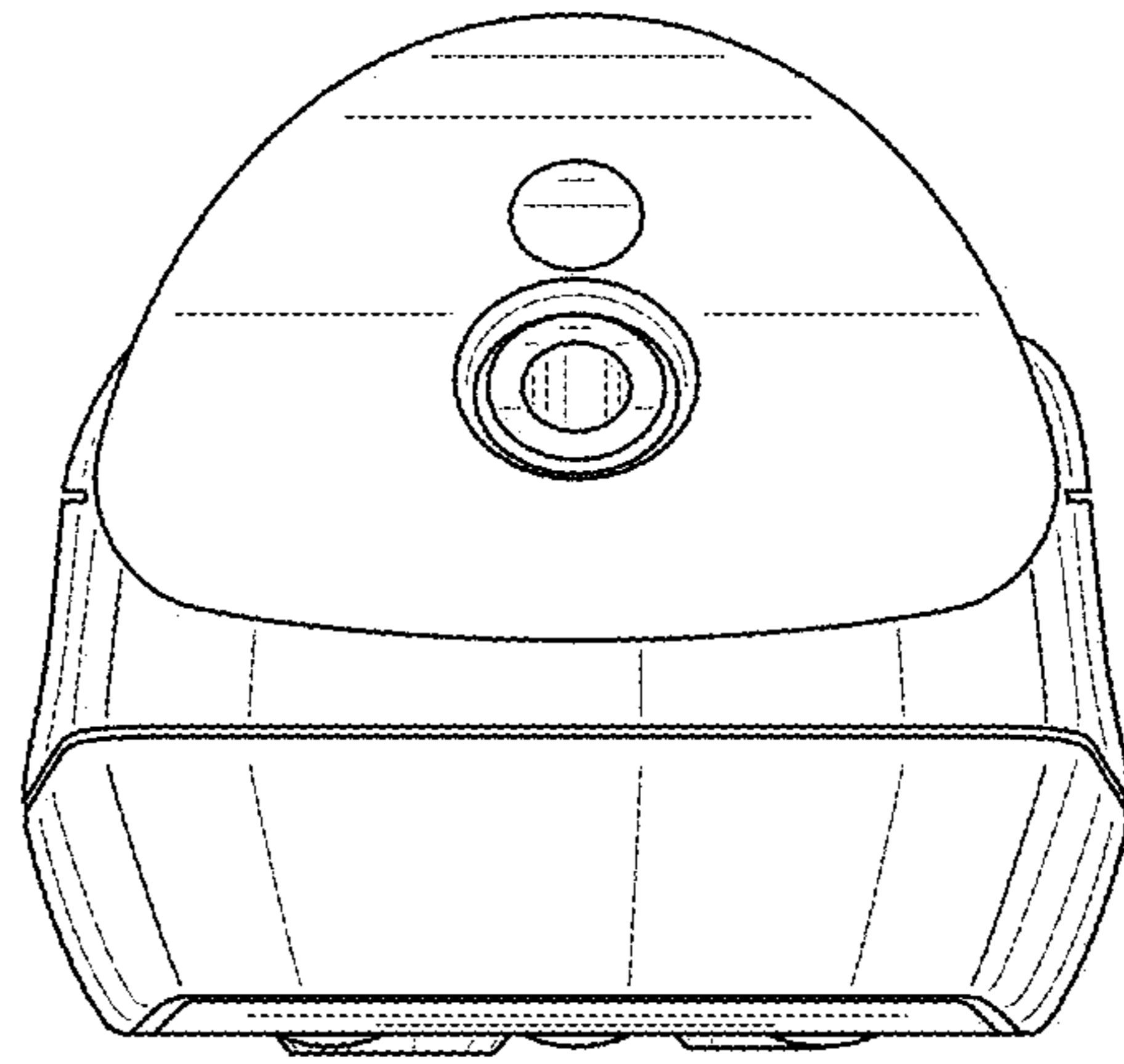


FIG. 6

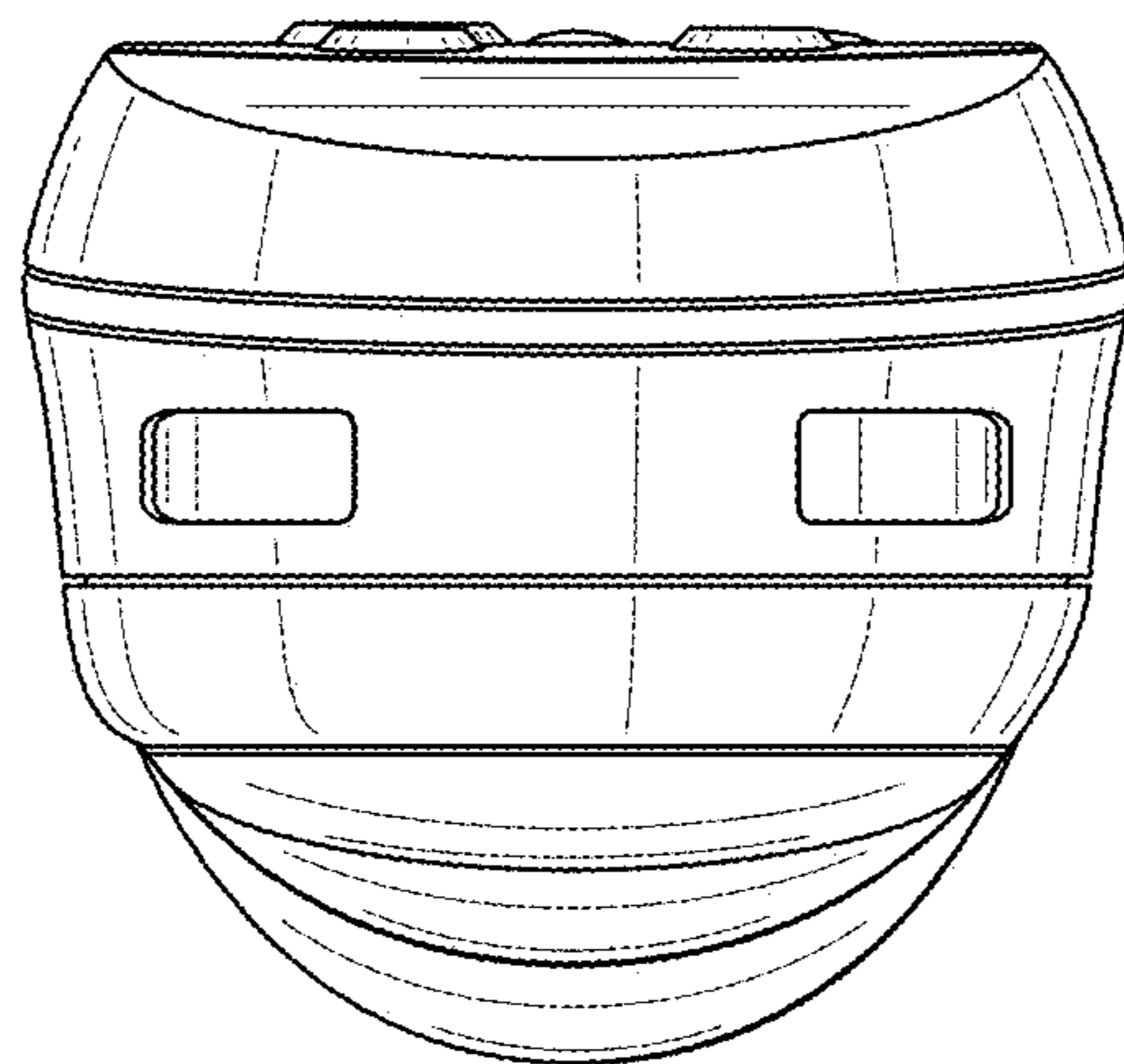


FIG. 7