



US00D689374S

(12) **United States Design Patent**  
**Logue**

(10) **Patent No.:** **US D689,374 S**

(45) **Date of Patent:** **\*\* Sep. 10, 2013**

(54) **BLISTER PACK**

(75) Inventor: **Anthony Thomas Logue**, Yowie Bay  
(AU)

(73) Assignee: **Logue and Co. Pty Ltd.**, Yowie Bay  
(AU)

(\*\*) Term: **14 Years**

(21) Appl. No.: **29/426,230**

(22) Filed: **Jul. 2, 2012**

(30) **Foreign Application Priority Data**

Feb. 1, 2012 (AU) ..... 10483/2012

(51) **LOC (9) Cl.** ..... **09-01**

(52) **U.S. Cl.**  
USPC ..... **D9/732**

(58) **Field of Classification Search**

USPC ..... D9/415, 416, 418, 419, 424, 425,  
D9/427, 428, 437, 501, 644, 653, 658, 736-762,  
D9/902; 206/365, 461-471, 484, 485, 486,  
206/493, 528, 531, 532, 534, 538, 539, 775-783;  
D24/121, 227, 229, 224; D7/538, 541, 546,  
D7/549, 553.6, 553.3, 557, 586, 628; D3/203.2,  
D3/203.3, 310, 309, 311, 312, 313; D26/9,  
D26/11, 22, 23, 39, 101

See application file for complete search history.

(56) **References Cited**

U.S. PATENT DOCUMENTS

D227,860	S	*	7/1973	Schuman	.....	D9/759
RE29,705	E	*	7/1978	Compere	.....	206/531
D421,900	S	*	3/2000	Eneroth et al.	.....	D9/732
D492,195	S	*	6/2004	Shabaz	.....	D9/737
D588,471	S	*	3/2009	Fluegel et al.	.....	D9/732
D594,753	S	*	6/2009	Eadicicco et al.	.....	D9/732
D597,418	S	*	8/2009	Stojek	.....	D9/732
D655,627	S	*	3/2012	Mehren et al.	.....	D9/732
D655,628	S	*	3/2012	Mehren et al.	.....	D9/732
8,162,141	B2	*	4/2012	Baker et al.	.....	206/461
2002/0104773	A1	*	8/2002	Kalvelage et al.	.....	206/538
2011/0100855	A1	*	5/2011	Shin et al.	.....	206/471

\* cited by examiner

*Primary Examiner* — Derrick Holland

*Assistant Examiner* — Lauren Calve

(74) *Attorney, Agent, or Firm* — Sughrue Mion, PLLC

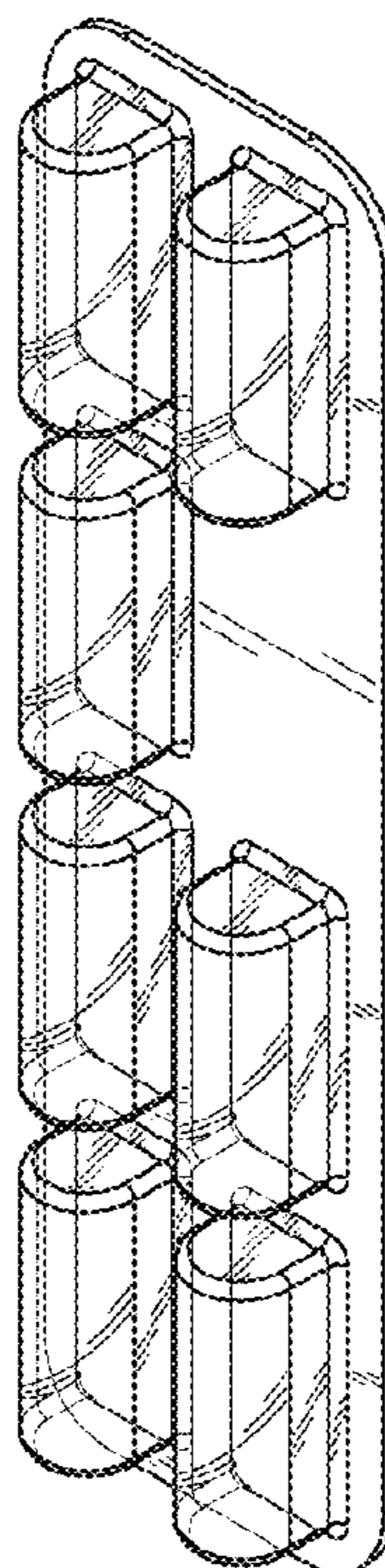
(57) **CLAIM**

The ornamental design for a blister pack, as shown and described.

**DESCRIPTION**

FIG. 1 is a front perspective view of the blister pack;  
FIG. 2 is a left side view of thereof;  
FIG. 3 is a right side view thereof;  
FIG. 4 is a front view thereof;  
FIG. 5 is a rear view thereof;  
FIG. 6 is a top view thereof; and,  
FIG. 7 is a bottom view thereof.

**1 Claim, 3 Drawing Sheets**



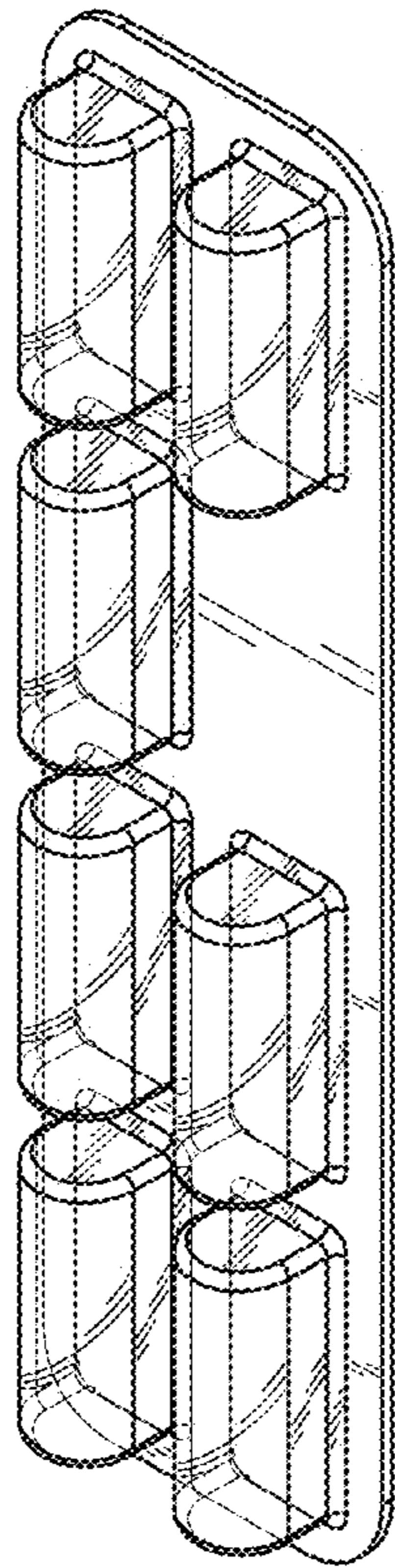


FIG. 1

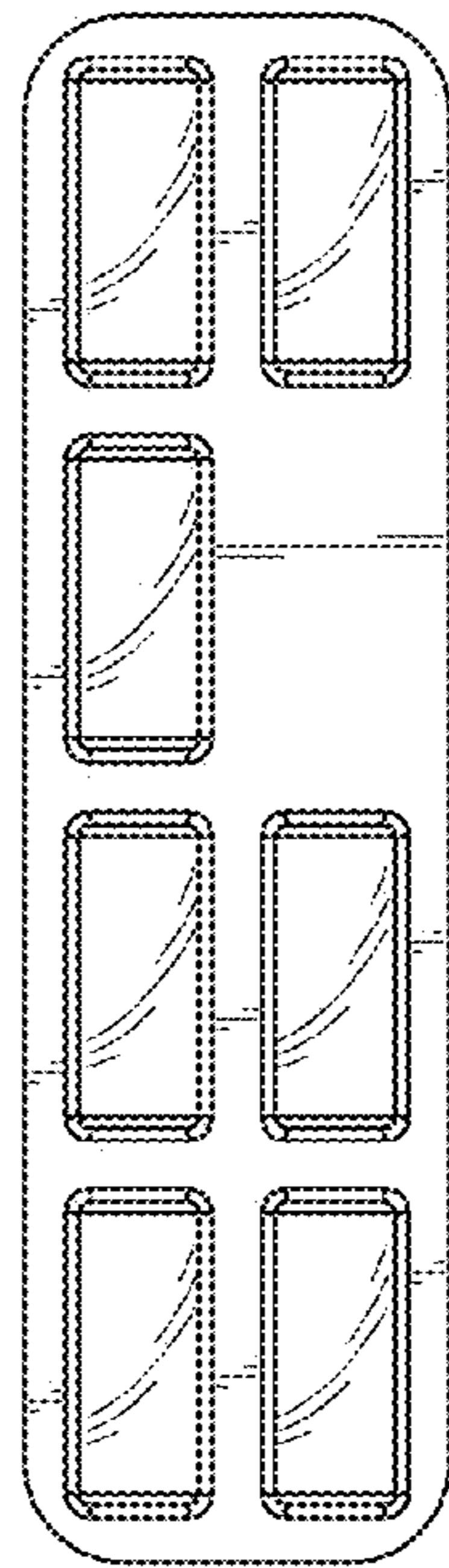


FIG. 2

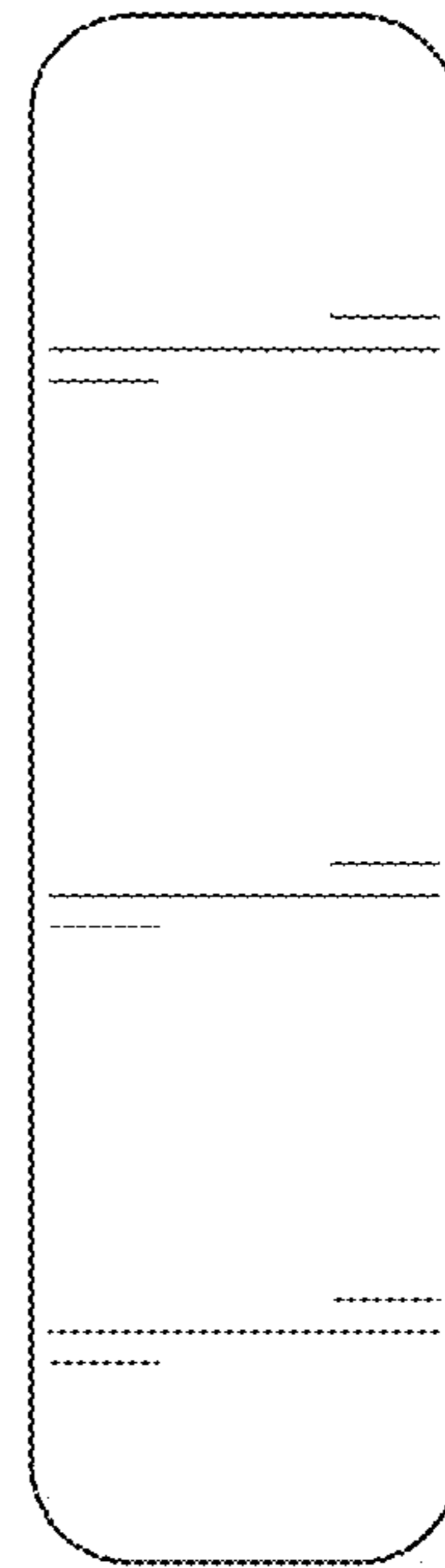


FIG. 3

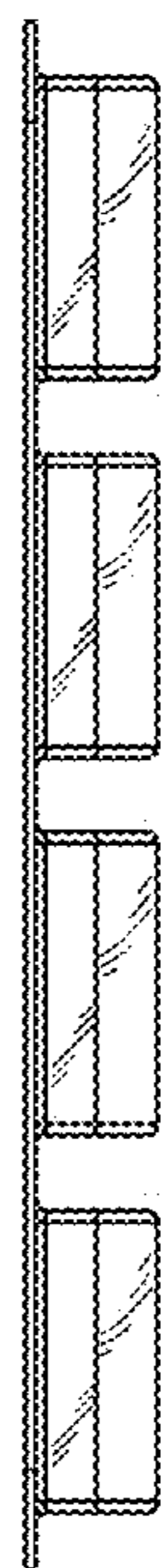


FIG. 4

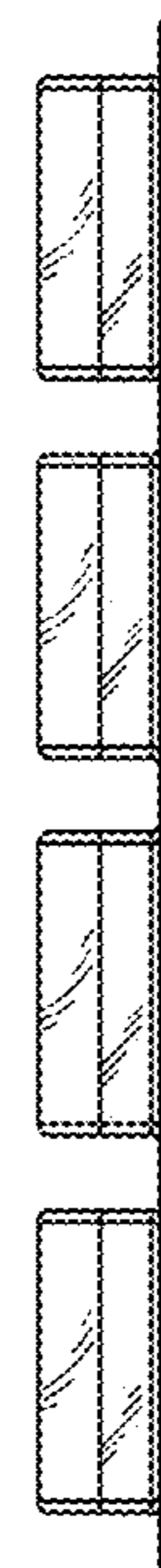


FIG. 5

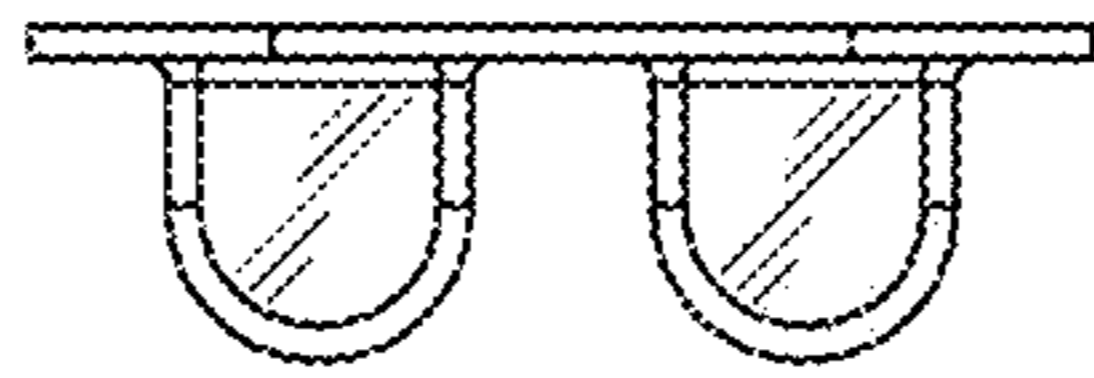


FIG. 6

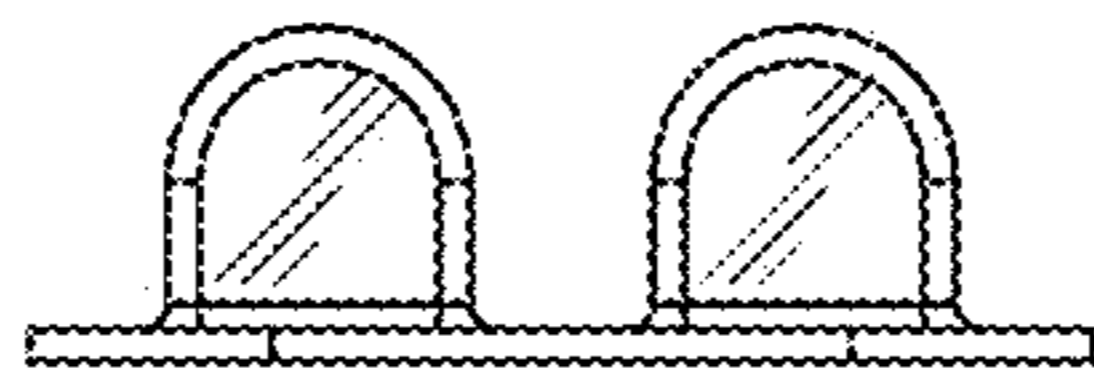


FIG. 7