



US00D689372S

(12) **United States Design Patent**
Kim

(10) **Patent No.:** **US D689,372 S**

(45) **Date of Patent:** **** Sep. 10, 2013**

(54) **SHIRT AND TIES ARRANGED IN A BOX**

(75) Inventor: **Cin Kim**, Alpine, NJ (US)

(73) Assignee: **Peacock Apparel Group, Inc.**, New York, NY (US)

(**) Term: **14 Years**

(21) Appl. No.: **29/428,013**

(22) Filed: **Jul. 25, 2012**

Related U.S. Application Data

(62) Division of application No. 29/411,258, filed on Jan. 18, 2012, now abandoned, which is a division of application No. 29/326,598, filed on Oct. 21, 2008, now Pat. No. Des. 660,721.

(51) **LOC (9) Cl.** **09-01**

(52) **U.S. Cl.**
USPC **D9/721**

(58) **Field of Classification Search**
USPC D9/414, 715, 721; D2/605, 607, D2/840, 847, 849; 206/769-772; 229/87.15, 229/160, 161, 107, 120.02, 120.06, 12.08
See application file for complete search history.

(56) **References Cited**

U.S. PATENT DOCUMENTS

| | | | | |
|-----------|-----|---------|---------------|---------|
| 698,266 | A | 4/1902 | Elliott | |
| 1,189,322 | A * | 7/1916 | Way et al. | 206/771 |
| 1,862,353 | A | 6/1932 | Allison | |
| 2,063,255 | A | 12/1936 | Madsen et al. | |
| 2,233,207 | A | 2/1941 | Gillam | |
| 3,043,494 | A | 7/1962 | Moore | |
| 3,066,792 | A | 12/1962 | Spilman | |
| 3,346,881 | A | 10/1967 | Mathison | |
| 3,363,264 | A | 1/1968 | Mathison | |
| 3,511,364 | A | 5/1970 | Airido | |
| 3,670,881 | A | 6/1972 | Dutcher | |
| 4,046,253 | A | 9/1977 | Weaver | |

| | | | | |
|-----------|-----|---------|-----------------|--------|
| 4,173,792 | A | 11/1979 | Intengan | |
| 4,182,224 | A | 1/1980 | Dutcher | |
| D261,479 | S | 10/1981 | Marks | |
| 4,762,272 | A | 8/1988 | Herrin | |
| 4,856,709 | A | 8/1989 | Axelsson et al. | |
| 4,933,991 | A | 6/1990 | Love | |
| D337,269 | S * | 7/1993 | Grieco | D9/418 |

(Continued)

OTHER PUBLICATIONS

U.S. Appl. No. 12/171,574, filed Jul. 11, 2008, Kim.

(Continued)

Primary Examiner — Dominic Simone

(74) *Attorney, Agent, or Firm* — Leason Ellis LLP

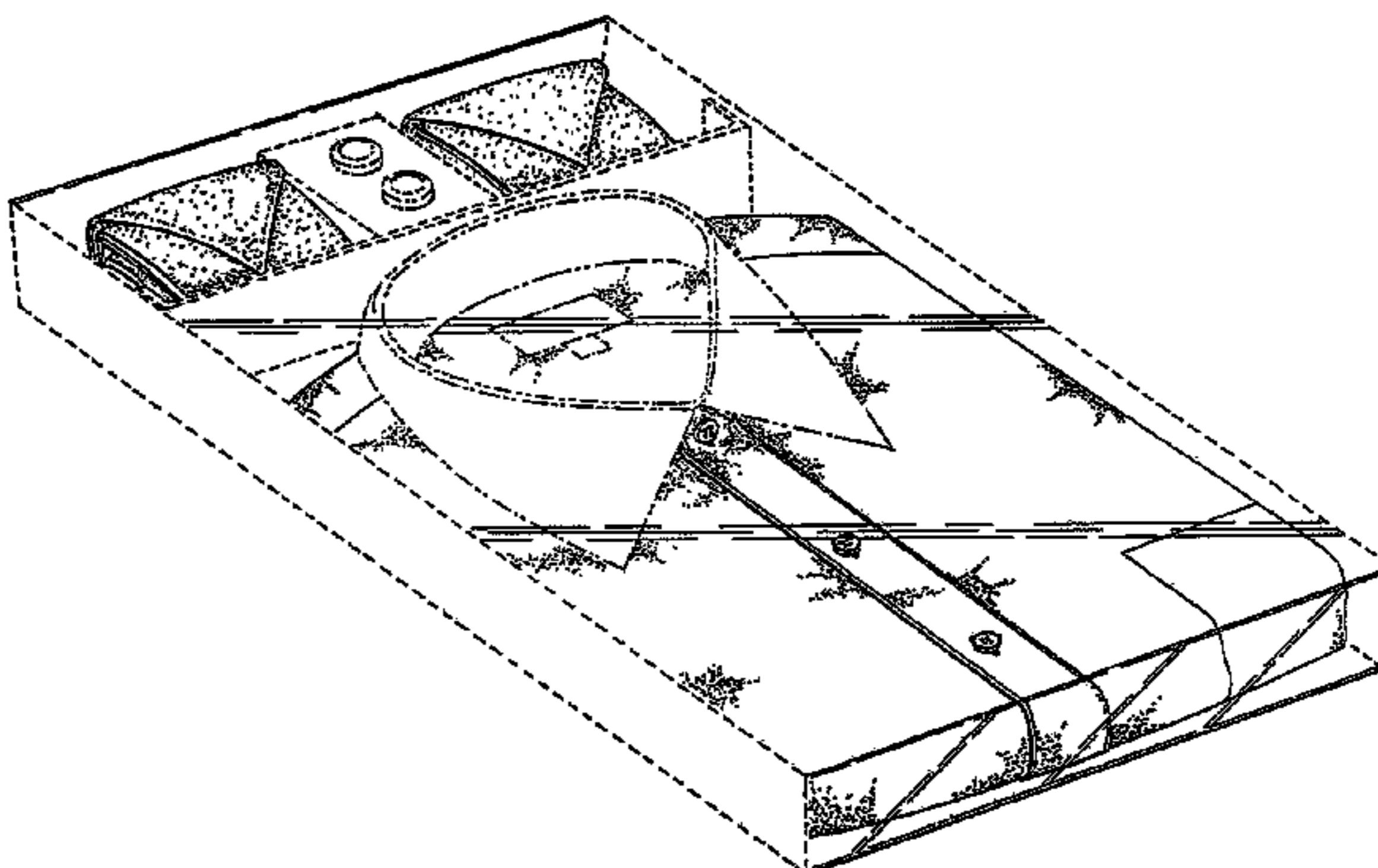
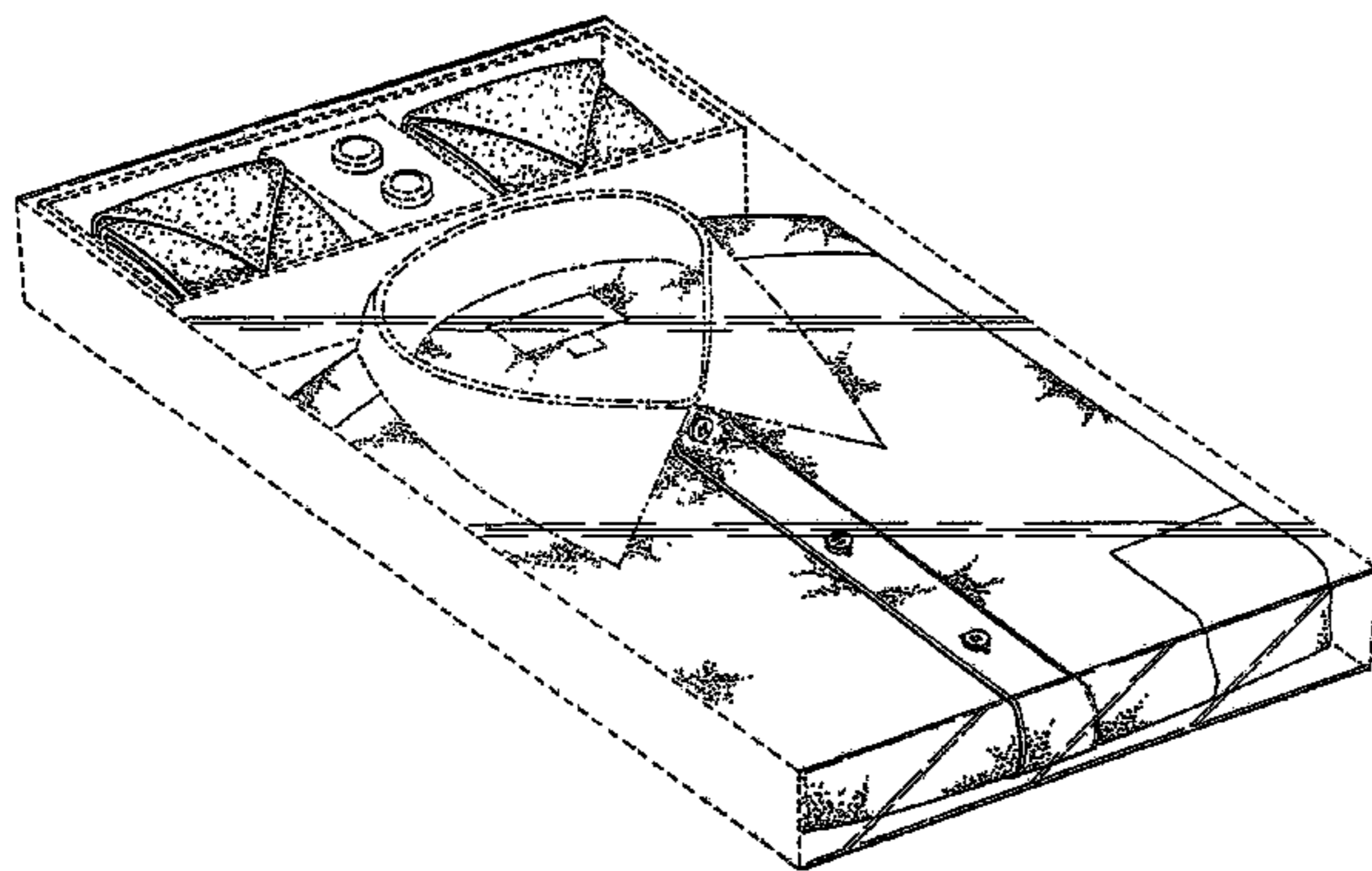
(57) **CLAIM**

The ornamental design for a shirt and ties arranged in a box, as shown and described.

DESCRIPTION

FIG. 1 is a top, front and side perspective view of a shirt and ties arranged in a box showing my new design according to one arrangement;
FIG. 2 is a top plan view thereof;
FIG. 3 is a front elevation view thereof;
FIG. 4 is a rear elevation view thereof;
FIG. 5 is a bottom plan view thereof;
FIG. 6 is a top, front and side perspective view of a shirt and ties arranged in a box showing my new design according to another arrangement;
FIG. 7 is a top plan view thereof;
FIG. 8 is a front elevation view thereof;
FIG. 9 is a rear elevation view thereof; and,
FIG. 10 is a bottom plan view thereof.
The broken lines of FIGS. 1-10 are for illustrative purposes only and form no part of the claimed design. All sides not shown form no part of the claimed design.

1 Claim, 6 Drawing Sheets



(56)

References Cited

U.S. PATENT DOCUMENTS

D339,523 S * 9/1993 Bennett D9/418
 D343,356 S 1/1994 Wittman
 D346,960 S * 5/1994 Bennett D9/418
 5,316,139 A 5/1994 Judd et al.
 D349,181 S 8/1994 Cheng
 5,499,484 A 3/1996 Herrin
 D368,588 S 4/1996 Goraleski et al.
 5,549,243 A 8/1996 Dorier et al.
 5,673,434 A 10/1997 Risk
 D390,339 S 2/1998 Dipietro
 6,041,998 A 3/2000 Goldberg et al.
 6,142,365 A 11/2000 Breitbach
 6,460,189 B1 10/2002 Welch
 D492,595 S 7/2004 Chang
 7,096,509 B2 8/2006 Kim
 7,114,220 B2 10/2006 Kim
 D546,674 S 7/2007 Limber
 D553,495 S 10/2007 Vandecasteele et al.
 7,310,857 B2 12/2007 Kim
 D565,965 S * 4/2008 Kim D9/721
 D565,966 S * 4/2008 Kim D9/721
 D574,722 S * 8/2008 Kim D9/721
 D574,723 S * 8/2008 Kim D9/721
 D574,724 S * 8/2008 Kim D9/721
 D574,725 S * 8/2008 Kim D9/721
 D574,726 S * 8/2008 Kim D9/721
 D574,727 S * 8/2008 Kim D9/721
 D574,728 S * 8/2008 Kim D9/721
 D574,729 S * 8/2008 Kim D9/721

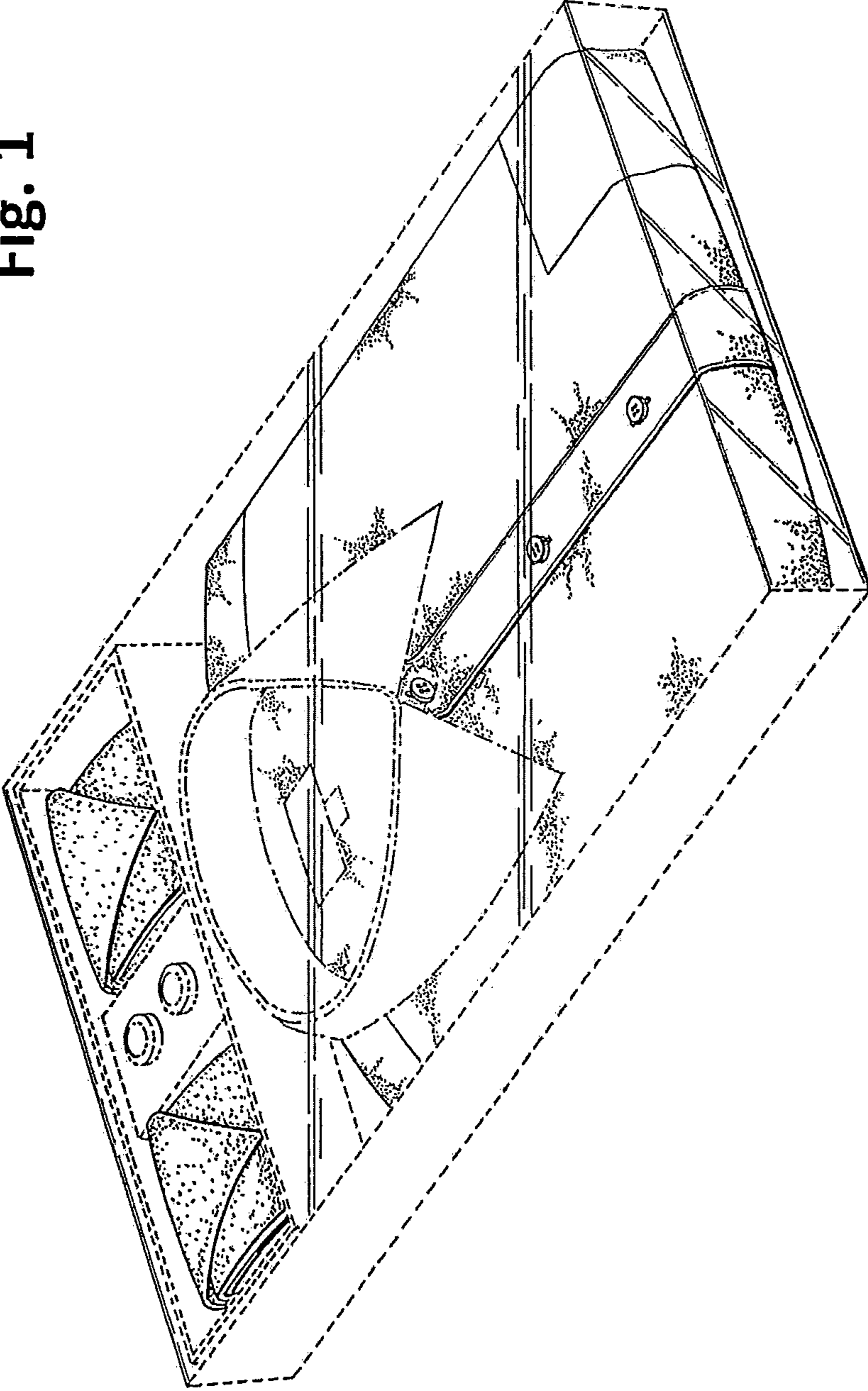
D574,730 S * 8/2008 Kim D9/721
 D589,364 S * 3/2009 Kim D9/721
 D589,365 S * 3/2009 Kim D9/721
 D589,366 S * 3/2009 Kim D9/721
 D589,367 S * 3/2009 Kim D9/721
 D590,724 S * 4/2009 Kim D9/721
 D593,872 S * 6/2009 Kim D9/721
 D593,873 S * 6/2009 Kim D9/721
 D595,151 S * 6/2009 Kim D9/721
 D606,883 S * 12/2009 Kim D9/721
 D608,657 S * 1/2010 Kim D9/721
 D626,430 S * 11/2010 Kim D9/721
 2007/0062846 A1 3/2007 Kim

OTHER PUBLICATIONS

U.S. Appl. No. 29/318,152, filed May 14, 2008, Kim.
 U.S. Appl. No. 29/318,279, filed May 16, 2008, Kim.
 U.S. Appl. No. 29/318,283, filed May 16, 2008, Kim.
 U.S. Appl. No. 29/320,041, filed Jun. 19, 2008, Kim.
 U.S. Appl. No. 29/322,262, filed Jul. 31, 2008, Kim.
 U.S. Appl. No. 29/322,265, filed Jul. 31, 2008, Kim.
 U.S. Appl. No. 29/322,584, filed Aug. 7, 2008, Kim.
 U.S. Appl. No. 29/322,588, filed Aug. 7, 2008, Kim.
 U.S. Appl. No. 29/322,589, filed Aug. 7, 2008, Kim.
 U.S. Appl. No. 29/326,116, filed Oct. 13, 2008, Kim.
 U.S. Appl. No. 29/326,117, filed Oct. 13, 2008, Kim.
 U.S. Appl. No. 29/325,195, filed Sep. 26, 2008, Kim.
 U.S. Appl. No. 29/325,199, filed Sep. 26, 2008, Kim.

* cited by examiner

Fig. 1



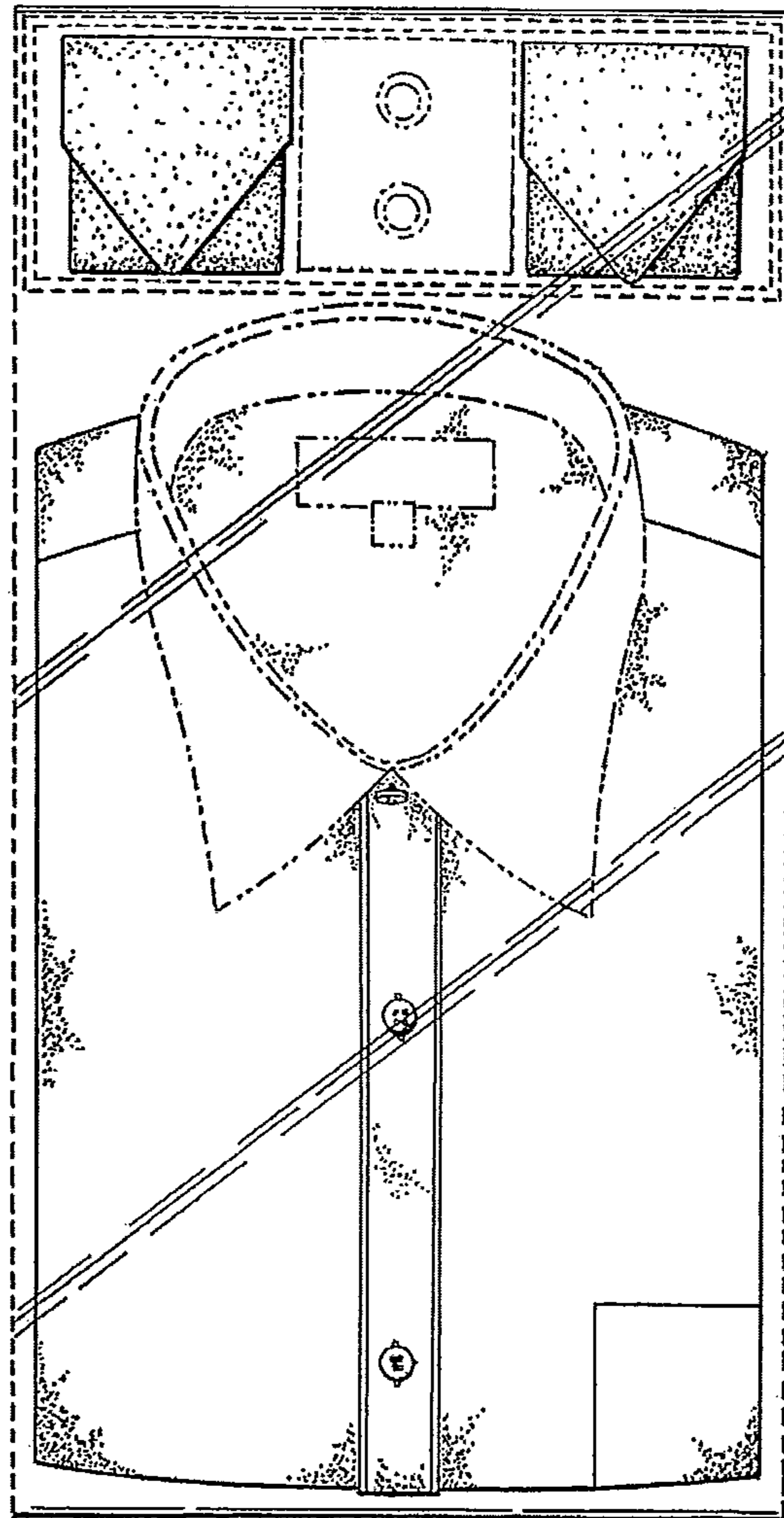


Fig. 2

Fig. 3



Fig. 4

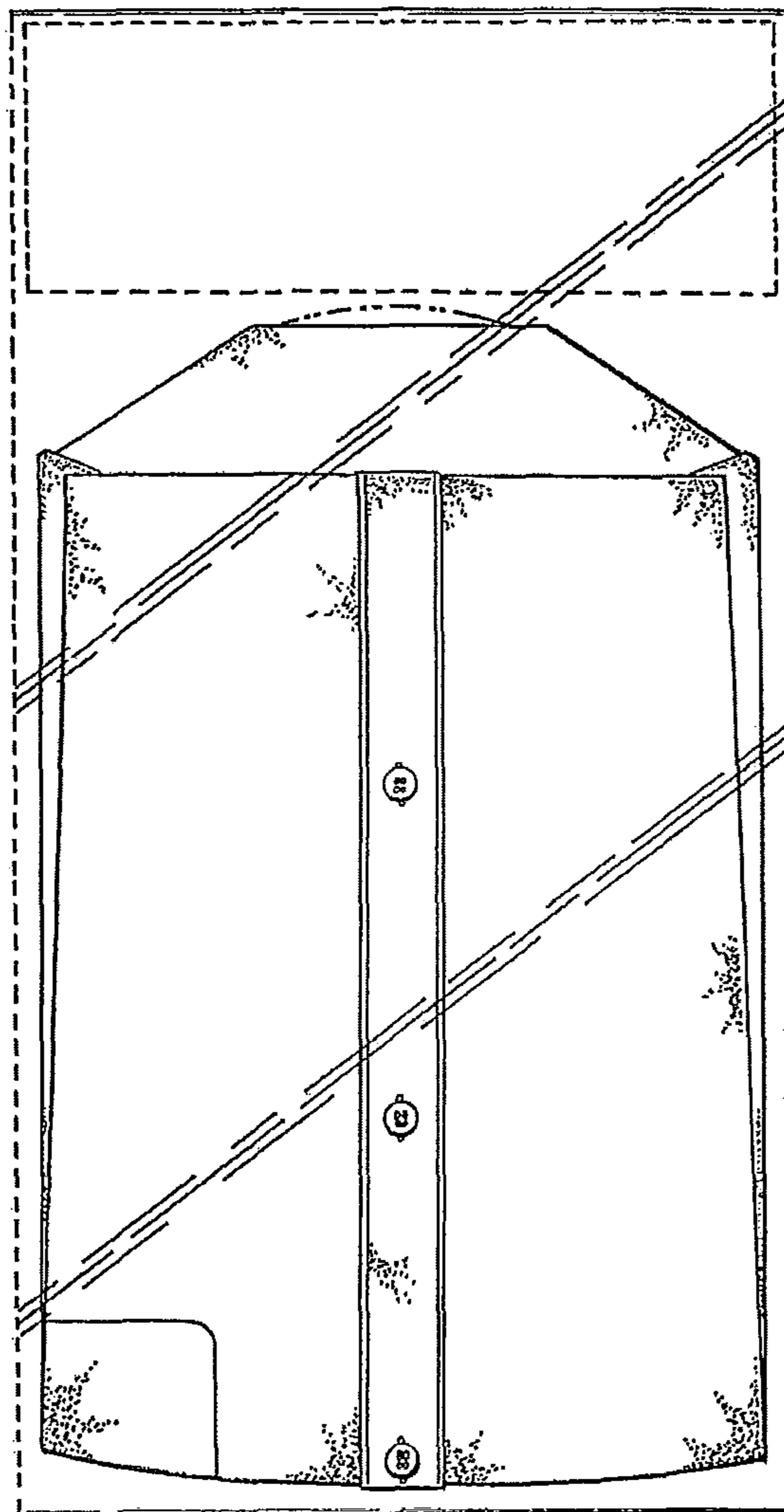
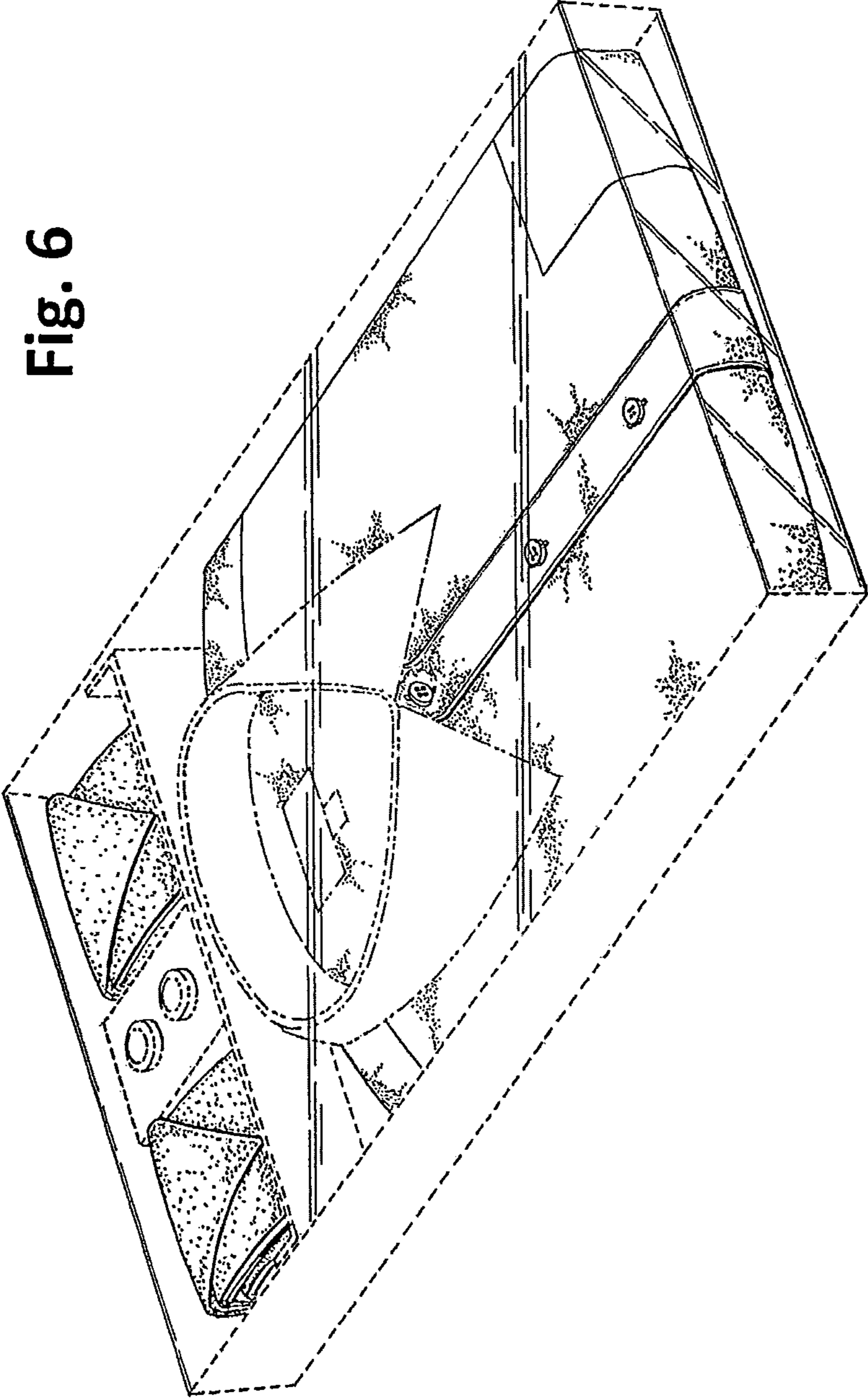


Fig. 5

Fig. 6



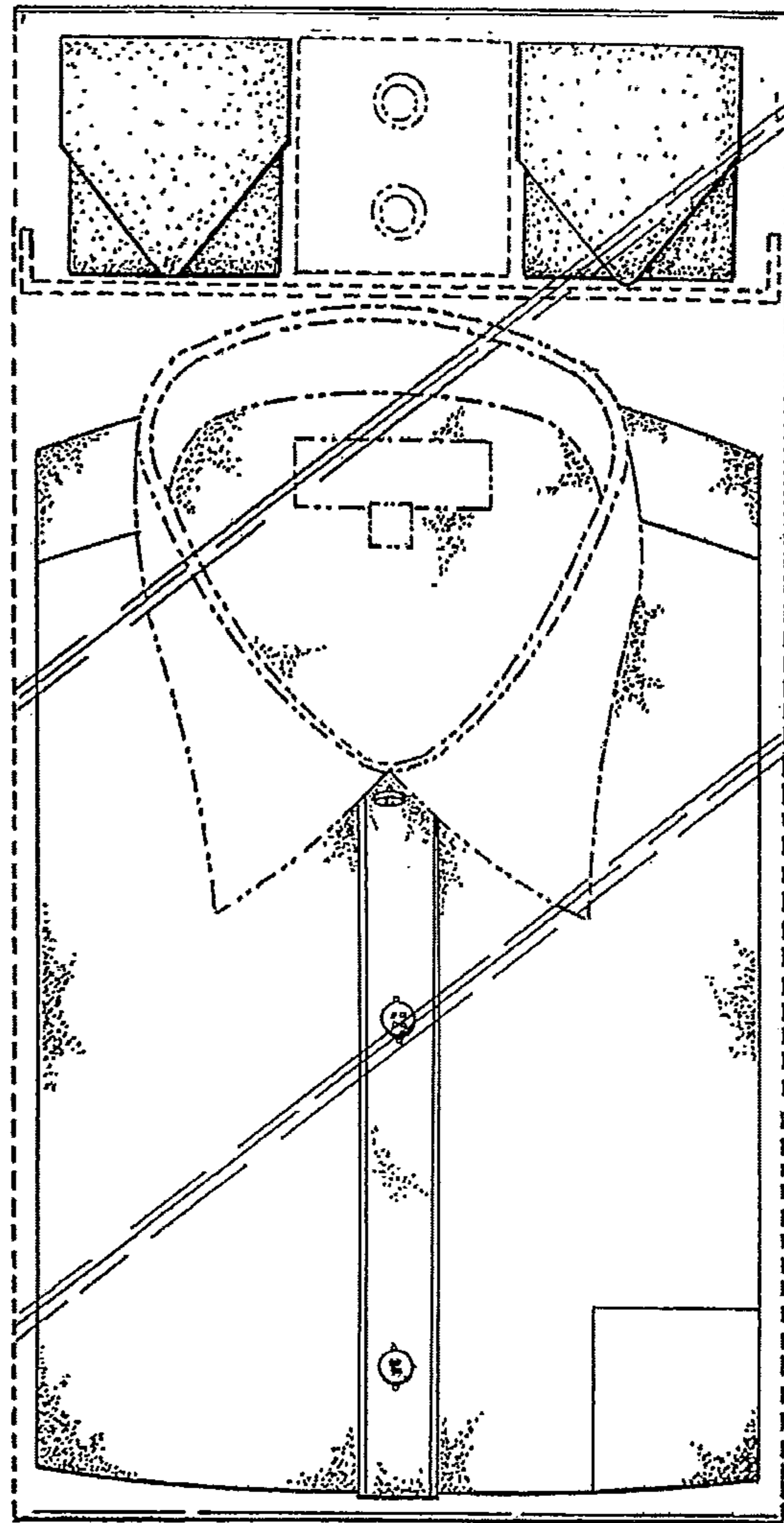


Fig. 7

Fig. 8



Fig. 9

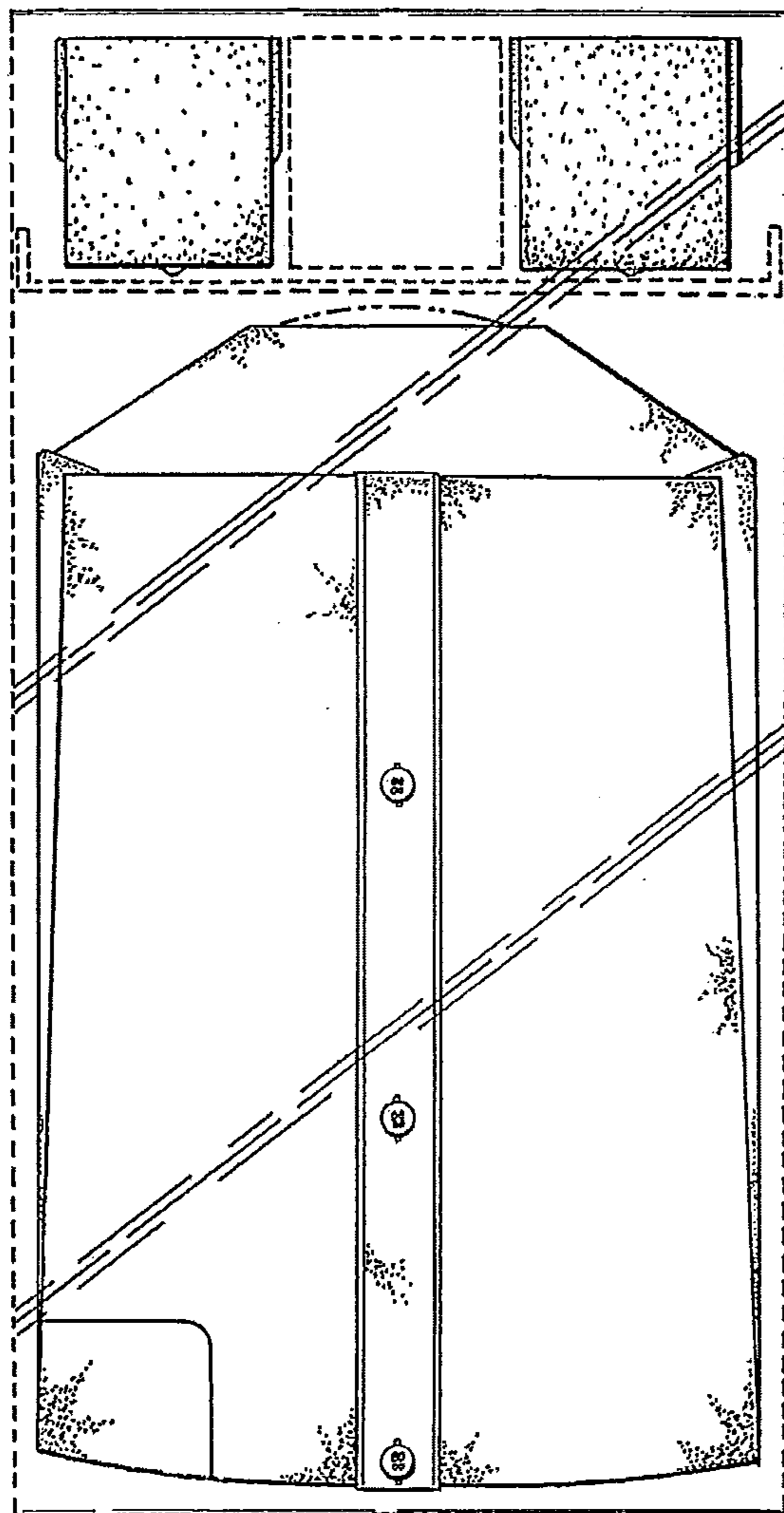


Fig. 10